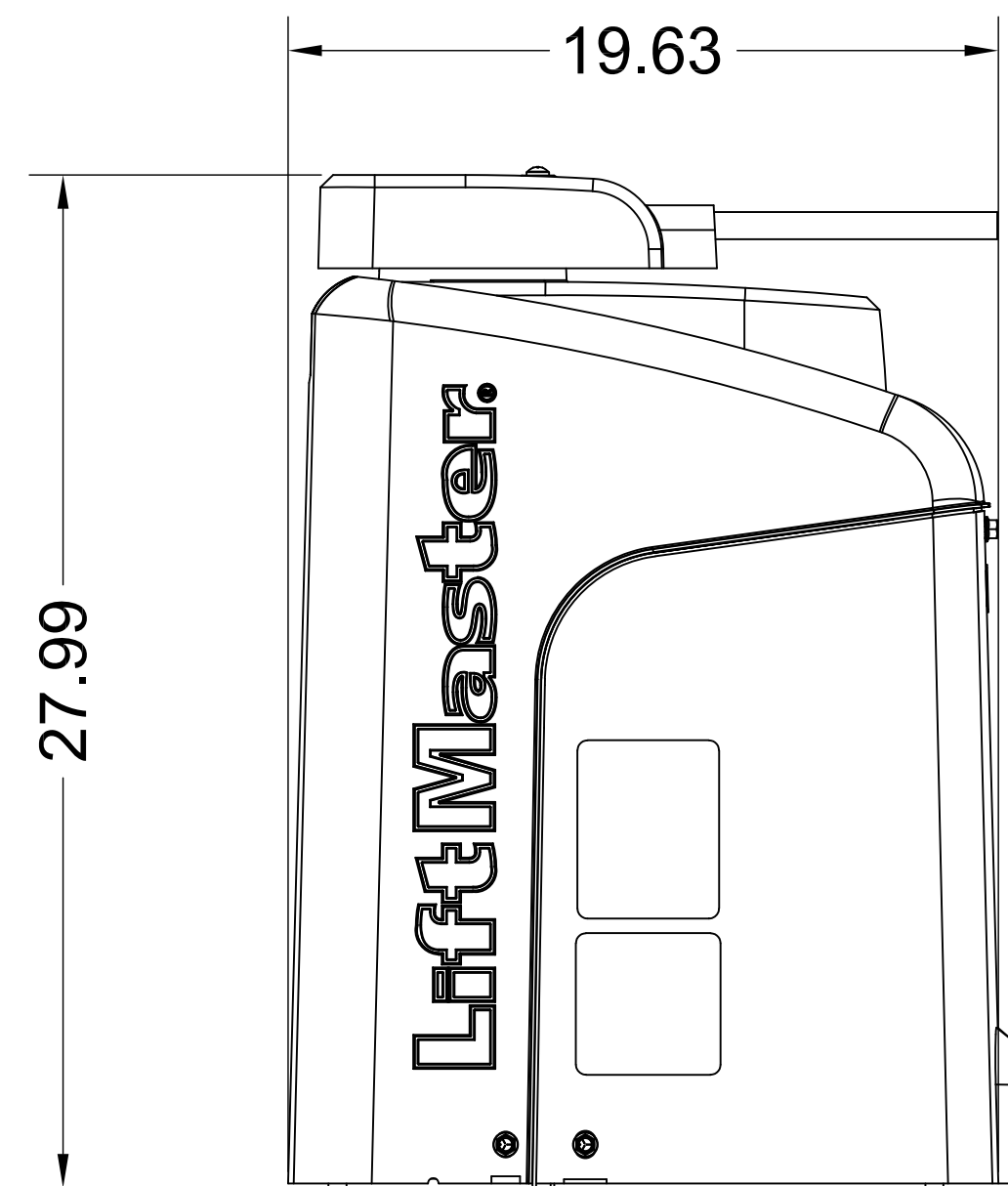
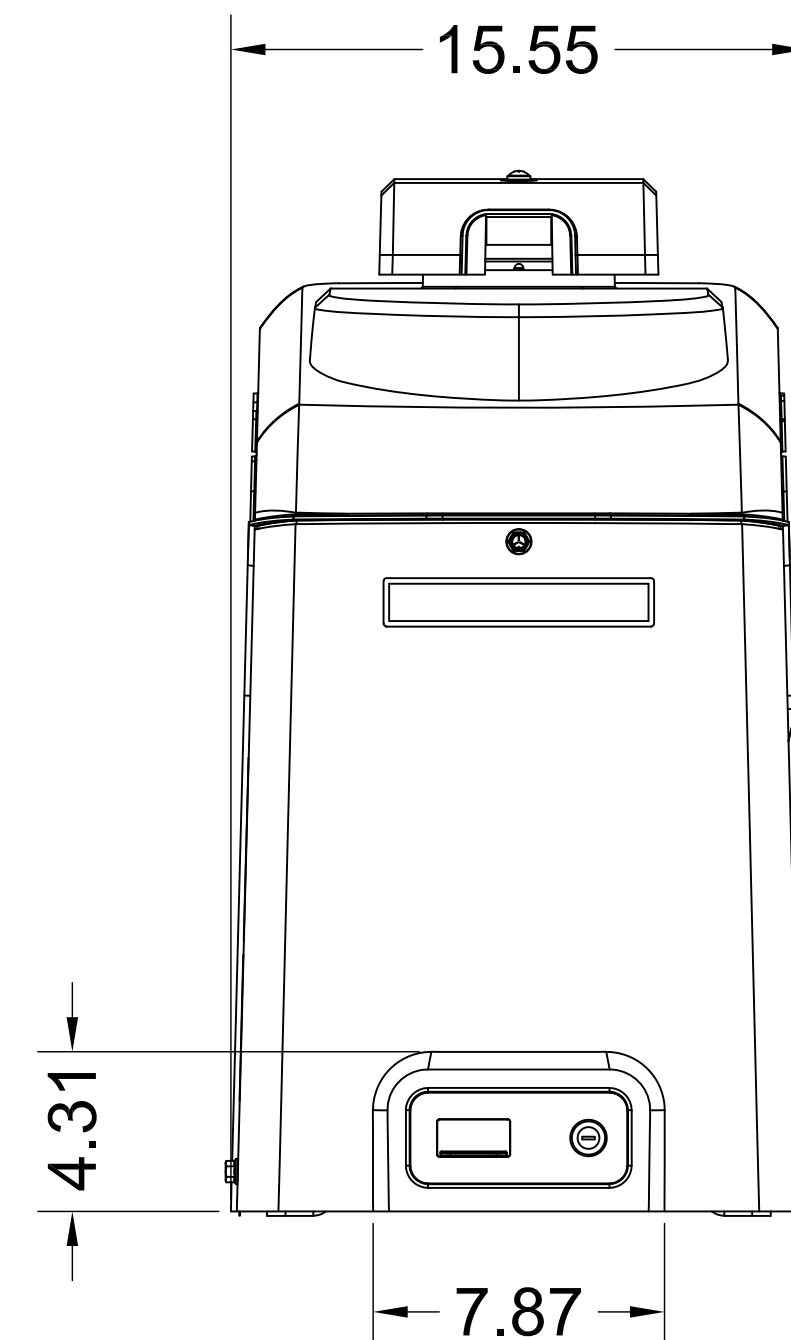


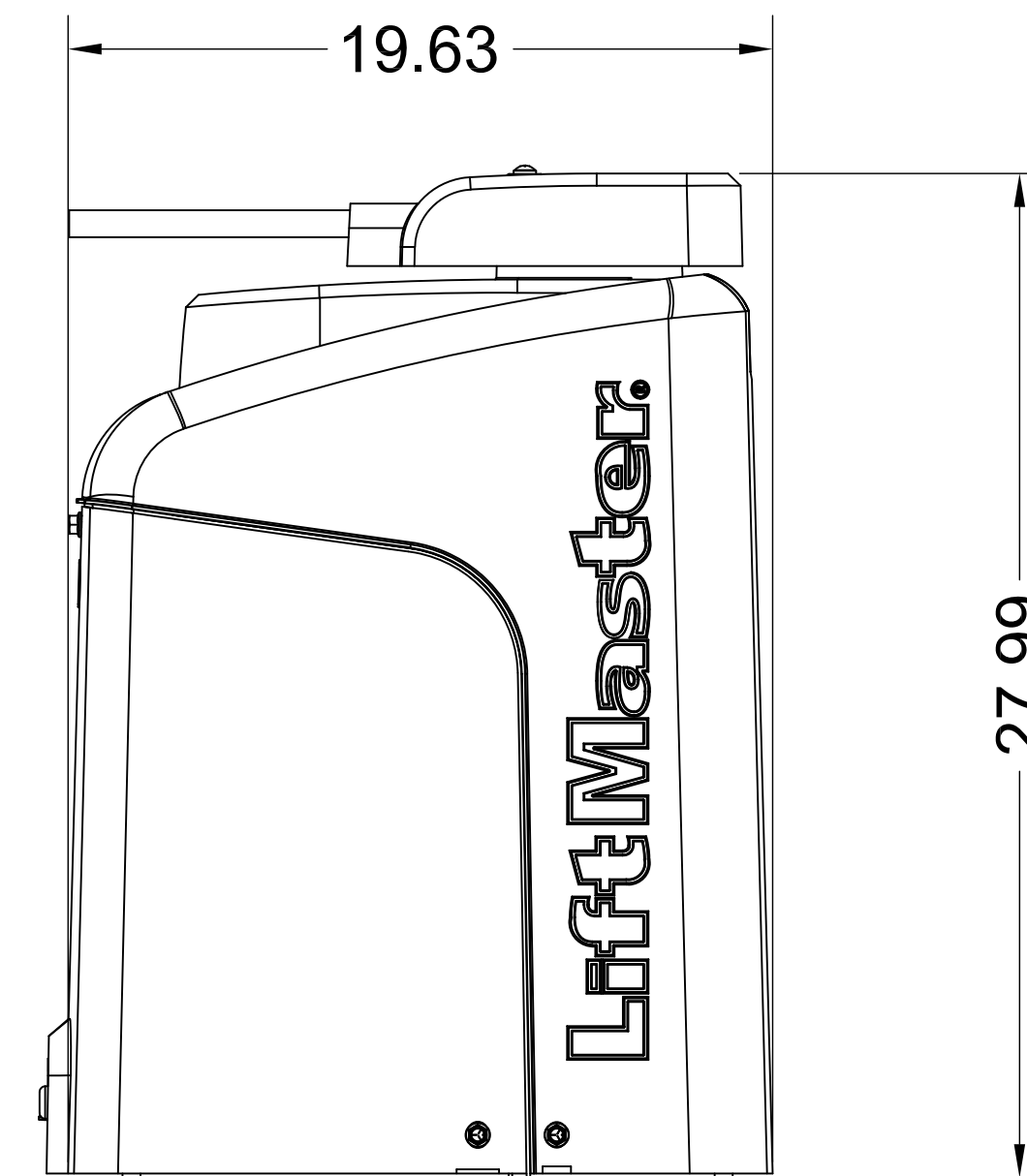
TOP VIEW



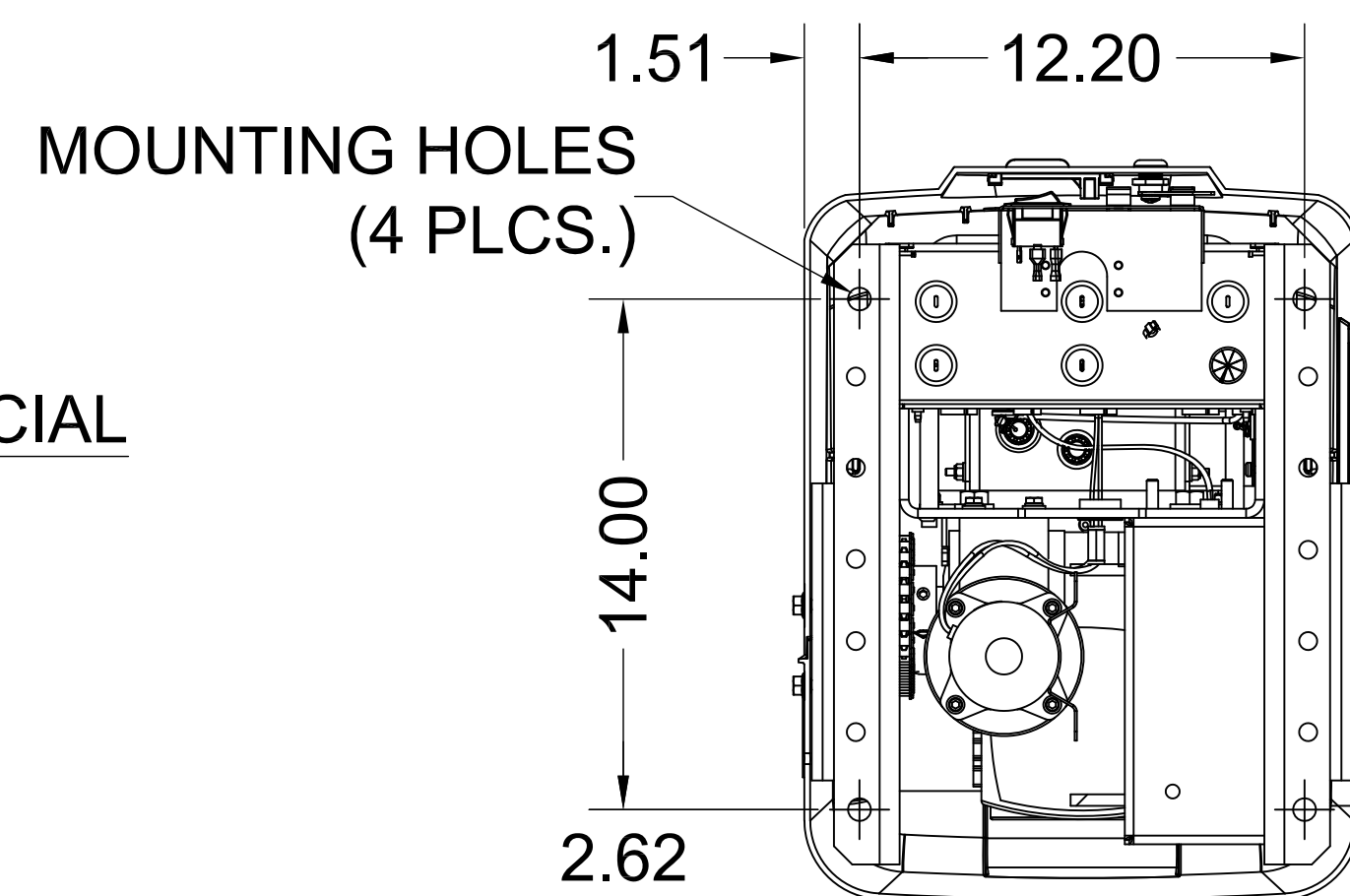
LEFT VIEW



FRONT VIEW



RIGHT VIEW



BOTTOM VIEW

(RSW12U) 12VDC RESIDENTIAL LIGHT COMMERCIAL SWING GATE OPERATOR

LiftMaster[®]

LIFTMASTER (CHAMBERLAIN GROUP, INC.)
ENGINEERED SERVICES

300 WINDSOR DR.
OAK BROOK, IL 60523
PHONE: (630) 418-6516
FAX: (630) 516-7059

DRW. BY: B. MOFFETT

REVISION:

DATE: 07/12/2019

SCALE: NTS

TITLE: RSW12U SWING GATE OPERATOR

CAD FILE: -

SHEET NO:

1/1