

1

2

3

4

5

6

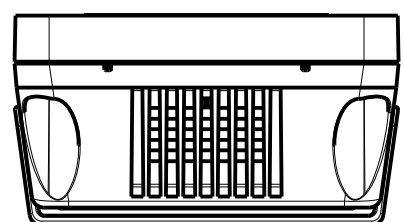
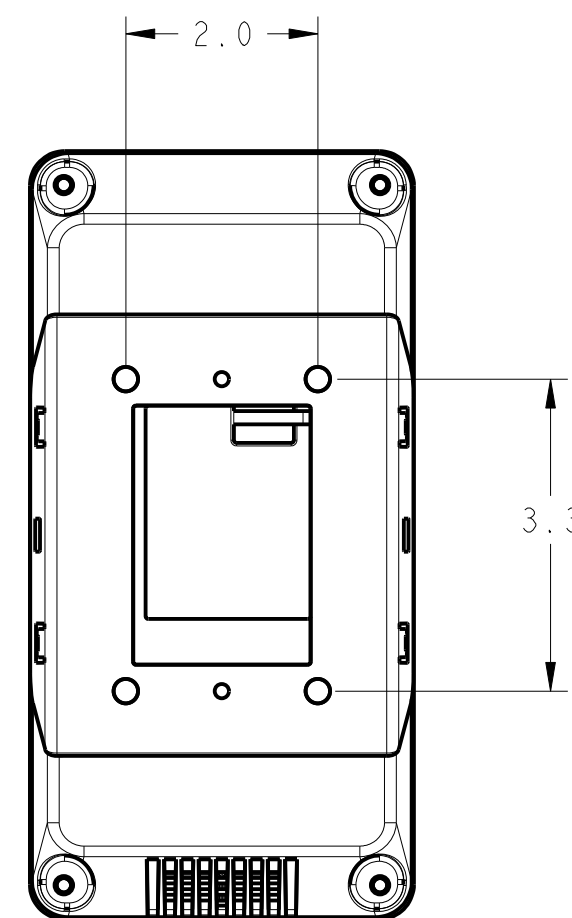
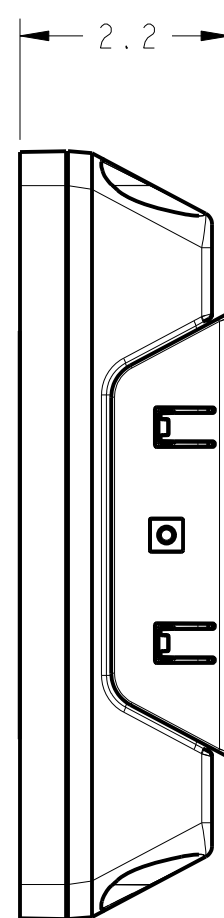
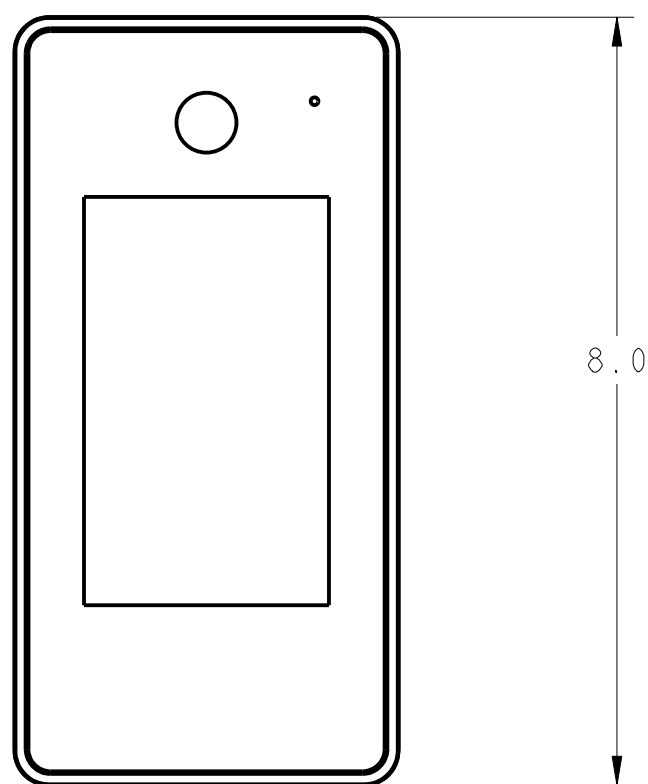
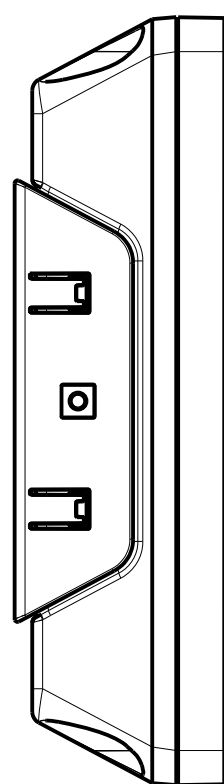
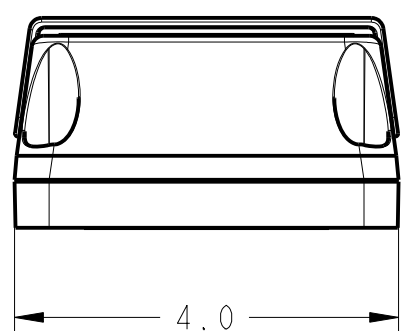
7

8

9

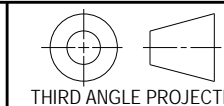
10

NUMBER: 003-0174_ARCH		SHT 1 of 1	.0
ECN/DATE	BY	REVISIONS	REV
XXXXXX	xxx	INITIAL RELEASE	A



STATISTICAL PROCESS CONTROL LEVELS		
NO. OF APPL. DIMS:	ST	MNR = MINOR = CpK 1.00
	ST	MR = MAJOR = CpK 1.33
	ST	CRT = CRITICAL = CpK 1.67
	TBD	

INTERPRET ALL DIMENSIONS AND TOLERANCES PER ASME Y14.5-2009



NAME
Architecture, CAPXS

MATERIAL
SEE NOTES

FINISH
NONE

DRAWN BY AND DATE
25-Feb-22 11:17:40 AM

SCALE
0.50

NUMBER
003-0174_ARCH

SHEET
1 of 1

VERSION
.0

CONFIDENTIAL
THIS DRAWING, ANY INFORMATION CONTAINED HEREIN, AND ANY ASSOCIATED DATA AND MATERIALS (COLLECTIVELY, "INFORMATION") IS THE SOLE AND EXCLUSIVE PROPERTY OF, AND IS PROPRIETARY TO, THE CHAMBERLAIN GROUP, INC. THIS INFORMATION MAY NOT BE REPRODUCED, COPIED, MODIFIED, DISCLOSED, TRANSFERRED OR MADE AVAILABLE TO OTHERS IN WHOLE OR IN PART, WITHOUT THE PRIOR EXPRESS WRITTEN CONSENT OF CHAMBERLAIN.

TOLERANCES EXCEPT AS NOTED: (IN)
±0.01 .00 DECIMAL
±0.005 .000 DECIMAL
±1.0° ON ANGLES
±0.003 ON HOLES

THIS IS A COMPUTER GENERATED DRAWING
DO NOT CHANGE THIS DOCUMENT WITHOUT
UPDATING THE COMPUTER DATABASE

THIS COPY
ISSUED: