

(SD) LOGIC 5 OPERATOR

OPERATOR DIMENSION TABLE

HP	PHASE	DIMENSIONS		
		A	B	C
1/2	1	10-13/16"	13-7/16"	(NOTE 2)
3/4	1	11-15/32"	13-27/32"	(NOTE 2)
1	1	11-7/8"	14-15/16"	(NOTE 2)
1/2	3	11-5/16"	13-15/16"	(NOTE 2)
*1/2	3	10-3/4"	13-3/8"	(NOTE 2)
3/4	3	11-5/16"	13-15/16"	(NOTE 2)
*3/4	3	11-1/4"	13-7/8"	(NOTE 2)
1	3	11-5/16"	13-15/16"	(NOTE 2)
*1	3	11-13/16"	14-7/16"	(NOTE 2)

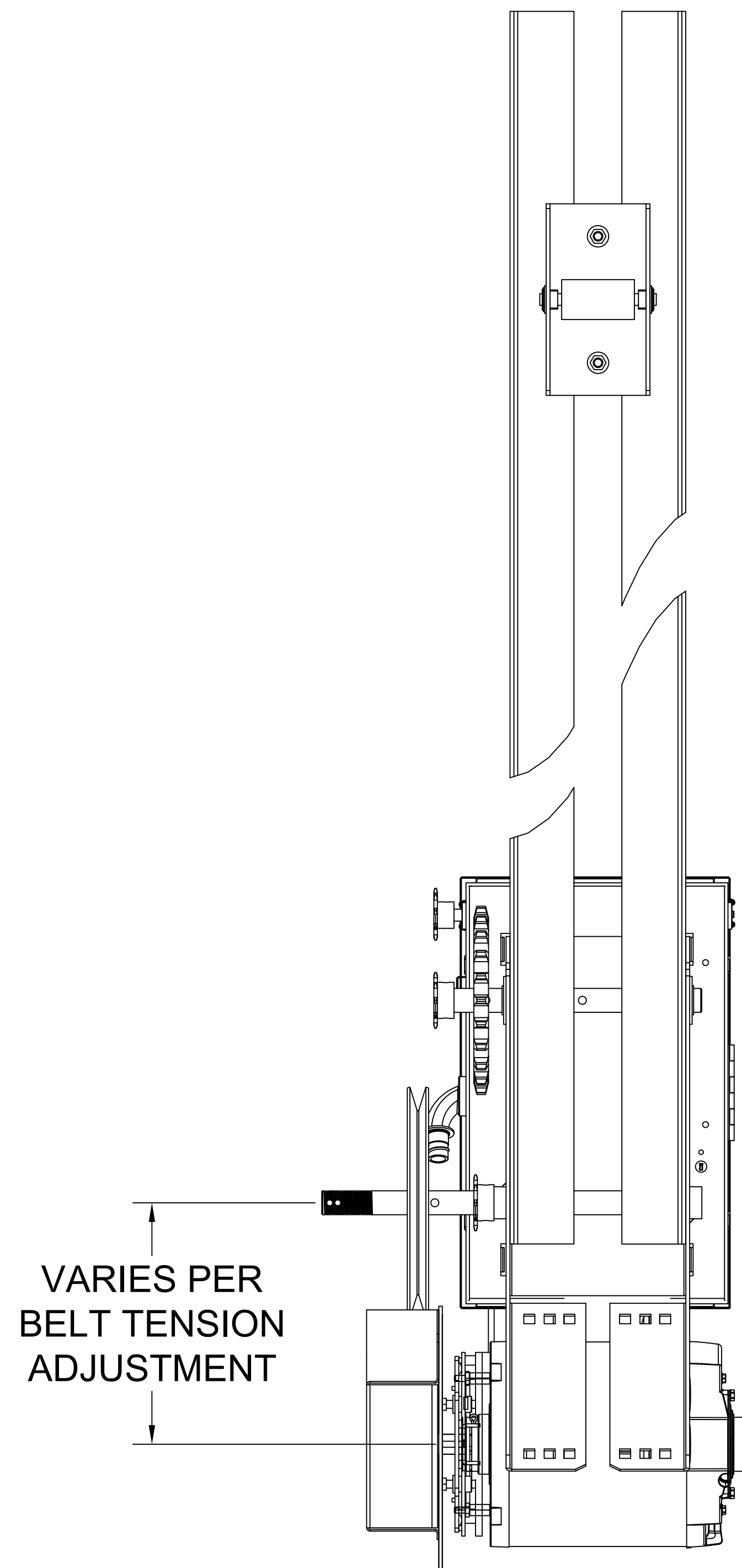
* MOTORS USING 575V.

NOTES:

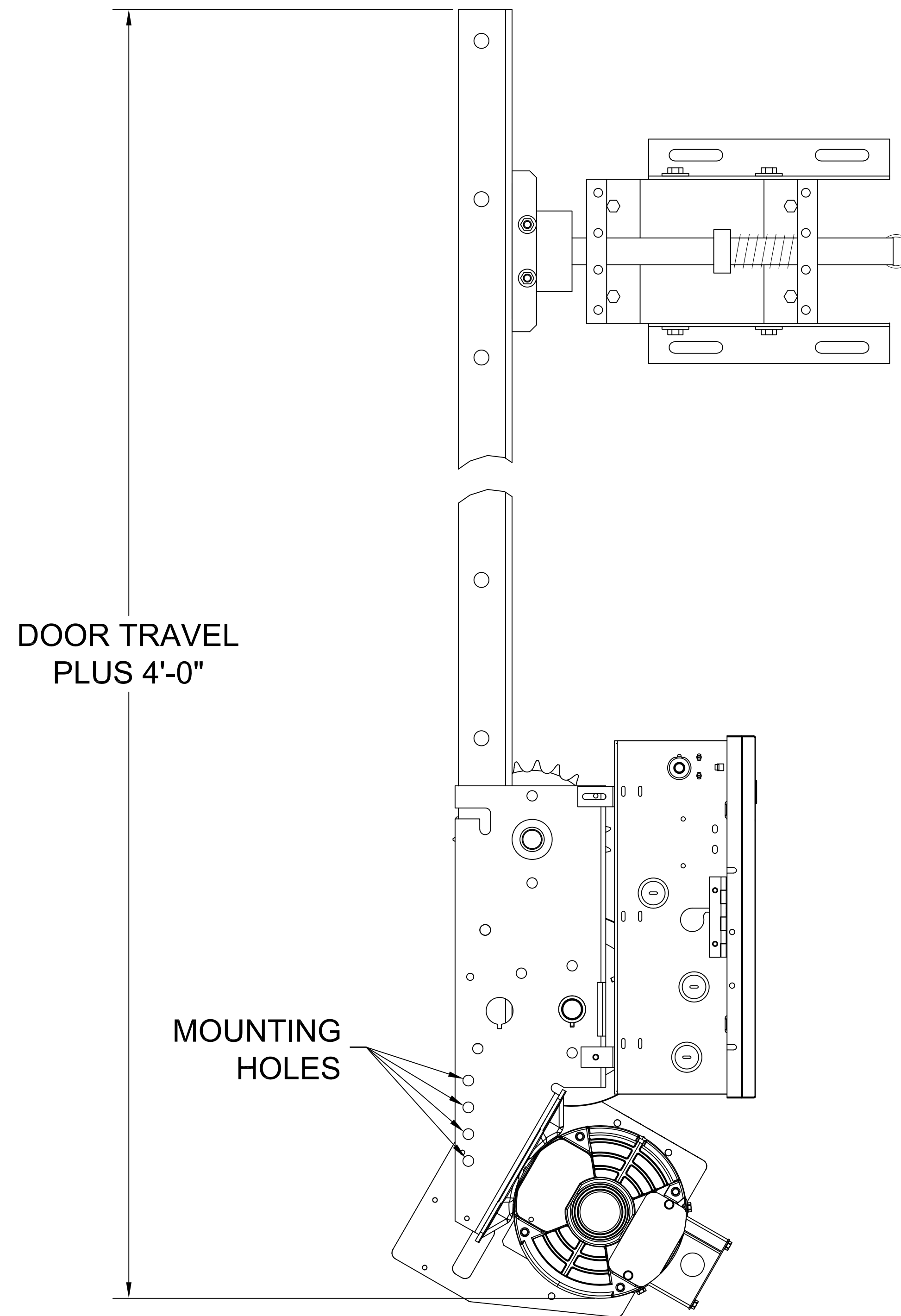
1. DIMENSIONS A,B & C MAY VARY PER MOTOR MANUFACTURER SPECIFICATION REVISIONS AND SPECIAL MODIFICATIONS TO THE OPERATOR.

2. DIMENSION WILL VARY PER BELT TENSION ADJUSTMENT. APPROX. "C" DIMENSION IS 11 1/2"

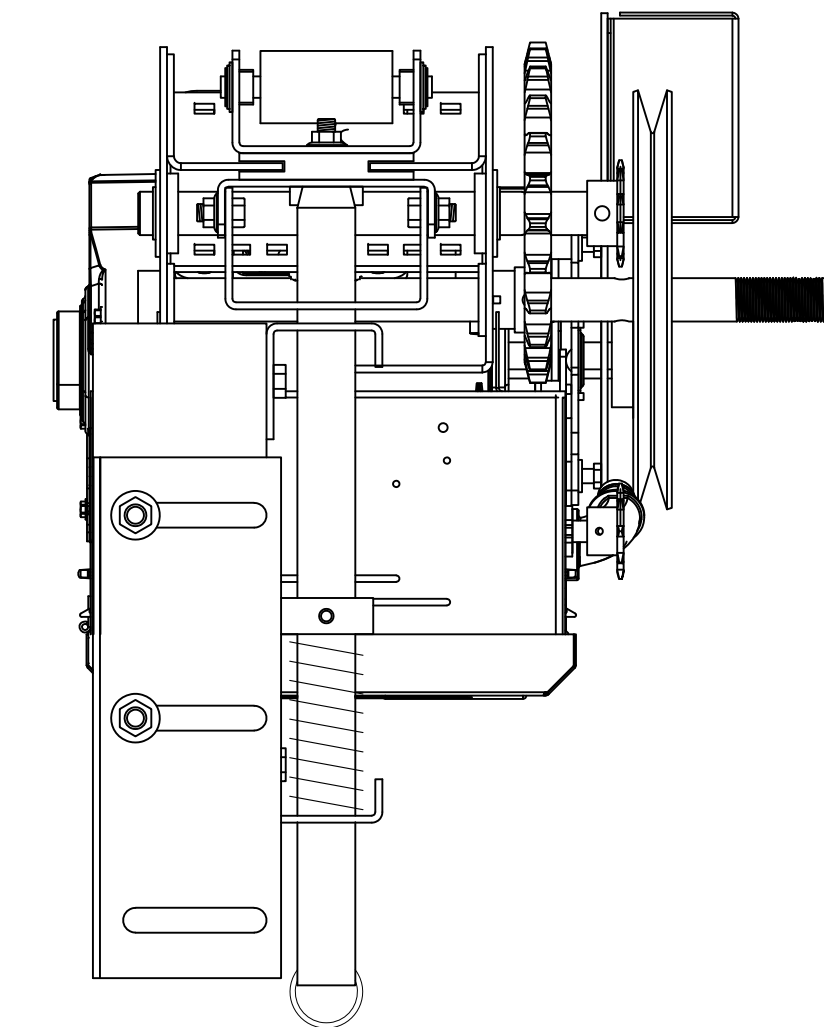
		300 WINDSOR DR. OAK BROOK, IL 60523 PHONE: (630) 418-6516 FAX: (630) 516-7059
DRW. BY: B. MOFFETT	REVISION: 1	SHEET NO: 1/2
DATE: 11/1/2019	SCALE: NTS	
TITLE: LIFTMASTER (SD) OPERATOR UNIT		
CAD FILE: -		



TOP



LEFT



FRONT

(SD) LOGIC 5 OPERATOR

		300 WINDSOR DR. OAK BROOK, IL 60523 PHONE: (630) 418-6516 FAX: (630) 516-7059	
		LIFTMASTER (CHAMBERLAIN GROUP, INC.) ENGINEERED SERVICES	
DRW. BY: B. MOFFETT	REVISION: 1	SHEET NO: 2/2	
DATE: 11/1/2019	SCALE: NTS		
TITLE: LIFTMASTER (SD) OPERATOR UNIT			
CAD FILE: -			