

RPM SENSOR 41C4672 Replacement Instructions

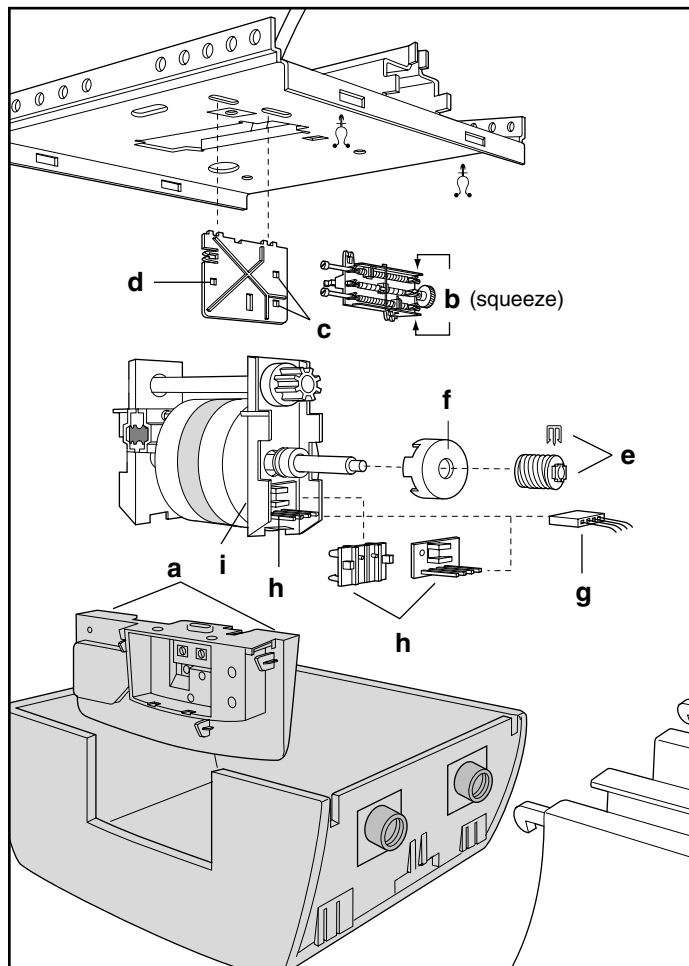
You will need a 1/4" magnetic nut driver and long-nosed pliers.

1. Disconnect power to the opener.
2. Remove the opener lens (refer to your owner's manual).
3. Remove the cover:
 - Using a 1/4" magnetic nut driver, remove the two screws recessed in the bottom of the cover.
 - Unplug the wires to the light sockets inside, and place the cover aside.
4. Lift off the Control Center access door and set aside.
5. Unfasten the receiver logic board assembly from the chassis by removing the two screws inside the panel under the top edges **(a)**. Allow it to hang suspended by wires.
6. Disengage the limit switch assembly **(b)** from the retention slots in the limit switch bracket **(c)** by squeezing the top and bottom on the right near the drive gear (see illustration).
7. Disengage the hook on the left **(d)** and allow assembly to hang by wires.
8. Remove the screw at the top rear of the limit switch bracket where it fastens to the chassis.
9. Tilt the bracket upwards to disengage its two hooks from slots in the chassis, and allow it to hang.
10. Remove the worm gear and retainer **(e)**:
 - Spread the retainer wings slightly to disengage from the worm gear and slide the retainer center pin out from the aperture in the motor shaft.
 - Pull out the worm gear.
11. Pull out the interrupter cup **(f)**.
12. Pull out the wire harness assembly plug **(g)** from the sensor assembly .
13. Remove the sensor assembly **(h)** from the motor bracket:
 - With long-nosed pliers, squeeze one of the two retainer prongs protruding through the motor bracket **(i)** while lightly pulling away the sensor assembly to free the prong from its hole. (This works best when the pliers are held as vertically as possible.)
 - Repeat with the second prong.
 - Unhook and discard the old sensor assembly.
14. Install the new sensor assembly:
 - Place the retaining hook over the edge of the slot in the motor bracket.
 - Align prongs with holes and snap the assembly in place.
15. Plug the wire harness into the new sensor.
16. Replace the interrupter cup, *pushing it all the way to the end of the motor shaft, against the collar.*
17. Reverse steps 10-1 to reassemble the unit and reconnect power.

NOTE: A test of the safety reverse system is necessary for safe operation. Follow the instructions on the reverse or in your owner's manual.

WARNING

To avoid SERIOUS INJURY or DEATH from electrocution, disconnect power to opener BEFORE proceeding.



Test the Safety Reversal System

TEST

- With the door fully open, place a 1-1/2" (3.8 cm) board (or a 2x4 laid flat) on the floor, centered under the garage door.
- Operate the door in the down direction. The door **must** reverse on striking the obstruction.

ADJUST

- If the door stops on the obstruction, it is not traveling far enough in the down direction. Increase the DOWN limit by turning the DOWN limit adjustment screw counterclockwise 1/4 turn.

NOTE: On a sectional door, make sure limit adjustments do not force the door arm beyond a straight up and down position.

- Repeat the test.
- When the door reverses on the 1-1/2" (3.8 cm) board, remove the obstruction and run the opener through 3 or 4 complete travel cycles to test adjustment.
- If the unit continues to fail the Safety Reverse Test, call for a trained door systems technician.

IMPORTANT SAFETY CHECK:

Test the Safety Reverse System after:

- Each adjustment of door arm length, limits, or force controls.
- Any repair to or adjustment of the garage door (including springs and hardware).
- Any repair to or buckling of the garage floor.
- Any repair to or adjustment of the opener.

WARNING

Without a properly installed safety reversal system, persons (particularly small children) could be **SERIOUSLY INJURED** or **KILLED** by a closing garage door.

- Safety reversal system **MUST** be tested every month.
- If one control (force or travel limits) is adjusted, the other control may also need adjustment.
- After **ANY** adjustments are made, the safety reversal system **MUST** be tested. Door **MUST** reverse on contact with 1-1/2" high (3.8 cm) object (or 2x4 laid flat) on the floor.

