

GT (LOGIC 5.0) GEARHEAD TROLLEY OPERATOR

SECTION 08 71 13



KEY FEATURES

STANDARD APPLICATION	Recommended for heavy, standard-lift sectional overhead doors in heavy-duty, high-cycle commercial applications
OPERATOR SPEED	6-7 Inches per second
LIMIT SETTINGS	Mechanical
EMERGENCY DISCONNECT FOR MANUAL OPERATION	Emergency release rope and handle
EMERGENCY DISCONNECT WITH AUTO-RECONNECT	Reconnects when tension is removed from emergency release rope
PROGRAMMING	Control function selector dial/tactile buttons
CIRCUIT BOARD	Solid-state Logic 5.0 circuit board
TIMER-TO-CLOSE	Programmable in 1 second and 15 second increments up to 68 minutes, standard
CLUTCH	Standard adjustable friction clutch
MID-STOP	Programmable
RUN TIME PROTECTION	Maximum run timer
MOTOR REVERSE ACTION PROTECTION	Delay-on-reverse circuit
MOTOR OPERATOR WALL CONTROL	3-Button Control Station with Maintenance Alert System (MAS)
TROLLEY TRACK	Dual L-rail trolley track
PUSH BUTTON STATION	3-Push button station (Open/Close/Stop)

SPECIFICATIONS

RADIO RECEIVER	LiftMaster® Security+ 2.0®
VOLTAGE CONNECTIONS	Single-phase: 115V/230V dual voltage; 3-phase: 208V/230V/460V dual voltage; 3-phase: 575V single voltage
CONTROL CIRCUIT	5VDC NEC class 2
DRIVE REDUCTION	10:1 first-stage using heavy-duty gears running in oil bath; cast iron housing; #41 chain second stage; #41 output chain on trolley
BEARINGS/BUSHINGS	Sealed roller bearings in gear reducer; flange-mount industrial ball bearings on drive shaft
BRAKE	Standard
CONSTRUCTION	NEMA 1 type electrical box; heavy-duty 11-gauge steel frame with durable powder coat finish; all reduction sprockets drilled and pinned to shafts
TROLLEY ROLLER CHAIN	#41 standard
WARRANTY	2 years

INSTALLATION FEATURES

MAXIMUM DOOR HEIGHT	24 feet standard with additional capability*
MAXIMUM DOOR WIDTH	22 feet standard with additional capability*
MAXIMUM ALLOWABLE SQUARE FOOTAGE	625 square feet
INTERNET CONNECTIVITY	myQ® Technology enables remote monitoring and control of the commercial door via a smartphone, tablet, or computer**

This commercial door operator must feature constant pressure to close or be equipped with an external monitored entrapment protection device. Use only LiftMaster monitored entrapment protection devices itemized on the accessory page of the operators installation manual to meet UL 325 requirements.

* Contact us at Specs@LiftMaster.com for additional capabilities.

**LiftMaster Internet Gateway and myQ app required.

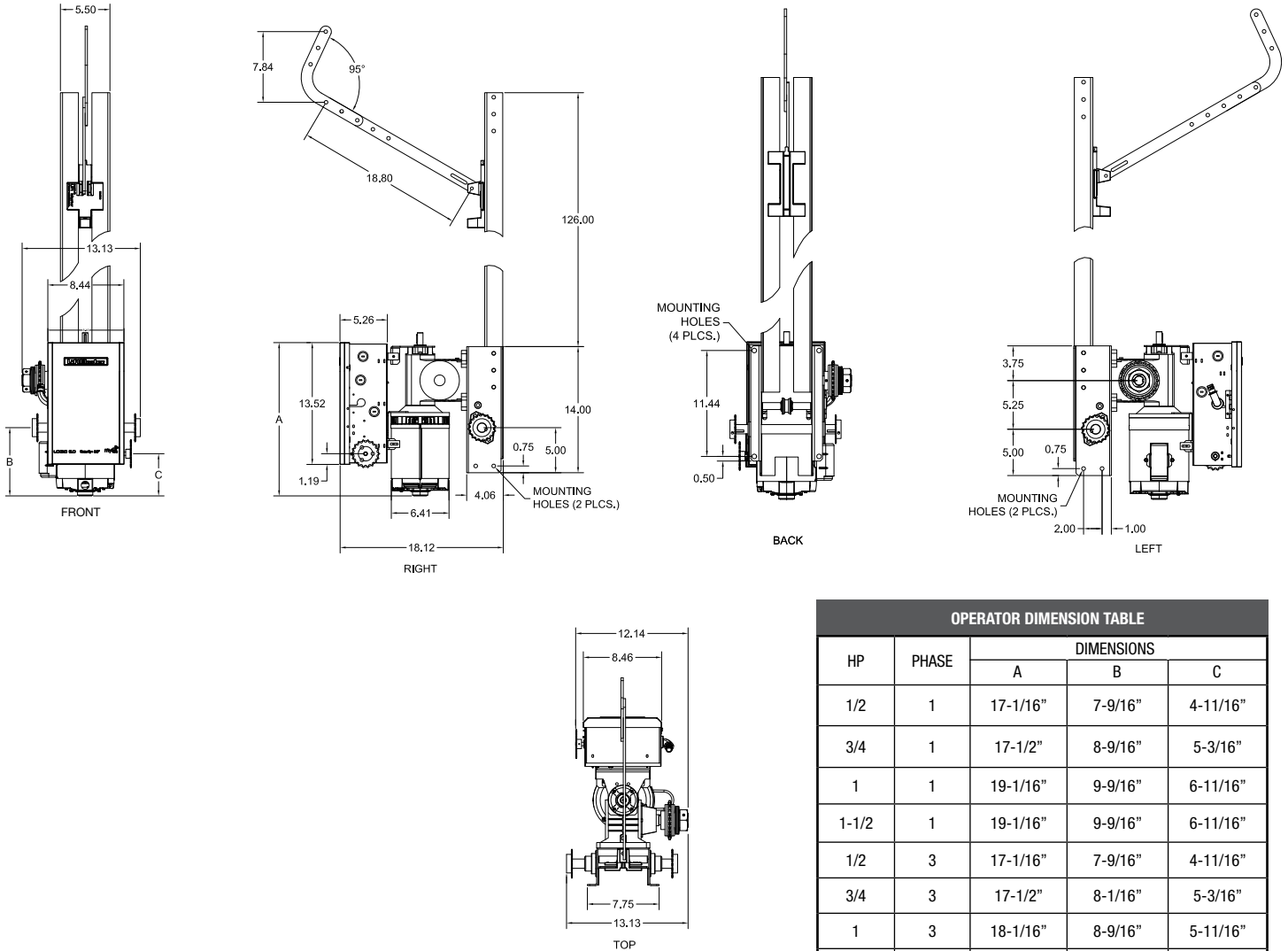
DATA SHEET
GEARHEAD TROLLEY OPERATOR

LiftMaster

GT (LOGIC 5.0) GEARHEAD TROLLEY OPERATOR

SECTION 08 71 13

DIMENSIONS



OPERATOR DIMENSION TABLE				
HP	PHASE	DIMENSIONS		
		A	B	C
1/2	1	17-1/16"	7-9/16"	4-11/16"
3/4	1	17-1/2"	8-9/16"	5-3/16"
1	1	19-1/16"	9-9/16"	6-11/16"
1-1/2	1	19-1/16"	9-9/16"	6-11/16"
1/2	3	17-1/16"	7-9/16"	4-11/16"
3/4	3	17-1/2"	8-1/16"	5-3/16"
1	3	18-1/16"	8-9/16"	5-11/16"
2	3	19-1/2"	10-1/16"	7-3/16"

Notes:

- Dimensions A, B & C may vary per motor manufacturer specification revisions and special modifications to the operator.

CAPACITY

MAXIMUM DOOR AREA (SQ. FT.)						
STANDARD SECTIONAL	—	24 ga. Steel	20 ga. Steel	16 ga. Steel	—	
	Fiberglass	Aluminum Doors	Wood Doors	—	—	
	—	—	24 ga. Steel Insulated	20 ga. Steel Insulated	16 ga. Steel Insulated	
HP	1/2	400	350	320	250	200
3/4	560	500	450	325	250	
1	625	575	500	400	300	
1-1/2	—	625	550	475	380	

On steel insulated doors, a 24-gauge back panel is assumed. If a heavier back panel is supplied, use the next higher HP rating. Recommended duty cycles: 25 per hour, in excess of 90 per day.