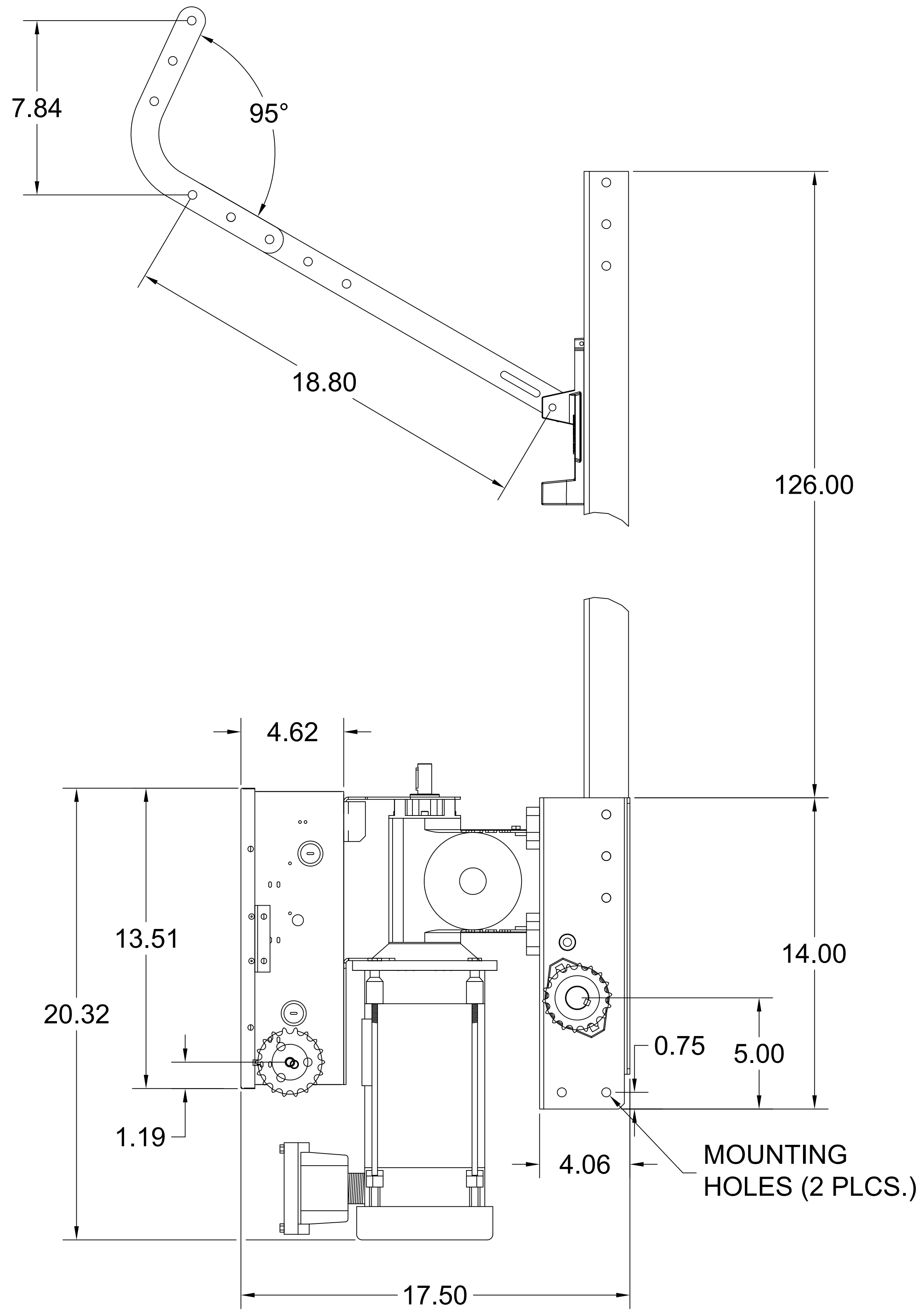
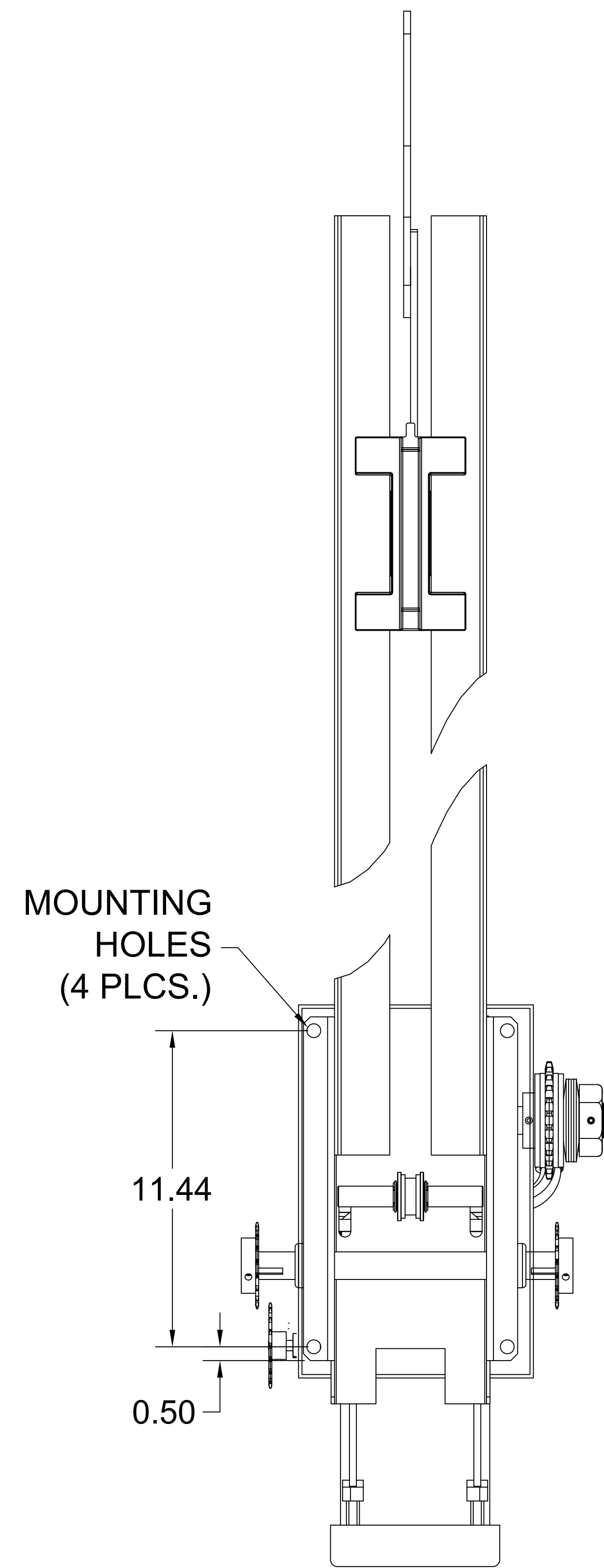


(GT) OPERATOR - NEMA 7/9



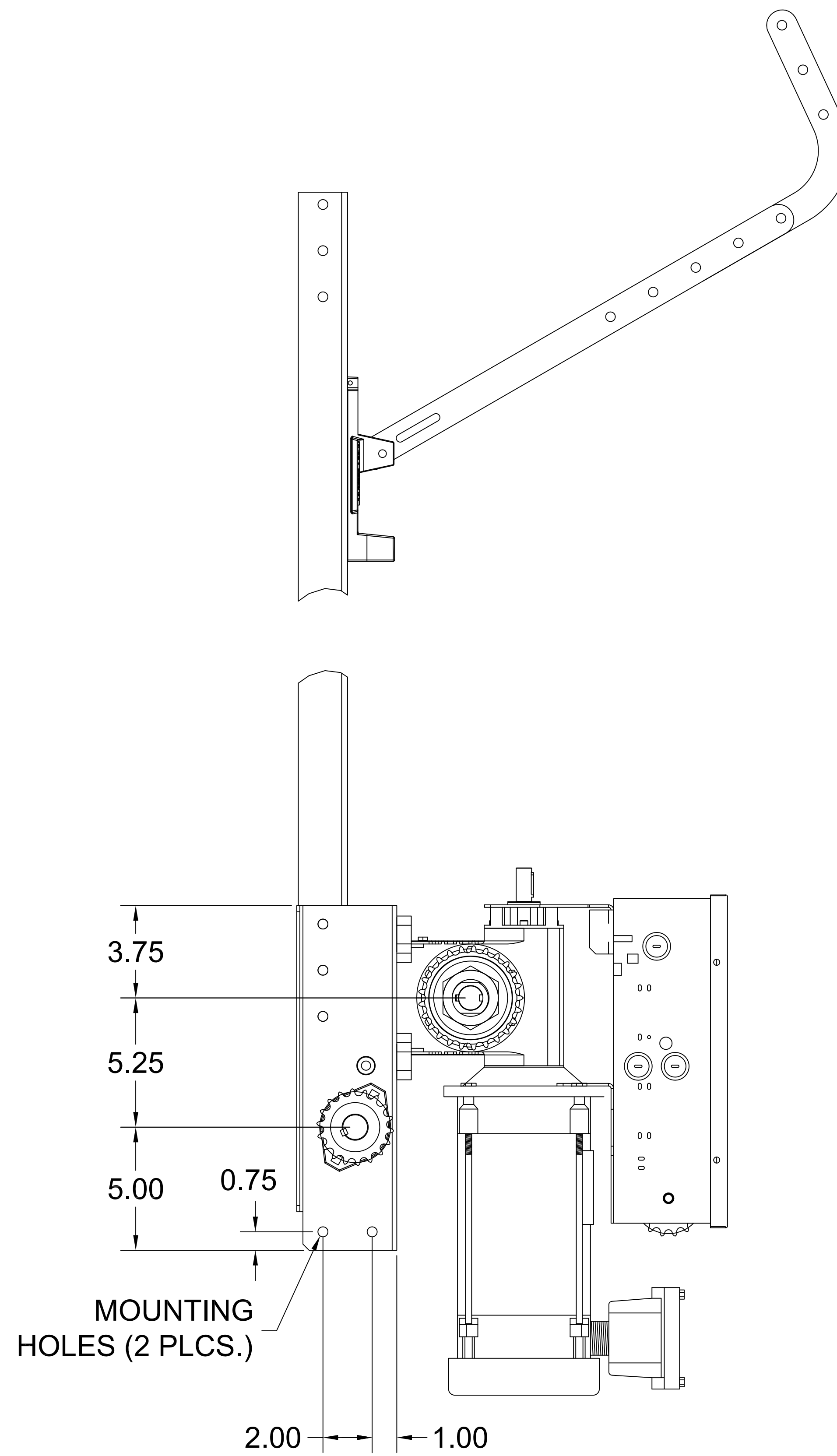
RIGHT

		300 WINDSOR DR. OAK BROOK, IL 60523 PHONE: (630) 418-6516 FAX: (630) 516-7059	
		LIFTMASTER (CHAMBERLAIN GROUP, INC.) ENGINEERED SERVICES	
DRW. BY: B. MOFFETT	REVISION:	SHEET NO: <h1>1/2</h1>	
DATE: 9/11/2018	SCALE: NTS		
TITLE: LIFTMASTER (GT) -NEMA 7/9 OPERATOR CAD FILE:			

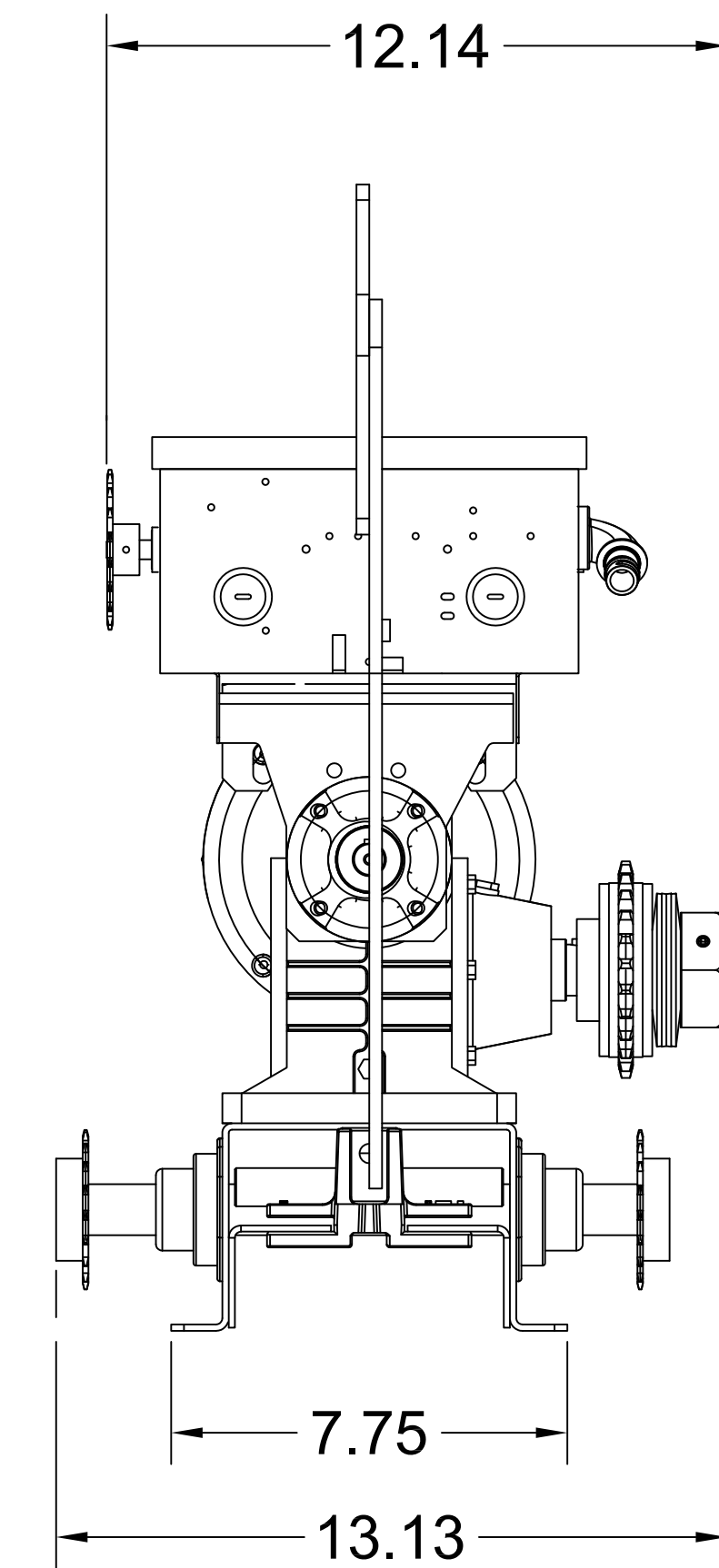


TOP

(GT) OPERATOR - NEMA 7/9



LEFT



TOP

PRELIMINARY
THIS PRINT IS SUBJECT TO CHANGE
WITH OUT REVISION

		300 WINDSOR DR. OAK BROOK, IL 60523 PHONE: (630) 418-6516 FAX: (630) 516-7059	
		LIFTMASTER (CHAMBERLAIN GROUP, INC.) ENGINEERED SERVICES	
DRW. BY: B. MOFFETT DATE: 9/11/2018 TITLE: LIFTMASTER (GT) -NEMA 7/9 OPERATOR CAD FILE: -	REVISION: SCALE: NTS	SHEET NO: <h1>2/2</h1>	