

OVERVIEW

Wireless Commercial Keypads are security keypads and should be programmed to ONE operator.

The Wireless Commercial Keypad comes with one 9V Lithium battery, instructions, and two keys. A wireless signal is transmitted when a valid 4-digit PIN and the # key is pressed. A long tone will sound. The keypad backlight will illuminate for 15 seconds when any key is pressed. If an invalid PIN or partial PIN is accidentally entered, an error tone will sound. The Wireless Commercial Keypad is compatible with the brands of commercial door and gate operators listed in the table below.

MODEL	FREQUENCY AND ENCRYPTION	PIN CAPACITY
KPW5	LiftMaster Security+ 2.0®	Up to 5 permanent PINs and Up to 10 unique temporary PINs
KPW250	LiftMaster Security+ 2.0®	Up to 250 permanent PINs and Up to 10 unique temporary PINs
	LiftMaster Security+® 315 MHz	
	LiftMaster Security+® 390 MHz	
	Linear Multi-Code 300 MHz	



KPW5



KPW250

Specifications

Power 9V Lithium battery
 Operating temperature range -4°F to 140°F (-20°C to 60°C)
 Storage and shipping temperature range -40°F to 140°F (-40°C to 60°C)
 Enclosure NEMA 3R

WARNING

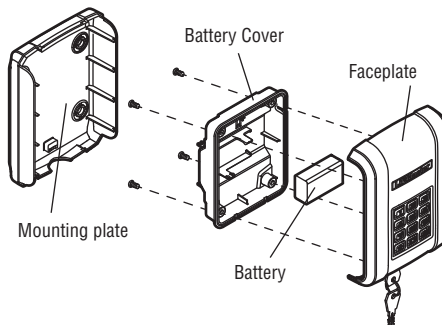
To prevent possible **SERIOUS INJURY** or **DEATH** from a moving gate or door:

- User activation controls **MUST** be located at least 6 feet (1.8 m) away from **ANY** moving part of the gate and where the user cannot reach over, under, around or through the gate to operate the controls.
- **ALWAYS** keep remote controls out of reach of children. **NEVER** permit children to operate or play with remote controls.
- Activate gate or door **ONLY** when it can be seen clearly, is properly adjusted, and there are no obstructions to door travel.
- **ALWAYS** keep gate or door in sight until completely closed. **NEVER** permit anyone to cross path of moving gate or door.



WARNING: This product can expose you to chemicals including lead, which are known to the State of California to cause cancer or birth defects or other reproductive harm. For more information go to www.P65Warnings.ca.gov.

1. Choose a mounting location suitable for your application such as a wall, flat surface, or a pedestal with a 3" x 3" mounting pattern (LiftMaster gooseneck pedestal post models PED42 or PED64). Locate the keypad at least 6 feet (1.8 m) away from any moving part of the gate and where the user cannot reach over, under, around or through the gate to operate the controls. The mounting location needs to be in line of sight of the moving gate.
2. Unlock and remove the faceplate from the mounting plate.
3. Mount the mounting plate to the desired surface and secure with 1/4" screws or bolts (not provided).
4. Remove the battery cover using a Phillips screw driver. If the battery (provided) is packaged outside of the keypad, install it and ensure it is connected. If it is installed within the keypad, connect it. Re-install inner cover.
5. Reattach the faceplate to the mounting plate and lock with the key.



BASIC PROGRAMMING

The Wireless Commercial Keypad must be put into programming mode prior to any of the programming steps below unless otherwise indicated. The keypad backlight will remain on if the product is in programming mode. While in programming mode, if an invalid code is entered, an error tone will sound, but the keypad will remain in programming mode. After 60 seconds of inactivity, the keypad will exit the programming mode. The 6-digit Master Code is used to prevent unauthorized access to the system. A Master Code is required (factory default code: 888888) to operate the Wireless Commercial Keypad. It is highly recommended to change and record your unique Master Code.

Set Master Code

Programming Step	Keystroke Combination	Indicator
1. Enter program mode	* (Master Code) #	Long tone
2. Update Master Code	09 # (New 6-digit Code) # (New 6-digit Code) #	Long tone
3. Exit Program Mode	* * #	Keypad backlight will turn off

Program a PIN

Programming Step	Keystroke Combination	Indicator
1. Enter program mode	* (Master Code) #	Long tone
2. Set new pin	01 # (New 4-digit PIN) # Repeat (new 4-digit PIN) #	Long tone
3. Exit Program Mode	* * #	Keypad backlight will turn off

NOTE: An error tone will sound if the maximum number of PINs is exceeded or if user tries to program a PIN already programmed in the memory.

PROGRAM TO OPERATOR

Program to LiftMaster Operator

NOTE: The Master Code and a PIN need to be set before the gate operator can be programmed. See Basic Programming.

KPW5 - The frequency and encryption are set at the factory. Proceed to Step 4.

KPW250 - The frequency and encryption are set at the factory for **LiftMaster Security+ 2.0** operators. Proceed to Step 4.
For **LiftMaster Security+** (315 MHz or 390 MHz), the frequency and encryption need to be set. Proceed to Step 1.

1. Enter program mode: * (Master Code) #.
2. Set frequency and encryption (KPW250 only):
 - LiftMaster Security+ 315 MHz - Press **03 # 2 #**. A long tone will sound.
 - LiftMaster Security+ 390 MHz - Press **03 # 3 #**. A long tone will sound.
 - To reset factory default - Press **03 # 1 #**. A long tone will sound.
3. Exit Program Mode: * * #.
4. Press the Learn Button on the operator.
5. **Within 30 seconds** - Enter a valid 4-digit PIN then press #. A long tone will sound.

PROGRAM TO OPERATOR

Program to Linear Multi-Code Receiver

KPW250 ONLY

1. Locate the DIP switch sequence on the operator and record it. If DIP switch is in the “up” or “on” (CLOSED) position place a 1, “down” or “off” (OPEN) position place a 0 in the corresponding box in the chart below.

DIP Switch Sequence	1	2	3	4	5	6	7	8	9	10
UP / ON (CLOSED)										
DOWN / OFF (OPEN)										

NOTE: Leave any unused switch locations blank.

Write the DIP switch 10-digit sequence: _____

2. Enter program mode: * (Master Code) #. A long tone will sound.
3. Set Linear Multi-Code frequency and encryption: Press 03 # 4 #. A long tone will sound.
4. Enter the DIP Switch sequence (Use ONLY 1 and 0). Press #. A long tone will sound.
5. Exit Program Mode: * * #.
6. Press the Learn Button on the operator.
7. **Within 30 seconds** - Enter a valid 4-digit PIN then press #. A long tone will sound.

NOTE: When entering the DIP Switch sequence 3 beeps will sound if an incorrect number of entries is input.

Once an operator has been programmed, enter a valid 4-digit PIN and the # key to activate the operator.

ADDITIONAL PROGRAMMING

The Wireless Commercial Keypad must be put into programming mode prior to any of the programming steps below unless otherwise indicated.

Set Temporary PIN

A temporary 4-digit PIN can be programmed to allow access to visitors (maximum of 9 uses). The temporary PIN cannot be the same as any previously programmed PIN. The keypad will store up to 10 unique temporary PINs.

Programming Step	Keystroke Combination	Indicator
1. Enter program mode	* (Master Code) #	Long tone
2. Set Temporary PIN	05 # (New temporary 4-digit PIN) # (New temporary 4-digit PIN) # Number of uses (9 maximum) #	Long tone
3. Exit Program Mode	* * #	Keypad backlight will turn off

Delete Permanent and Temporary PIN

Programming Step	Keystroke Combination	Indicator
1. Enter program mode	* (Master Code) #	Long tone
2. Delete PIN	07 # (4-digit PIN to be deleted) # (4-digit PIN to be deleted) #	Long tone
3. Exit Program Mode	* * #	Keypad backlight will turn off

ADDITIONAL PROGRAMMING

Reset Master Code

Resetting the Master Code will not remove PINs or temporary PINs from memory and will not change the frequency and encryption type. After resetting the Master Code, the keypad will not operate any previously programmed operators until they are reprogrammed. To reset the Master Code to the factory default (888888):

1. Unlock and remove the faceplate.
2. Press and hold the RESET button on the control board for 6 seconds, a long tone sounds indicating the Master Code has been reset.

Reset Keypad

Resetting the keypad will erase the Master Code, all permanent PINs, all temporary PINs, and frequency and encryption settings. All settings will be set to factory default. After resetting, the keypad will not operate the previously programmed operators until they are reprogrammed. To reset the keypad:

1. Unlock and remove the faceplate.
2. Press and hold RESET button on the control board for 6 seconds until a long tone sounds then release.
3. Press and hold RESET button on the control board for 15 seconds, 3 long tones will sound indicating the keypad has been reset.

Lockout Mode (Default is ON)

If the keypad receives five consecutive invalid PINs, the keypad will enter lockout mode and will not accept any keypad inputs for 30 seconds. After 30 seconds, the keypad will begin accepting new inputs.

Programming Step	Keystroke Combination	Indicator
1. Enter program mode	* (Master Code) #	Long tone
2. Set Lockout mode to ON :	02 # 1 #	Long tone
3. Exit Program Mode	* * #	Keypad backlight will turn off

Programming Step	Keystroke Combination	Indicator
1. Enter program mode	* (Master Code) #	Long tone
2. Set Lockout mode to OFF :	02 # 0 #	Long tone
3. Exit Program Mode	* * #	Keypad backlight will turn off

Constant Pressure Override (CPO)

The Constant Pressure Override feature is intended to temporarily override a fault in the entrapment protection system, in order to operate the gate until the external entrapment protection device is realigned or repaired. Use the feature only in line of sight of the gate when no obstructions to travel are present. External entrapment protection devices include LiftMaster monitored photoelectric sensors and LiftMaster monitored wired and wireless safety edge sensors. Be sure to repair or replace these devices promptly if they are not working properly.

CPO is only compatible with LiftMaster UL 325 Compliant Gate Operators (with burgundy boards) that require monitored entrapment protection.

To use Constant Pressure Override:

1. Enter a valid 4-digit PIN.
2. Press and hold # for 5 seconds to enter CPO. Continue to hold # to keep the operator in motion. A continuous tone will sound until limit is met and/or # is released.
3. The operator will stop when either the operator reaches a limit or the user releases #.

Party Mode (Gate Hold Open Feature)

Party mode can now be enabled from a model KPW5 or KPW250 wireless keypad.

Simply program the keypad into the receiver. When the gate is in the open position and the timer is running, enter a valid 4-digit PIN. The operator will chirp indicating the timer is canceled.

To restart the gate, either re-enter the 4-digit PIN, activate a hard input or a programmed remote control.

NOTE: Party Mode is only compatible with LiftMaster UL 325 Compliant Gate Operators (burgundy boards, with operator firmware version 4.2 or higher).

BATTERY

WARNING

To prevent possible **SERIOUS INJURY** or **DEATH**:

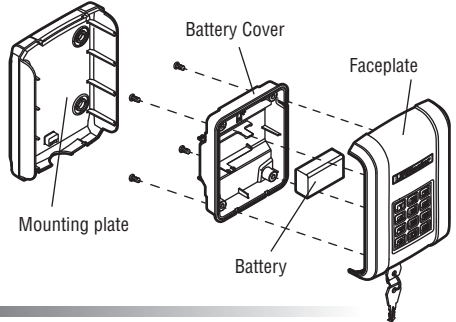
- NEVER allow small children near batteries.
- If battery is swallowed, immediately notify doctor.

To reduce risk of fire, explosion or chemical burn:

- Replace **ONLY** with 9V Lithium battery.
- **DO NOT** recharge, disassemble, heat above 212° F (100° C) or incinerate.

The 9V Lithium battery should produce power for up to 5 years.
To replace the battery:

1. Unlock and remove the faceplate from the mounting plate.
2. Remove the battery cover using a Phillips screw driver.
3. Remove the old battery and install new 9V Lithium battery. Re-install inner cover.
4. Reattach the faceplate to the mounting plate and lock with the key.
5. Dispose of old battery properly.



REPAIR PARTS

PART NUMBER	DESCRIPTION
K093A0763	Mounting Plate
K107A0031	Keys

TROUBLESHOOTING

SYMPTOM	CAUSE	SOLUTION
The keypad will not program to the operator.	The keypad is programmed to the wrong frequency and encryption.	Program the keypad to match the operator's frequency and encryption (see page 3).
The backlight and tone on the keypad no longer work.	Battery may be dead.	Replace battery with 9V Lithium battery.
Key press turns on backlight but no beep.	Stuck button.	Check that all buttons are not stuck.
PIN won't learn.	PIN already learned.	Learn a new PIN. Exit Learn.
PIN won't learn.	Memory full.	Erase a PIN to add a new pin. Perform Factory Reset to erase all PINs.

ONE YEAR LIMITED WARRANTY

LiftMaster warrants to the first consumer purchaser of this product that it is free from defect in materials and/or workmanship for a period of 1 year from the date of purchase.

NOTICE: This device complies with Part 15 of the FCC rules and Industry Canada's license-exempt RSSs. Operation is subject to the following two conditions: (1) this device may not cause harmful interference, and (2) this device must accept any interference received, including interference that may cause undesired operation. Any changes or modifications not expressly approved by the party responsible for compliance could void the user's authority to operate the equipment.

This device has been tested and found to comply with the limits for a Class B digital device, pursuant to part 15 of the FCC rules and Industry Canada ICES standard. These limits are designed to provide reasonable protection against harmful interference in a residential installation. This equipment generates, uses and can radiate radio frequency energy and,

if not installed and used in accordance with the instructions, may cause harmful interference to radio communications. However, there is no guarantee that interference will not occur in a particular installation. If this equipment does cause harmful interference to radio or television reception, which can be determined by turning the equipment off and on, the user is encouraged to try to correct the interference by one or more of the following measures:

- Reorient or relocate the receiving antenna.
- Increase the separation between the equipment and receiver.
- Connect the equipment into an outlet on a circuit different from that to which the receiver is connected.
- Consult the dealer or an experienced radio/TV technician for help.

VUE D'ENSEMBLE

Les claviers commerciaux sans fil sont des claviers de sécurité qui doivent être programmés à UN seul actionneur.

Le clavier commercial sans fil est fourni avec une pile au Lithium de 9 volts, des instructions et deux clés. Un signal sans fil est transmis lorsqu'un NIP valide de quatre chiffres est saisi et que le carré (#) est enfoncé. Une tonalité longue retentit. Le clavier rétroéclairé s'illuminera pendant 15 secondes lorsqu'une touche a été enfoncée. Si un NIP invalide ou partiel a été saisi inopinément, une tonalité d'erreur retentit. Le clavier sans fil commercial est compatible avec les marques d'actionneurs de portes et de barrières commerciales qui figurent dans le tableau ci-dessous.

MODÈLE	FRÉQUENCE ET CHIFFREMENT	CAPACITÉ DE NIP
KPW5	LiftMaster Security+ 2.0®	Jusqu'à 5 NIP permanents et jusqu'à 10 NIP temporaires
KPW250	LiftMaster Security+ 2.0®	Jusqu'à 250 NIP permanents et jusqu'à 10 NIP temporaires
	LiftMaster Security+® 315 MHz	
	LiftMaster Security+® 390 MHz	
	Linear Multi-Code 300 MHz	



KPW5



KPW250

Spécifications

Alimentation.....	Pile au Lithium de 9 V
Plage de températures de fonctionnement.....	-20°C à 60°C (-4°F à 140°F)
Plage de températures de rangement et d'expédition.....	-40°C à 60°C (-40°F à 140°F)
Boîtier.....	NEMA 3R



AVERTISSEMENT

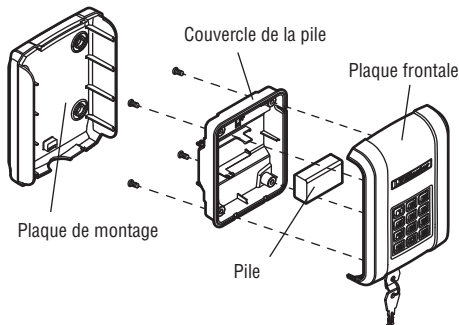
Afin d'éliminer les risques de BLESSURES GRAVES ou de MORT découlant de l'actionnement d'une clôture ou d'une porte :

- Activation d'utilisateur, les contrôles doivent être situés au moins 6 pieds (1,8 m) de toute partie mobile du portail et où l'utilisateur ne peut pas atteindre sur, autour ou sous la porte d'actionner les commandes.
- TOUJOURS garder les télécommandes hors de la portée des enfants. NE jamais laisser un enfant manipuler une télécommande ni jouer avec.
- Actionner la clôture ou la porte UNIQUEMENT lorsqu'elle est clairement visible, correctement ajustée et que le mécanisme est libre de toute entrave.
- ATOUJOURS garder la clôture ou la porte en vue jusqu'à sa fermeture complète. NE permettez à quiconque de passer lorsqu'une clôture ou une porte est en mouvement.



AVERTISSEMENT : Ce produit peut vous exposer à des produits chimiques comme le plomb, reconnu par l'État de la Californie comme cause de cancers, d'anomalies congénitales et d'autres problèmes liés à la reproduction. Pour plus d'informations, visitez www.P65Warnings.ca.gov

1. Choisir un emplacement de montage convenable pour votre application, comme un mur, une surface plane ou un piédestal avec gabarit de montage de 7,6 cm par 7,6 cm (3 po x 3 po) (poteau de piédestal à col de cygne LiftMaster, modèles PED42 ou PED64). Placez le clavier au moins 1,8 m (6 pieds) de toute partie mobile de la porte et où l'utilisateur ne peut pas atteindre sur, autour ou sous la porte d'actionner les commandes. L'emplacement de montage doit être en ligne de mire de la porte en mouvement.
2. Déverrouiller et retirer la plaque frontale de la plaque de montage.
3. Monter la plaque de montage à la surface désirée et la fixer avec des vis ou des boulons (non fournis) de 1/4 de po.
4. Retirer le couvercle de la pile avec un tournevis Phillips. Si la pile (fournie) est emballée à l'extérieur du clavier, installez-la et assurez-vous qu'elle est connectée. Si elle est installée dans le clavier, connectez-la. Réinstallez le couvercle intérieur.
5. Rattacher la plaque frontale à la plaque de montage et verrouiller avec la clé.



PROGRAMMATION DE BASE

Le clavier sans fil commercial doit être mis en mode de programmation avant de passer à toute étape de programmation, à moins d'indication contraire. Le clavier reste rétroéclairé lorsque le produit est en mode de programmation. Si un code invalide a été saisi alors que le clavier est en mode de programmation, une tonalité d'erreur retentit, mais le clavier reste dans ce mode. Après 60 secondes d'inactivité, le clavier quitte le mode de programmation. Le code maître à six chiffres est utilisé pour prévenir l'accès non autorisé au système. Un code maître est exigé (code par défaut réglé en usine : 888888) pour faire fonctionner le clavier sans fil commercial. Il est hautement recommandé de changer et de noter le code maître unique.

Programmation du code maître

Étape de programmation	Combinaison de touches	Témoin
1. Entrée en mode de programmation	* (Code maître) #	Tonalité longue
2. Mise à jour du code maître	09 # (Nouveau code à six chiffres) # (Nouveau code à six chiffres) #	Tonalité longue
3. Sortie du mode de programmation	* * #	Le rétroéclairage du clavier s'éteint

Programmation d'un NIP

Étape de programmation	Combinaison de touches	Témoin
1. Entrée en mode de programmation	* (Code maître) #	Tonalité longue
2. Configuration du nouveau NIP	01 # (Nouveau NIP à quatre chiffres) # Répéter (Nouveau NIP à quatre chiffres) #	Tonalité longue
3. Sortie du mode de programmation	* * #	Le rétroéclairage du clavier s'éteint

REMARQUE : Une tonalité d'erreur retentit si le nombre maximal de NIP a été dépassé ou si l'utilisateur essaie de programmer un NIP déjà mis en mémoire.

PROGRAMMATION À L'ACTIONNEUR

Programmer à l'actionneur LiftMaster

REMARQUE : Le code maître et un NIP doivent être configurés avant de pouvoir programmer l'actionneur de barrière. Voir *Programmation de base*.

KPW5 - La fréquence et le chiffrement sont configurés en usine. *Passer à l'étape 4.*

KPW250 - La fréquence et le chiffrement sont configurés en usine pour les actionneurs **LiftMaster Security+ 2.0**. *Passer à l'étape 4.*

La fréquence et le chiffrement doivent être configurés pour l'actionneur **LiftMaster Security+** (315 MHz ou 390 MHz). *Passer à l'étape 1.*

- Entrée en mode de programmation : * (Code maître) #
- Régler la fréquence et le chiffrement (KPW250 seulement) :
 - LiftMaster Security+ 315 MHz – Appuyer sur **03 # 2 #**. Une tonalité longue retentit.
 - LiftMaster Security+ 390 MHz – Appuyer sur **03 # 3 #**. Une tonalité longue retentit.
 - Pour réinitialiser le paramètre réglé en usine - Appuyer sur **03 # 1 #**. Une tonalité longue retentit.
- Sortie du mode de programmation : * * #.
- Appuyer sur le bouton d'apprentissage de l'actionneur.**
- Dans les 30 secondes** - Saisir un NIP de quatre chiffres valide, puis appuyer sur #. Une tonalité longue retentit.

PROGRAMMATION À L'ACTIONNEUR

Programmer au récepteur linéaire Multi-Code

KPW250 SEULEMENT

1. Localiser la séquence du commutateur DIP sur l'actionneur et la noter. Si le commutateur DIP est en position « vers le haut » ou « en fonction » (FERMÉ), placer un 1; s'il est en position « vers le bas » ou « hors fonction » (OUVERT), placer un 0 dans la case correspondante du tableau ci-dessous.

Séquence du commutateur DIP	1	2	3	4	5	6	7	8	9	10
VERS LE HAUT / EN FONCTION (FERMÉ)										
VERS LE BAS / HORS FONCTION (OUVERT)										

REMARQUE : Laisser vide tout emplacement inutilisé du commutateur.

Écrire la séquence de dix chiffres du commutateur DIP : _____

2. Entrée en mode de programmation : * (Code maître) #. Une tonalité longue retentit.
3. Configurer la fréquence et le chiffrement de l'actionneur Linear Multi-Code : Appuyer sur 03 # 4 #. Une tonalité longue retentit.
4. Saisir la séquence du commutateur DIP (utiliser SEULEMENT 1 et 0). Appuyer sur #. Une tonalité longue retentit.
5. Sortie du mode de programmation : * * #.
6. Appuyer sur le bouton d'apprentissage de l'actionneur.
7. Dans les 30 secondes - Saisir un NIP de quatre chiffres valide, puis appuyer sur #. Une tonalité longue retentit.

REMARQUE : Lors de la saisie de la séquence du commutateur DIP, trois bips retentissent si un nombre incorrect d'entrées a été saisi.

Une fois l'actionneur programmé, saisir un NIP à quatre chiffres valide et appuyer sur la touche # pour activer l'actionneur.

PROGRAMMATION SUPPLÉMENTAIRE

Le clavier sans fil commercial doit être mis en mode de programmation avant de passer à toute étape de programmation, à moins d'indication contraire.

Configurer un NIP temporaire

Un NIP temporaire à quatre chiffres peut être configuré pour permettre l'accès à des visiteurs (maximum de 9). Le NIP temporaire ne peut être identique à un NIP programmé précédemment. Le clavier mettra en mémoire jusqu'à dix NIP uniques temporaires.

Étape de programmation	Combinaison de touches	Témoin
1. Entrée en mode de programmation	* (Code maître) #	Tonalité longue
2. Configuration d'un NIP temporaire	05 # (Nouveau NIP temporaire à quatre chiffres) # (Nouveau NIP temporaire à quatre chiffres) # Nombre d'utilisations (maximum de 9) #	Tonalité longue
3. Sortie du mode de programmation	* * #	Le rétroéclairage du clavier s'éteint

Suppression de NIP permanents et temporaires

Étape de programmation	Combinaison de touches	Témoin
1. Entrée en mode de programmation	* (Code maître) #	Tonalité longue
2. Supprimer le NIP	07 # (NIP à quatre chiffres à supprimer) # (NIP à quatre chiffres à supprimer) #	Tonalité longue
3. Sortie du mode de programmation	* * #	Le rétroéclairage du clavier s'éteint

PROGRAMMATION SUPPLÉMENTAIRE

Réinitialisation du code maître

La réinitialisation du code maître ne supprimera pas les NIP temporaires ou permanents de la mémoire et ne changera pas la fréquence et le type de chiffrement. Après avoir réinitialisé le code maître, le clavier n'actionnera aucun des actionneurs programmés antérieurement avant qu'ils ne soient reprogrammés. Pour réinitialiser le code maître au paramètre par défaut réglé en usine (888888) :

1. Déverrouiller et retirer la plaque frontale.
2. Maintenir le bouton de réinitialisation ENFONCÉ sur le tableau de commande pendant six secondes; une tonalité longue retentit pour indiquer que le code maître a été réinitialisé.

Réinitialisation du clavier

La réinitialisation du clavier effacera le code maître, tous les NIP permanents et temporaires, de même que les paramètres de fréquence et de chiffrement. Tous les paramètres seront réglés à ceux réglés en usine. Après la réinitialisation, le clavier n'actionnera aucun des actionneurs programmés antérieurement avant qu'ils ne soient reprogrammés. Pour réinitialiser le clavier :

1. Déverrouiller et retirer la plaque frontale.
2. Maintenir enfoncé le bouton de réinitialisation sur le tableau de bord pendant six secondes jusqu'à ce qu'une tonalité longue retentisse, puis relâcher le bouton.
3. Maintenir enfoncé le bouton de réinitialisation sur le tableau de bord pendant 15 secondes, 3 tonalités longues retentissent pour indiquer que le clavier a été réinitialisé

Mode de verrouillage (réglage par défaut à ACTIVÉ)

Si le clavier reçoit cinq NIP invalides consécutifs, le clavier entre alors en mode de verrouillage et n'accepte plus d'entrées pendant 30 secondes. Après 30 secondes, le clavier commence à accepter de nouveau des entrées.

Étape de programmation	Combinaison de touches	Témoin
1. Entrée en mode de programmation	★ (Code maître) #	Tonalité longue
2. Activer le mode de verrouillage :	02 # 1 #	Tonalité longue
3. Sortie du mode de programmation	★ ★ #	Le rétroéclairage du clavier s'éteint

Étape de programmation	Combinaison de touches	Témoin
1. Entrée en mode de programmation	★ (Code maître) #	Tonalité longue
2. Désactiver le mode de verrouillage :	02 # 0 #	Tonalité longue
3. Sortie du mode de programmation	★ ★ #	Le rétroéclairage du clavier s'éteint

Annulation à pression constante

La fonction constante pression substituer est destinée à remplacer temporairement une faille dans le système de protection de provocation policière, afin d'exploiter la porte jusqu'à ce que le dispositif de protection externe de provocation policière est réaligné ou réparé. Utilisez la fonction uniquement en ligne de mire de la porte lorsque aucun obstacle au voyage sont présents. Dispositifs de protection externe de provocation policière incluent équipé de capteurs photo-électroniques LiftMaster surveillé et LiftMaster surveillé capteurs de bord de sécurité Wi-Fi et. N'oubliez pas de réparer ou de remplacer ces dispositifs rapidement si ils ne fonctionnent pas correctement.

La fonction de neutralisation à pression constante est compatible uniquement avec les actionneurs de barrière LiftMaster 2016 conformes à la norme UL 325 (avec tableaux bourgogne) qui exigent une protection surveillée contre le piégeage.

Pour utiliser la fonction de neutralisation à pression constante :

1. Saisir un NIP valide à quatre chiffres.
2. Tenir enfoncée la touche # pendant cinq secondes pour entrer dans la fonction de neutralisation à pression constante. Continuer de tenir le carré (#) pour garder l'actionneur en mouvement. Une tonalité continue sonnera jusqu'à ce que la limite de course soit atteinte et/ou que la touche # soit relâchée.
3. L'actionneur s'arrêtera lorsqu'il aura atteint la limite de fin de course ou que l'utilisateur aura relâchée la touche #.

Mode festif (Barrière tenue en position ouverte)

Le mode festif peut être activé à partir d'un émetteur à code sans fil de modèle KPW5 ou KPW250.

Programmer simplement l'émetteur dans le récepteur. Lorsque la barrière est en position ouverte et que la temporisation fonctionne, saisir un NIP valide à quatre chiffres sur le clavier. L'actionneur émettra un signal sonore indiquant que la temporisation a été annulée.

Pour relancer le mouvement de la barrière, saisir de nouveau le NIP à quatre chiffres, activer une entrée de commande prioritaire ou une télécommande programmée.

REMARQUE : Le mode festif n'est compatible qu'avec les actionneurs de barrière LiftMaster conformes à la norme UL 325 (tableaux bourgogne avec matériel de l'actionneur de version 4.2 ou supérieure).

PILE



AVERTISSEMENT

Pour prévenir d'éventuelles BLESSURES GRAVES ou LA MORT :

- NE jamais laisser de petits enfants à proximité des piles.
- Aviser immédiatement un médecin en cas d'ingestion d'une pile.

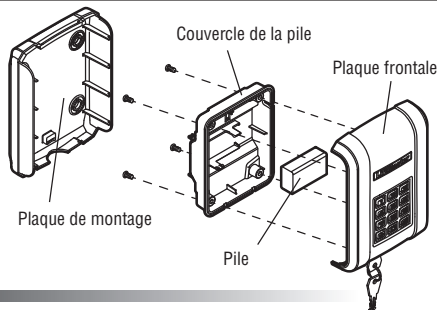
Pour réduire le risque d'incendie, d'explosion ou de brûlure chimique:

- Remplacer **UNIQUEMENT** par une pile au Lithium de 9 volts.
- **NE PAS** recharger, ni démonter, ni chauffer à une température supérieure à 100 °C (212 °F), ni incinérer.

La pile au Lithium 9 V devrait durer jusqu'à cinq ans.

Pour remplacer la pile :

1. Déverrouiller et retirer la plaque frontale de la plaque de montage.
2. Retirer le couvercle de la pile à avec un tournevis Phillips.
3. Retirer la pile usagée et la remplacer par une pile au Lithium de 9 V neuve. Remettre le couvercle intérieur.
4. Rattacher la plaque frontale à la plaque de montage et verrouiller avec la clé.
5. Mettre la pile usagée au rebut comme il convient.



PIÈCES DE RECHANGE

NUMÉRO DE LA PIÈCE	DESCRIPTION
K093A0763	Plaque de montage
K107A0031	Clés

DÉPANNAGE

SYMPTÔME	CAUSE	SOLUTION
Le clavier ne se programme pas à l'actionneur.	Le clavier est programmé à la mauvaise fréquence et au mauvais chiffrement.	Programmer le clavier de manière à ce qu'il corresponde à la fréquence et au chiffrement de l'actionneur (voir la page 9).
Le rétroéclairage et la tonalité du clavier ne fonctionnent plus.	La pile est peut-être épuisée.	Remplacer la pile par une pile au Lithium de 9 V.
Une pression sur le bouton allume le rétroéclairage, mais aucun bip n'est émis.	Bouton grippé.	Vérifier que les boutons ne sont pas grippés.
Le NIP n'est pas mis en mémoire.	NIP déjà mis en mémoire.	Mettre en mémoire un nouveau NIP. Quitter le mode d'apprentissage.
Le NIP n'est pas mis en mémoire.	Mémoire pleine.	Effacer un NIP pour en ajouter un nouveau. Effectuer une réinitialisation aux paramètres d'usine pour effacer tous les NIP.

GARANTIE LIMITÉE D'UN AN

LiftMaster garantit à l'acheteur initial que le produit est exempt de tout défaut de matériaux ou de fabrication pendant une période d'un an à compter de la date d'achat.

AVIS : Cet appareil est conforme aux dispositions de la partie 15 du règlement de la FCC et de l'exemption de licence IC (Industrie Canada) RSS. L'utilisation est assujettie aux deux conditions suivantes : (1) ce dispositif ne peut causer d'interférences nuisibles, et (2) ce dispositif doit accepter toute interférence reçue, y compris toute interférence pouvant causer un fonctionnement non désiré. Tout changement ou modification non expressément approuvé par la partie responsable de la conformité pourrait annuler l'autorité de l'utilisateur d'utiliser l'équipement.

Cet appareil a été testé et déclaré conforme aux limites d'un dispositif numérique de Classe B, conformément à la partie 15 du règlement de la FCC et de la norme NMB d'Innovation, Sciences et Développement économique Canada. Ces limites ont pour but de fournir une protection raisonnable contre les interférences nuisibles dans une installation résidentielle. Cet équipement génère, utilise et peut émettre des fréquences

radio et, s'il n'est pas installé et utilisé conformément aux instructions, peut causer des interférences nuisibles aux communications radio. Cependant, il n'existe aucune garantie que des interférences ne se produiront pas dans une installation particulière. Si cet équipement provoque des interférences nuisibles à la réception d'une diffusion sonore ou visuelle, ce qu'on peut déterminer en l'allumant et en l'éteignant, l'utilisateur est invité à essayer de résoudre ce problème en prenant une ou plusieurs des mesures suivantes :

- Réorienter ou déplacer l'antenne de réception.
- Augmenter la distance entre l'équipement et le récepteur.
- Brancher l'appareil à une prise sur un circuit différent de celui du récepteur.
- Pour obtenir de l'aide, consulter le détaillant ou un radiotechnicien chevronné.

DESCRIPCIÓN GENERAL

Los teclados inalámbricos comerciales son teclados de seguridad que pueden programarse con UN operador.

El Teclado Inalámbrico de uso Comercial se suministra con una batería de Litio de 9 V, instrucciones y dos llaves. Al pulsar un código de 4 dígitos (PIN) y la tecla # se emite una señal inalámbrica. Se escuchará un tono largo. Al pulsar cualquier tecla, el teclado se iluminará durante 15 segundos. Si se pulsa un PIN incorrecto o parcial, se escuchará un tono que indica error. El Teclado Inalámbrico de uso Comercial es compatible con los operadores de puertas y portones de uso comercial mencionados en la tabla de abajo.

MODELO	FRECUENCIA Y CODIFICACIÓN	CAPACIDAD DE PIN
KPW5	LiftMaster Security+ 2.0®	Hasta 5 PIN permanentes y hasta 10 PIN de uso temporal
KPW250	LiftMaster Security+ 2.0®	Hasta 250 PIN permanentes y hasta 10 PIN de uso temporal
	LiftMaster Security+® 315 MHz	
	LiftMaster Security+® 390 MHz	
	Linear Multi-Code 300 MHz	



KPW5



KPW250

Especificaciones técnicas

Alimentación eléctrica	Batería de Litio de 9 V
Rango de temperatura de servicio	-4°F a 140°F (-20°C a 60°C)
Rango de temperatura de almacenamiento y transporte	-40°F a 140°F (-40°C a 60°C)
Enclosure	NEMA 3R



ADVERTENCIA

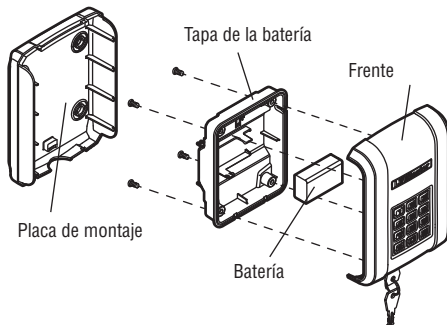
Para evitar la posibilidad de una LESIÓN GRAVE o INCLUSO LA MUERTE causada por la puerta en movimiento:

- Activación de usuario controles deben ser situado a menos de 6 pies (1,8 m) de cualquier parte móvil de la puerta y donde el usuario no puede llegar a sobre, debajo, alrededor o a través de la puerta para operar los controles.
- SIEMPRE conserve los controles remotos lejos del alcance de los niños. NO permita que los niños usen ni jueguen con el control remoto.
- Haga funcionar la puerta SÓLO si la puede ver claramente, si la puerta está debidamente ajustada y si no hay ninguna obstrucción en su recorrido.
- Tenga SIEMPRE la puerta a la vista hasta que esté completamente cerrada. NUNCA permita que alguien atraviese el recorrido de la puerta cuando se está cerrando.



ADVERTENCIA: Este producto puede exponerle a productos químicos (incluido el plomo), que a consideración del estado de California causan cáncer, defectos congénitos u otros daños reproductivos. Para más información, visite www.P65Warnings.ca.gov

1. Elija un lugar de montaje apto para la instalación, tal como una pared, una superficie plana o un pedestal con un área de montaje de 3 pulg. x 3 pulg. (7.6 cm x 7.6 cm) (pedestales curvos LiftMaster modelos PED42 o PED64). Ubique el teclado por lo menos 6 pies (1,8 m) de cualquier parte móvil de la puerta y donde el usuario no puede llegar a sobre, debajo, alrededor o a través de la puerta para operar los controles. El lugar de montaje debe ser en línea de la vista de la cancela en movimiento.
2. Aflojar y quitar el frente de la placa de montaje.
3. Colocar la placa de montaje sobre la superficie que corresponda y fijarla con tornillos de 1/4 de pulg. (no suministrados con la unidad).
4. Quitar la tapa de la batería con un destornillador Phillips. Si la batería (provista) está embalada por fuera del teclado numérico, instálela y asegúrese de que esté conectada. Si está instalada dentro del teclado numérico, conéctela. Vuelva a instalar la cubierta interna.
5. Volver a colocar el frente en la placa de montaje y cerrar la unidad con llave.



PROGRAMACIÓN BÁSICA

A menos que se indique lo contrario, poner el Teclado Inalámbrico de uso Comercial en modo de programación antes de proceder con los pasos indicados a continuación. En modo de programación, el teclado quedará continuamente iluminado. Si se ingresa un código incorrecto durante la programación se escuchará un tono de error, pero el teclado continuará en modo de programación. Después de 60 segundos de inactividad, el teclado saldrá del modo de programación. El código maestro de 6 dígitos se utiliza para evitar el uso no autorizado del sistema. Para operar el Teclado Inalámbrico de uso Comercial debe usarse un código maestro (código preasignado de fábrica: 888888). Es recomendable cambiar este código preasignado y guardar el código maestro nuevo.

Programar el código maestro

Paso de programación	Combinación de teclas	Indicador
1. Entrar a modo de programación	* (Código maestro) #	Tono largo
2. Cambiar código maestro	09 # (Nuevo código de 6 dígitos) # (Nuevo código de 6 dígitos) #	Tono largo
3. Salir del modo de programación	* * #	Se apagará la iluminación del teclado

Programar un PIN

Paso de programación	Combinación de teclas	Indicador
1. Entrar a modo de programación	* (Código maestro) #	Tono largo
2. Programar el nuevo PIN	01 # (Nuevo PIN de 4 dígitos) # Repetir (Nuevo PIN de 4 dígitos) #	Tono largo
3. Salir del modo de programación	* * #	Se apagará la iluminación del teclado

NOTA: Se escuchará un tono indicativo de error si se sobrepasa la cantidad de PIN permitida o el usuario trata de programar un PIN que existe en memoria.

PROGRAMACIÓN DEL OPERADOR

Programación con un operador LiftMaster

NOTA: Antes de programar el operador es necesario establecer el código maestro y un PIN. Véase Programación básica.

KPW5 - La frecuencia y la codificación vienen programadas de fábrica. Continuar con el Paso 4.

KPW250 - La frecuencia y la codificación se establecen en fábrica para operadores **LiftMaster Security+ 2.0**. Continuar con el Paso 4.

Para el **LiftMaster Security+** (315 MHz o 390 MHz) es necesario programar la frecuencia y la codificación. Continuar con el Paso 1.

1. Entrar a modo de programación: * (Código maestro) #
2. Programar la frecuencia y la codificación (KPW250 únicamente):
 - LiftMaster Security+ 315 MHz - Pulsar **03 # 2** #. Se escuchará un tono largo.
 - LiftMaster Security+ 390 MHz - Pulsar **03 # 3** #. Se escuchará un tono largo.
 - Para restituir la programación de fábrica pulsar **03 # 1** #. Se escuchará un tono largo.
3. Salir del modo de programación: * * #.
4. Pulsar el botón Learn en el operador.
5. En los siguientes 30 segundos - ingresar un PIN de 4 dígitos y luego pulsar #. Se escuchará un tono largo.

PROGRAMACIÓN DEL OPERADOR

Programación con un receptor lineal multicódigo

KPW250 ÚNICAMENTE

1. Anotar la secuencia de los microselectores en el operador. Si el microselector está CERRADO (posición "on/arriba), anotar un 1 en el casillero de la siguiente tabla; si está ABIERTO (posición "off/abajo), anotar un 0.

Secuencia de los microselectores	1	2	3	4	5	6	7	8	9	10
Posición ON/ARRIBA (CERRADO)										
Posición OFF/ABAJO (ABIERTO)										

NOTA: Dejar en blanco el espacio de los microselectores no utilizados.

Anotar la secuencia de 10 dígitos de los microselectores: _____

2. Entrar a modo de programación: * (Código maestro) #. Se escuchará un tono largo.
3. Establecer la frecuencia y la codificación del Linear Multi-Code: Pulsar 03 # 4 #. Se escuchará un tono largo.
4. Ingresar la secuencia de los microselectores (usar ÚNICAMENTE 1 y 0). Pulsar #. Se escuchará un tono largo.
5. Salir del modo de programación: * * #.
6. Pulsar el botón Learn en el operador.
7. En los siguientes 30 segundos - ingresar un PIN de 4 dígitos y luego pulsar #. Se escuchará un tono largo.

NOTA: Si al ingresar la secuencia de los microselectores se usa un número incorrecto, se escucharán 3 señales sonoras.

Una vez programado el operador, ingresar un PIN de 4 dígitos y la tecla que se usará para activar el operador.

OTRAS FUNCIONES DE PROGRAMACIÓN

A menos que se indique lo contrario, poner el Teclado Inalámbrico de uso Comercial en modo de programación antes de proceder con los pasos indicados a continuación.

Programar un PIN temporal

Puede programarse un PIN temporal de 4 dígitos para la entrada de visitantes (puede usarse 9 veces como máximo). El PIN temporal no puede ser ningún otro PIN que se hubiera programado anteriormente. El teclado almacenará hasta 10 PIN temporales.

Paso de programación	Combinación de teclas	Indicador
1. Entrar a modo de programación	* (Código maestro) #	Tono largo
2. Programar un PIN temporal	05 # (Nuevo PIN temporal de 4 dígitos) # (Nuevo PIN temporal de 4 dígitos) # Cantidad de veces que se usará (9 como máximo) #	Tono largo
3. Salir del modo de programación	* * #	Se apagará la iluminación del teclado

Borrar un PIN permanente y temporal

Paso de programación	Combinación de teclas	Indicador
1. Entrar a modo de programación	* (Código maestro) #	Tono largo
2. Borrar un PIN	07 # (PIN de 4 dígitos a borrar) # (PIN de 4 dígitos a borrar) #	Tono largo
3. Salir del modo de programación	* * #	Se apagará la iluminación del teclado

OTRAS FUNCIONES DE PROGRAMACIÓN

Reponer el código maestro

Al reponer el código maestro no se borrará ningún PIN, permanente o temporal, de la memoria ni cambiará la frecuencia ni la codificación. Después de reponer el código maestro, el teclado no comandará ningún operador hasta que vuelva a ser programado. Para reponer el código maestro al valor de fábrica (888888):

1. Aflojar y quitar el frente.
2. Pulsar y mantener pulsado el botón RESET (reponer) en la tarjeta de control durante 6 segundos. Un tono largo indicará que se ha repuesto el código maestro.

Reponer el teclado

Al reponer el teclado se borrarán el código maestro, los PIN permanentes y temporales, y la frecuencia y codificación. Todos los parámetros volverán a su programación de fábrica. Después de reponer el teclado, el teclado no comandará ningún operador hasta que vuelva a ser programado. Para reponer el teclado:

1. Aflojar y quitar el frente.
2. Pulsar y mantener pulsado el botón RESET (reponer) en la tarjeta de control durante 6 segundos, hasta que se escuche un tono largo, luego soltar el botón.
3. Pulsar y mantener pulsado el botón RESET (reponer) en la tarjeta de control durante 15 segundos. Tres tonos largos indicarán que se ha repuesto el teclado.

Modo de bloqueo (viene ACTIVADO de fábrica)

Si se utiliza un PIN incorrecto cinco veces consecutivas, el teclado pasará a modo de bloqueo y no aceptará ninguna entrada durante 30 segundos. Después de 30 segundos, el teclado comenzará a aceptar nuevas entradas.

Paso de programación	Combinación de teclas	Indicador
1. Entrar a modo de programación	* (Código maestro) #	Tono largo
2. Para activar el modo de bloqueo:	02 # 1 #	Tono largo
3. Salir del modo de programación	* * #	Se apagará la iluminación del teclado

Paso de programación	Combinación de teclas	Indicador
1. Entrar a modo de programación	* (Código maestro) #	Tono largo
2. Para desactivar el modo de bloqueo:	02 # 0 #	Tono largo
3. Salir del modo de programación	* * #	Se apagará la iluminación del teclado

Commutación por presión constante (CPO)

La función de anulación de la presión constante se pretende anular temporalmente una falla en el sistema de protección de colocación de trampas, para operar la puerta hasta que el dispositivo de protección externo atrapamiento es realinear o reparado. Utilice la función de sólo en línea de la vista de la puerta cuando no haya obstáculos para viajar están presentes. Atrapamiento externo protección dispositivos incluyen sensores fotoeléctricos LiftMaster monitoreado y supervisados de LiftMaster sensores de borde de seguridad inalámbrica y por cable. Asegúrese de reparar o reemplazar estos dispositivos rápidamente si no están funcionando correctamente.

CPO es compatible únicamente con operadores de portón LiftMaster UL 325 2016 (con listones bordó) que exigen el uso de protección contra atrapamiento.

Para usar conmutación por presión constante (CPO):

1. Especifique un PIN de 4 dígitos.
2. Mantenga pulsada la tecla # por 5 segundos para entrar al modo CPO. Continúe pulsando la tecla # para mantener el operador en movimiento. Se escuchará un sonido continuo hasta que el portón llegue al límite y/o se suelte la tecla #.
3. El operador se detendrá cuando llegue al límite de carrera o cuando el usuario suelte el botón #.

Modo de apertura permanente (el portón se mantiene abierto)

Ahora, el modo de apertura permanente puede activarse con el teclado inalámbrico modelo KPW5 o KPW250.

Simplemente hay que programar el teclado con el receptor. Cuando el portón está abierto y el temporizador está contando, ingrese un número de PIN de 4 dígitos. El operador emitirá un sonido indicando que el temporizador quedó cancelado.

Para reiniciar el funcionamiento normal, vuelva a ingresar el PIN de 4 dígitos, o active una entrada cableada o utilice un control remoto programado.

NOTA: El modo de apertura permanente es compatible únicamente con los operadores de portón LiftMaster UL 325 (tarjetas bordó con software versión 4.2 o posterior).

BATERÍA



ADVERTENCIA

Para evitar una **LESIÓN GRAVE** o **INCLUSO LA MUERTE**:

- **NUNCA** permita la presencia de niños cerca de pilas ni baterías.
- Si alguien tragara una pila llamar inmediatamente a un médico.

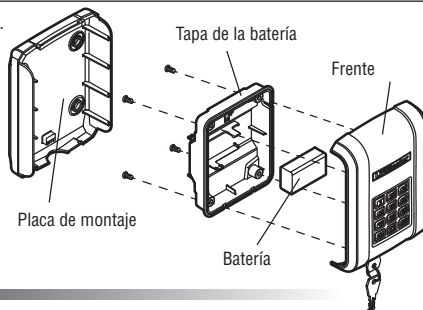
Para reducir el riesgo de explosión o quemadura:

- Usar **ÚNICAMENTE** batería de Litio de 9 V.
- **NO** recargar, desarmar, calentar por sobre 212 °F (100 °C) ni incinerar.

La batería de Litio de 9 V puede producir energía hasta por cinco años.

Para cambiar la batería:

1. Aflojar y quitar el frente de la placa de montaje.
2. Quitar la tapa de la batería con un destornillador Phillips.
3. Quitar la batería en uso y colocar la nueva batería de Litio de 9 V. Colocar la tapa interna.
4. Volver a colocar el frente en la placa de montaje y cerrar la unidad con llave.
5. Elimine las pilas usadas según las normas.



PIEZAS DE REPUESTO

NUMERO DE PARTE	DESCRIPCIÓN
K093A0763	Placa de montaje
K107A0031	Llaves

DIAGNÓSTICO DE FALLAS

SÍNTOMA	CAUSA	SOLUTION
El operador no puede programarse con el teclado.	El teclado se ha programado con la frecuencia y codificación incorrectas.	Programar el teclado con la frecuencia y la codificación que correspondan al operador (véase la página 15).
El teclado no se ilumina ni emite señales sonoras.	La batería podría estar descargada.	Cambiar la batería por una batería de Litio de 9 V.
Al pulsar la tecla se enciende la iluminación de fondo pero no emite sonido.	Botón trabado.	Verificar que los botones no estén trabados.
El PIN no se programa.	El PIN ya está programado.	Programar un nuevo PIN. Salir del modo Aprendizaje (Learn).
El PIN no se programa.	Capacidad de memoria colmada.	Borrar el PIN y agregar uno nuevo. Hacer una reposición (reset) al estado original para borrar todos los PIN.

UN AÑO DE GARANTÍA LIMITADA

LiftMaster garantiza al primer comprador de este producto que dicho producto está libre de defectos de materiales y/o mano de obra durante un período de 1 año a partir de la fecha de compra.

AVISO: Este dispositivo cumple con la Parte 15 de la reglamentación de la FCC y las normas de RSS de Industry Canada para dispositivos exentos de licencia. La operación está sujeta a las siguientes dos condiciones: (1) es posible que este dispositivo no cause interferencias perjudiciales, y (2) este dispositivo debe aceptar cualquier interferencia recibida, incluidas las interferencias que puedan causar operaciones no deseadas. Todo cambio o toda modificación no expresamente aprobada por la parte responsable del cumplimiento podría anular el derecho de usar el equipo.

Este equipo ha sido probado y se ha comprobado que cumple con los límites establecidos para un dispositivo digital de Clase B, según la Parte 15 de las normas de la FCC y la norma ICES de Industry Canada. Estos límites están diseñados para brindar una protección razonable contra interferencias perjudiciales en instalaciones residenciales. Este equipo

genera, usa y puede emitir energía de radiofrecuencia. Si no se instala y utiliza de acuerdo con las instrucciones podrá causar una interferencia dañina a las comunicaciones radiales. Sin embargo, no hay garantía de que no se produzcan interferencias en una instalación particular. Si este equipo produce interferencia en la recepción de radio o televisión, lo cual puede determinarse apagando y encendiendo la unidad, el usuario debe tratar de corregir el problema por medio de lo siguiente:

- Reorientar o reubicar la antena de recepción.
- Aumentar la distancia de separación entre el equipo y el receptor.
- Conectar el equipo a un tomacorriente de un circuito eléctrico diferente al que esté conectado el receptor.
- Consultar al distribuidor del producto o a un técnico idóneo de radio y televisión.

