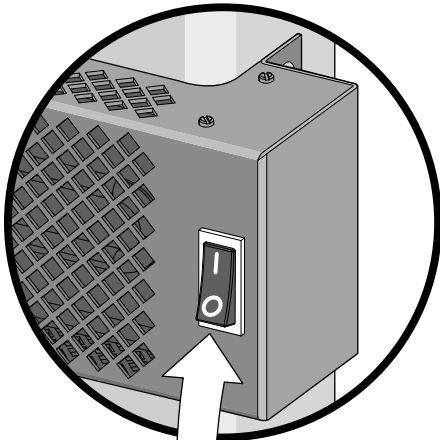
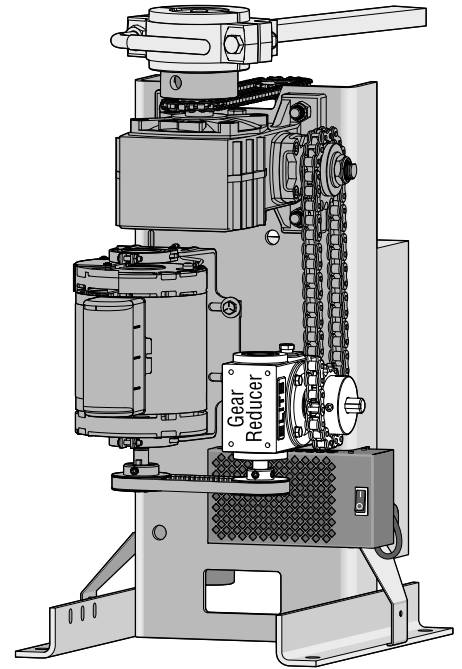


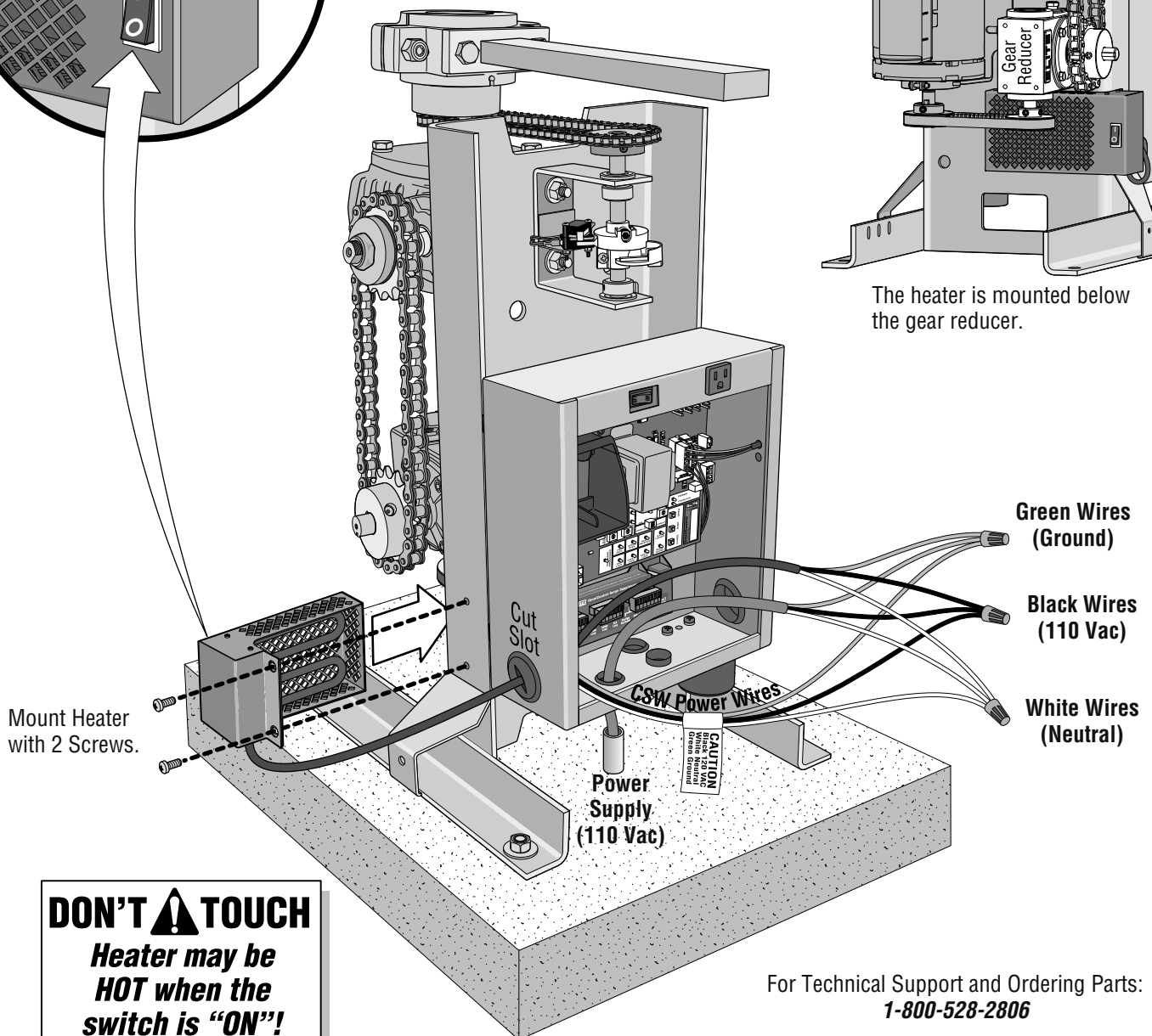
Connect the black, white and ground wire from the heater to the 110 Vac power supply as shown. When the heater switch is left in the "ON" position, the heater will turn on and off automatically as needed.



Leave Switch in "ON" Position for "Automatic".



The heater is mounted below the gear reducer.



DON'T TOUCH
Heater may be
HOT when the
switch is "ON"!

For Technical Support and Ordering Parts:
1-800-528-2806