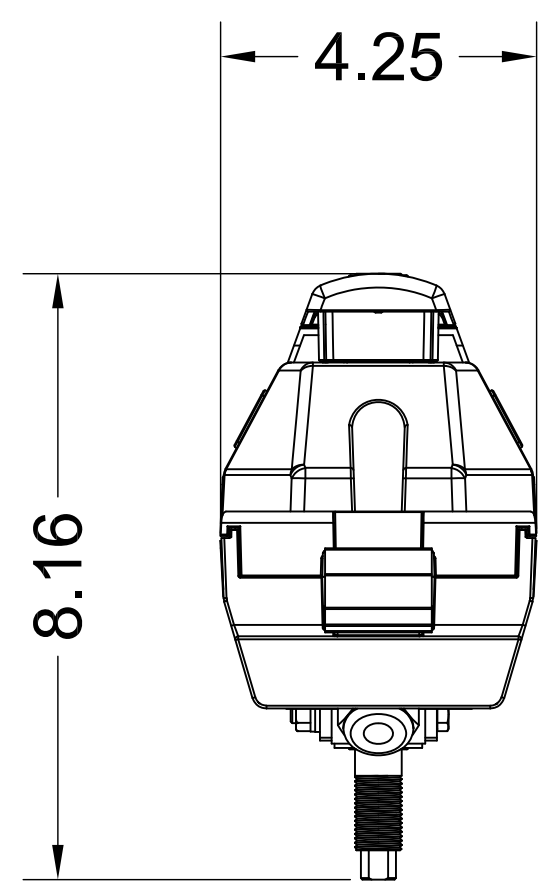
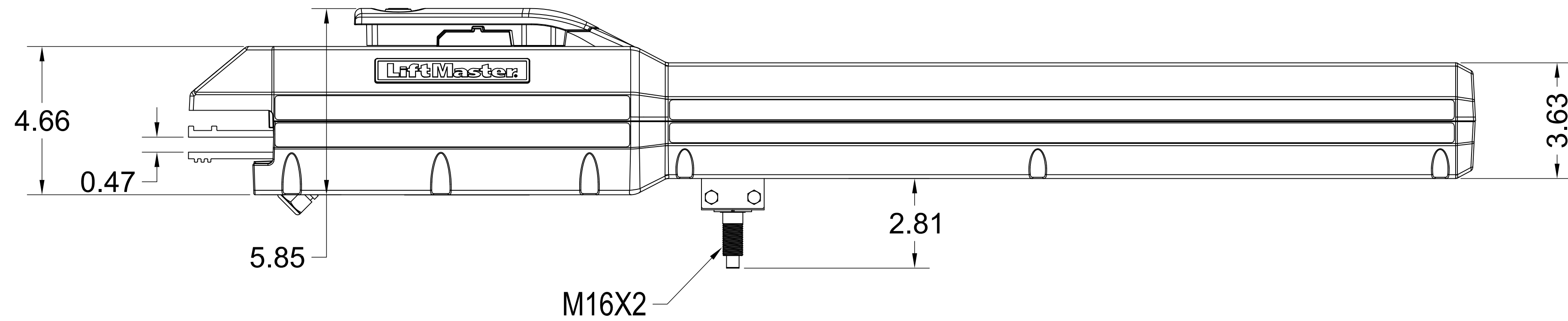


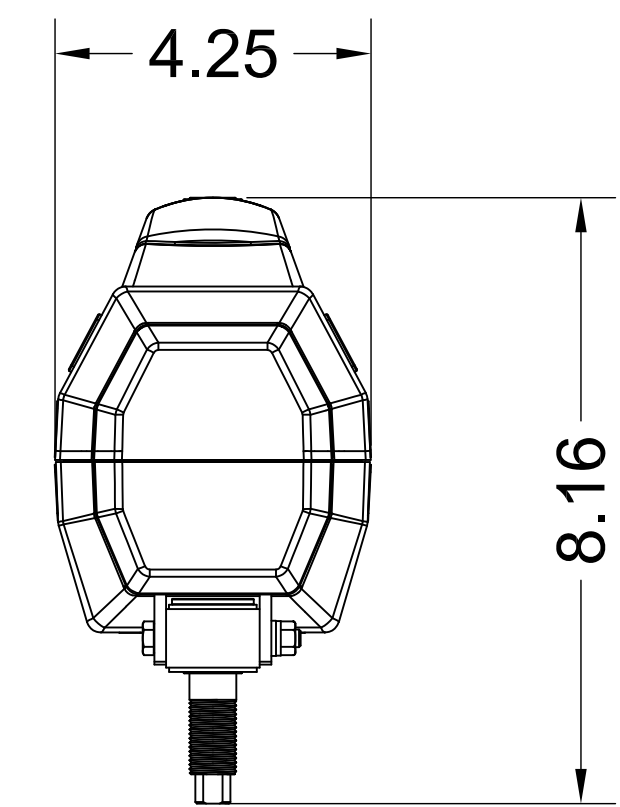
TOP VIEW



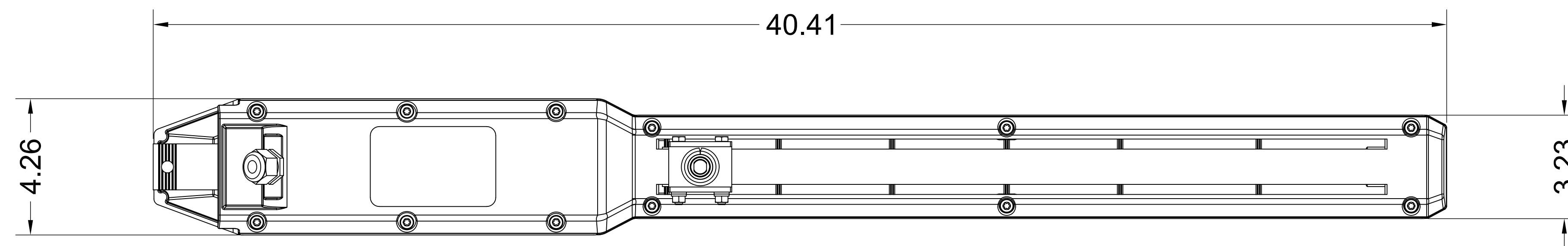
LEFT VIEW



FRONT VIEW



RIGHT VIEW



BOTTOM VIEW

(LA500DC) 12VDC RESIDENTIAL LIGHT COMMERCIAL
LINEAR ACTUATOR

		300 WINDSOR DR. OAK BROOK, IL 60523 PHONE: (630) 418-6516 FAX: (630) 516-7059	
		LIFTMASTER (CHAMBERLAIN GROUP, INC.) ENGINEERED SERVICES	
DRW. BY: B. MOFFETT DATE: 07/12/2019 TITLE: LA500DC LINEAR ACTUATOR CAD FILE: -	REVISION: SCALE: NTS	SHEET NO: <h1>1/1</h1>	