

MGJ MEDIUM-DUTY LOGIC GEAR-REDUCED JACKSHAFT OPERATOR

SECTION 08 71 1



KEY FEATURES

STANDARD APPLICATION	Recommended for small rolling steel doors/grilles/shutters and high or vertical-lift sectional overhead doors in medium duty-cycle commercial applications where a manual hoist is not required
RATED DUTY CYCLE	Medium-duty: Up to 12 cycles/hour and up to 50 cycles/day (using continuous-rated motor)
OPERATOR SPEED	8-9 Inches per second
LIMIT SETTINGS	Mechanical
EMERGENCY DISCONNECT FOR MANUAL OPERATION	Floor-level emergency release sash chain
EMERGENCY DISCONNECT WITH AUTO-RECONNECT	Reconnects when tension is removed from emergency release sash chain
PROGRAMMING	Tactile buttons
CIRCUIT BOARD	Solid-state medium-duty logic circuit board
TIMER-TO-CLOSE	Programmable from 5-60 seconds in 5-second increments
MOTOR OPERATOR WALL CONTROL	3-Button Control Station
PUSH BUTTON STATION	3-Push button station (Open/Close/Stop)

SPECIFICATIONS

RADIO RECEIVER	Security+® 315 MHz radio receiver; accepts up to 23 Security+ remote controls and unlimited DIP switch remote controls
VOLTAGE CONNECTIONS	Single-phase: 115V
CONTROL CIRCUIT	24V NEC class 2
DRIVE REDUCTION	Sealed roller bearings in gear reducer
CONSTRUCTION	NEMA 1 type electrical box; heavy-duty 11-gauge steel frame with baked-on powder coat finish; all reduction sprockets drilled and pinned to shafts
WARRANTY	2 years

INSTALLATION FEATURES

MAXIMUM DOOR HEIGHT	14 feet*
MAXIMUM DOOR WIDTH	22 feet standard with additional capability*
MAXIMUM ALLOWABLE SQUARE FOOTAGE	320 square feet

This commercial door operator must feature constant pressure to close or be equipped with an external monitored entrapment protection device. Use only LiftMaster monitored entrapment protection devices itemized on the accessory page of the operators installation manual to meet UL 325 requirements.

*Contact us at Specs@LiftMaster.com for additional capabilities.

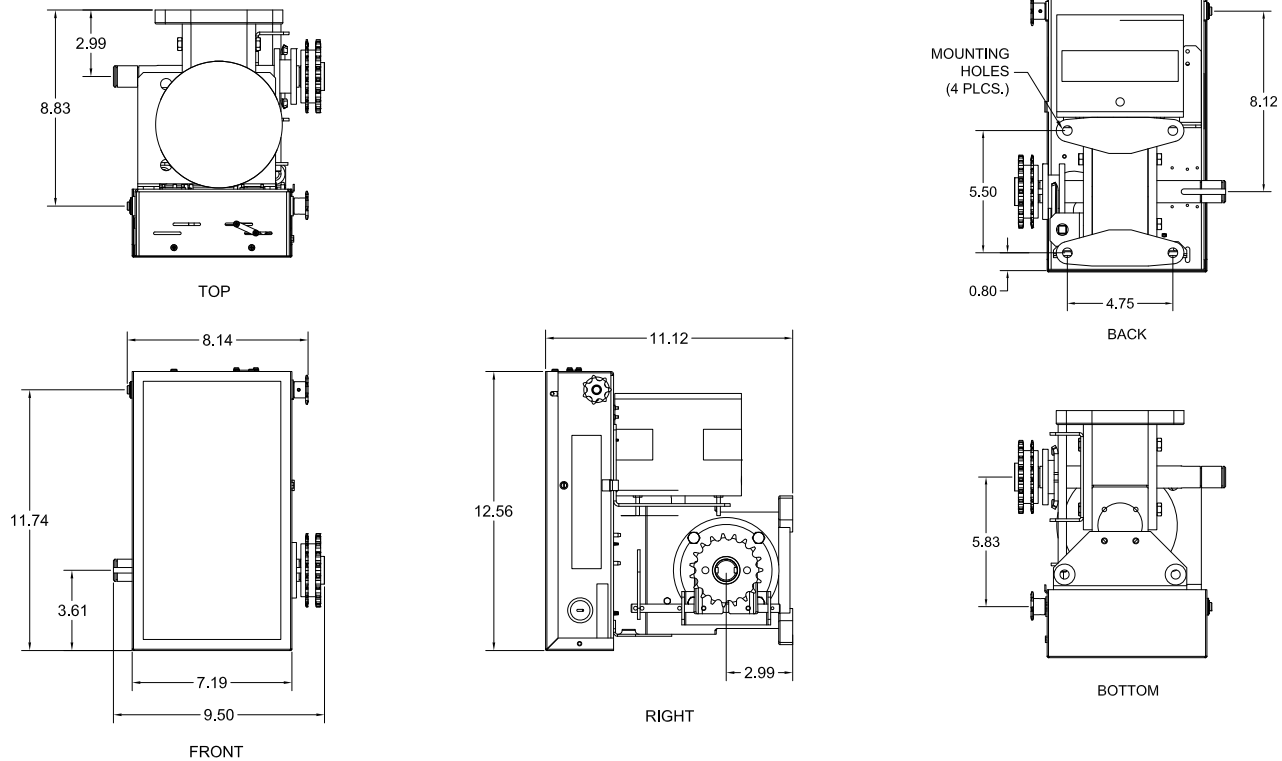
DATA SHEET
MEDIUM-DUTY LOGIC GEAR-
REDUCED JACKSHAFT OPERATOR

LiftMaster®

MGJ MEDIUM-DUTY LOGIC GEAR-REDUCED JACKSHAFT OPERATOR

SECTION 08 71 13

DIMENSIONS



CAPACITY

MAXIMUM DOOR AREA (SQ. FT.)						
ROLLING	24 GA. STEEL	22 GA. STEEL	-	20 GA. 18 GA. STEEL	16 GA. STEEL	-
	ALUMINIUM GRILLES	ALUMINIUM DOORS	-	STEEL GRILLES	-	-
SECTIONAL	-	24 GA. 22 GA. STEEL	20 GA. STEEL	-	16 GA. STEEL	-
	FIBERGLASS	ALUMINIUM DOORS	WOOD DOORS	-	-	-
	-	-	24 GA. STEEL INSULATED	-	24 GA. STEEL INSULATED	16 GA. STEEL INSULATED
SQ. FT.	320	280	260	225	200	150

On steel insulated doors, a 24-gauge back panel is assumed.
Recommended max duty cycles: 12 cycles/hour;
fewer than 50 cycles/day.