

CHAMBERLAIN®

Whisper Drive®

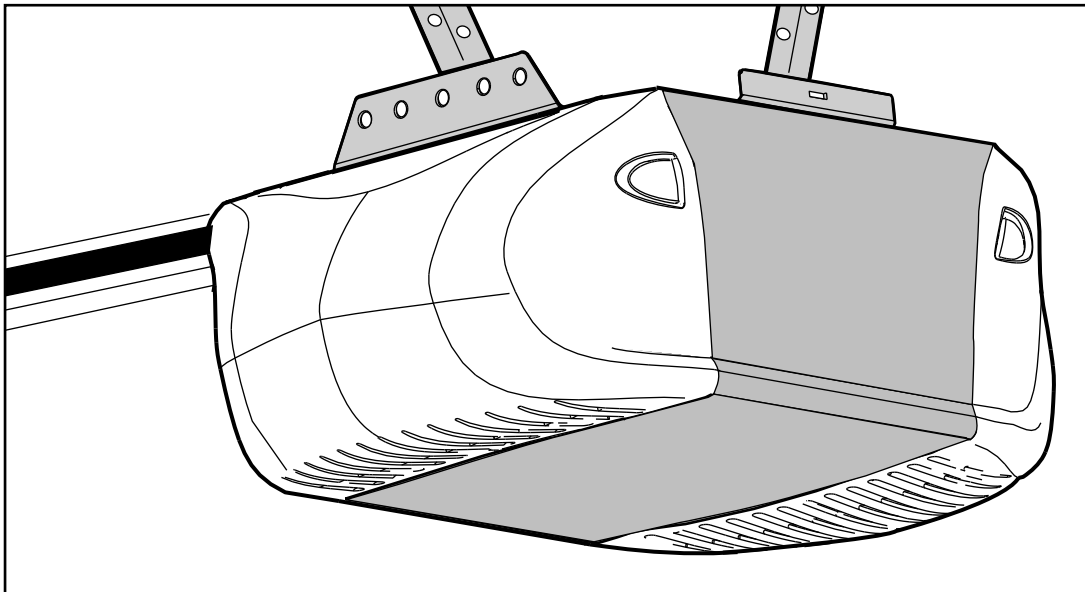
The Chamberlain Group, Inc.
845 Larch Avenue
Elmhurst, Illinois 60126-1196
www.chamberlain.com



SECURITY+® GARAGE DOOR OPENER

Model HD900D

For Residential Use Only



Owner's Manual

- Please read this manual and the enclosed safety materials carefully!
- Fasten the manual near the garage door after installation.
- The door WILL NOT CLOSE unless The Protector System® is connected and properly aligned.
- Periodic checks of the opener are required to ensure safe operation.
- The model number label is located on the left side panel of your opener.

TABLE OF CONTENTS

Introduction	2-7	Adjustment	28-30
Safety symbol and signal word review	2	Program the travel limits	28
Preparing your garage door	3	Set the force	29
Tools needed	3	Test the safety reversal system	30
Planning	4-5	Test The Protector System®	30
Carton inventory	6	Operation	31-37
Hardware inventory	7	Operation safety instructions	31
Assembly	8-11	Using your garage door opener	31
Assemble the rail and install the trolley	8	Using the wall-mounted door control	32
Fasten the rail to the motor unit	9	Battery backup (Optional)	33
Install the idler pulley	9	To open the door manually	34
Install the belt and attach the belt cap retainer	10	Care of your opener	34
Set the tension	11	Having a problem? (Troubleshooting)	35
Installation	11-27	Diagnostic chart	36
Installation safety instructions	11	Smart Control Panel® messages	37
Determine the header bracket location	12	Programming	38-39
Install the header bracket	13	To add or reprogram a hand-held remote control	38
Attach the rail to the header bracket	14	To erase all codes from motor unit memory	38
Position the opener	15	3-Button remotes	38
Hang the opener	16	To add, reprogram or change a keyless entry PIN	39
Install the door control	17	Repair Parts	40-41
Install the battery	18	Rail assembly parts	40
Install the lights	18	Installation parts	40
Attach the emergency release rope and handle	19	Motor unit assembly parts	41
Electrical requirements	20	Notes	42
Install The Protector System®	21-23	Accessories	43
Fasten the door bracket	24-25	Repair Parts and Service	44
Connect the door arm to the trolley	26-27	Warranty	44

INTRODUCTION

Safety Symbol and Signal Word Review

This garage door opener has been designed and tested to offer safe service provided it is installed, operated, maintained and tested in strict accordance with the instructions and warnings contained in this manual.

WARNING

Mechanical

WARNING

Electrical

CAUTION

When you see these Safety Symbols and Signal Words on the following pages, they will alert you to the possibility of **serious injury or death** if you do not comply with the warnings that accompany them. The hazard may come from something mechanical or from electric shock. Read the warnings carefully.

When you see this Signal Word on the following pages, it will alert you to the possibility of damage to your garage door and/or the garage door opener if you do not comply with the cautionary statements that accompany it. Read them carefully.

Preparing your garage door

Before you begin:

- Disable locks.
- Remove any ropes connected to garage door.
- **Complete the following test** to make sure your garage door is balanced and is not sticking or binding:
 1. Lift the door about halfway as shown. Release the door. If balanced, it should stay in place, supported entirely by its springs.
 2. Raise and lower the door to see if there is any binding or sticking.

If your door binds, sticks, or is out of balance, call a trained door systems technician.

⚠ WARNING

To prevent possible **SERIOUS INJURY** or **DEATH**:

- **ALWAYS** call a trained door systems technician if garage door binds, sticks, or is out of balance. An unbalanced garage door may **NOT** reverse when required.
- **NEVER** try to loosen, move or adjust garage door, door springs, cables, pulleys, brackets or their hardware, **ALL** of which are under **EXTREME** tension.
- Disable **ALL** locks and remove **ALL** ropes connected to garage door **BEFORE** installing and operating garage door opener to avoid entanglement.

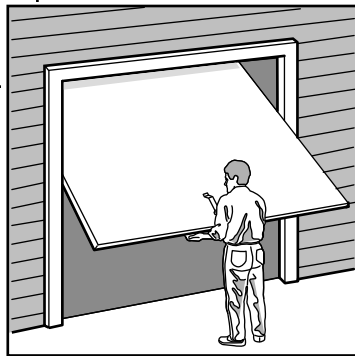
CAUTION

To prevent damage to garage door and opener:

- **ALWAYS** disable locks **BEFORE** installing and operating the opener.
- **ONLY** operate garage door opener at 120V, 60 Hz to avoid malfunction and damage.



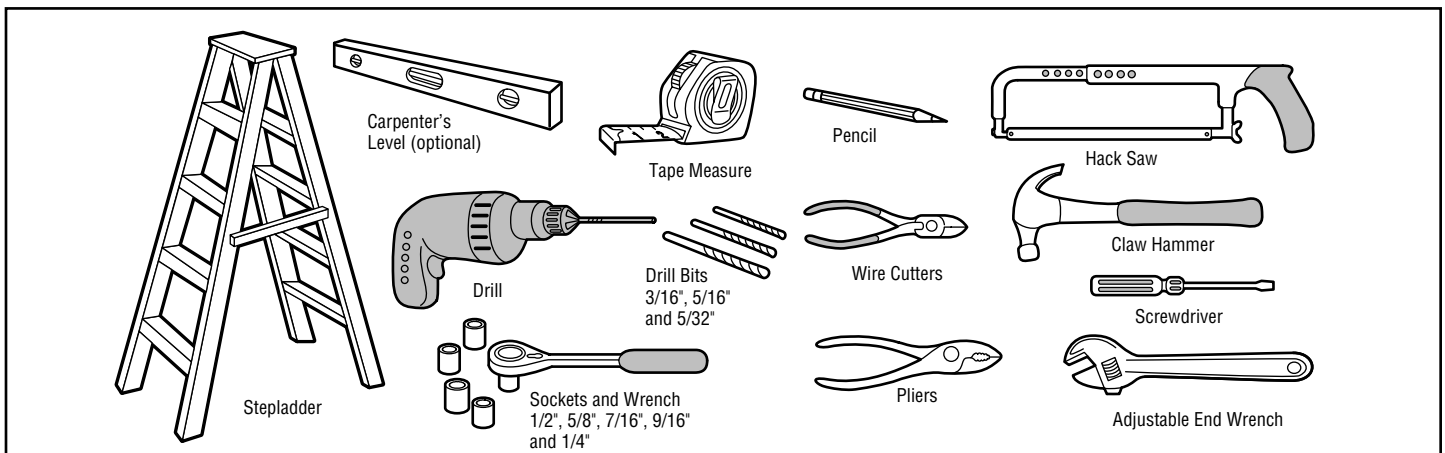
Sectional Door



One-Piece Door

Tools needed

During assembly, installation and adjustment of the opener, instructions will call for hand tools as illustrated below.



Planning

Identify the type and height of your garage door. Survey your garage area to see if any of the conditions below apply to your installation. Additional materials may be required. You may find it helpful to refer back to this page and the accompanying illustrations as you proceed with the installation of your opener.

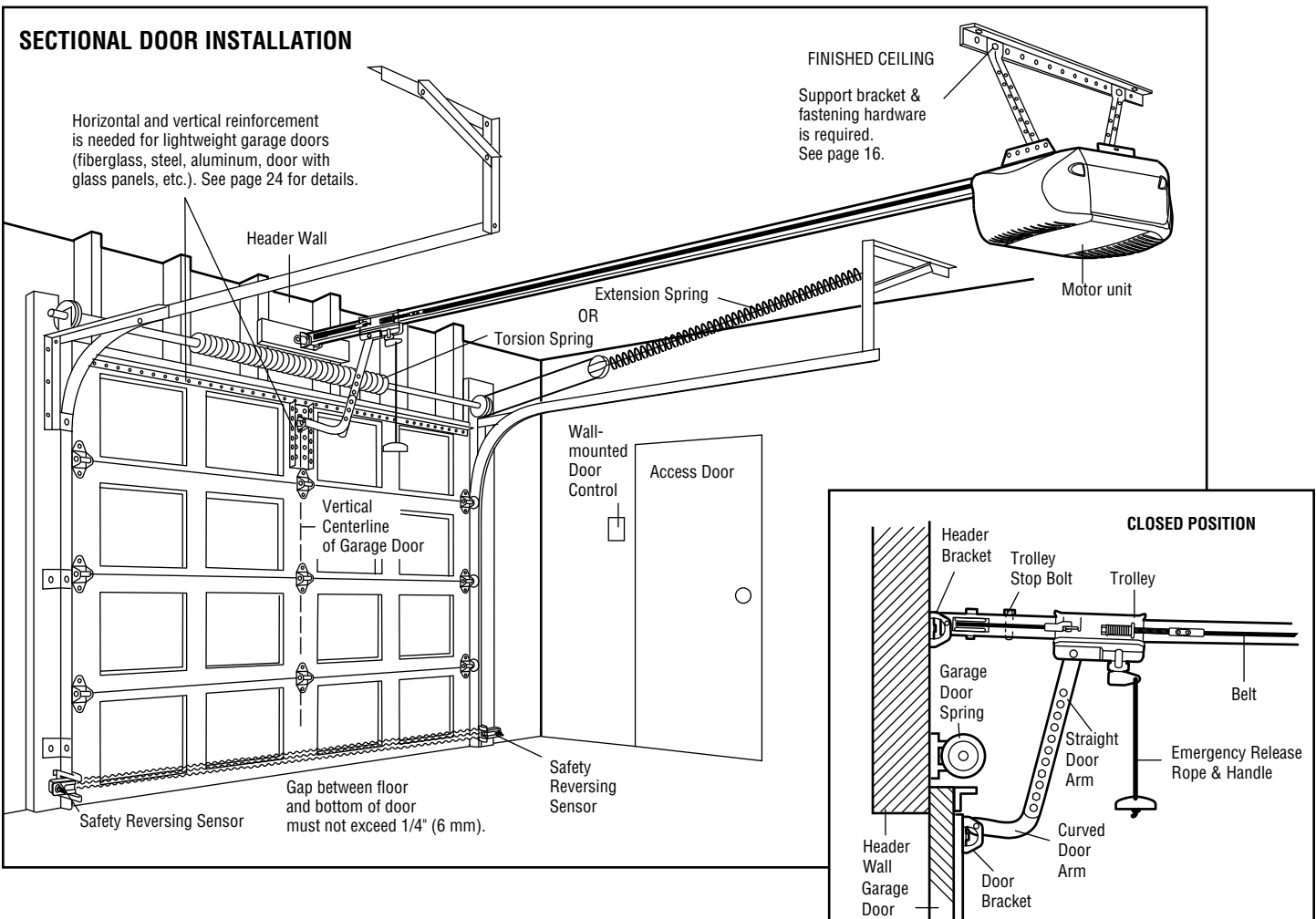
Depending on your requirements, there are several installation steps which may call for materials or hardware not included in the carton.

- Installation Step 1 – Look at the wall or ceiling above the garage door. The header bracket must be securely fastened to structural supports.
- Installation Step 5 – Do you have a finished ceiling in your garage? If so, a support bracket and additional fastening hardware may be required.
- Installation Step 11 – Depending upon garage construction, extension brackets or wood blocks may be needed to install sensors.
- Installation Step 11 – Alternate floor mounting of the safety reversing sensor will require hardware not provided.
- Do you have an access door in addition to the garage door? If not, Model 7702CB Emergency Key Release is required. See Accessories page.

- Look at the garage door where it meets the floor. Any gap between the floor and the bottom of the door must not exceed 1/4" (6 mm). Otherwise, the safety reversal system may not work properly. See Adjustment Step 3. Floor or door should be repaired.

SECTIONAL DOOR INSTALLATIONS

- Do you have a steel, aluminum, fiberglass or glass panel door? If so, horizontal and vertical reinforcement is required (Installation Step 12).
- The opener should be installed above the center of the door. If there is a torsion spring or center bearing plate in the way of the header bracket, it may be installed within 4 feet (1.2 m) to the left or right of the door center. See Installation Steps 1 and 12.
- If your door is more than 7 feet (2.1 m) high, see rail extension kits listed on Accessories page.



Planning (Continued)

ONE-PIECE DOOR INSTALLATIONS

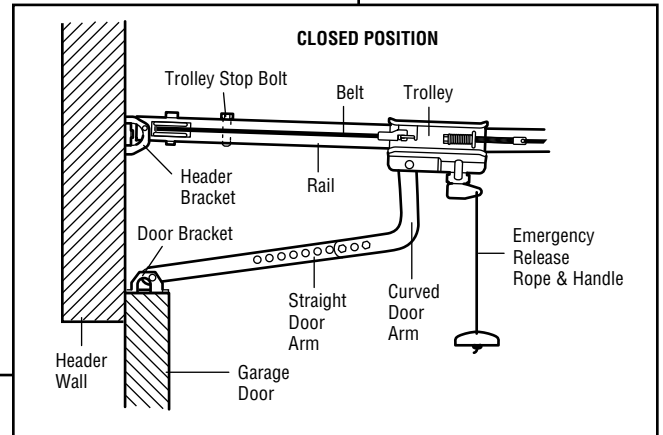
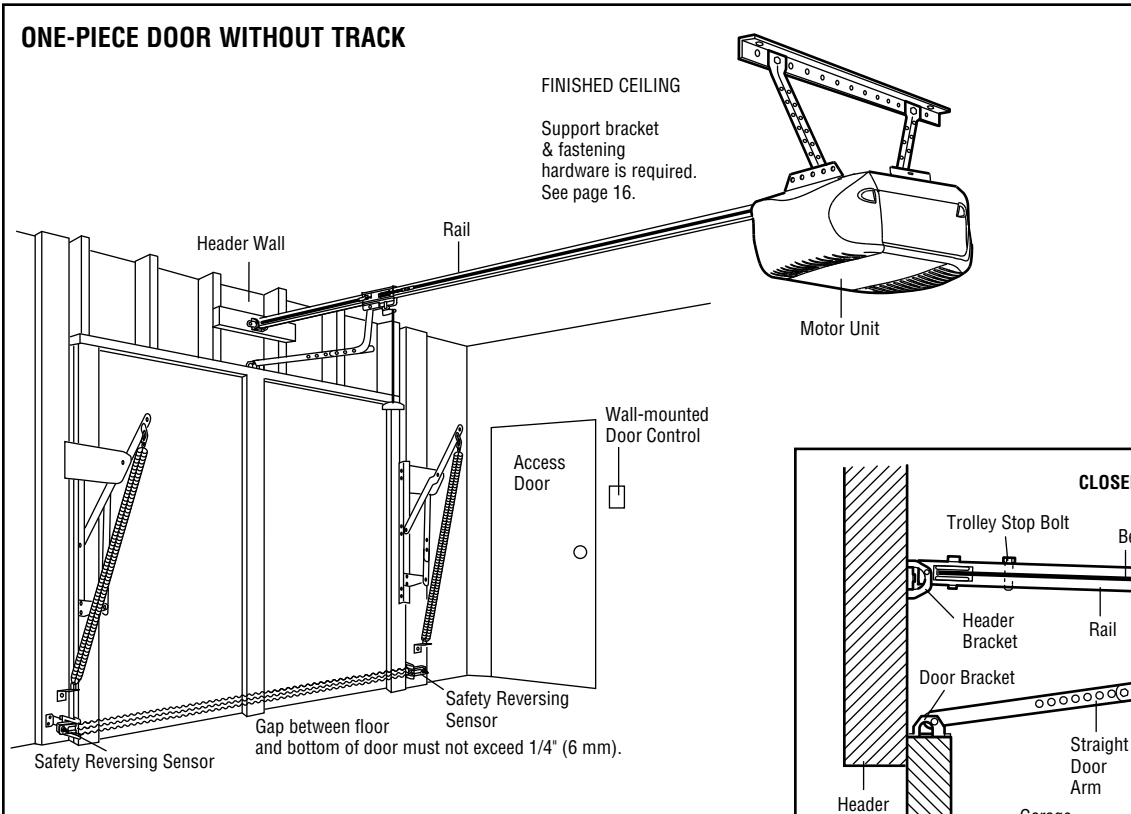
- Generally, a one-piece door does not require reinforcement. If your door is lightweight, refer to the information relating to sectional doors in Installation Step 12.
- Depending on your door's construction, you may need additional mounting hardware for the door bracket (Step 12).

! WARNING

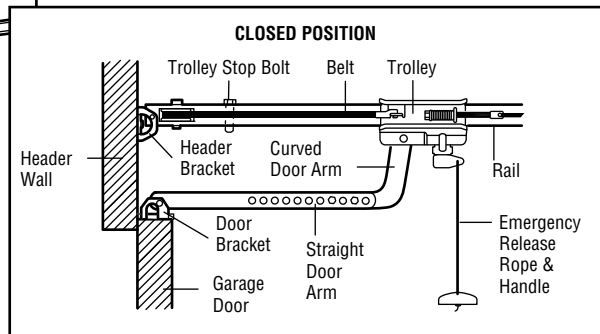
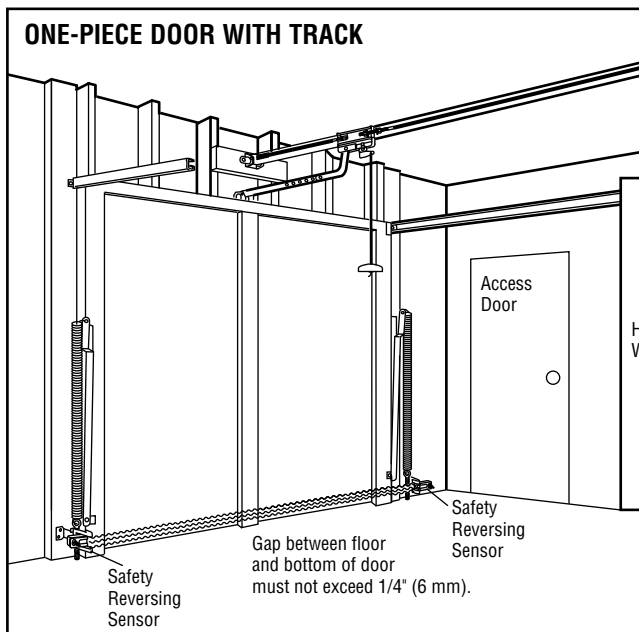
Without a properly working safety reversal system, persons (particularly small children) could be **SERIOUSLY INJURED** or **KILLED** by a closing garage door.

- The gap between the bottom of the garage door and the floor **MUST NOT** exceed 1/4" (6 mm). Otherwise, the safety reversal system may **NOT** work properly.
- The floor or the garage door **MUST** be repaired to eliminate the gap.

ONE-PIECE DOOR WITHOUT TRACK



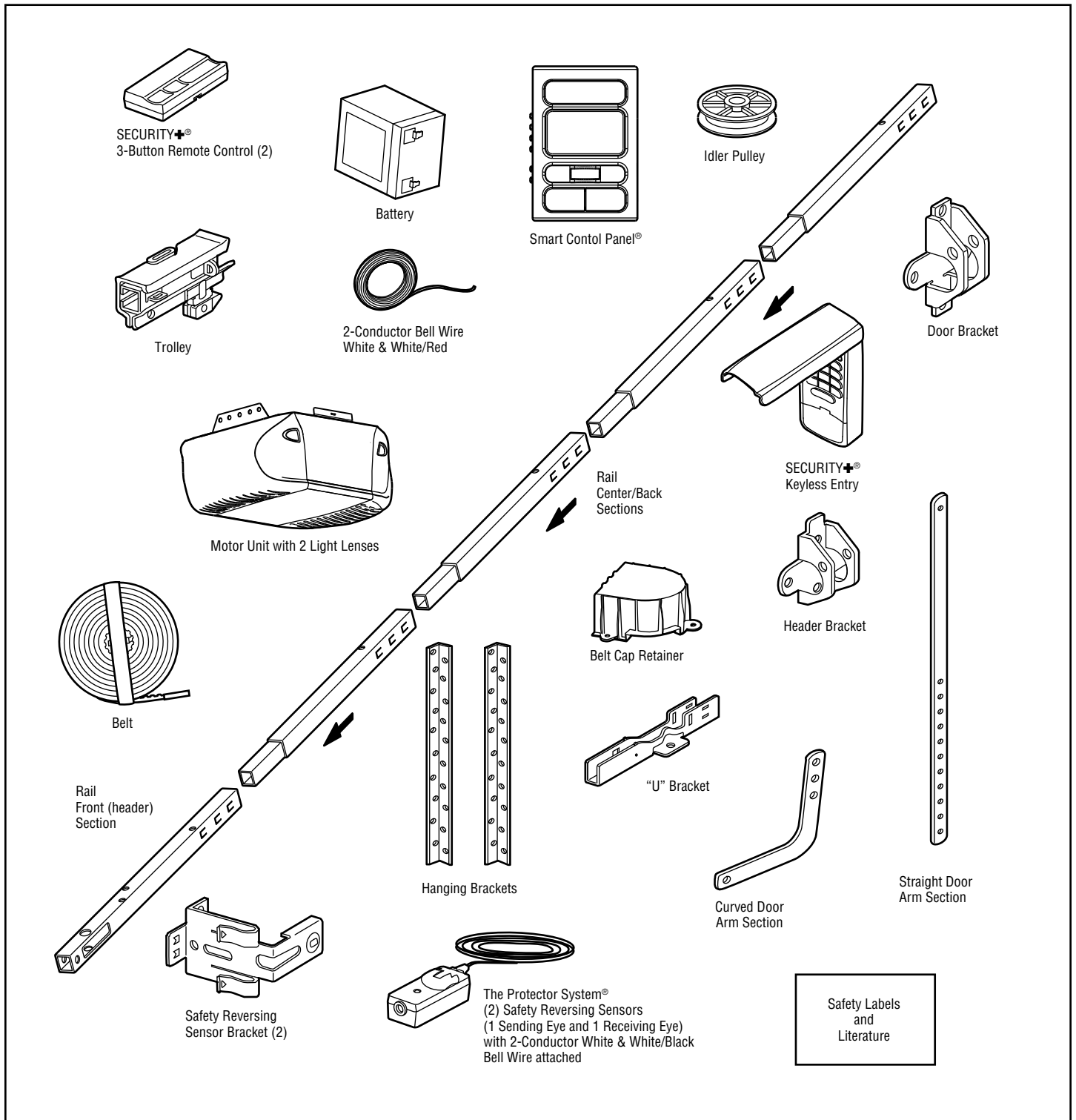
ONE-PIECE DOOR WITH TRACK



Carton Inventory

Your garage door opener is packaged in one carton which contains the motor unit and all parts illustrated below. Accessories will depend on the model purchased. If anything is missing, carefully check the packing material. Parts may be stuck

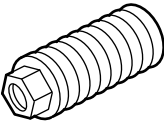
in the foam. Hardware for assembly and installation is shown on the next page. Save the carton and packing material until installation and adjustment is complete.



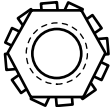
Hardware Inventory

Separate all hardware and group as shown below for the assembly and installation procedures.

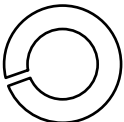
ASSEMBLY HARDWARE



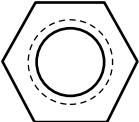
Spring/Trolley Nut (1)



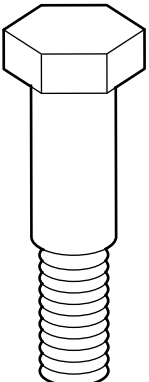
Lock Nut
1/4"-20 (2)



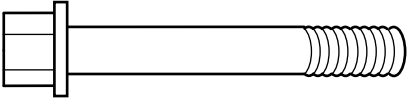
Lock Washer
3/8" (1)



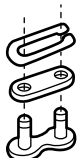
Nut
3/8" (1)



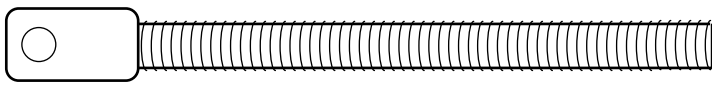
Idler Bolt (1)



Bolt 1/4"-20x1-3/4" (2)

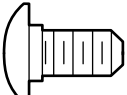


Master Link (2)




Trolley Threaded Shaft (1)


INSTALLATION HARDWARE




Carriage Bolt
1/4"-20x1/2" (2)




Wing Nut
1/4"-20 (2)



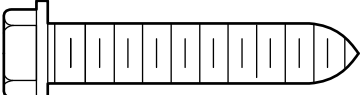
Ring Fastener (3)



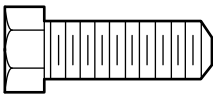
Nut 5/16"-18 (8)




Handle




Lag Screw
5/16"-9x1-5/8" (2)



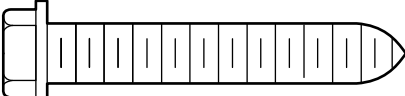
Hex Bolt
5/16"-18x7/8" (4)



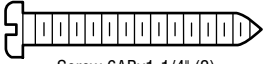
Lock Washer 5/16" (7)



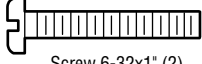
Insulated Staples (30)



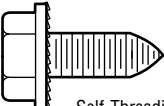
Lag Screw 5/16"-18x1-7/8" (2)



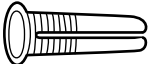
Screw 6ABx1-1/4" (2)



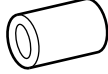
Screw 6-32x1" (2)




Self-Threading Screw
1/4"-14x5/8" (2)



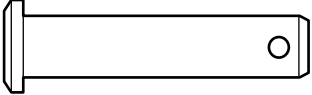
Drywall Anchors (2)



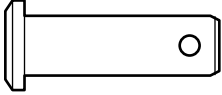
Spacer (2)



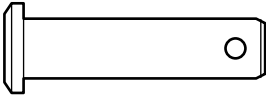
Rope



Clevis Pin
5/16"x1-1/2" (1)



Clevis Pin
5/16"x1" (1)



Clevis Pin
5/16"x1-1/4" (1)

ASSEMBLY STEP 1

Assemble the Rail & Install the Trolley

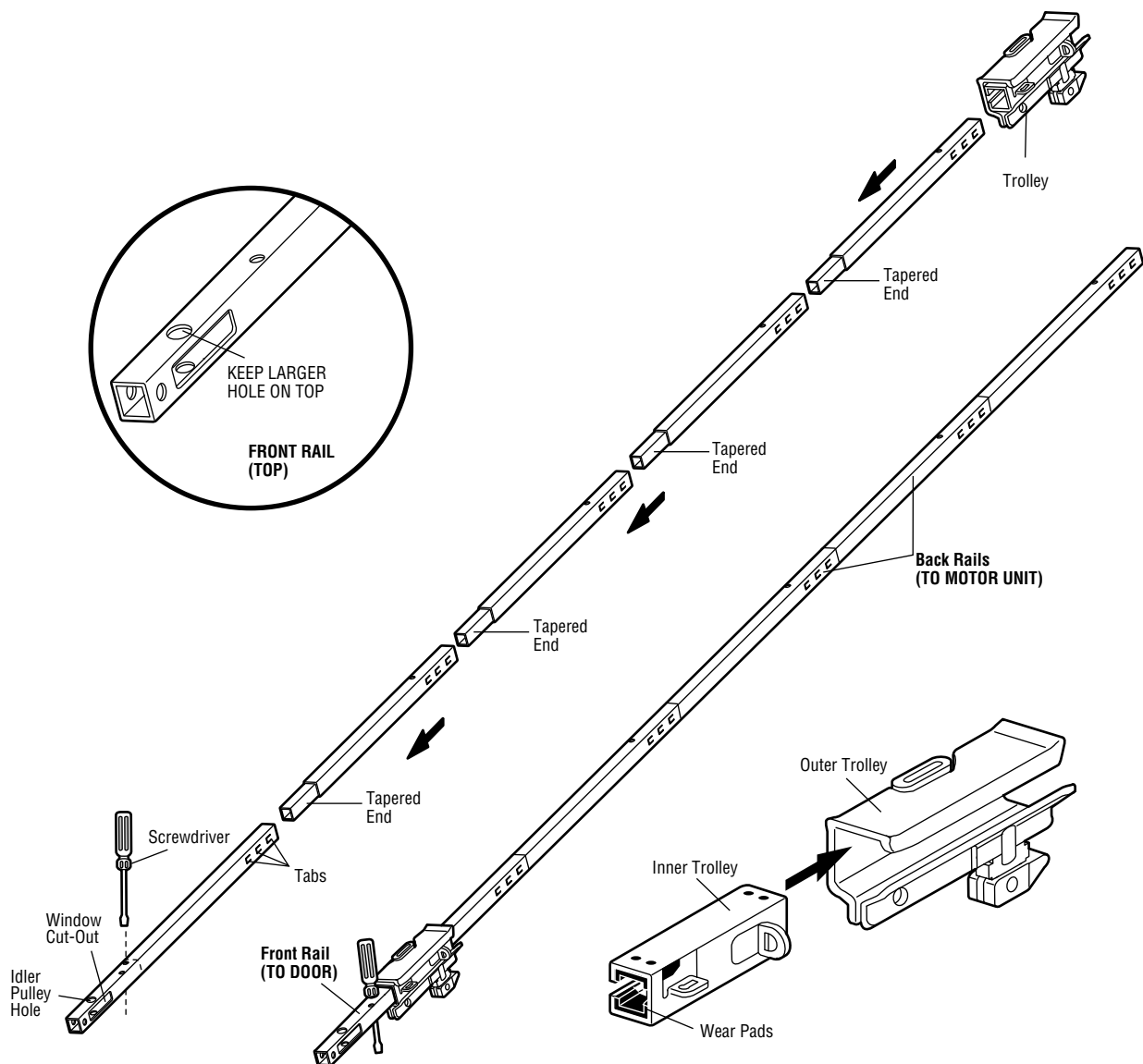
To avoid installation difficulties, do not run the garage door opener until instructed to do so.

The front rail has a cut out "window" at the door end (see illustration). **The hole above this window is larger on the top of the rail than on the bottom.** A smaller hole 3-1/2" (8.9 cm) away is close to the rail edge. Rotate the back rail so it has a similar hole close to the **opposite edge**, about 4-3/4" (12 cm) from the far end.

1. Remove the straight door arm and hanging bracket packaged inside the front rail and set aside for Installation Step 5 and 12. **NOTE:** To prevent INJURY while unpacking the rail carefully remove the straight door arm stored within the rail section.
2. Align the rail sections on a flat surface as shown and slide the tapered ends into the larger ones. Tabs along the side will lock into place.

<h2>CAUTION</h2> <p>To prevent INJURY from pinching, keep hands and fingers away from the joints while assembling the rail.</p>

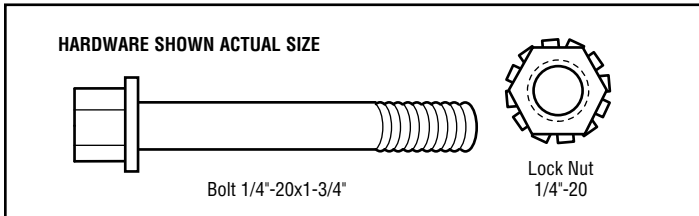
3. Place the motor unit on packing material to protect the cover, and rest the back end of the rail on top. For convenience, put a support under the front end of the rail.
4. As a temporary stop, insert a screwdriver into the hole 10" (25 cm) from the front end of the rail, as shown.
5. Check to be sure there are 4 plastic wear pads inside the inner trolley. If they became loose during shipping, check all packing material. Snap them back into position as shown.
6. Slide the trolley assembly along the rail from the back end to the screwdriver.



ASSEMBLY STEP 2

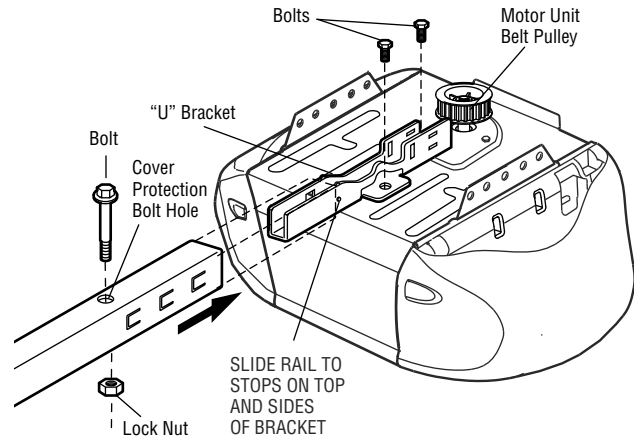
Fasten the Rail to the Motor Unit

- Insert a 1/4"-20x1-3/4" bolt into the cover protection bolt hole on the back end of the rail as shown. Tighten securely with a 1/4"-20 lock nut. *DO NOT* overtighten.
- Remove the two bolts from the top of the motor unit.
- Place the "U" bracket, flat side down, on the motor unit and align the bracket holes with the bolt holes. Fasten with the previously removed bolts.
- Align the rail assembly with the top of the motor unit. Slide the rail end onto the "U" bracket, *all the way to the stops that protrude on the top and sides of the bracket*.



CAUTION

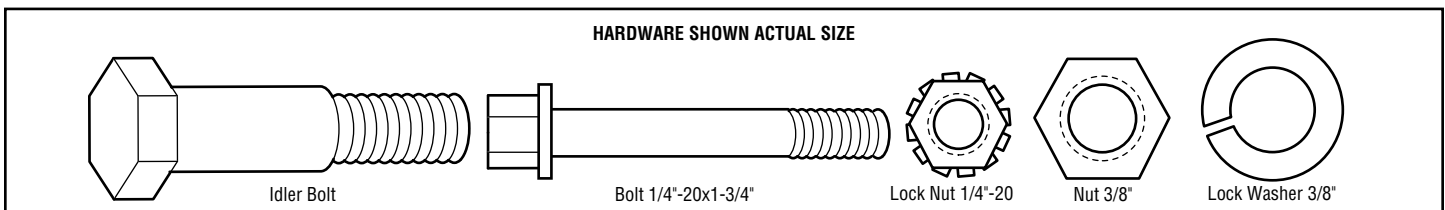
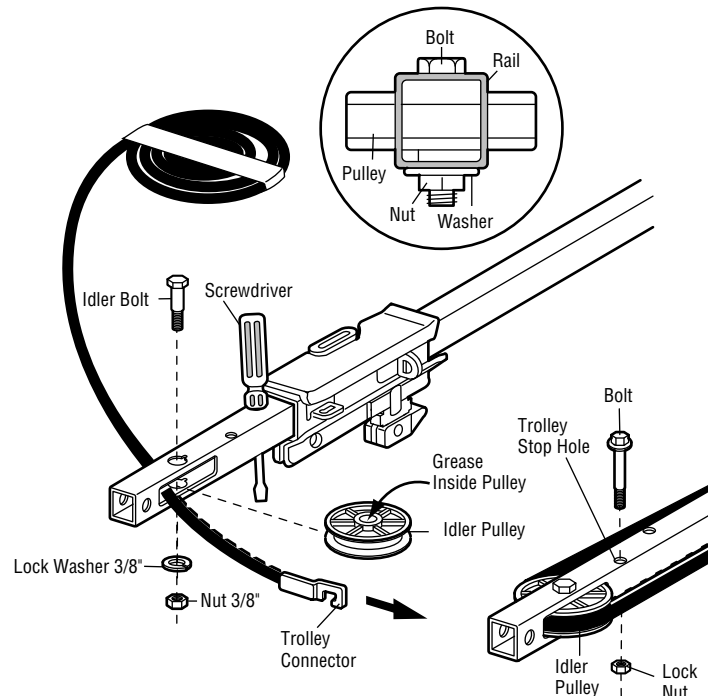
To avoid **SERIOUS** damage to garage door opener, use **ONLY** those bolts/fasteners mounted in the top of the opener.



ASSEMBLY STEP 3

Install the Idler Pulley

- Lay the belt beside the rail, as shown. Grasp the end with the hooked trolley connector and pass approximately 12" (30 cm) of belt through the window. Keep the ribbed side toward the rail, and allow it to hang until Assembly Step 5.
- Remove the tape from the idler pulley. The inside center should be pre-greased. If dry, regrease to ensure proper operation.
- Place the idler pulley into the window as shown.
- Insert the idler bolt from the top through the rail and pulley. Tighten with a 3/8" lock washer and nut underneath the rail until the lock washer is compressed.
- Rotate the pulley to be sure it spins freely.
- Insert a 1/4"-20x1-3/4" bolt into the trolley stop hole in the front of the rail as shown. Tighten securely with a 1/4"-20 lock nut.



ASSEMBLY STEP 4

Install the Belt and Attach the Belt Cap Retainer

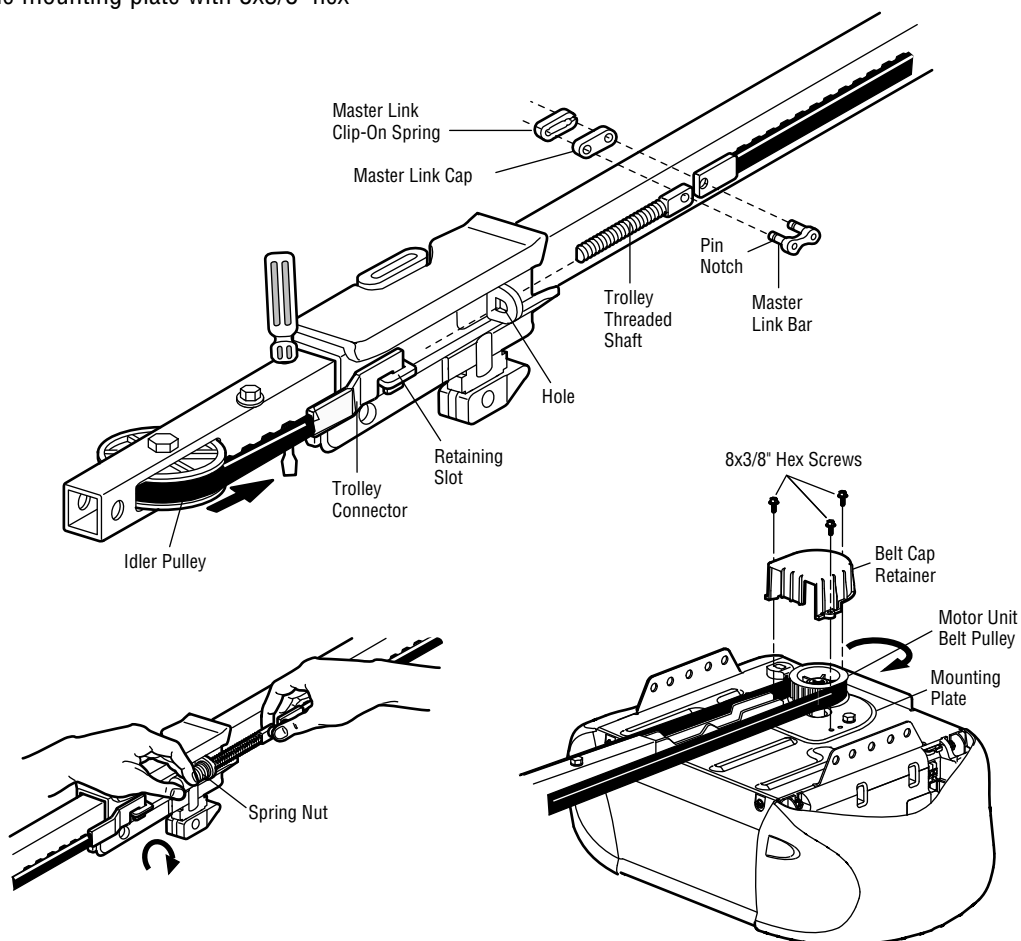
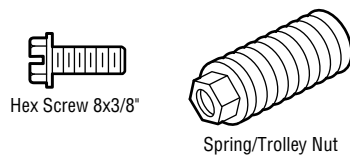
1. Pull the belt around the idler pulley and toward the trolley.
The ribbed side must contact the pulley.
2. Hook the trolley connector into the retaining slot on the trolley as shown.
3. With the trolley against the screwdriver, dispense the remainder of the belt along the rail length toward the motor unit and around the belt pulley. The belt pulley teeth must engage the belt.
4. Check to make sure the belt is not twisted and the **FLAT** side of the trolley threaded shaft is facing the rail. Connect the trolley threaded shaft with the master link, as illustrated:
 - Push pins of master link bar through holes in end of belt and trolley threaded shaft.
 - Push master link cap over pins and past pin notches.
 - Slide clip-on spring over cap and onto pin notches until both pins are securely locked in place.
5. Insert the trolley threaded shaft through the hole in the trolley. *Be sure the belt is not twisted and the **FLAT** side of the trolley threaded shaft faces the rail.*
6. Hold the belt at the trolley shaft as you thread the spring nut by hand onto the shaft until finger tight against the trolley. *DO NOT use any tools.*
7. Remove the screwdriver.
8. Position the belt cap retainer over the motor unit belt pulley as shown and fasten to the mounting plate with 8x3/8" hex screws provided.

⚠ WARNING

To avoid possible **SERIOUS INJURY** to fingers from moving garage door opener:

- ALWAYS keep hand clear of belt pulley while operating opener.
- Securely attach belt pulley cover **BEFORE** operating.

HARDWARE SHOWN ACTUAL SIZE



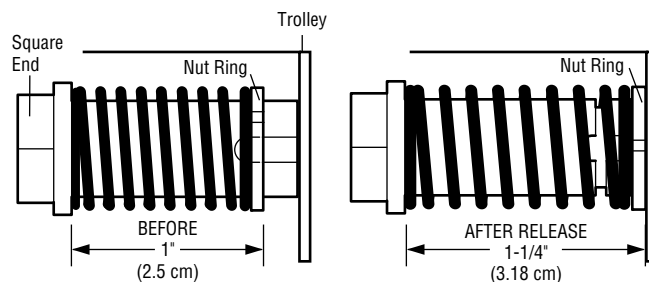
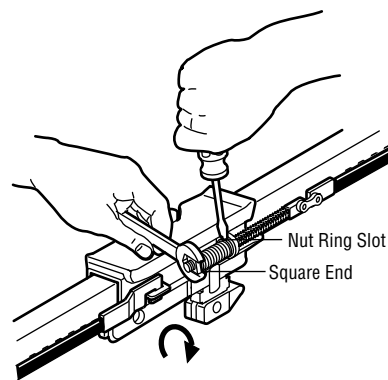
ASSEMBLY STEP 5

Set the Tension

- Insert a screwdriver tip into one of the nut ring slots and brace it firmly against the trolley.
- Place a 7/16" open end wrench on the square end. Rotate the nut about 1/4 turn until the spring releases and snaps the nut ring against the trolley.

This sets the spring to optimum belt tension.

You have now finished assembling your garage door opener. Please read the following warnings before proceeding to the installation section.



INSTALLATION

IMPORTANT INSTALLATION INSTRUCTIONS

WARNING

To reduce the risk of SEVERE INJURY or DEATH:

1. READ AND FOLLOW ALL INSTALLATION WARNINGS AND INSTRUCTIONS.
2. Install garage door opener ONLY on properly balanced and lubricated garage door. An improperly balanced door may NOT reverse when required and could result in SEVERE INJURY or DEATH.
3. ALL repairs to cables, spring assemblies and other hardware MUST be made by a trained door systems technician BEFORE installing opener.
4. Disable ALL locks and remove ALL ropes connected to garage door BEFORE installing opener to avoid entanglement.
5. Install garage door opener 7 feet (2.1 m) or more above floor.
6. Mount emergency release handle 6 feet (1.8 m) above floor.
7. NEVER connect garage door opener to power source until instructed to do so.
8. NEVER wear watches, rings or loose clothing while installing or servicing opener. They could be caught in garage door or opener mechanisms.
9. Install wall-mounted garage door control:
 - within sight of the garage door.
 - out of reach of children at minimum height of 5 feet (1.5 m).
 - away from ALL moving parts of the door.
10. Place entrapment warning label on wall next to garage door control.
11. Place manual release/safety reverse test label in plain view on inside of garage door.
12. Upon completion of installation, test safety reversal system. Door MUST reverse on contact with a 1-1/2" (3.8 cm) high object (or a 2x4 laid flat) on the floor.
13. To avoid SERIOUS PERSONAL INJURY or DEATH from electrocution, disconnect ALL electric and battery power BEFORE performing ANY service or maintenance.

INSTALLATION STEP 1

Determine the Header Bracket Location

⚠ WARNING

To prevent possible SERIOUS INJURY or DEATH:

- Header bracket **MUST** be RIGIDLY fastened to structural support on header wall or ceiling, otherwise garage door might NOT reverse when required. **DO NOT** install header bracket over drywall.
- Concrete anchors **MUST** be used if mounting header bracket or 2x4 into masonry.
- NEVER try to loosen, move or adjust garage door, springs, cables, pulleys, brackets, or their hardware, ALL of which are under EXTREME tension.
- ALWAYS call a trained door systems technician if garage door binds, sticks, or is out of balance. An unbalanced garage door might NOT reverse when required.

Installation procedures vary according to garage door types. Follow the instructions which apply to your door.

1. Close the door and mark the inside vertical centerline of the garage door.
2. Extend the line onto the header wall above the door.

You can fasten the header bracket within 4' (1.22 m) of the left or right of the door center only if a torsion spring or center bearing plate is in the way; or you can attach it to the ceiling (see page 13) when clearance is minimal. (It may be mounted on the wall upside down if necessary, to gain approximately 1/2" (1 cm).)

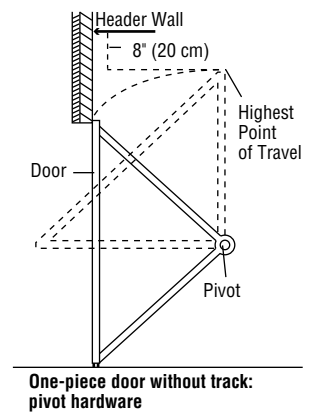
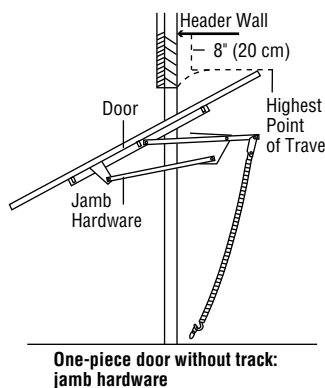
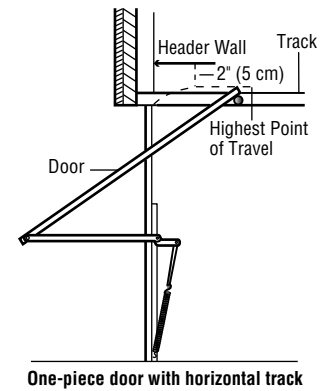
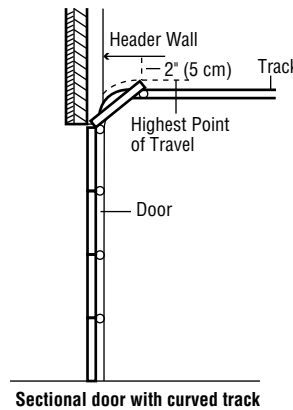
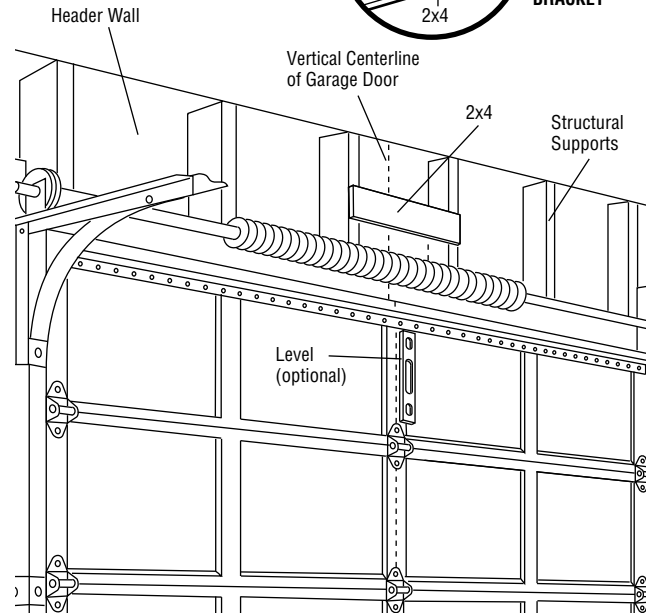
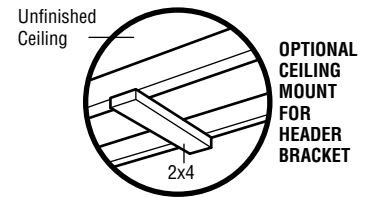
If you need to install the header bracket on a 2x4 (on wall or ceiling), use lag screws (not provided) to securely fasten the 2x4 to structural supports as shown here and on page 13.

3. Open your door to the highest point of travel as shown. Draw an intersecting horizontal line on the header wall above the high point:

- 2" (5 cm) above the high point for sectional door and one-piece door with track.
- 8" (20 cm) above the high point for one-piece door without track.

This height will provide travel clearance for the top edge of the door.

NOTE: If the total number of inches exceeds the height available in your garage, use the maximum height possible, or refer to page 13 for ceiling installation.



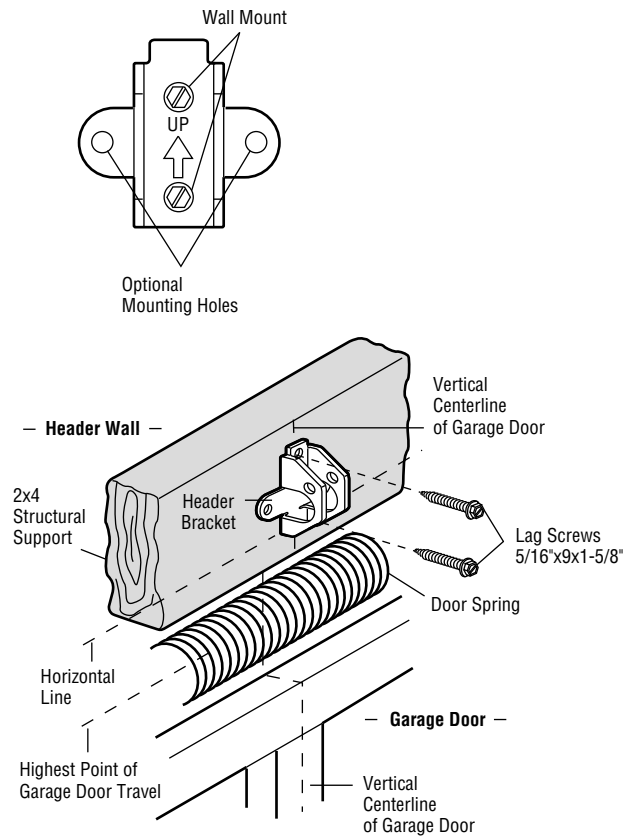
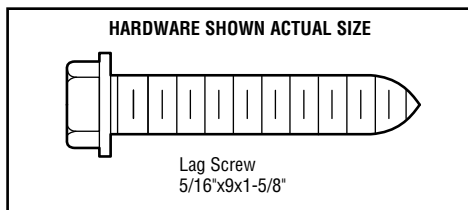
INSTALLATION STEP 2

Install the Header Bracket

You can attach the header bracket either to the wall above the garage door, or to the ceiling. Follow the instructions which will work best for your particular requirements. **Do not install the header bracket over drywall. If installing into masonry, use concrete anchors (not provided).**

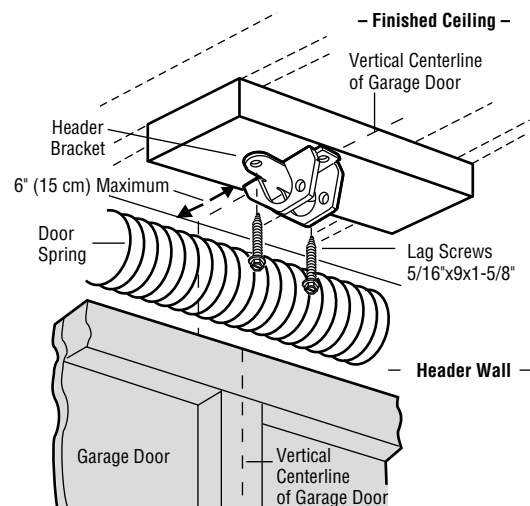
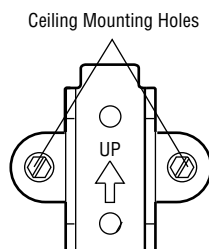
WALL HEADER BRACKET INSTALLATION

- Center the bracket on the vertical centerline with the bottom edge of the bracket on the horizontal line as shown (with the arrow pointing toward the ceiling).
- Mark the vertical set of bracket holes. Drill 3/16" pilot holes and fasten the bracket securely to a structural support with the hardware provided.



CEILING HEADER BRACKET INSTALLATION

- Extend the vertical centerline onto the ceiling as shown.
- Center the bracket on the vertical mark, no more than 6" (15 cm) from the wall. Make sure the arrow is pointing away from the wall. The bracket can be mounted flush against the ceiling when clearance is minimal.
- Mark the side holes. Drill 3/16" pilot holes and fasten bracket securely to a structural support with the hardware provided.



INSTALLATION STEP 3

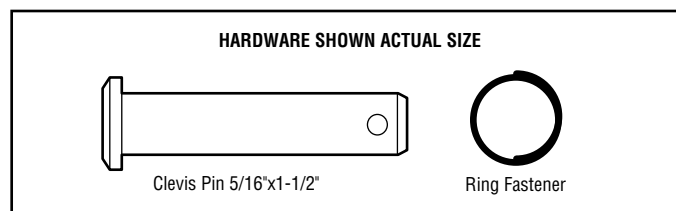
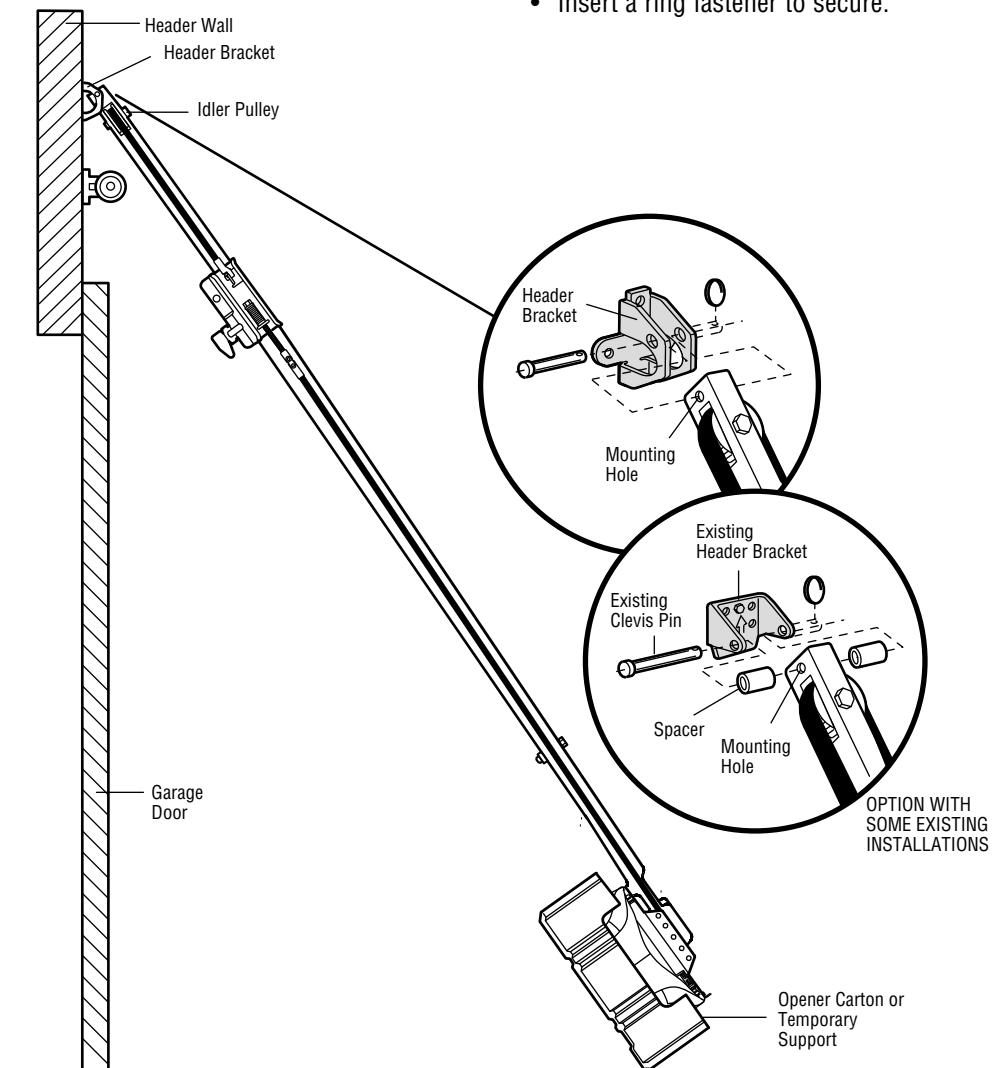
Attach the Rail to the Header Bracket

NOTE: (Optional) With some existing installations, you may re-use the old header bracket with the two plastic spacers included in the hardware bag. Place the spacers inside the bracket on each side of the rail, as illustrated.

- Position the opener on the garage floor below the header bracket. Use packing material as a protective base.

NOTE: If the door spring is in the way you'll need help. Have someone hold the opener securely on a temporary support to allow the rail to clear the spring.

- Position the rail bracket against the header bracket.
- Align the bracket holes and join with a clevis pin as shown.
- Insert a ring fastener to secure.



INSTALLATION STEP 4

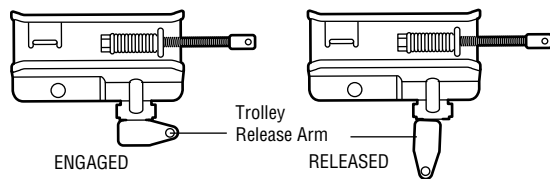
Position the Opener

Follow instructions which apply to your door type as illustrated.

SECTIONAL DOOR OR ONE-PIECE DOOR WITH TRACK

A 2x4 laid flat is convenient for setting an ideal door-to-rail distance.

- Remove foam packaging.
- Raise the opener onto a stepladder. You will need help at this point if the ladder is not tall enough.
- Open the door all the way and place a 2x4 laid flat on the top section beneath the rail.
- If the top section or panel hits the trolley when you raise the door, pull down on the trolley release arm to disconnect inner and outer sections. Slide the outer trolley toward the motor unit. The trolley can remain disconnected until Installation Step 12 is completed.



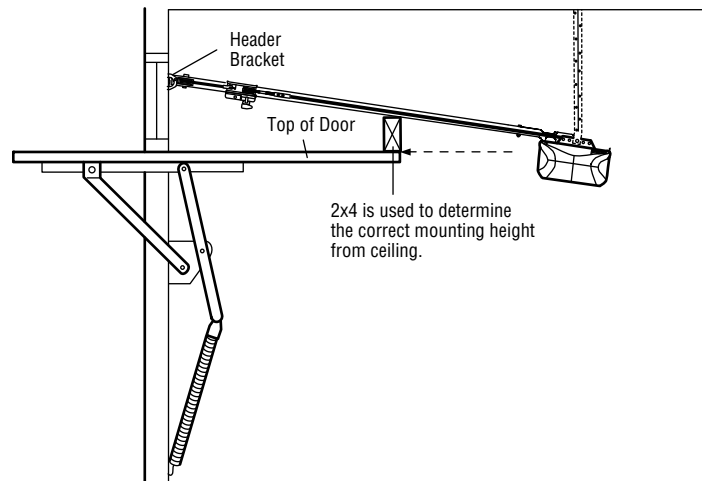
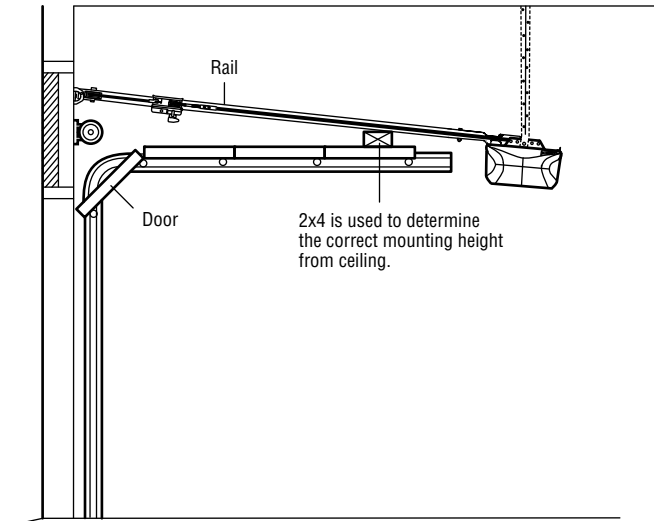
ONE-PIECE DOOR WITHOUT TRACK

A 2x4 on its side is convenient for setting an ideal door-to-rail distance.

- Remove foam packaging.
- Raise the opener onto a stepladder. You will need help at this point if the ladder is not tall enough.
- Open the door all the way and place a 2x4 on its side on the top section of the door beneath the rail.
- The top of the door should be level with the top of the motor unit. Do not position the opener more than 4" (10 cm) above this point.

CAUTION

To prevent damage to garage door, rest garage door opener rail on 2x4 placed on top section of door.



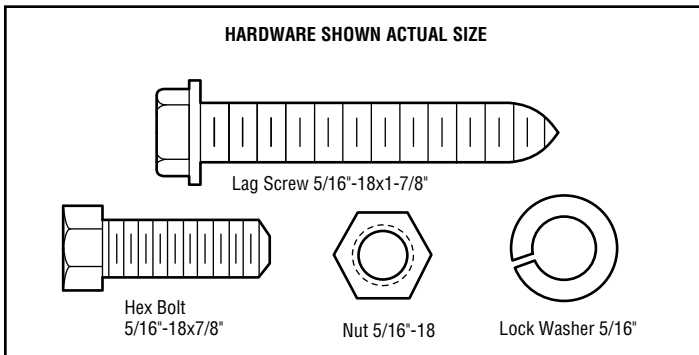
INSTALLATION STEP 5

Hang the Opener

Three representative installations are shown. Yours may be different. Hanging brackets should be angled (Figure 1) to provide rigid support. On finished ceilings (Figures 2 and Figure 3), attach a sturdy metal bracket to structural supports before installing the opener. This bracket and fastening hardware are not provided.

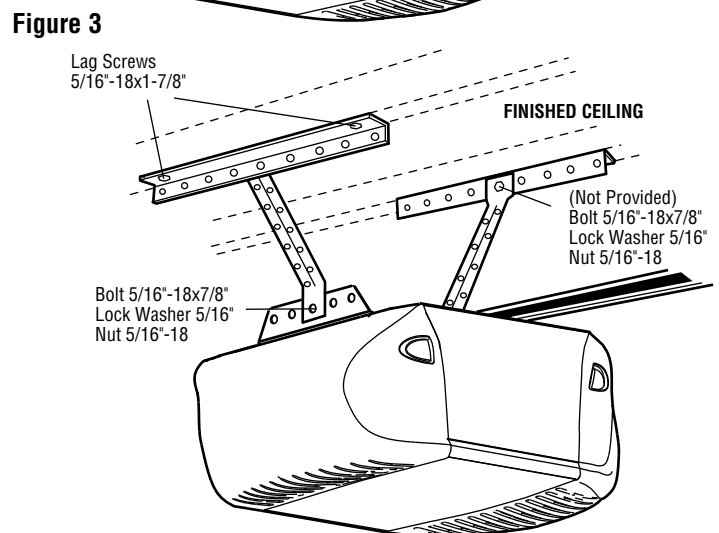
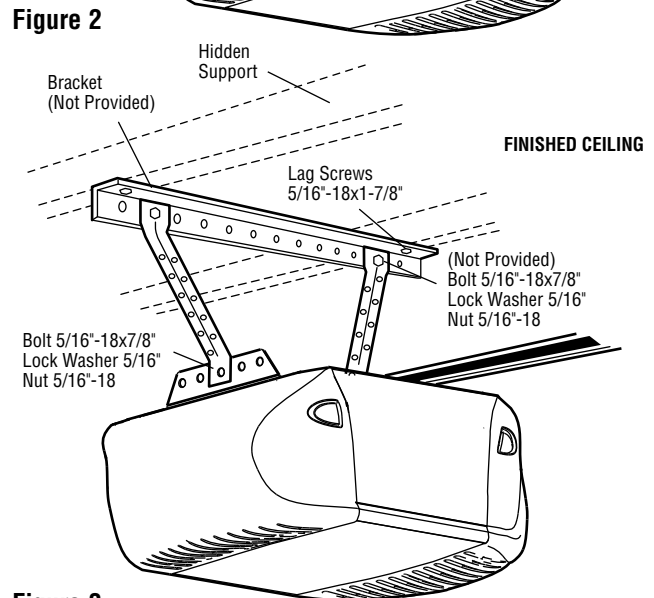
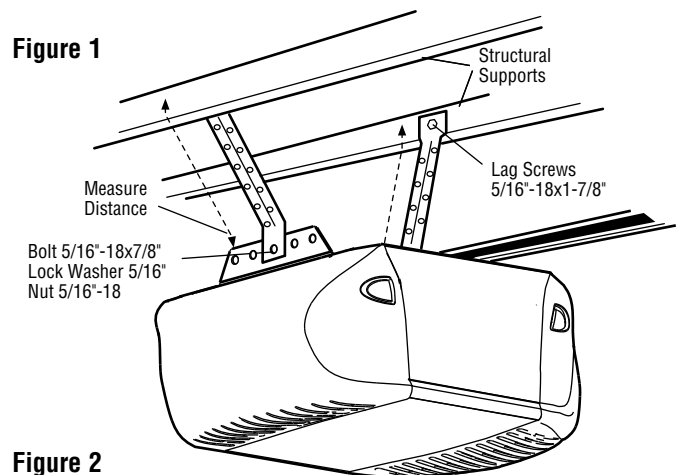
1. Measure the distance from each side of the motor unit to the structural support.
2. Cut both pieces of the hanging bracket to required lengths.
3. Drill 3/16" pilot holes in the structural supports.
4. Attach one end of each bracket to a support with 5/16"-18x1-7/8" lag screws.
5. Fasten the opener to the hanging brackets with 5/16"-18x7/8" hex bolts, lock washers and nuts.
6. Check to make sure the rail is centered over the door (or in line with the header bracket if the bracket is not centered above the door).
7. Remove the 2x4. Operate the door manually. If the door hits the rail, raise the header bracket.

NOTE: DO NOT connect power to opener at this time.



⚠ WARNING

To avoid possible **SERIOUS INJURY** from a falling garage door opener, fasten it **SECURELY** to structural supports of the garage. Concrete anchors **MUST** be used if installing **ANY** brackets into masonry.



INSTALLATION STEP 6

Install the Door Control

Locate door control within sight of door, at a minimum height of 5 feet (1.5 m) where small children cannot reach, away from moving parts of door and door hardware. If installing into drywall, drill 5/32" holes and use the anchors provided. For pre-wired installations (as in new home construction), it may be mounted to a single gang box (Figure 2).

NOTE: The functional temperature range of the door control is between -4°F (-20°C) and 122°F (50°C). Scroll speed of display is slower at lower temperatures although the door control remains fully functional.

CAUTION: Continuous exposure of the door control to temperatures below -22°F (-30°C) may damage the LCD screen.

SPECIAL NOTE: Only one Smart Control Panel® can be connected to each garage door opener. If additional wall controls are desired to operate the same garage door opener, it is recommended to use model 41A6345-1 wireless wall control as the secondary door control.

1. Strip 7/16" (11 mm) of insulation from one end of bell wire and connect to the two screw terminals on back of door control by color: white wire to W (2) and white/red wire to the R (1).
2. Remove cover by gently prying at slot in top of the cover with a small flat head screwdriver. Fasten with 6ABx1-1/4" self-tapping screws (drywall installation) or 6-32x1" machine screws (into gang box) as follows:
 - Install bottom screw, allowing 1/8" (3 mm) to protrude above wall surface.
 - Position bottom of door control on screw head and slide down to secure. Adjust screw for snug fit.
 - Drill and install top screw with care to avoid cracking plastic housing. **DO NOT overtighten.**
 - Insert top tabs and snap on cover.
3. **(For standard installation only)** Run bell wire up wall and across ceiling to motor unit. Use insulated staples to secure wire in several places. **DO NOT** pierce wire with a staple, creating a short or open circuit.
4. Strip 7/16" (11 mm) of insulation from end of bell wire. Connect bell wire to the quick-connect terminals as follows: white to white and white/red to red.
5. Position the antenna wire as shown.
6. Use tacks or staples to permanently attach entrapment warning label to wall near door control, and manual release/safety reverse test label in a prominent location on inside of garage door.

NOTE: **DO NOT** connect power and operate opener at this time. The trolley will travel to the full open position but will not return to the close position until the sensor beam is connected and properly aligned.

⚠️ WARNING

To prevent possible **SERIOUS INJURY** or **DEATH** from electrocution:

- Disconnect **ALL** electric and battery power **BEFORE** performing **ANY** service or maintenance.
- Connect **ONLY** to 24 VOLT low voltage wires.

To prevent possible **SERIOUS INJURY** or **DEATH** from a closing garage door:

- Install door control within sight of garage door, out of reach of children at a minimum height of 5 feet (1.5 m), and away from **ALL** moving parts of door.
- **NEVER** permit children to operate or play with door control push buttons or remote controls.
- Activate door **ONLY** when it can be seen clearly, is properly adjusted and there are no obstructions to door travel.
- **ALWAYS** keep garage door in sight until completely closed. **NEVER** permit anyone to cross path of closing garage door.

Outside Keylock Accessory Connections

To opener quick-connect terminals: white to white; white/red to red.

HARDWARE SHOWN ACTUAL SIZE

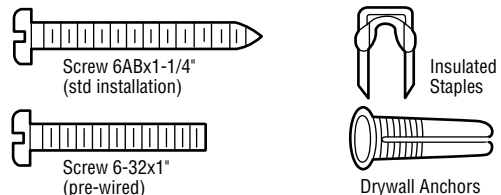


Figure 1

REMOVE & REPLACE COVER

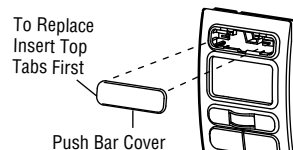
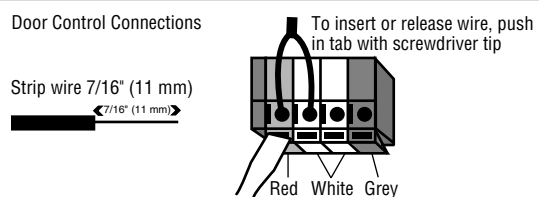
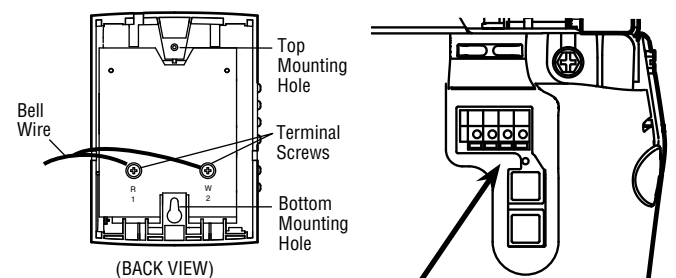
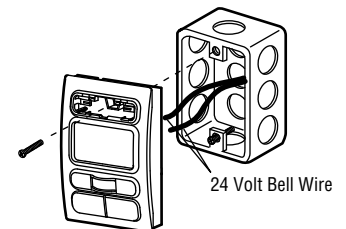


Figure 2

PRE-WIRED INSTALLATION

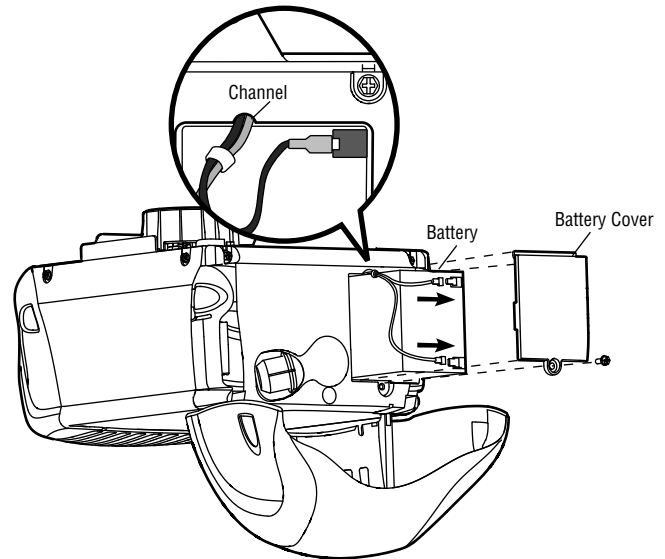


INSTALLATION STEP 7

Install the Battery

- Make sure motor unit is unplugged.
- Using a Phillips head screwdriver, remove the battery cover on the motor unit.
- Partially insert battery into motor unit with terminals facing out.
- Connect red (+) and black (-) wires from motor unit to corresponding terminals on battery.
- Verify the battery wires are seated in the channel.
- Replace battery cover.

CAUTION
ALWAYS wear protective gloves and eye protection when changing the battery or working around the battery compartment.



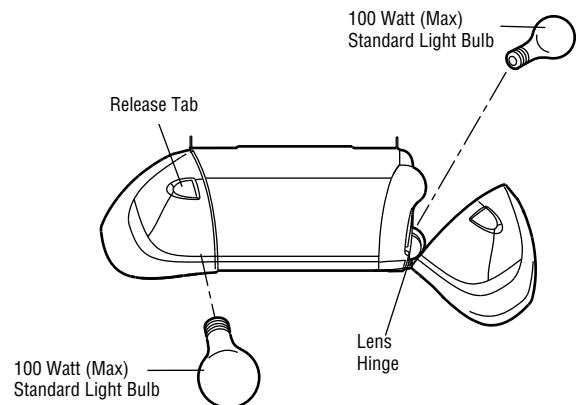
INSTALLATION STEP 8

Install the Lights

- Press the release tabs on both sides of lens. Gently rotate lens back and downward until the lens hinge is in the fully open position. Do not remove the lens.
- Install a 100 watt maximum light bulb in each socket. Light bulb size should be A19, standard neck only. The lights will turn ON and remain lit for approximately 4-1/2 minutes when power is connected. Then the lights will turn OFF.
- To remove, depress both top lens tabs. Tilt lens slightly outward and down, then pull out to clear bulbs. Use care to avoid snapping off bottom lens tabs.
- Use A19, standard neck garage door opener bulbs for replacement.

NOTE: Use only standard light bulbs. The use of short neck or speciality light bulbs may overheat the endpanel or light socket.

CAUTION
To prevent possible OVERHEATING of the endpanel or light socket:
<ul style="list-style-type: none">• DO NOT use short neck or specialty light bulbs.• DO NOT use halogen bulbs. Use ONLY incandescent.
To prevent damage to the opener:
<ul style="list-style-type: none">• DO NOT use bulbs larger than 100W.• ONLY use A19 size bulbs.



INSTALLATION STEP 9

Attach the Emergency Release Rope and Handle

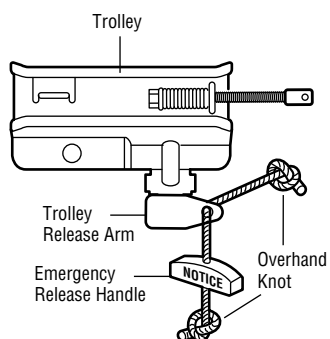
- Thread one end of the rope through the hole in the top of the red handle so “NOTICE” reads right side up as shown. Secure with an overhand knot at least 1" (2.5 cm) from the end of the rope to prevent slipping.
- Thread the other end of the rope through the hole in the release arm of the outer trolley.
- Adjust rope length so the handle is 6 feet (1.8 m) above the floor. Ensure that the rope and handle clear the tops of all vehicles to avoid entanglement. Secure with an overhand knot.

NOTE: *If it is necessary to cut the rope, heat seal the cut end with a match or lighter to prevent unraveling.*

WARNING

To prevent possible **SERIOUS INJURY** or **DEATH** from a falling garage door:

- If possible, use emergency release handle to disengage trolley **ONLY** when garage door is **CLOSED**. Weak or broken springs or unbalanced door could result in an open door falling rapidly and/or unexpectedly.
- **NEVER** use emergency release handle unless garage doorway is clear of persons and obstructions.
- **NEVER** use handle to pull door open or closed. If rope knot becomes untied, you could fall.

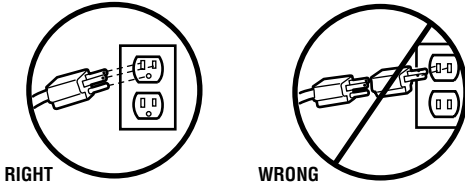


INSTALLATION STEP 10

Electrical Requirements

To avoid installation difficulties, do not run the opener at this time.

To reduce the risk of electric shock, your garage door opener has a grounding type plug with a third grounding pin. This plug will only fit into a grounding type outlet. If the plug doesn't fit into the outlet you have, contact a qualified electrician to install the proper outlet.



If permanent wiring is required by your local code, refer to the following procedure.

To make a permanent connection through the 7/8" hole in the top of the motor unit:

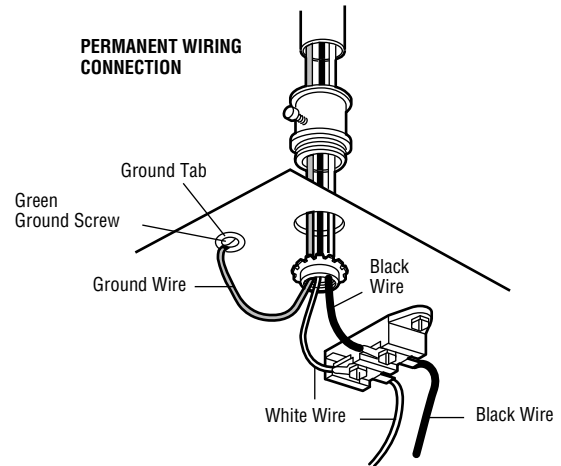
- Remove the motor unit cover screws and set the cover aside.
- Remove the attached 3-prong cord.
- Connect the black (line) wire to the screw on the brass terminal; the white (neutral) wire to the screw on the silver terminal; and the ground wire to the green ground screw. **The opener must be grounded.**
- Reinstall the cover.

To avoid installation difficulties, do not run the opener at this time.

WARNING

To prevent possible SERIOUS INJURY or DEATH from electrocution or fire:

- Disconnect ALL electric and battery power BEFORE performing ANY service or maintenance.
- Garage door installation and wiring MUST be in compliance with ALL local electrical and building codes.
- NEVER use an extension cord, 2-wire adapter, or change plug in ANY way to make it fit outlet. Be sure the opener is grounded.



INSTALLATION STEP 11

Install The Protector System®

The safety reversing sensor must be connected and aligned correctly before the garage door opener will move in the down direction.

IMPORTANT INFORMATION ABOUT THE SAFETY REVERSING SENSOR

When properly connected and aligned, the sensor will detect an obstacle in the path of its electronic beam. The sending eye (with an amber indicator light) transmits an invisible light beam to the receiving eye (with a green indicator light). If an obstruction breaks the light beam while the door is closing, the door will stop and reverse to full open position, and the opener lights will flash 10 times.

The units must be installed inside the garage so that the sending and receiving eyes face each other across the door, no more than 6" (15 cm) above the floor. Either can be installed on the left or right of the door as long as the sun never shines directly into the receiving eye lens.

The mounting brackets are designed to clip onto the track of sectional garage doors without additional hardware.

⚠ WARNING

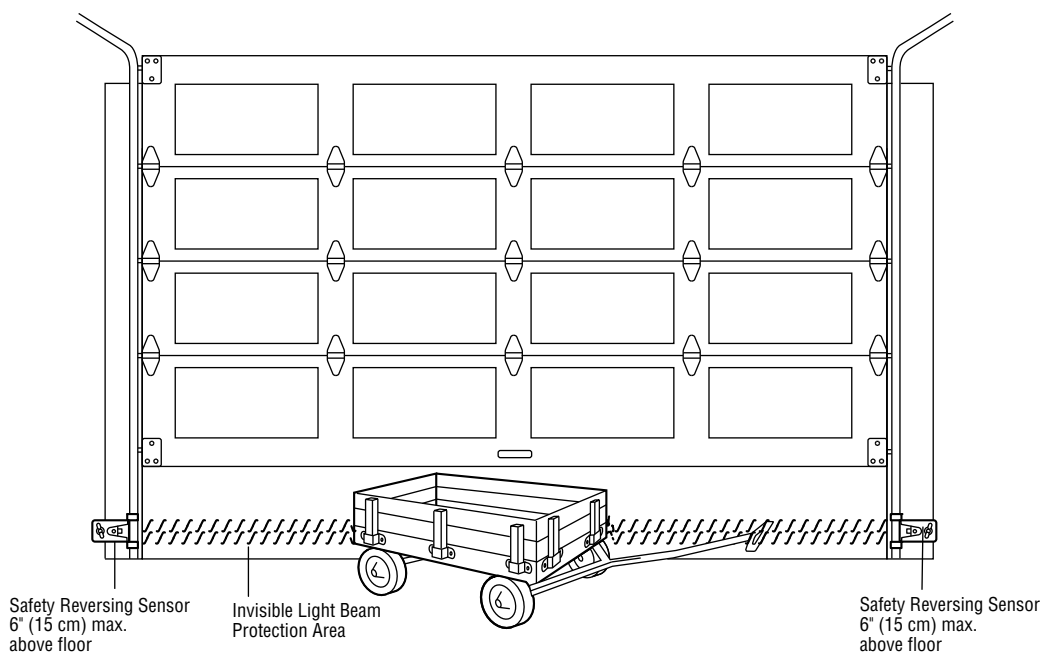
Be sure power is not connected to the garage door opener BEFORE installing the safety reversing sensor.

To prevent SERIOUS INJURY or DEATH from a closing garage door:

- Correctly connect and align the safety reversing sensor. This required safety device MUST NOT be disabled.
- Install the safety reversing sensor so beam is NO HIGHER than 6" (15 cm) above garage floor.

If it is necessary to mount the units on the wall, the brackets must be securely fastened to a solid surface such as the wall framing. Extension brackets (see Accessories) are available if needed. If installing in masonry construction, add a piece of wood at each location to avoid drilling extra holes in masonry if repositioning is necessary.

The invisible light beam path must be unobstructed. No part of the garage door (or door tracks, springs, hinges, rollers or other hardware) may interrupt the beam while the door is closing.



Facing the door from inside the garage.

INSTALLING THE BRACKETS

Be sure power to the opener is disconnected. Install and align the brackets so the sensors will face each other across the garage door, with the beam no higher than 6" (15 cm) above the floor. They may be installed in one of three ways, as follows.

Garage door track installation (preferred):

- Slip the curved arms over the rounded edge of each door track, with the curved arms facing the door. Snap into place against the side of the track. It should lie flush, with the lip hugging the back edge of the track, as shown in Figure 1.

If your door track will not support the bracket securely, wall installation is recommended.

Wall installation (Figures 2 & 3):

- Place the bracket against the wall with curved arms facing the door. Be sure there is enough clearance for the sensor beam to be unobstructed.
- If additional depth is needed, an extension bracket (see Accessories) or wood blocks can be used.
- Use bracket mounting holes as a template to locate and drill (2) 3/16" diameter pilot holes on the wall at each side of the door, no higher than 6" (15 cm) above the floor.
- Attach brackets to wall with lag screws (not provided).
- If using extension brackets or wood blocks, adjust right and left assemblies to the same distance out from the mounting surface. Make sure all door hardware obstructions are cleared.

Floor installation (Figure 4):

- Use wood blocks or extension brackets (see Accessories) to elevate sensor brackets so the lenses will be no higher than 6" (15 cm) above the floor.
- Carefully measure and place right and left assemblies at the same distance out from the wall. Be sure all door hardware obstructions are cleared.
- Fasten to the floor with concrete anchors as shown.

Figure 1 DOOR TRACK MOUNT (RIGHT SIDE)

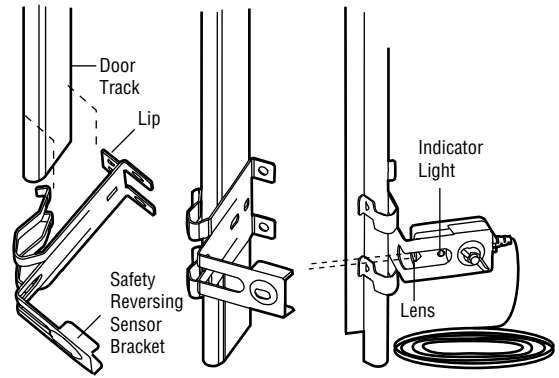


Figure 2 WALL MOUNT (RIGHT SIDE)

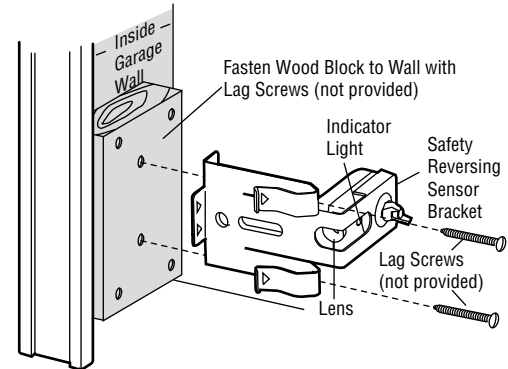


Figure 3 WALL MOUNT (RIGHT SIDE)

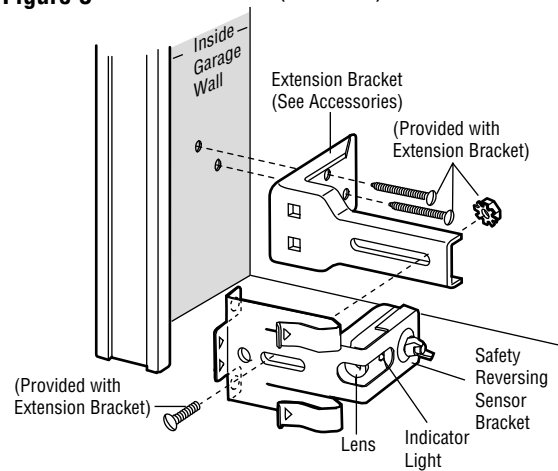
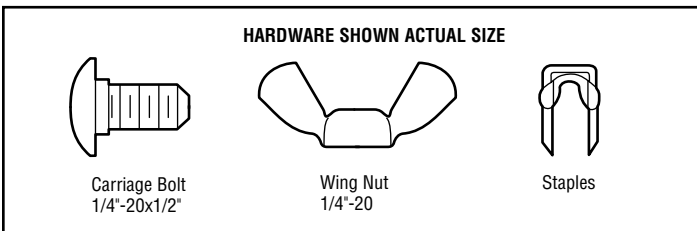
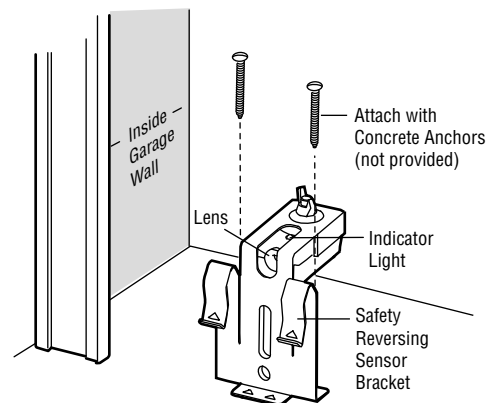


Figure 4 FLOOR MOUNT (RIGHT SIDE)



MOUNTING AND WIRING THE SAFETY REVERSING SENSORS

- Slide a 1/4"-20x1/2" carriage bolt head into the slot on each sensor. Use wing nuts to fasten sensors to brackets, with lenses pointing toward each other across the door. Be sure the lens is not obstructed by a bracket extension (Figure 5).
- Finger tighten the wing nuts.
- Run the wires from both sensors to the opener. Use insulated staples to secure wire to wall and ceiling.
- Strip 7/16" (11 mm) of insulation from each set of wires. Separate white and white/black wires sufficiently to connect to the opener quick-connect terminals. Twist like colored wires together. Insert wires into quick-connect holes: white to white and white/black to grey (Figure 6).

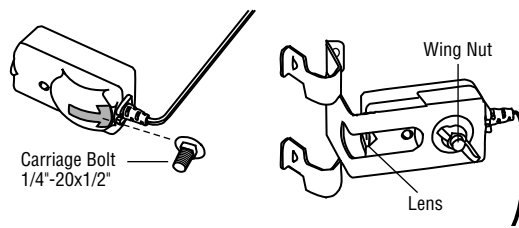
ALIGNING THE SAFETY REVERSING SENSORS

- Plug in the opener. The indicator lights in both the *sending* and *receiving eyes* will *glow steadily* if wiring connections and alignment are correct.

The *sending eye* amber indicator light will glow regardless of alignment or obstruction. If the green indicator light in the *receiving eye* is off, dim, or flickering (and the invisible light beam path is not obstructed), alignment is required.

- Loosen the *sending eye* wing nut and readjust, aiming directly at the *receiving eye*. Lock in place.
- Loosen the *receiving eye* wing nut and adjust sensor until it receives the sender's beam. When the green indicator light *glows steadily*, tighten the wing nut.

Figure 5

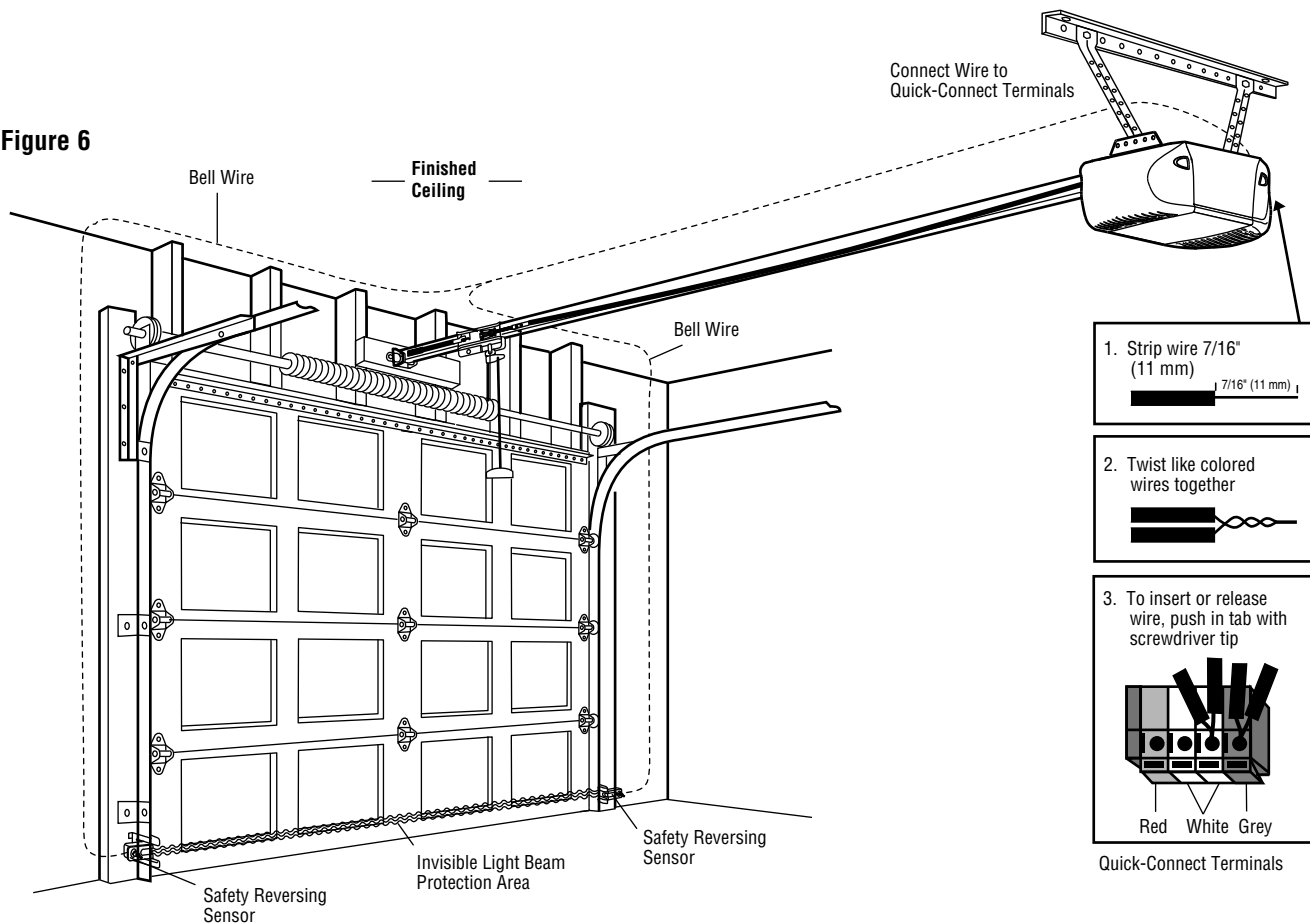


TROUBLESHOOTING THE SAFETY REVERSING SENSORS

1. If the *sending eye* indicator light does not *glow steadily* after installation, check for:
 - Electric power to the opener.
 - A short in the white or white/black wires. These can occur at staples, or at opener connections.
 - Incorrect wiring between sensors and opener.
 - A broken wire.
2. If the *sending eye* indicator light *glows steadily* but the *receiving eye* indicator light doesn't:
 - Check alignment.
 - Check for an open wire to the *receiving eye*.
3. If the *receiving eye* indicator light is dim, realign either sensor.

NOTE: When the invisible beam path is obstructed or misaligned while the door is closing, the door will reverse. If the door is already open, it will not close. The opener lights will blink 10 times. See page 21.

Figure 6



INSTALLATION STEP 12

Fasten the Door Bracket

Follow instructions which apply to your door type as illustrated below or on the following page.

A horizontal reinforcement brace should be long enough to be secured to two or three vertical supports. A vertical reinforcement brace should cover the height of the top panel.

Figure 1 shows one piece of angle iron as the horizontal brace. For the vertical brace, 2 pieces of angle iron are used to create a U-shaped support. The best solution is to check with your garage door manufacturer for an opener installation door reinforcement kit.

NOTE: Many door reinforcement kits provide for direct attachment of the clevis pin and door arm. In this case you will not need the door bracket; proceed to Step 13.

SECTIONAL DOORS

1. Center the door bracket on the previously marked vertical centerline used for the header bracket installation. Note correct UP placement, as stamped inside the bracket.
2. Position the top edge of the bracket 2"-4" (5-10 cm) below the top edge of the door, OR directly below any structural support across the top of the door.
3. Mark, drill holes and install as follows, depending on your door's construction:

Metal or light weight doors using a vertical angle iron brace between the door panel support and the door bracket:

- Drill 3/16" fastening holes. Secure the door bracket using the two 1/4"-14x5/8" self-threading screws (Figure 2A).
- Alternately, use two 5/16" bolts, lock washers and nuts (not provided) (Figure 2B).

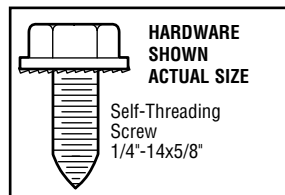
Metal, insulated or light weight factory reinforced doors:

- Drill 3/16" fastening holes. Secure the door bracket using the self-threading screws (Figure 3).

Wood Doors:

- Use top and bottom or side to side door bracket holes. Drill 5/16" holes through the door and secure bracket with 5/16"x2" carriage bolts, lock washers and nuts (not provided) (Figure 4).

NOTE: The 1/4"-14x5/8" self-threading screws are not intended for use on wood doors.



CAUTION

Fiberglass, aluminum or lightweight steel garage doors **WILL REQUIRE** reinforcement **BEFORE** installation of door bracket. Contact your door manufacturer for reinforcement kit.

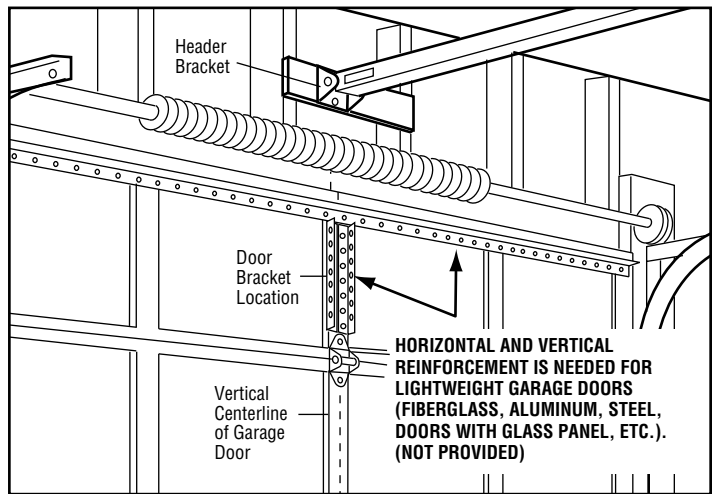


Figure 1

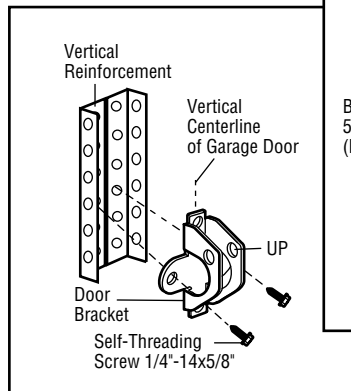


Figure 2A

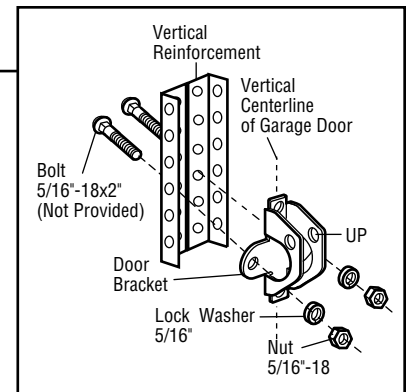


Figure 2B

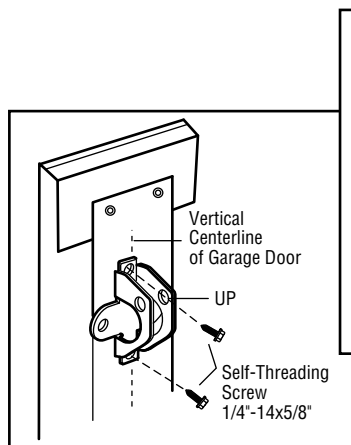


Figure 3

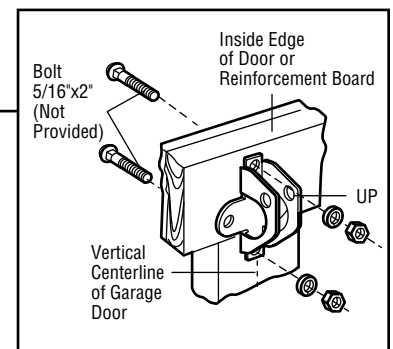


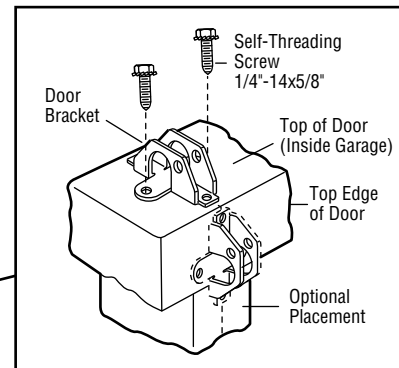
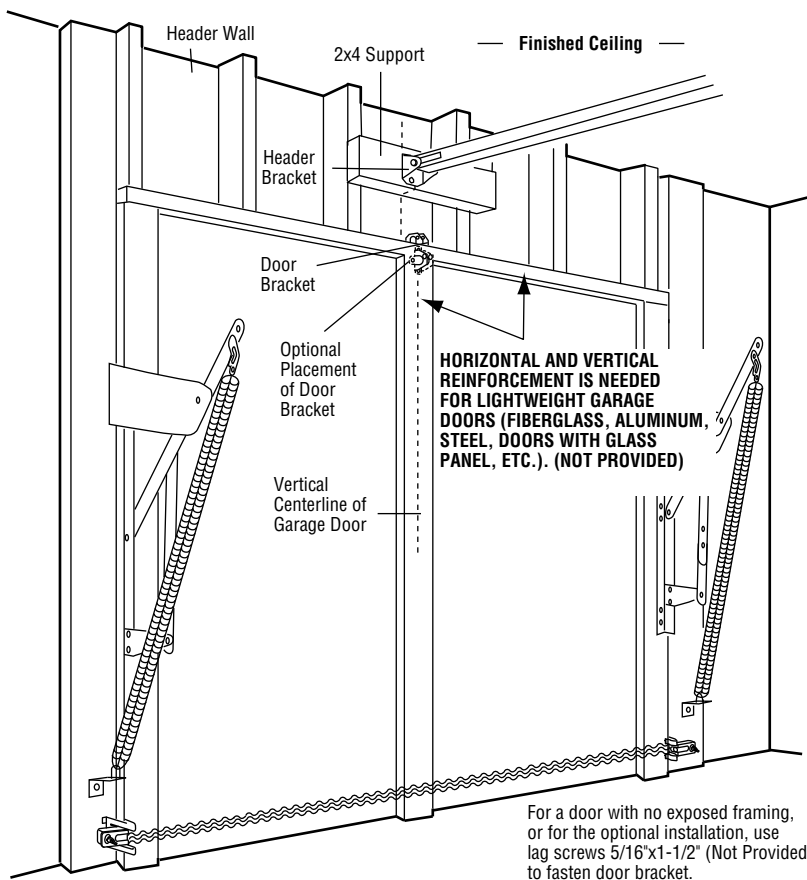
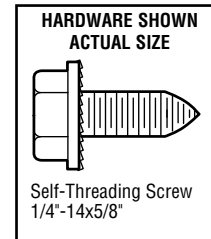
Figure 4

ONE-PIECE DOORS

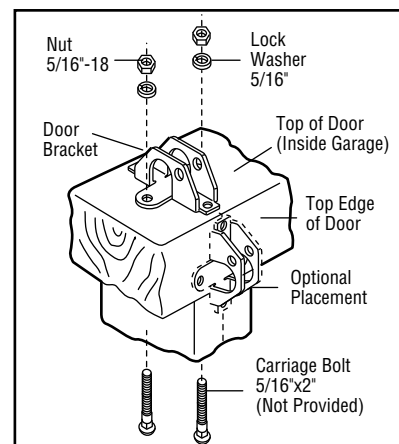
Please read and comply with the warnings and reinforcement instructions on the previous page. They apply to one-piece doors also.

- Center the door bracket on the top of the door, in line with the header bracket as shown. Mark either the left and right, or the top and bottom holes.
- **Metal Doors:** Drill 3/16" pilot holes and fasten the bracket with the 1/4"-14x5/8" self-threading screws provided.
- **Wood Doors:** Drill 5/16" holes and use 5/16"x2" carriage bolts, lock washers and nuts (not provided) or 5/16"x1-1/2" lag screws (not provided) depending on your installation needs.

NOTE: The door bracket may be installed on the top edge of the door if required for your installation. Refer to the dotted line optional placement drawing.



METAL DOOR



WOOD DOOR

INSTALLATION STEP 13

Connect Door Arm to Trolley

Follow instructions which apply to your door type as illustrated below and on the following page.

SECTIONAL DOORS ONLY

- Make sure garage door is fully closed. Pull the emergency release handle to disconnect the outer trolley from the inner trolley. Slide the outer trolley back (away from the pulley) about 8" (20 cm) as shown in Figures 1, 2 and 3.

Figure 1:

- Fasten straight door arm section to outer trolley with the 5/16"x1" clevis pin. Secure the connection with a ring fastener.
- Fasten curved section to the door bracket in the same way, using the 5/16"x1-1/4" clevis pin.

IMPORTANT: The groove on the straight door arm **MUST** face away from the curved door arm (Figure 4).

Figure 2:

- Bring arm sections together. Find two pairs of holes that line up and join sections. Select holes as far apart as possible to increase door arm rigidity.

Figure 3, Hole alignment alternative:

- If holes in curved arm are above holes in straight arm, disconnect straight arm. Cut about 6" (15 cm) from the solid end. Reconnect to trolley with cut end down as shown.
- Bring arm sections together.
- Find two pairs of holes that line up and join with bolts, lock washers and nuts.

Pull the emergency release handle toward the opener at a 45° angle so that the trolley release arm is horizontal. Proceed to Adjustment Step 1, page 28. Trolley will re-engage automatically when opener is operated.

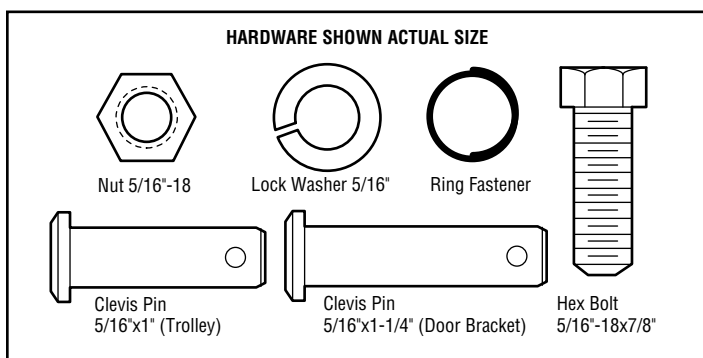


Figure 1

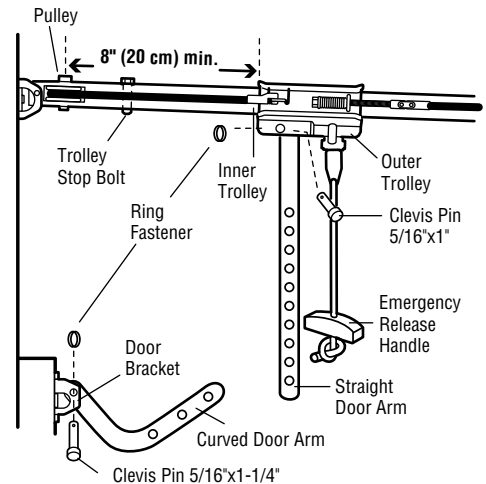


Figure 2

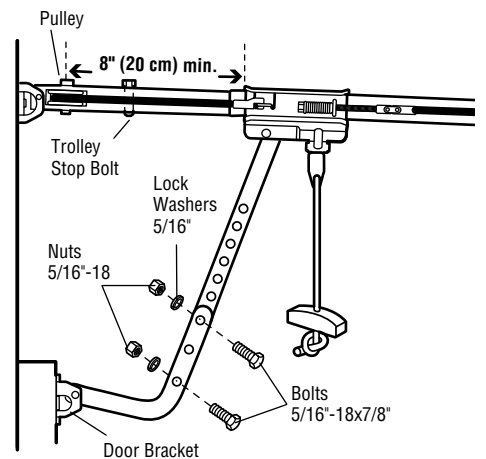


Figure 3

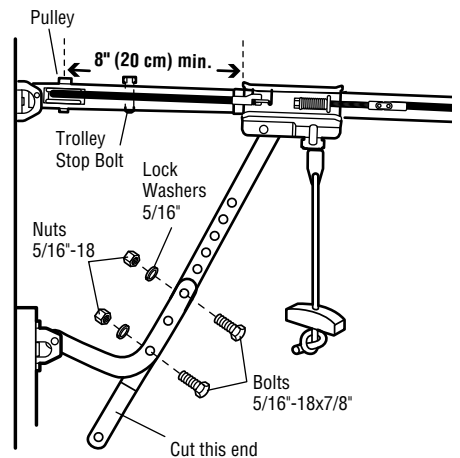
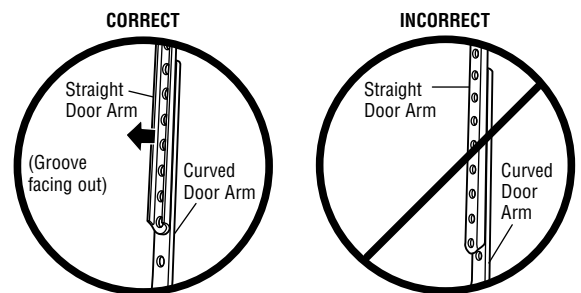


Figure 4



ALL ONE-PIECE DOORS

1. Assemble the door arm, Figure 5:

IMPORTANT: The groove on the straight door arm **MUST** face away from the curved door arm.

- Fasten the straight and curved door arm sections together to the longest possible length (with a 2 or 3 hole overlap).
- With the door closed, connect the straight door arm section to the door bracket with the 5/16"x1-1/4" clevis pin.
- Secure with a ring fastener.
- Pull the emergency release handle, disconnecting the outer trolley from the inner trolley by pulling straight down on the emergency release handle and sliding the outer trolley back toward the motor unit.
- Connect the curved door arm section to the trolley using the 5/16"x1-1/4" clevis pin and ring fastener.

NOTE: Adjusting the limits on the following page:

- The trolley will automatically connect. If not, review the trolley lockout feature on page 34.
- When setting the up limits on the following page, the door should not have a "backward" slant when fully open as illustrated below. A slight backward slant will cause unnecessary bucking and/or jerking operation as the door is being opened or closed from the fully open position.

Figure 5

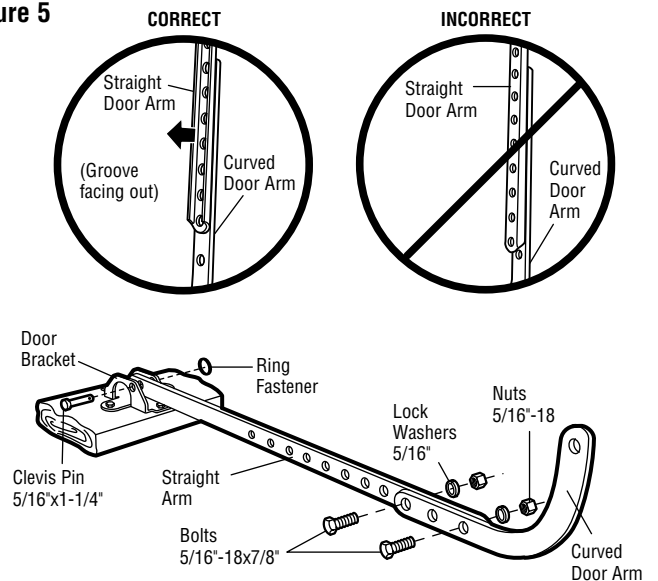
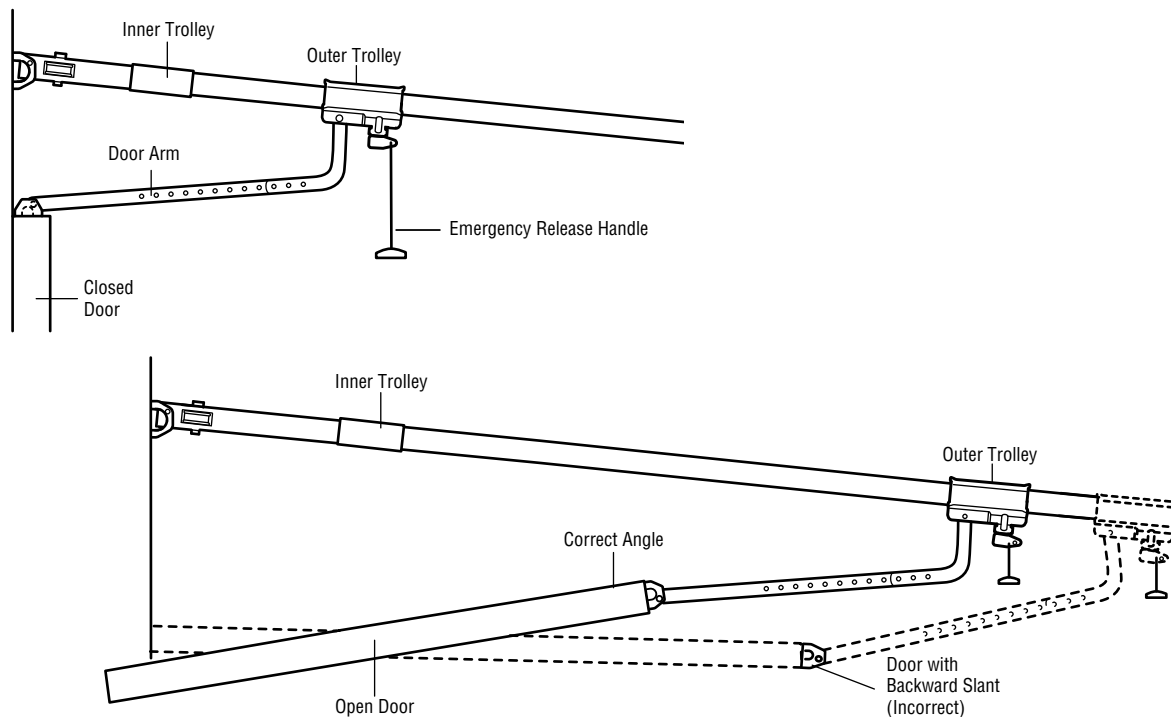


Figure 6



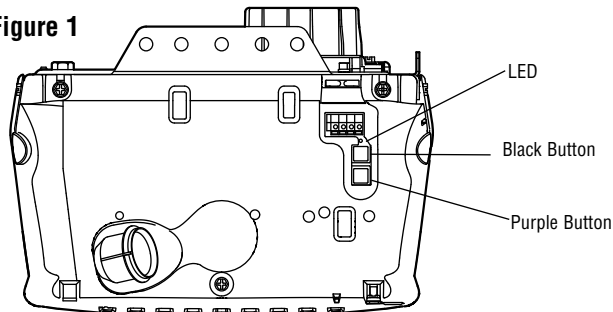
ADJUSTMENT STEP 1

Program the Travel Limits

Travel limits regulate the points at which the door will stop when moving up or down.

Adjust the position of the door by using the black and purple buttons. Black moves the door UP (open) and purple moves the door DOWN (close).

Figure 1



Setting the UP position:

1. Press and hold the black button until the LED starts flashing slowly, then release.
2. Push and hold the black button until the door reaches the desired UP (open) position.

NOTE: Make sure the door opens high enough for your vehicle.

3. Push the door control or programmed remote control. This sets the UP (open) limit and begins closing the door.
4. Immediately when the door begins to close, press and release either the black or purple button. This will stop the door.

Setting the DOWN position:

5. Push and hold the purple button until the door reaches the desired DOWN (closed) position.
6. Once the door is closed, if there appears to be too much pressure on the door, you may toggle the door back and forth using the black and purple buttons to reach the desired closed position.
7. Push the door control or programmed remote control. This sets the DOWN (close) limit and the door should open.

Proceed to *Set the Force*.

WARNING

Without a properly installed safety reversal system, persons (particularly small children) could be SERIOUSLY INJURED or KILLED by a closing garage door.

- Incorrect adjustment of garage door travel limits will interfere with proper operation of safety reversal system.
- NEVER use force adjustments to compensate for a binding or sticking garage door.
- After ANY adjustments are made, the safety reversal system MUST be tested. Door MUST reverse on contact with 1-1/2" (3.8 cm) high object (or 2x4 laid flat) on floor.

CAUTION

To prevent damage to vehicles, be sure fully open door provides adequate clearance.

Figure 2

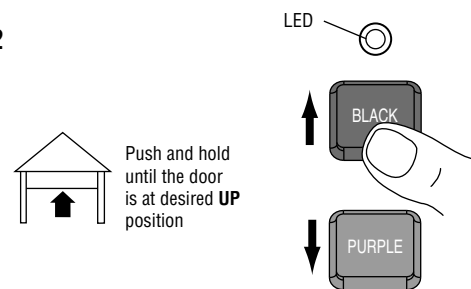


Figure 3

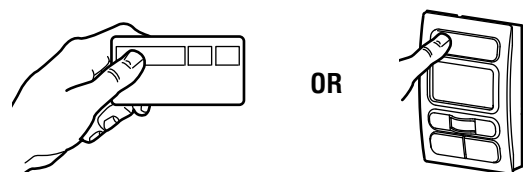
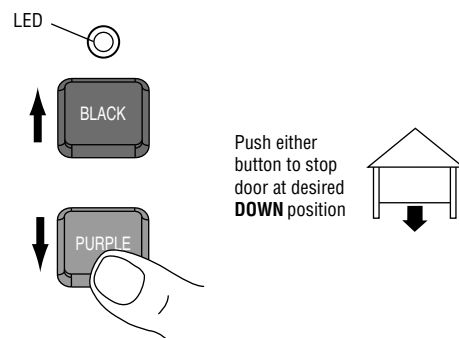


Figure 4



ADJUSTMENT STEP 2

Set the Force

The force setting measures the amount of force required to open and close the door.

1. Push the purple button twice to enter into the Force Adjustment Mode. The LED will flash quickly.
2. Push the door control or programmed remote control. The door will close (DOWN).
3. Push the door control or programmed remote control again. The door will open (UP).
4. Push the door control or programmed remote control a third time to close the door (DOWN).

The LED will stop flashing when the force has been programmed.

The door must travel through a complete cycle, up and down, in order for the force to be set properly. If the garage door opener cannot open and close the door fully, inspect the door to ensure that it is balanced properly and is not sticking or binding.

If the door is not stopping exactly where you would like it, repeat *Program the Travel Limits*.

⚠ WARNING

Without a properly installed safety reversal system, persons (particularly small children) could be SERIOUSLY INJURED or KILLED by a closing garage door.

- Too much force on garage door will interfere with proper operation of safety reversal system.
- NEVER use adjustments to compensate for a binding or sticking garage door.
- After ANY adjustments are made, the safety reversal system MUST be tested. Door MUST reverse on contact with 1-1/2" (3.8 cm) high object (or 2x4 laid flat) on floor.

Figure 1

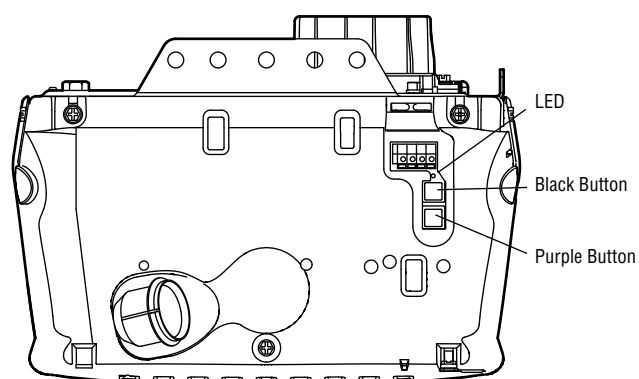


Figure 2

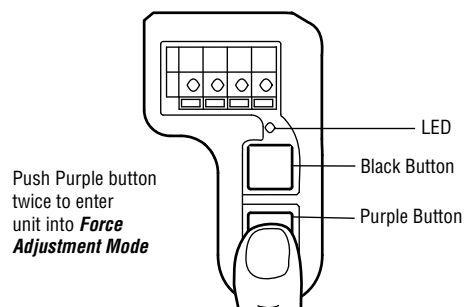
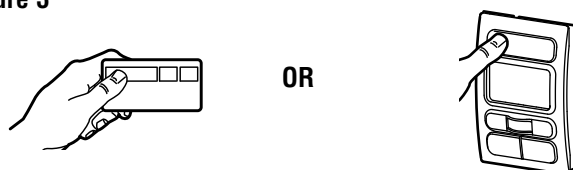


Figure 3



ADJUSTMENT STEP 3

Test the Safety Reversal System

TEST

- With the door fully open, place a 1-1/2" (3.8 cm) board (or a 2x4 laid flat) on the floor, centered under the garage door.
- Operate the door in the down direction. The door **must** reverse on striking the obstruction.

ADJUST

- If the door stops on the obstruction, it is not traveling far enough in the down direction. Complete Adjustment Steps 1 and 2 Program the Trsvel Limits and Set the Force.

NOTE: On a sectional door, make sure limit adjustments do not force the door arm beyond a straight up and down position. See Figure 3, page 26.

- Repeat the test.
- When the door reverses on the 1-1/2" (3.8 cm) board (or 2x4 laid flat), remove the obstruction and run the opener through 3 or 4 complete travel cycles to test adjustment.
- If the unit continues to fail the Safety Reverse Test, call for a trained door systems technician.

IMPORTANT SAFETY CHECK:

Test the Safety Reverse System after:

- Each adjustment of door arm length, limits, or force controls.
- Any repair to or adjustment of the garage door (including springs and hardware).
- Any repair to or buckling of the garage floor.
- Any repair to or adjustment of the opener.

ADJUSTMENT STEP 4

Test The Protector System®

- Press the remote control push button to open the door.
- Place the opener carton in the path of the door.
- Press the remote control push button to close the door. The door will not move more than an inch (2.5 cm), and the opener lights will flash.

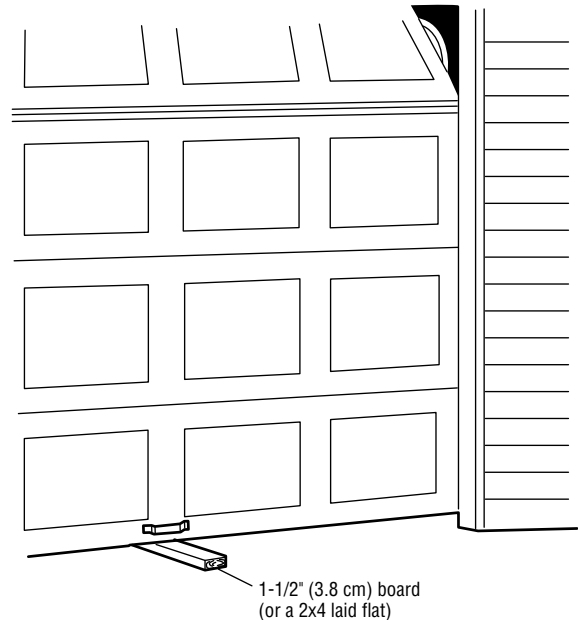
The garage door opener will not close from a remote if the indicator light in either sensor is off (alerting you to the fact that the sensor is misaligned or obstructed).

If the opener closes the door when the safety reversing sensor is obstructed (and the sensors are no more than 6" (15 cm) above the floor), call for a trained door systems technician.

⚠ WARNING

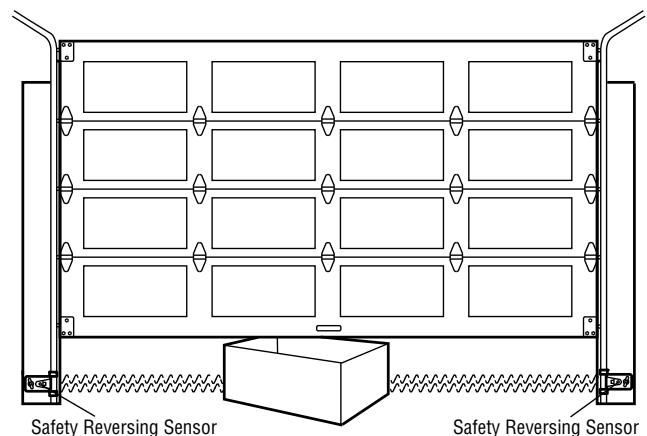
Without a properly installed safety reversal system, persons (particularly small children) could be **SERIOUSLY INJURED** or **KILLED** by a closing garage door.

- Safety reversal system **MUST** be tested every month.
- After **ANY** adjustments are made, the safety reversal system **MUST** be tested. Door **MUST** reverse on contact with 1-1/2" (3.8 cm) high object (or 2x4 laid flat) on the floor.



⚠ WARNING

Without a properly installed safety reversing sensor, persons (particularly small children) could be **SERIOUSLY INJURED** or **KILLED** by a closing garage door.



OPERATION

IMPORTANT SAFETY INSTRUCTIONS

WARNING

To reduce the risk of SEVERE INJURY or DEATH:

1. READ AND FOLLOW ALL WARNINGS AND INSTRUCTIONS.
2. ALWAYS keep remote controls out of reach of children. NEVER permit children to operate or play with garage door control push buttons or remote controls.
3. ONLY activate garage door when it can be seen clearly, it is properly adjusted, and there are no obstructions to door travel.
4. ALWAYS keep garage door in sight until completely closed. NO ONE SHOULD CROSS THE PATH OF THE MOVING DOOR.
5. NO ONE SHOULD GO UNDER A STOPPED, PARTIALLY OPEN DOOR.
6. If possible, use emergency release handle to disengage trolley ONLY when garage door is CLOSED. Weak or broken springs or unbalanced door could result in an open door falling rapidly and/or unexpectedly, causing SEVERE INJURY or DEATH.
7. NEVER use emergency release handle unless garage doorway is clear of persons and obstructions.
8. NEVER use handle to pull garage door open or closed. If rope knot becomes untied, you could fall.
9. If one control (force or travel limits) is adjusted, the other control may also need adjustment.
10. After ANY adjustments are made, the safety reversal system MUST be tested.
11. Safety reversal system MUST be tested every month. Garage door MUST reverse on contact with 1-1/2" (3.8 cm) high object (or a 2x4 laid flat) on the floor. Failure to adjust the garage door opener properly may cause SEVERE INJURY or DEATH.
12. ALWAYS KEEP GARAGE DOOR PROPERLY BALANCED (see page 3). An improperly balanced door may NOT reverse when required and could result in SEVERE INJURY or DEATH.
13. ALL repairs to cables, spring assemblies and other hardware, ALL of which are under EXTREME tension, MUST be made by a trained door systems technician.
14. To avoid SERIOUS PERSONAL INJURY or DEATH from electrocution, disconnect ALL electric and battery power BEFORE performing ANY service or maintenance.
15. **SAVE THESE INSTRUCTIONS.**

Using Your Garage Door Opener

Your Security+® opener and hand-held remote control have been factory-set to a matching code which changes with each use, randomly accessing over 100 billion new codes. Your opener will operate with up to eight Security+® remote controls and one Security+® Keyless Entry System. If you purchase a new remote, or if you wish to deactivate any remote, follow the instructions in the *Programming* section.

Activate your opener with any of the following:

- *The Hand-Held Remote Control:* Hold the large push button down until the door starts to move.
- *The Wall-Mounted Door Control:* Hold the push button or bar down until the door starts to move.
- *The Keyless Entry (See Accessories):* If provided with your garage door opener, it must be programmed before use. See *Programming*.

When the opener is activated (with the safety reversing sensor correctly installed and aligned)

1. If open, the door will close. If closed, it will open.
2. If closing, the door will reverse.
3. If opening, the door will stop.
4. If the door has been stopped in a partially open position, it will close.
5. If obstructed while closing, the door will reverse. If the obstruction interrupts the sensor beam, the opener lights will blink for five seconds.

6. If obstructed while opening, the door will stop.
7. If fully open, the door will not close when the beam is broken. The sensor has no effect in the opening cycle.

If the sensor is not installed, or is misaligned, the door won't close from a hand-held remote. However, you can close the door with the Door Control, the Outside Keylock, or Keyless Entry, *if you activate them until down travel is complete*. If you release them too soon, the door will reverse.

The opener lights will turn on under the following conditions: when the opener is initially plugged in; when power is restored after interruption; when the opener is activated.

They will turn off automatically after 4-1/2 minutes or provide constant light when the Light feature on the Smart Control Panel® is activated. Bulb size is A19. Bulb power is 100 watts maximum.

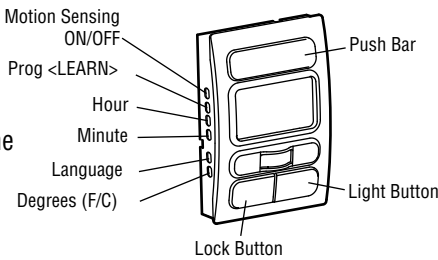
Security+® light feature: Lights will also turn on when someone walks through the open garage door. With a Smart Control Panel®, this feature may be turned off as follows: With the opener lights off, press and hold the light button for 10 seconds, until the light goes on, then off again. To restore this feature, start with the opener lights on, then press and hold the light button for 10 seconds until the light goes off, then on again.

Using the Wall-Mounted Door Control

THE SMART CONTROL PANEL®

Press the push button to open or close the door. Press again to reverse the door during the closing cycle or to stop the door while it's opening.

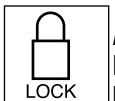
This door control contains a motion detector that will automatically turn on the light when it detects a person entering the garage. This feature can be easily turned off for extended work light use.



Light Feature

Press the Light button to turn the opener light on or off. It will not control the opener lights when the door is in motion. If you turn it on and then activate the opener, the light will remain on for 4-1/2 minutes. Press again to turn it off sooner. The 4-1/2 minute interval can be changed to 1-1/2, 2-1/2 or 3-1/2 minutes as follows: Press and hold the Lock button until the light blinks (about 10 seconds). A single blink indicates that the timer is reset to 1-1/2 minutes. Repeat the procedure and the light will blink twice, resetting the timer to 2-1/2 minutes. Repeat again for a 3-1/2 minute interval, etc., up to a maximum of four blinks and 4-1/2 minutes.

When using the opener lights as working lights, we recommend that you first disable the motion sensor.



Lock Feature

Designed to prevent operation of the door from hand-held remote controls. However, the door will open and close from the Door Control, the Outside Keylock and the Keyless Entry Accessories.

To activate, press and hold the Lock button for 2 seconds. The Smart Control Panel® will display the following message: "LOCK MODE REMOTE CONTROL LOCKED OUT PRESS LOCK BUTTON TO ENABLE REMOTE."

To turn off, press and hold the Lock button again for 2 seconds. The Lock feature will also turn off whenever the "learn" button is activated.

Motion Detecting Light Feature

The opener light will turn on automatically when a person walks in front of the wall-mounted door control. This feature works by detecting motion and body heat and may not work in temperatures around 100° F (37.7° C). The opener light will come on for 5 minutes, then shut off automatically if no additional motion or heat differential is calculated.

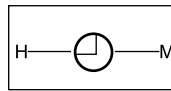
To disable this feature, press the Motion Detecting Light On/Off button on the left side of the door control.



We recommend that you disable the motion sensor when using the opener lights as working lights. Otherwise, they will turn off automatically if you are working beyond the sensor's range.

(Prog) Learn Feature

The door control is equipped with a Prog <LEARN> button to assist in learning remote controls to the unit. Press the Prog <LEARN> button once to initiate LEARN mode and the display will show 'Learn Remote Control - Press Learn Button Again to Confirm'. Press the Prog <LEARN> button a second time and the display will show 'Learn Mode - Press Remote Control Button to Learn Remote.' Press the button of the remote control to be learned and the work light will blink to confirm the remote control has been learned.

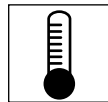


Hour & Minute Feature

Press or hold either of these side buttons to increment the hour or minute displayed on the LCD display.

(Lang) Language Feature

Press this side button to toggle between the three languages - English, Spanish, and French.



Degrees F/C Feature

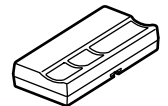
Press this side button to toggle the temperature units between Fahrenheit and Celsius.

Additional feature when used with the 3-Button hand-held remote

To control the opener lights:

In addition to operating the door, you may program the remote to operate the lights.

1. With the door closed, press and hold a small remote button that you want to control the light.
2. Press and hold the Light button on the door control.
3. While holding the Light button, press and hold the Lock button on the door control.
4. After the opener lights flash, release all buttons.



Battery Backup (Optional)

OPERATING INSTRUCTIONS

1. Test the installed battery with the motor unit.

To test the battery, disconnect the motor unit power cord from the electrical outlet.

- A solid orange LED indicates the battery is operating on battery power.
- A flashing orange LED with beep indicates the unit is operating on battery power and that the battery charge is low.
- To test the battery is functioning properly, open and close the garage door.
- Re-connect the motor unit power cord back into the electrical outlet.
- Verify that the green LED is flashing on the BBU (indicates that the battery is now charging).
- Test completed.

2. Charge the battery.

- Battery will take 24 to 48 hours to fully charge.

A fully charged battery supplies 12 Vdc to the motor unit for one to two days of normal operation during an electrical power outage. If the battery voltage drops too low, the batteries will disconnect and the motor unit will no longer operate under battery power.

After the electrical power has been restored, the battery will recharge within 48 hours. Under normal usage batteries will last 3 to 5 years.

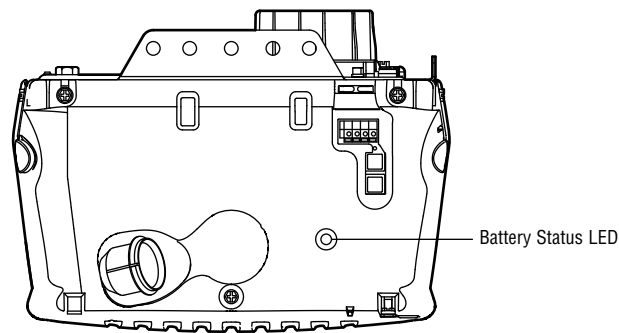
To obtain maximum battery life and prevent damage, disconnect the battery when motor unit is unplugged for an extended period of time.

NOTE: Door operation may be limited until battery is fully charged. The motor unit's lights will not turn on during battery mode.

WARNING

To reduce the risk of FIRE or INJURY to persons:

- Disconnect ALL electric and battery power BEFORE performing ANY service or maintenance.
- Use ONLY Chamberlain part # 41A6357-1 for replacement battery.
- DO NOT dispose of battery in fire. Battery may explode. Check with local codes for disposal instructions.



NOTE: LED is most visible with work light off.

GREEN LED:

All systems are normal.

- A solid LED light indicates the battery is fully charged.
- A flashing LED indicates the battery is being charged.

NOTE: Battery do not have to be fully charged to operate the motor unit.

ORANGE LED:

The motor unit has lost power and is operating off of the battery.

- A solid LED with beep, sounding approximately every 2 seconds, indicates the motor unit is activating the door and is operating off of the battery.
- A flashing LED with beep, sounding every 30 seconds, indicates battery is low.
- Once the power is restored the battery will recharge. This is indicated by a flashing green LED.

RED LED:

- If a red LED remains on when the power is restored, and is accompanied by a beep sounding every 30 seconds, replace the battery.
- To obtain maximum battery life and prevent damage, also disconnect the battery if you unplug the motor unit while on vacation or any other extended period of time.

To Open the Door Manually

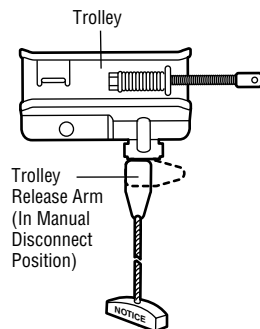
⚠ WARNING

To prevent possible **SERIOUS INJURY** or **DEATH** from a falling garage door:

- If possible, use emergency release handle to disengage trolley **ONLY** when garage door is **CLOSED**. Weak or broken springs or unbalanced door could result in an open door falling rapidly and/or unexpectedly.
- **NEVER** use emergency release handle unless garage doorway is clear of persons and obstructions.
- **NEVER** use handle to pull door open or closed. If rope knot becomes untied, you could fall.

DISCONNECT THE TROLLEY:

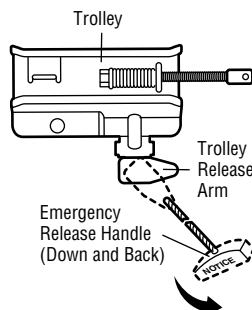
The door should be fully closed if possible. Pull down on the emergency release handle (so that the trolley release arm snaps into a vertical position) and lift the door manually. The *lockout feature* prevents the trolley from reconnecting automatically, and the door can be raised and lowered manually as often as necessary.



**Lockout position
(Manual disconnect)**

TO RE-CONNECT THE TROLLEY:

Pull the emergency release handle toward the opener at an angle so that the trolley release arm is horizontal. The trolley will reconnect on the next UP or DOWN operation, either manually or by using the door control or remote.



To reconnect

Care of Your Opener

MAINTENANCE SCHEDULE

Once a Month

- Manually operate door. If it is unbalanced or binding, call a trained door systems technician.
- Check to be sure door opens & closes fully. Adjust limits and/or force if necessary (See pages 28 and 29).
- Repeat the safety reverse test. Make any necessary adjustments (See Adjustment Step 3).

Once a Year

- Oil door rollers, bearings and hinges. The opener does not require additional lubrication. Do not grease the door tracks.

THE REMOTE CONTROL BATTERY

⚠ WARNING

To prevent possible **SERIOUS INJURY** or **DEATH**:

- **NEVER** allow small children near batteries.
- If battery is swallowed, immediately notify doctor.

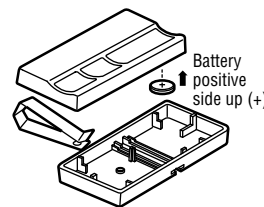
To reduce risk of fire, explosion or chemical burn:

- Replace **ONLY** with 3V2032 coin batteries.
- **DO NOT** recharge, disassemble, heat above 100° C (212° F) or incinerate.

The lithium battery should produce power for up to 5 years. To replace battery, use the visor clip or screwdriver blade to pry open the case as shown. Insert battery positive side up (+).

Dispose of old battery properly.

Replace the battery with only 3V2032 coin cell batteries.



NOTICE: To comply with FCC and or Industry Canada rules (IC), adjustment or modifications of this receiver and/or transmitter are prohibited, except for changing the code setting or replacing the battery. **THERE ARE NO OTHER USER SERVICEABLE PARTS.**

Tested to Comply with FCC Standards FOR HOME OR OFFICE USE. Operation is subject to the following two conditions: (1) this device may not cause harmful interference, and (2) this device must accept any interference received, including interference that may cause undesired operation.

Having a Problem? (Troubleshooting)

1. My door will not close and the light bulbs blink on my motor unit: The safety reversing sensor must be connected and aligned correctly before the garage door opener will move in the down direction.

- Verify the safety reversing sensors are properly installed, aligned and free of any obstructions. Refer to *Installation Step 11: Install The Protector System®*.
- Check diagnostic LED for flashes on the motor unit then refer to the *Diagnostic Chart* on the following page.

2. My remotes will not activate the door:

- Verify your Smart Control Panel® is not blinking. If it is blinking, deactivate the Lock Mode following the instructions for *Using the Wall-Mounted Door Control*.
- Reprogram remotes following the programming instructions. Refer to *Programming*.
- If remote will still not activate your door, check diagnostic LED for flashes on motor unit then refer to *Diagnostic Chart* on the following page.

3. My door reverses for no apparent reason: Repeat safety reverse test after adjustments to force or travel limits. The need for occasional adjustment for the force and limit settings is normal. Weather conditions in particular can affect door travel.

- Manually check door for balance or any binding problems.
- Refer to *Adjustment Step 2, Set the Force*.

4. My door reverses for no apparent reason after fully closing and touching the floor: Repeat safety reverse test after adjustments to force or travel limits. The need for occasional adjustment for the force and limit settings is normal. Weather conditions in particular can affect door travel.

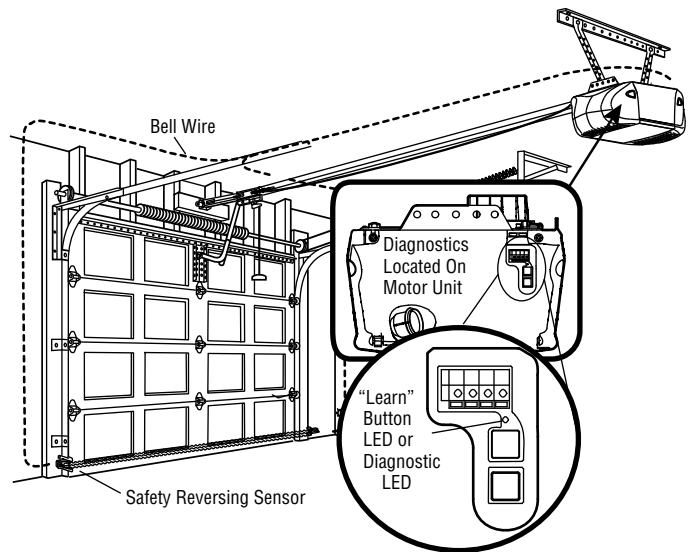
- Refer to *Adjustment Step 1, Program the Travel Limits*.

5. My lights will not turn off when door is open:

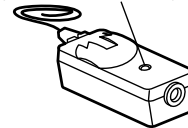
- The garage door opener is equipped with a security light feature. This feature activates the light on when the safety sensor beam has been obstructed. Refer to Operation section; *Using the Wall-Mounted Door Control, Light Feature*.

6. My motor unit hums briefly:

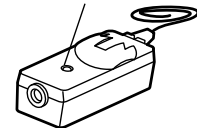
- First verify that the trolley is against the stop bolt.
- Release the door from the opener by pulling the Emergency Release Rope.
- Manually bring the door to a closed position.
- Loosen the belt by adjusting the *outer nut* 4 to 5 turns. This relieves the tension.



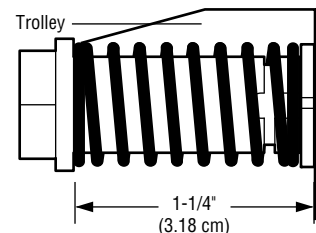
Sending Eye Safety Reversing Sensor (Amber Indicator Light)



Receiving Eye Safety Reversing Sensor (Green Indicator Light)



- Run the motor unit from the remote control or door control. The trolley should travel towards the door and stop. If the trolley re-engages with the door, pull the Emergency Release Rope to disengage.



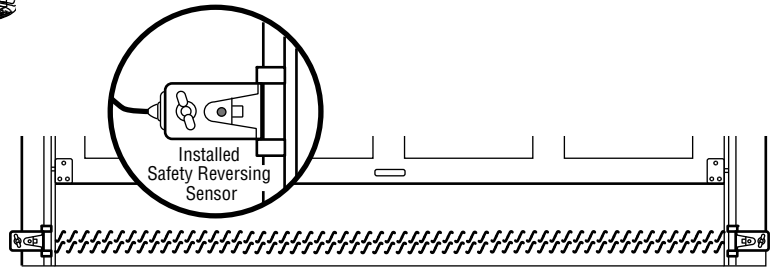
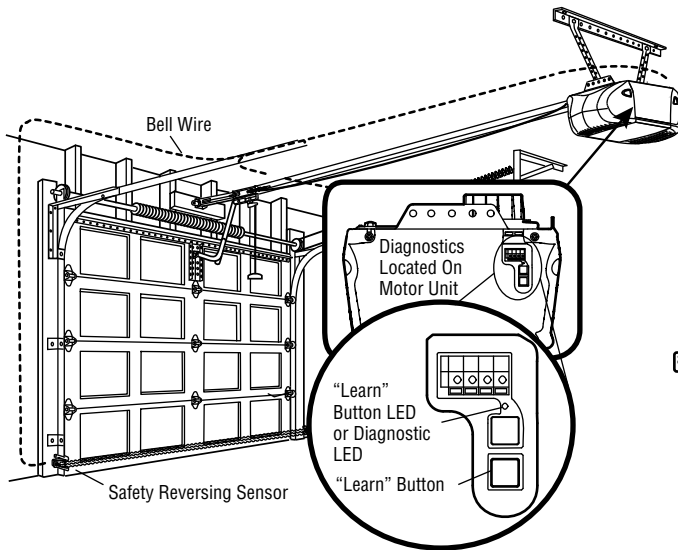
- Re-Tighten the outer nut until the trolley spring is approximately 1-1/4" (3.18 cm) in length.
- If the trolley does not move away from the bolt, repeat the steps above.

7. If battery status LED is not lit properly:

- Check battery connections.

8. My garage door opener beeps:

- A solid LED with beep, sounding approximately every 2 seconds, indicates the motor unit is activating the door and is operating off of the battery.
- A flashing LED with beep, sounding every 30 seconds, indicates battery is low.
- If a red LED remains on when the power is restored, and is accompanied by a beep sounding every 30 seconds, replace the battery.



Your garage door opener is programmed with self-diagnostic capabilities. The "Learn" button/diagnostic LED will flash a number of times then pause signifying it has found a potential issue. Consult Diagnostic Chart below.

Diagnostic Chart

1 FLASH

Safety reversing sensors wire open (broken or disconnected).

OR

2 FLASHES

Safety reversing sensors wire shorted or black/white wire reversed.

3 FLASHES

Door control or wire shorted.

4 FLASHES

Safety reversing sensors slightly misaligned (dim or flashing LED).

5 FLASHES

Motor RPM is not recognized.

- **Symptom: One or both of the Indicator lights on the safety reversing sensors do not glow steady.**
 - Inspect sensor wires for a short (staple in wire), correct wiring polarity (black/white wires reversed), broken or disconnected wires, replace/attach as needed.
 - Disconnect all wires from back of motor unit.
 - Remove sensors from brackets and shorten sensor wires to 1-2 ft (30-60 cm) from back each of sensor.
 - Reattach sending eye to motor unit using shortened wires. If sending eye indicator light glows steadily, attach the receiving eye.
 - Align sensors, if the indicator lights glow replace the wires for the sensors. If the sensor indicator lights do not light, replace the safety reversing sensors.

- **Symptom: LED is not lit on door control.**
 - Inspect door control/wires for a short (staple in wire), replace as needed.
 - Disconnect wires at door control, touch wires together. If motor unit activates, replace door control.
 - If motor unit does not activate, disconnect door control wires from motor unit. Momentarily short across red and white terminals with jumper wire. If motor unit activates, replace door control wires.

- **Symptom: Sending indicator light glows steadily, receiving indicator light is dim or flashing.**
 - Realign receiving eye sensor, clean lens and secure brackets.
 - Verify door track is firmly secured to wall and does not move.

- **Symptom: Door travels 2-3 inches and stops.**
 - Reprogram limits and forces. See Adjustment section.
 - If the motor unit continues to travel 2-3 inches, check the travel module connection or replace the travel module.
- **Symptom: No movement, motor runs 2-3 seconds.**
 - Reconnect the emergency release.
 - Motor may need to be replaced.

Smart Control Panel® Messages

The following messages are contained within the Smart Control Panel® and may appear during the operations of the unit:

Message

SAFETY SENSORS CHECK ALIGNMENT, BLOCKAGE OR MISWIRING SEE OWNER'S MANUAL

- **Meaning:** This message will appear if the safety reversing sensors are out of alignment, if they are blocked or if the wiring is disconnected. To clear message from door control do the following:
 - Check to see that area is clear between the safety reversing sensors.
 - Check to see that the safety reversing sensors are not misaligned.
 - Realign receiving eye sensor, clean lens and secure brackets.
 - Verify door track is firmly secured to wall and does not move.
 - Check to see that the safety reversing sensors' wires are connected to the motor unit.
 - If message has not cleared after the above checks, refer to message #2.

Message

SAFETY SENSORS MALFUNCTION CHECK MISWIRING SEE OWNER'S MANUAL

- **Meaning:** This message will appear if the safety reversing sensors are miswired. To clear the message, do the following:
 - Inspect the safety reversing sensor wires for a short (staple in wire), correct wiring polarity (black/white wires reversed), replace/attach as needed.
 - Disconnect all wires from back of motor unit.
 - Remove safety reversing sensors from brackets and shorten sensor wires to 1-2 ft. (30-60 cm) from back of each sensor.
 - Reattach sending eye to motor unit using shortened wires. If sending eye indicator light glows steadily, attach the receiving eye.
 - Align sensors, if the indicator lights glow replace the wires for the sensors. If the sensor indicator lights do not light, replace the safety reversing sensors.

Message

LEARN REMOTE CONTROL PRESS LEARN BUTTON TO CONFIRM

- **Meaning:** This message will appear when the 'LEARN' button has been pressed on the Door control. Pressing the 'LEARN' button again will allow the user to program an additional remote control to the opener.

Message

LEARN MODE PRESS REMOTE CONTROL BUTTON TO PROGRAM REMOTE

- **Meaning:** This message will appear when the 'LEARN' button has been pressed a second time on the Door control or anytime on the opener. The opener is ready to program another remote control by simply pressing the remote control button. Once the opener has 'LEARNED' the remote control, the worklight will blink one time.

Message

LOCK MODE REMOTE CONTROL LOCKED OUT PRESS LOCK BUTTON TO ENABLE REMOTE

- **Meaning:** This message will appear when the 'LOCK' button has been pressed and held for more than one second. This feature will disable the opener from receiving remote control signals. To exit 'LOCK' mode, press and hold the button for more than one second.

Message

ENGLISH, FRANÇAIS AND ESPAÑOL

- **Meaning:** This message will appear when the 'LANGUAGE' button has been pressed. Pressing the button will toggle to the next language.

Message

MOTION SENSING ON MOTION SENSING OFF

- **Meaning:** This message will appear when the Motion Sensing button is pressed. The motion detector will toggle on or off with each press of the button.

Message

BATTERY BACKUP ENABLED

- **Meaning:** Opener is running on battery power.

Message

BATTERY BACKUP ENABLED

- **Meaning:** Opener is running on battery power with full charge.

Message

BATTERY LOW BATTERY BACKUP ENABLED

- **Meaning:** Opener is running on battery power with low charge.

Message

BATTERY BAD REPLACE BATTERY NOW SEE OWNER'S MANUAL

- **Meaning:** Battery is beyond a recoverable condition.

Message

POWER RESTORED BATTERY CHARGING

- **Meaning:** Battery charging from recent battery backup state.

PROGRAMMING

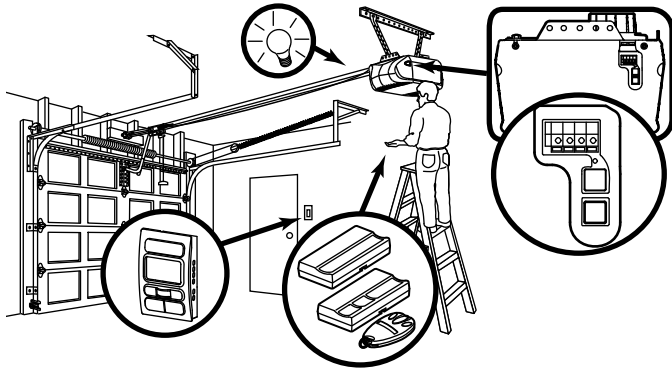
NOTICE: If this Security+® garage door opener is operated with a non-rolling code transmitter, the technical measure in the receiver of the garage door opener, which provides security against code-theft devices, will be circumvented. The owner of the copyright in the garage door opener does not authorize the purchaser or supplier of the non-rolling code transmitter to circumvent that technical measure.

Your garage door opener has already been programmed at the factory to operate with your hand-held remote control. The door will open and close when you press the large push button.

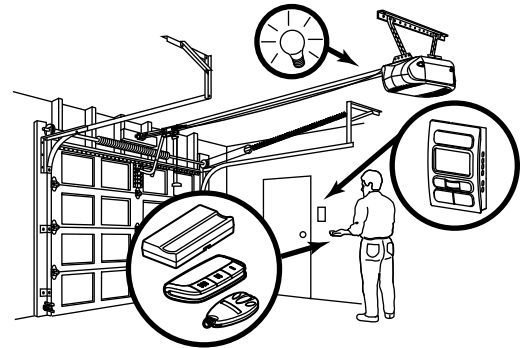
Below are instructions for programming your opener to operate with additional Security+® 315 MHz remote controls.

To Add or Reprogram a Hand-held Remote Control

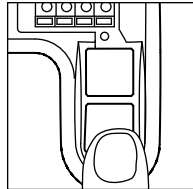
USING THE “LEARN” BUTTON



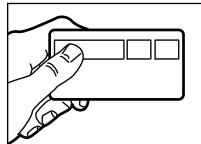
USING THE DOOR CONTROL



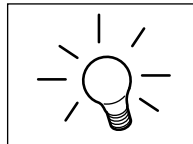
1. Press and release the “learn” button on the motor unit. The learn indicator light will glow steadily for 30 seconds.



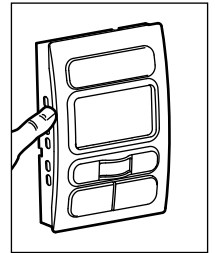
2. Within 30 seconds, press and hold the button on the hand-held remote* that you wish to operate your garage door.



3. Release the button when the motor unit lights blink. It has learned the code. If light bulbs are not installed, two clicks will be heard.

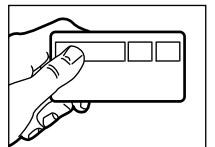


1. Press the Prog <Learn> button on the door control.

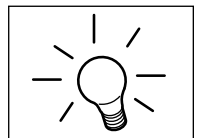


2. Press the Prog <Learn> button again to confirm Learn Mode.

3. Press the button on the hand-held remote* that you wish to operate your garage door.



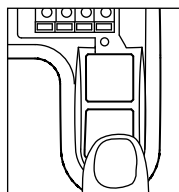
4. When the motor unit lights blink, it has learned the code. If light bulbs are not installed, two clicks will be heard.



To Erase All Codes From Motor Unit Memory

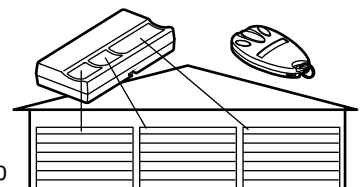
To deactivate any unwanted remote, first erase all codes:

Press and hold the purple “learn” button on motor unit until the learn indicator light goes out (approximately 6 seconds). All previous codes are now erased. Reprogram each remote or keyless entry you wish to use.



*3-Button Remotes (315 MHz)

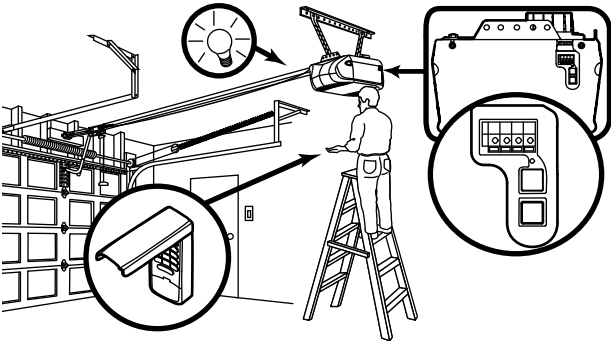
If provided with your garage door opener, the large button is factory programmed to operate it. Additional buttons on any Security+® 3-Button remote or compact remote can be programmed to operate other Security+® garage door openers.



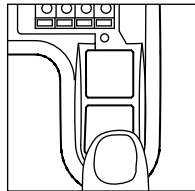
To Add, Reprogram or Change a Keyless Entry PIN

NOTE: Your new Keyless Entry must be programmed to operate your garage door opener.

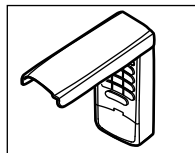
USING THE “LEARN” BUTTON



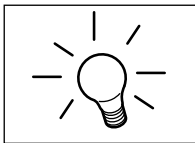
1. Press and release the “learn” button on motor unit. The learn indicator light will glow steadily for 30 seconds.



2. Within 30 seconds, enter a four digit personal identification number (PIN) of your choice on the keypad. Then press and hold the ENTER button.



3. Release the button when the motor unit lights blink. It has learned the code. If light bulbs are not installed, two clicks will be heard.



To change an existing, known PIN

If the existing PIN is known, it may be changed by one person without using a ladder.

1. Press the four buttons for the present PIN, then press and hold the # button.

The opener light will blink twice. Release the # button.

2. Press the new 4-digit PIN you have chosen, then press ENTER.

The motor unit lights will blink once when the PIN has been learned.

Test by pressing the new PIN, then press ENTER. The door should move.

To set a temporary PIN

You may authorize access by visitors or service people with a temporary 4-digit PIN. After a programmed number of hours or number of accesses, this temporary PIN expires and will no longer open the door. It can be used to *close* the door even after it has expired. To set a temporary PIN:

1. Press the four buttons for your personal entry PIN (not the last temporary PIN), then press and hold the * button.

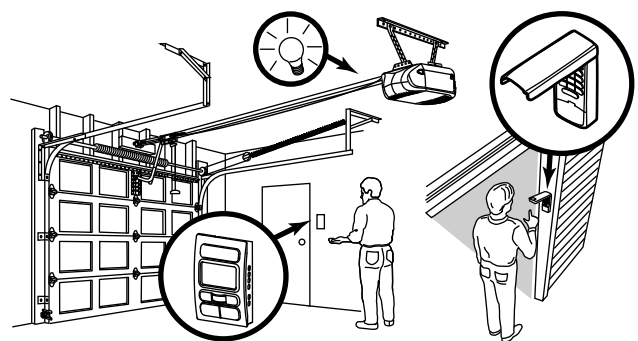
The opener light will blink three times. Release the button.

2. Press the temporary 4-digit PIN you have chosen, then press ENTER.

The opener light will blink four times.

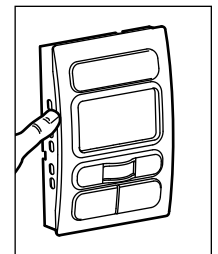
One Button Close: Opener can be closed by pressing only the ENTER button if the one button close feature has been activated. This feature has been activated at the factory. To activate or deactivate this feature press and hold buttons 1 and 9 for 10 seconds. The keypad will blink twice when the one button close is active. The keypad will blink four times when one button close is deactivated.

USING THE DOOR CONTROL



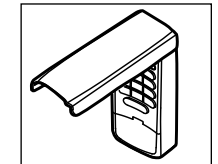
NOTE: This method requires two people if the Keyless Entry is already mounted outside the garage.

1. Press the Prog <Learn> button on the door control.

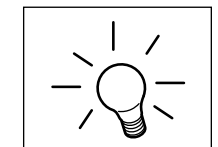


2. Press the Prog <Learn> button again to confirm Learn Mode.

3. Enter a four digit personal identification number (PIN) of your choice on the keypad. Then press ENTER.



4. When the motor unit lights blink, it has learned the code. If light bulbs are not installed, two clicks will be heard.



3. To set the number of **hours** this temporary PIN will work, press the number of hours (up to 255), then press *.

OR

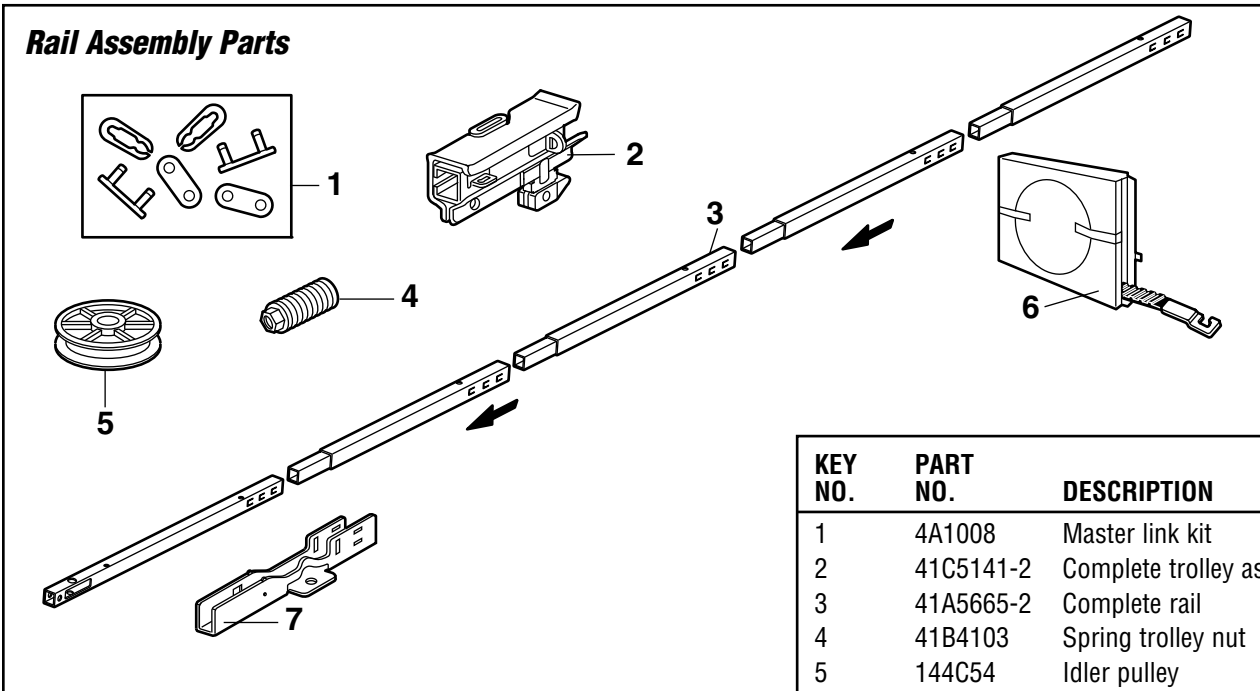
3. To set the number of **times** this temporary PIN will work, press the number of times (up to 255), then press #.

The opener light will blink once when the temporary PIN has been learned.

Test by pressing the four buttons for the temporary PIN, then press ENTER. The door should move. If the temporary PIN was set to a certain number of openings, remember that the test has used up one opening. To clear the temporary password, repeat steps 1-3, setting the number of hours or times to 0 in step 3.

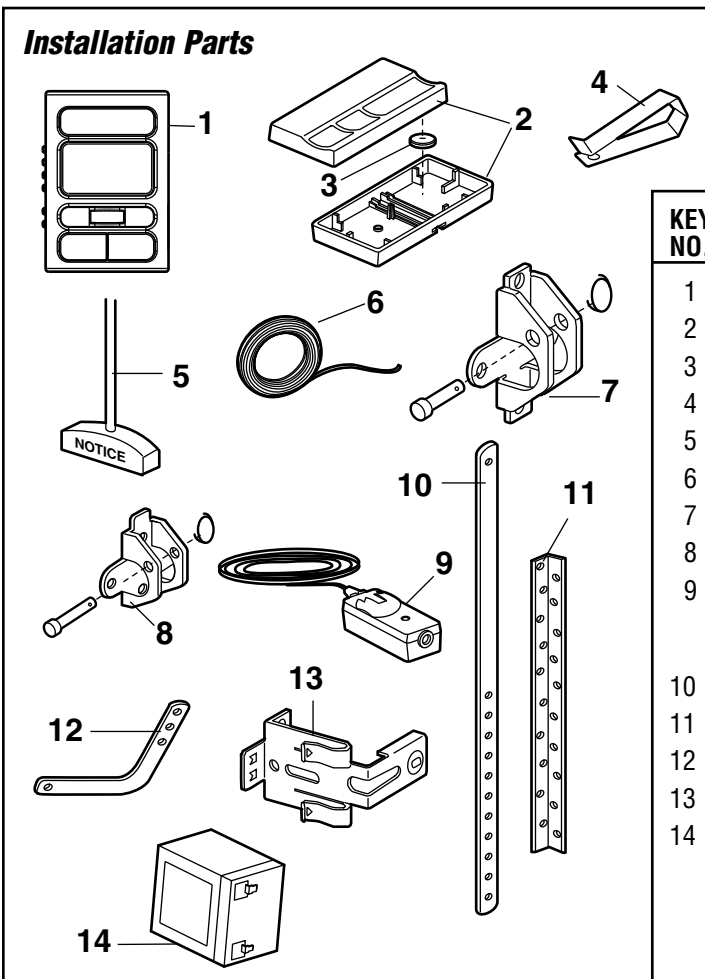
REPAIR PARTS

Rail Assembly Parts



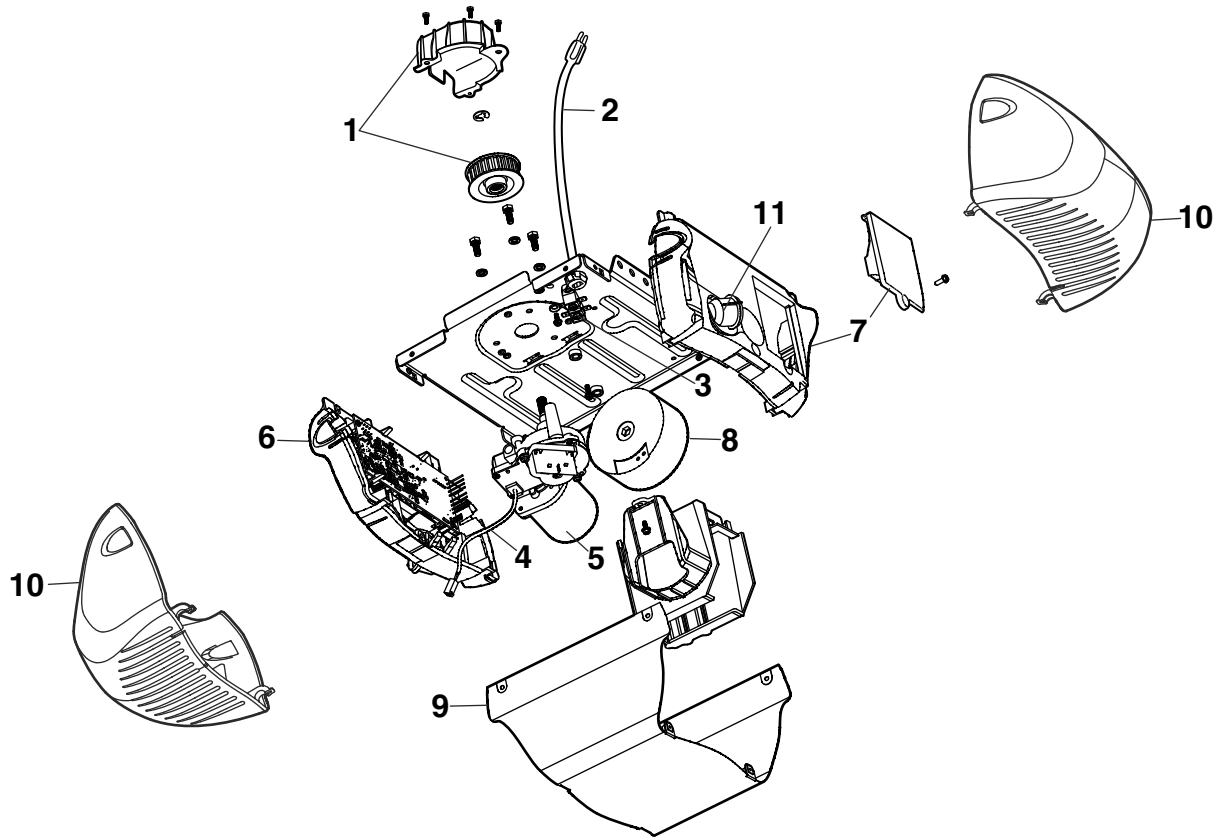
KEY NO.	PART NO.	DESCRIPTION
1	4A1008	Master link kit
2	41C5141-2	Complete trolley assembly
3	41A5665-2	Complete rail
4	41B4103	Spring trolley nut
5	144C54	Idler pulley
6	41A5250	Full belt assembly
7	41D598-1	"U" bracket
		NOT SHOWN
	183A163	Wear pads

Installation Parts



KEY NO.	PART NO.	DESCRIPTION
1	41A6318	Smart Control Panel®
2	953D	3-Button remote control
3	10A20	3V2032 Lithium battery
4	29B137	Remote control visor clip
5	41A2828	Emergency release rope and handle assembly
6	41B4494-1	2-Conductor bell wire, white and white/red
7	41A5047-1	Door bracket w/clevis pin & fastener
8	41A5047-3	Header bracket w/clevis pin & fastener
9	41A5034	Safety reversing sensor kit (receiving and sending eyes) with 3' (.9 m) 2-conductor bell wire
10	178B34	Straight door arm section
11	12B776	Hanging brackets
12	178B35	Curved door arm section
13	41A5266-1	Safety reversing sensor brackets (2)
14	41A6357-1	Battery
		NOT SHOWN
	101D169	Push bar for door control
	41A5257-10	Installation hardware bag (includes hardware listed on page 7)
	114A3288	Owner's manual

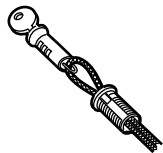
Motor Unit Assembly Parts



KEY NO.	PART NO.	DESCRIPTION	KEY NO.	PART NO.	DESCRIPTION
1	41C76	Belt cap and sprocket	7	41A6231	End panel with battery door and screw
2	41B4245	Line cord	8	41C190	Transformer and harness
3	41B4375-3	Terminal block with screws	9	41D504-6	Cover
4	41A6281	Wire harness kit Complete with: Battery wires and plug Light socket wires and plug RPM/passpoint wires with plug	10	108D79	Light lens
5	41D794	Motor with travel module	11	175B88	Light socket
6	41DB002-2	Receiver logic assembly			NOT SHOWN
				41A6357-1	Battery kit

ACCESSORIES

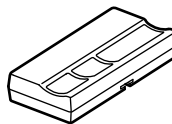
7702CB



Outside Quick Release:

Required for a garage with NO access door.

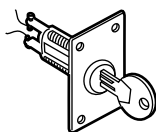
953D



SECURITY+® 3-Button Remote Control ☺:

Includes visor clip.

760CB



Outdoor Key Switch:

Operates the garage door automatically from outside when remote control is not handy.

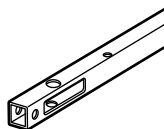
956D



SECURITY+® 3-Button Mini-Remote Control ☺:

With key ring and fastening strip.

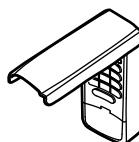
8808CB



8 Foot (2.4 m) Rail Extension:

To allow an 8 foot (2.4 m) door to open fully.

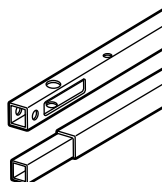
940D



SECURITY+® Keyless Entry ☺:

Enables homeowner to operate garage door opener from outside by entering a password on a specially designed keyboard. Also can add a temporary password for visitors or service persons. This temporary password can be limited to a programmable number of hours or entries.

8810CB



10 Foot (3 m) Rail Extension:

To allow a 10 foot (3 m) door to open fully.

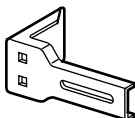
CLDM1



Garage Door Monitor:

Monitors the status of your garage door from inside your home.

41A5281

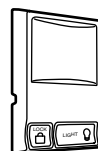


Extension Brackets:

(Optional) For safety reversing sensor installation onto the wall or floor.

To order call: 1-800-528-9131.

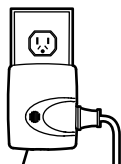
41A6345-1



Wireless Door Control ☺:

Push bar, light feature and auxiliary button. Includes battery.

CLLAD



Remote Light Control ☺:

Enables homeowner to turn on a lamp, television or other appliance from their car with their garage door opener remote or from anywhere in their home with an additional Chamberlain Security+® remote.

CHAMBERLAIN® SERVICE IS ON CALL

OUR LARGE SERVICE ORGANIZATION
SPANS AMERICA

INSTALLATION AND SERVICE INFORMATION IS AS NEAR AS YOUR
TELEPHONE. SIMPLY DIAL OUR TOLL FREE NUMBER:

1-800-528-9131

www.chamberlain-diy.com

For professional installation, parts and service, contact your local CHAMBERLAIN® dealer. Look for him in the Yellow Pages, or call our Service number for a list of dealers in your area.

HOW TO ORDER REPAIR PARTS

Selling prices will be furnished on request, or parts will be shipped at prevailing prices and you will be billed accordingly.

WHEN ORDERING REPAIR PARTS, ALWAYS GIVE
THE FOLLOWING INFORMATION:

- PART NUMBER
- PART NAME
- MODEL NUMBER

ADDRESS ORDERS TO:

THE CHAMBERLAIN GROUP, INC.
Technical Support Group
6050 S. Country Club Road
Tucson, Arizona 85706

SERVICE INFORMATION
TOLL FREE NUMBER:

1-800-528-9131

CHAMBERLAIN® THREE-YEAR LIMITED WARRANTY 10 YEAR BELT LIMITED WARRANTY & LIFETIME MOTOR LIMITED WARRANTY

The Chamberlain Group, Inc. ("Seller") warrants to the first retail purchaser of this product, for the residence in which this product is originally installed, that it is free from defect in materials and/or workmanship for a period of three years from the date of purchase, and that the belt is free from defect in materials and/or workmanship for a period of 10 years from the date of purchase and that the motor is free from defect in materials and/or workmanship for the lifetime of the product. The proper operation of this product is dependent on your compliance with the instructions regarding installation, operation, maintenance and testing. Failure to comply strictly with those instructions will void this limited warranty in its entirety.

If, during the limited warranty period, this product appears to contain a defect covered by this limited warranty, call 1-800-528-9131, toll free, before dismantling this product. Then send this product, pre-paid and insured, to our service center for warranty repair. You will be advised of shipping instructions when you call. Please include a brief description of the problem and a dated proof-of-purchase receipt with any product returned for warranty repair. Products returned to Seller for warranty repair, which upon receipt by Seller are confirmed to be defective and covered by this limited warranty, will be repaired or replaced (at Seller's sole option) at no cost to you and returned pre-paid. Defective parts will be repaired or replaced with new or factory-rebuilt parts at Seller's sole option.

ALL IMPLIED WARRANTIES FOR THE PRODUCT, INCLUDING BUT NOT LIMITED TO ANY IMPLIED WARRANTIES OF MERCHANTABILITY AND FITNESS FOR A PARTICULAR PURPOSE, ARE LIMITED IN DURATION TO THE THREE YEAR LIMITED WARRANTY PERIOD SET FORTH ABOVE [EXCEPT THE IMPLIED WARRANTIES WITH RESPECT TO THE BELT AND MOTOR, WHICH ARE LIMITED IN DURATION TO THE BELT 10 YEARS AND MOTOR LIFETIME LIMITED WARRANTY PERIOD FOR THE BELT AND MOTOR], AND NO IMPLIED WARRANTIES WILL EXIST OR APPLY AFTER SUCH PERIOD. Some States do not allow limitations on how long an implied warranty lasts, so the above limitation may not apply to you. THIS LIMITED WARRANTY DOES NOT COVER NON-DEFECT DAMAGE, DAMAGE CAUSED BY IMPROPER INSTALLATION, OPERATION OR CARE (INCLUDING, BUT NOT LIMITED TO ABUSE, MISUSE, FAILURE TO PROVIDE REASONABLE AND NECESSARY MAINTENANCE, UNAUTHORIZED REPAIRS OR ANY ALTERATIONS TO THIS PRODUCT), LABOR CHARGES FOR REINSTALLING A REPAIRED OR REPLACED UNIT, REPLACEMENT OF BATTERIES AND LIGHT BULBS OR UNITS INSTALLED FOR NON-RESIDENTIAL USE.

THIS LIMITED WARRANTY DOES NOT COVER ANY PROBLEMS WITH, OR RELATING TO, THE GARAGE DOOR OR GARAGE DOOR HARDWARE, INCLUDING BUT NOT LIMITED TO THE DOOR SPRINGS, DOOR ROLLERS, DOOR ALIGNMENT OR HINGES. THIS LIMITED WARRANTY ALSO DOES NOT COVER ANY PROBLEMS CAUSED BY INTERFERENCE. ANY SERVICE CALL THAT DETERMINES THE PROBLEM HAS BEEN CAUSED BY ANY OF THESE ITEMS COULD RESULT IN A FEE TO YOU.

UNDER NO CIRCUMSTANCES SHALL SELLER BE LIABLE FOR CONSEQUENTIAL, INCIDENTAL OR SPECIAL DAMAGES ARISING IN CONNECTION WITH USE, OR INABILITY TO USE, THIS PRODUCT. IN NO EVENT SHALL SELLER'S LIABILITY FOR BREACH OF WARRANTY, BREACH OF CONTRACT, NEGLIGENCE OR STRICT LIABILITY EXCEED THE COST OF THE PRODUCT COVERED HEREBY. NO PERSON IS AUTHORIZED TO ASSUME FOR US ANY OTHER LIABILITY IN CONNECTION WITH THE SALE OF THIS PRODUCT.

Some states do not allow the exclusion or limitation of consequential, incidental or special damages, so the above limitation or exclusion may not apply to you. This limited warranty gives you specific legal rights, and you may also have other rights which vary from state to state.

CHAMBERLAIN®

Whisper Drive®

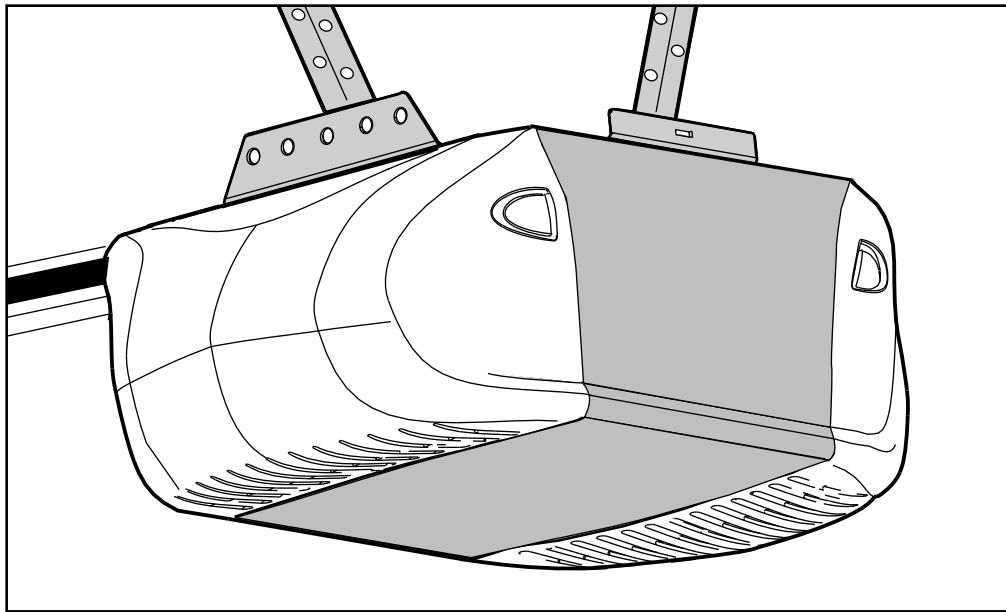
The Chamberlain Group, Inc.
845 Larch Avenue
Elmhurst, Illinois 60126-1196
www.chamberlain.com



SECURITY+® ABRE-PUERTAS DE GARAJE

Modelo HD900D

Sólo para uso residencial



Manual del propietario

- ¡Lea atentamente el contenido de este manual y las instrucciones de seguridad en él incluidas!
- Al terminar la instalación, deje el manual a mano cerca de la puerta del garaje.
- La puerta **NO SE CERRARÁ** si el Protector System® no está conectado y debidamente alineado.
- Como medida de seguridad, es conveniente efectuar inspecciones periódicas del mecanismo de apertura.
- La etiqueta con el número de modelo se encuentra en el panel izquierdo del abre-puertas.

CONTENIDO

Introducción	2-7	Ajustes	28-30
Revisión de los símbolos y términos de seguridad	2	Programar los límites de recorrido	28
Preparación de la puerta del garaje	3	Ajuste la fuerza	29
Herramientas necesarias	3	Pruebe el sistema de retroceso de seguridad	30
Planificación	4-5	Pruebe La Sistema de Protección®	30
Inventario de la caja de cartón	6	Operación	31-37
Inventario de piezas	7	Instrucciones importantes de seguridad	31
Ensamblado	8-11	Uso del abre-puertas de garaje	31
Monte el riel y instale el trole	8	Cómo usar la control de la puerta de pared	32
Instale la polea loca	9	Reserva de batería (opcional)	33
Instale la banda y sujete el retén de la cubierta de la banda	10	Cómo abrir la puerta manualmente	34
Fije la tensión de la banda	11	Mantenimiento de su abridor de puerta de cochera	34
Instalación	11-27	Si tiene algún problema (Resolución de problemas)	35
Instrucciones importantes para la instalación	11	Tabla de diagnostico	36
Determinar la localización de soporte de cabecera	12	Mensajes de la Smart Control Panel®	37
Instale la ménsula del cabezal	13	Programación	38-39
Colocación del riel en la ménsula del cabezal	14	Para agregar o reprogramar un control remoto	38
Coloque el abridor en posición	15	Para borrar todos los códigos de la memoria de la unidad del motor	38
Cuelgue el abridor	16	Controles remotos de 3 botones	38
Instale la control de la puerta	17	Agregar, reprogramar o cambiar un código de entrada sin llave	39
Instale la reserva de batería (opcional)	18	Piezas de repuesto	40-41
Instalación de la bombilla	18	Piezas del riel	40
Instale la manija y la cuerda de emergencia	19	Piezas del instalación	40
Requisitos para la instalación eléctrica	20	Piezas de la unidad del motor	41
Instale La Sistema de Protección®	21-23	Accesorios	42
Fije la ménsula de la puerta	24-25	Notas	43
Conecte el brazo de la puerta al trole	26-27	Piezas y servicio de reparación	44
		Garantía	44

INTRODUCCIÓN

Revisión de los Símbolos y Términos de Seguridad

Este abridor de puerta de cochera ha sido diseñado y probado para un funcionamiento seguro, siempre y cuando se instale, se pruebe, se opere y se le dé mantenimiento como se indica en este manual, cumpliendo al pie de la letra con todas las advertencias e instrucciones generales aquí contenidas.

ADVERTENCIA

Mecánica

ADVERTENCIA

Electricidad

PRECAUCIÓN

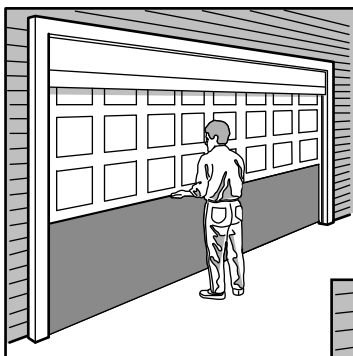
Estas advertencias y/o símbolos de seguridad que aparecen en este manual le alertarán de que existe el riesgo de **una lesión seria o de muerte** si no se siguen las instrucciones correspondientes. El peligro puede ser eléctrico (electrocución) o mecánico. Lea las instrucciones con mucho cuidado.

Cuando vea esta palabra y/o símbolo de seguridad en este manual, le alertará de que existe el riesgo de dañar la puerta de la cochera y/o el abridor si no se siguen las instrucciones correspondientes. Lea las instrucciones con mucho cuidado.

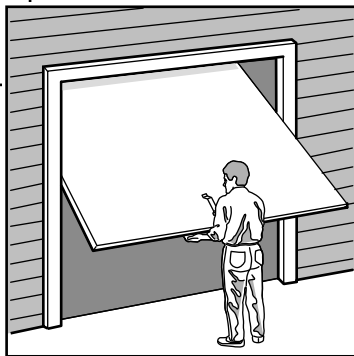
Preparación de la puerta del garaje

Antes de comenzar:

- Desactive las trabas y seguros.
 - Quite toda cuerda conectada a la puerta del garaje.
 - **Lleve a cabo la siguiente prueba** para verificar que la puerta del garaje está balanceada y no tenga obstrucciones de movimiento:
 1. Levante la puerta hasta la mitad de su recorrido como se muestra. Suelte la puerta. Si está bien balanceada, deberá mantenerse en esa posición con sólo el soporte de los resortes.
 2. Suba y baje la puerta; observe si se atora con algo o si se atasca.
- Si la puerta se atora, se atasca o está desbalanceada, llame a un técnico profesional para que la repare.



Puerta de paneles seccionales



Puertas de una sola pieza

⚠ ADVERTENCIA

Para evitar la posibilidad de LESIONES GRAVES o INCLUSO LA MUERTE:

- Si la puerta se atora, se atasca o está desbalanceada, SIEMPRE llame a un técnico profesional para que la repare. Es posible que una puerta de garaje que no esté bien balanceada NO retroceda cuando se requiera.
- NUNCA trate de aflojar, mover, ni ajustar la puerta del garaje, los resortes, los cables, las poleas, las ménsulas ni los pernos, pues TODAS estas piezas están bajo una tensión EXTREMA.
- Para evitar interferencias, desactive TODAS las trabas y quite TODAS las cuerdas conectadas a la puerta del garaje, ANTES de instalar y poner en uso el abre-puertas.

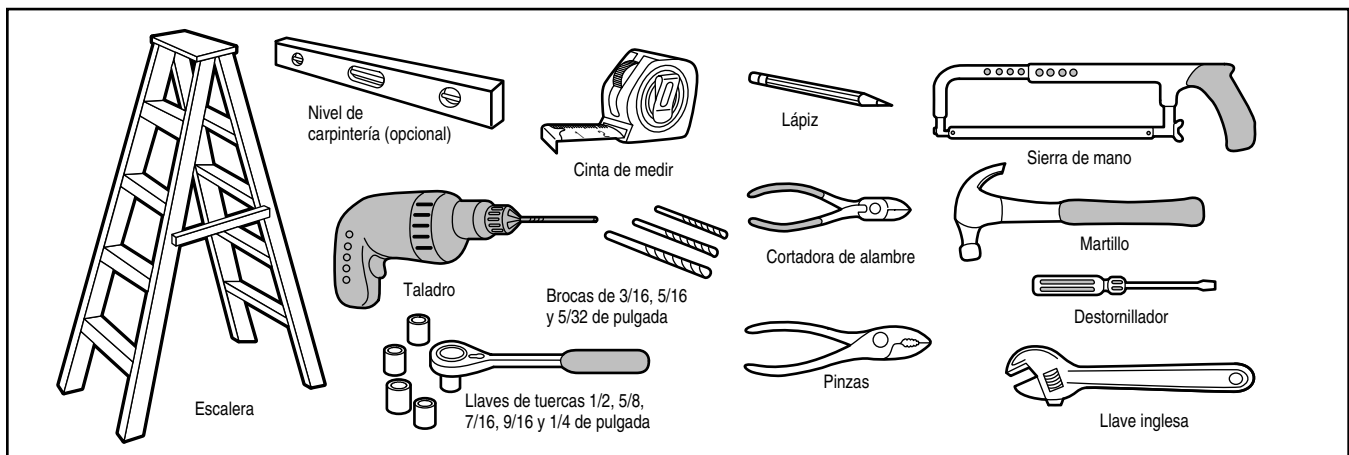
PRECAUCIÓN

Para evitar daños a la puerta y al abre-puertas:

- SIEMPRE desactive las trabas y seguros ANTES de instalar y usar el abre-puertas.
- SOLAMENTE opere el abre-puertas de garaje con corriente de 120V 60 Hz con object de evitar su mal funcionamiento y que el abre-puertas se dañe.

Herramientas necesarias

Durante el montaje, instalación y ajuste del abre-puertas, las instrucciones indicarán usar las herramientas que aparecen en la siguiente ilustración.



Planificación

Identifique la altura y el tipo de su puerta de cochera. Revise el área de su cochera y observe si alguna de las siguientes instalaciones corresponden a la suya. A veces se requieren materiales adicionales, así que tal vez sea conveniente tener esta hoja y las ilustraciones correspondientes a mano cuando inicie la instalación de su abridor.

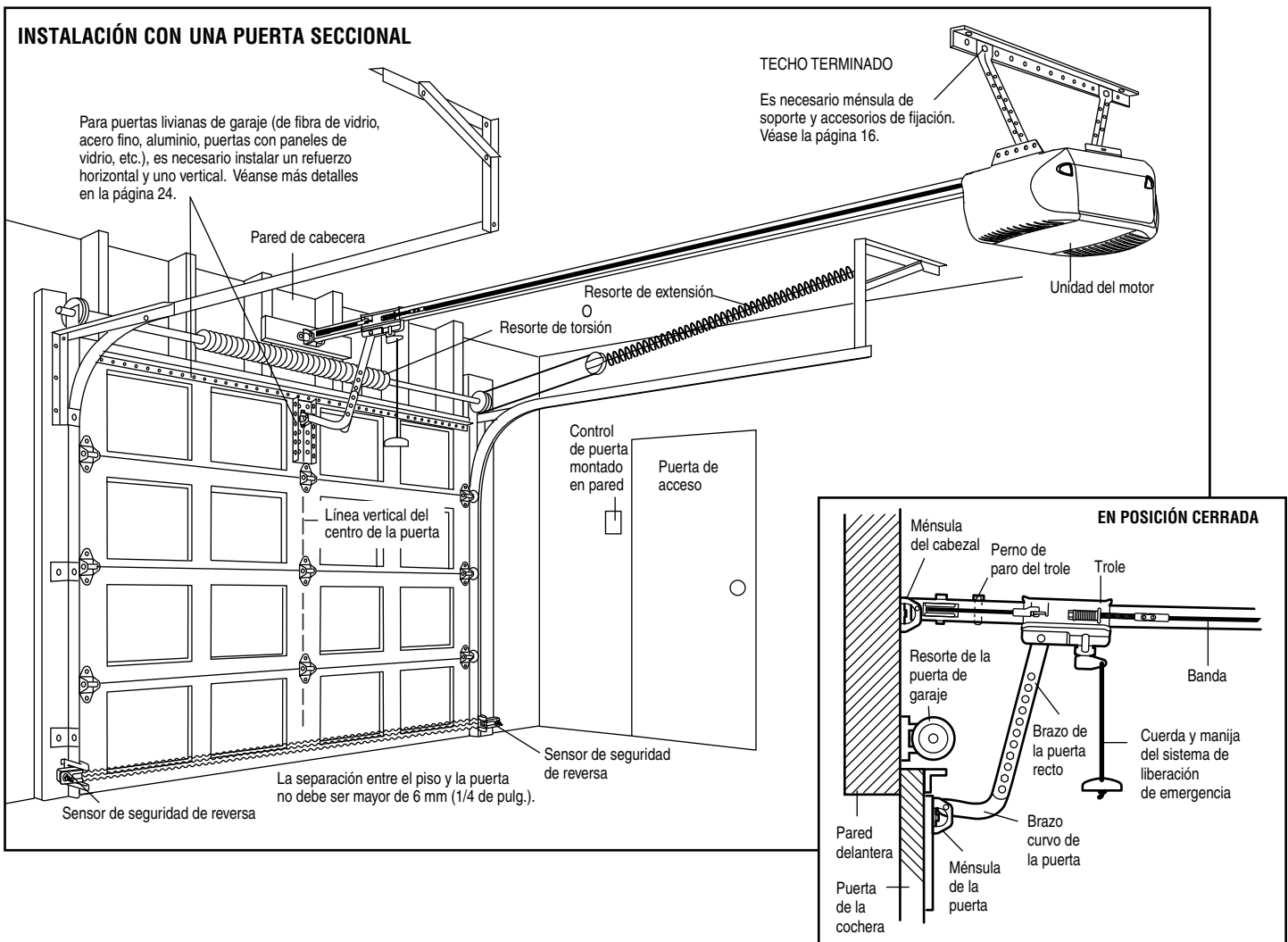
Dependiendo de sus necesidades individuales, es posible que en algunos casos vaya a necesitar materiales o herramientas que no se incluyen con este producto.

- Instalación Paso 1 – Observe la pared o el cielo raso justo por encima de la puerta de la cochera. La ménsula del cabezal debe estar firmemente sujeta a los soportes de la estructura.
- Instalación Paso 5 – Si el plafón o cielo raso de su cochera tiene acabado, es posible que necesite una ménsula de soporte y/o más pernos y tornillería para la instalación.
- Instalación Paso 11 – Dependiendo del tipo de construcción de su cochera, es posible que necesite ménsulas de extensión o bloques de madera para instalar los sensores.
- Instalación Paso 11 – El montaje en el piso del sensor que activa el sistema de retroceso de seguridad podría requerir piezas que no se incluyen.
- ¿Hay otra puerta que dé acceso a la cochera? Si no es así, será necesario contar con el sistema de llave de emergencia Modelo 7702CB. Vea la página de Accesorios.

- Observe el punto donde la puerta hace contacto con el piso. El espacio entre la base de la puerta y el piso no debe exceder 6 mm (1/4 de pulgada). Si no es así, se corre el riesgo de que el sistema de retroceso de emergencia no funcione correctamente. Vea Ajustes, Paso 3. Será necesario reparar ya sea el piso o la puerta.

INSTALACIÓN CON UNA PUERTA SECCIONAL

- Si tiene una puerta de acero, aluminio, fibra de vidrio o con paneles de vidrio, necesitará refuerzos verticales y horizontales en la puerta (Instalación, Paso 12).
- El abridor se debe instalar por encima del centro de la puerta, pero si existe algún resorte de tensión o placa de apoyo en el paso de la ménsula del cabezal, se puede instalar hasta a 1.22 m (4 pies) a la derecha o a la izquierda del centro de la puerta. Vea Instalación, Pasos del 1 al 12.
- Si su puerta es de más de 2.13 m (7 pies) de altura, vea Extensiones de riel en la sección de Accesorios.



Planificación (continúa)

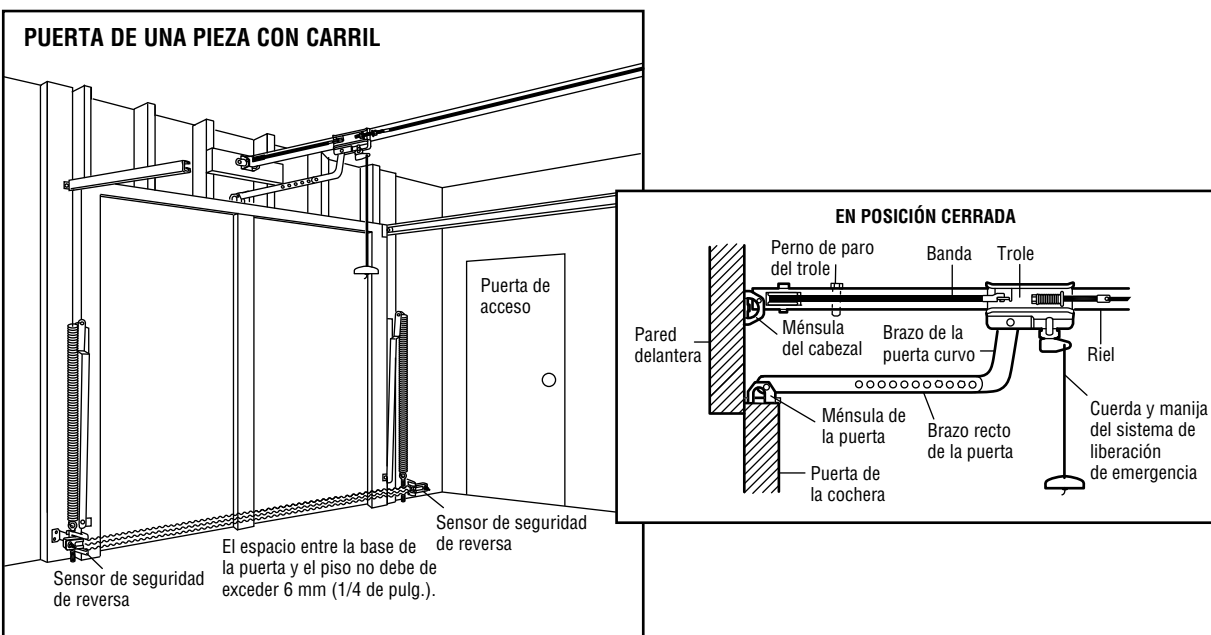
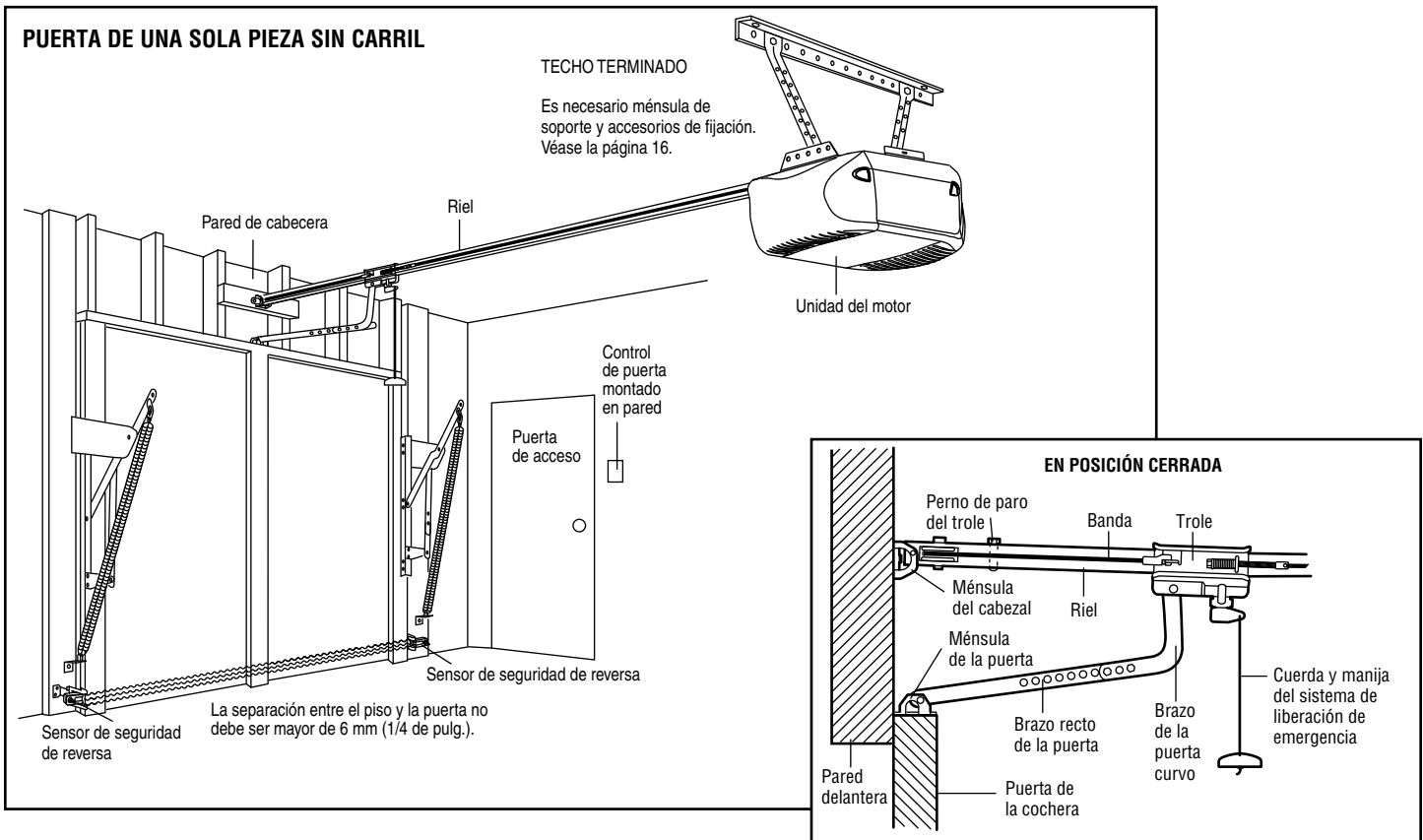
INSTALACIÓN CON PUERTAS DE UNA SOLA PIEZA

- Generalmente una puerta de una sola pieza no requiere refuerzos adicionales. Si usted tiene una puerta de material liviano y quiere reforzarla, consulte la información respecto a puertas seccionales, contenida en Instalación, Paso 12.
- Dependiendo del diseño de su puerta, tal vez necesite piezas de montaje adicionales para la ménsula de la puerta (Paso 12).

! ADVERTENCIA

Sin un sistema de retroceso de seguridad que funcione debidamente, al cerrar la puerta de la cochera se corre el riesgo de que las personas (y en particular los niños pequeños) sufran **LESIONES GRAVES** o **INCLUSO LA MUERTE**.

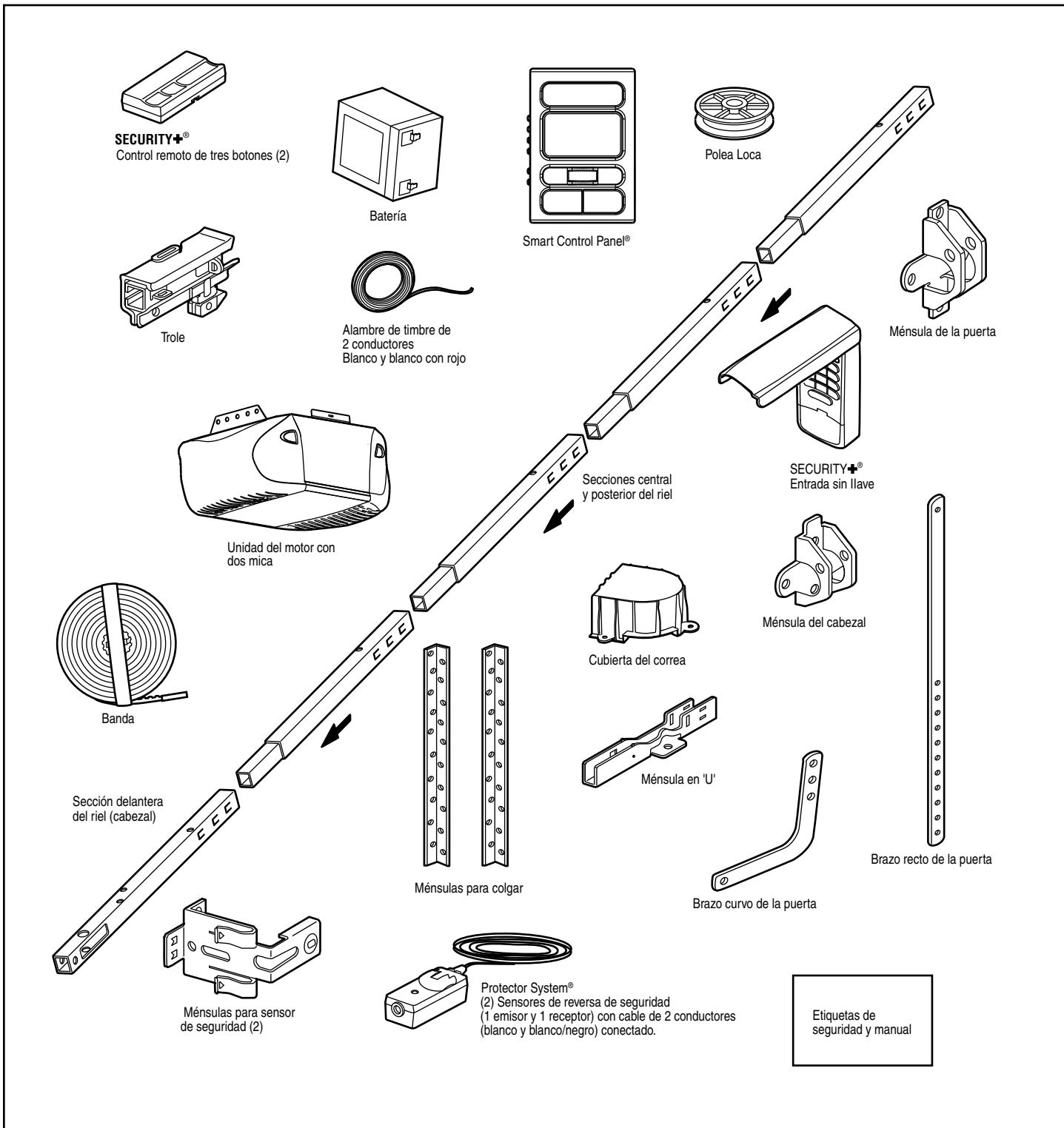
- El espacio entre la base de la puerta de la cochera y el piso **NO DEBE** exceder 6 mm (1/4 de pulgada). De no ser así, el sistema de retroceso de seguridad **NO** va a funcionar debidamente.
- El piso o la puerta de la cochera se **DEBE** reparar para eliminar este espacio.



Inventario de la caja de cartón

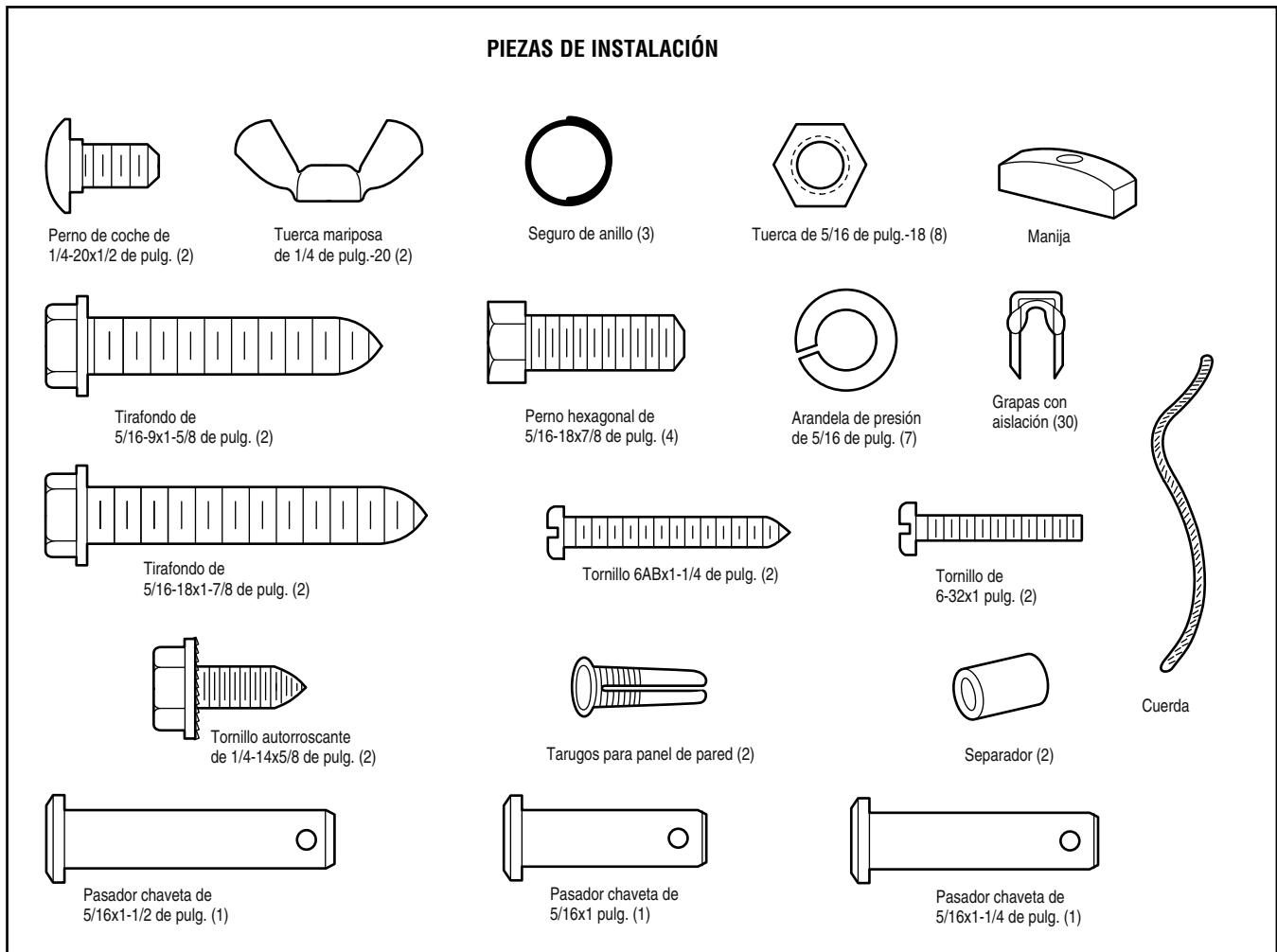
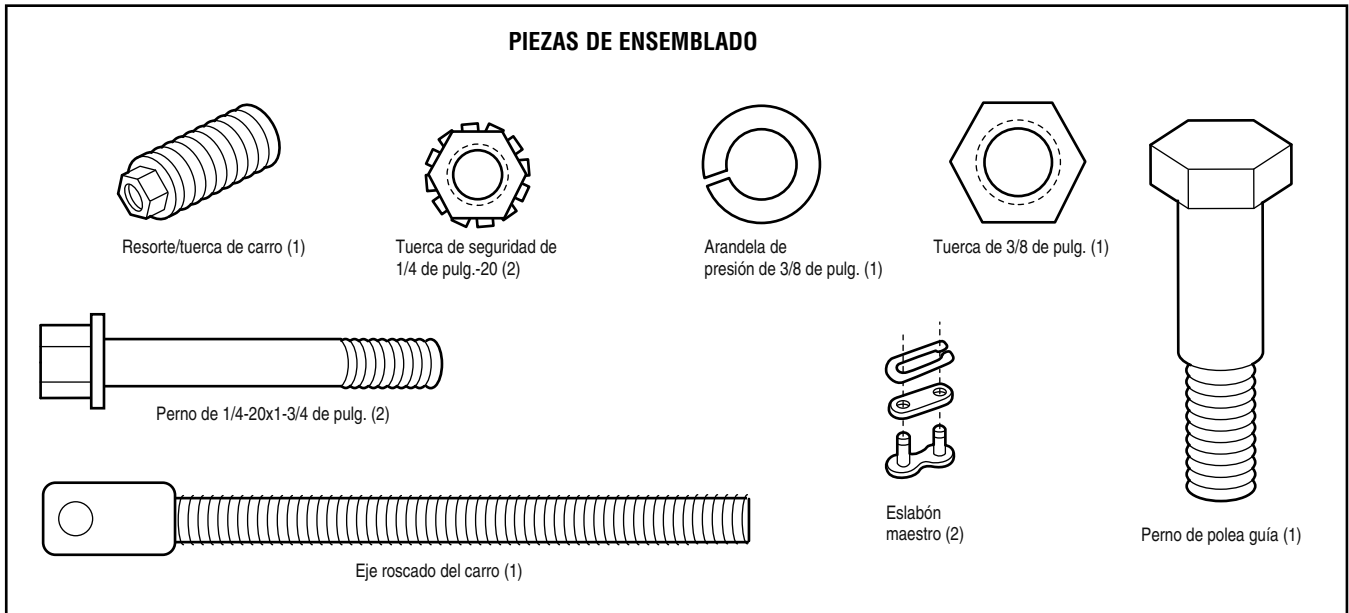
Su abre-puertas viene empacado en dos cajas de cartón que contienen el motor y todas las piezas que se muestran en la siguiente ilustración. Los accesorios incluidos van a depender del modelo que haya comprado. Si falta alguna pieza, revise con cuidado el material de empaque, ya que

podrían quedar piezas atrapadas en la espuma sintética. Toda la pernería y las piezas necesarias para el instalación de su abre-puertas se es.



Inventario de Piezas

Antes de la instalación, organice todas las piezas en grupos como se muestra en la siguiente ilustración.



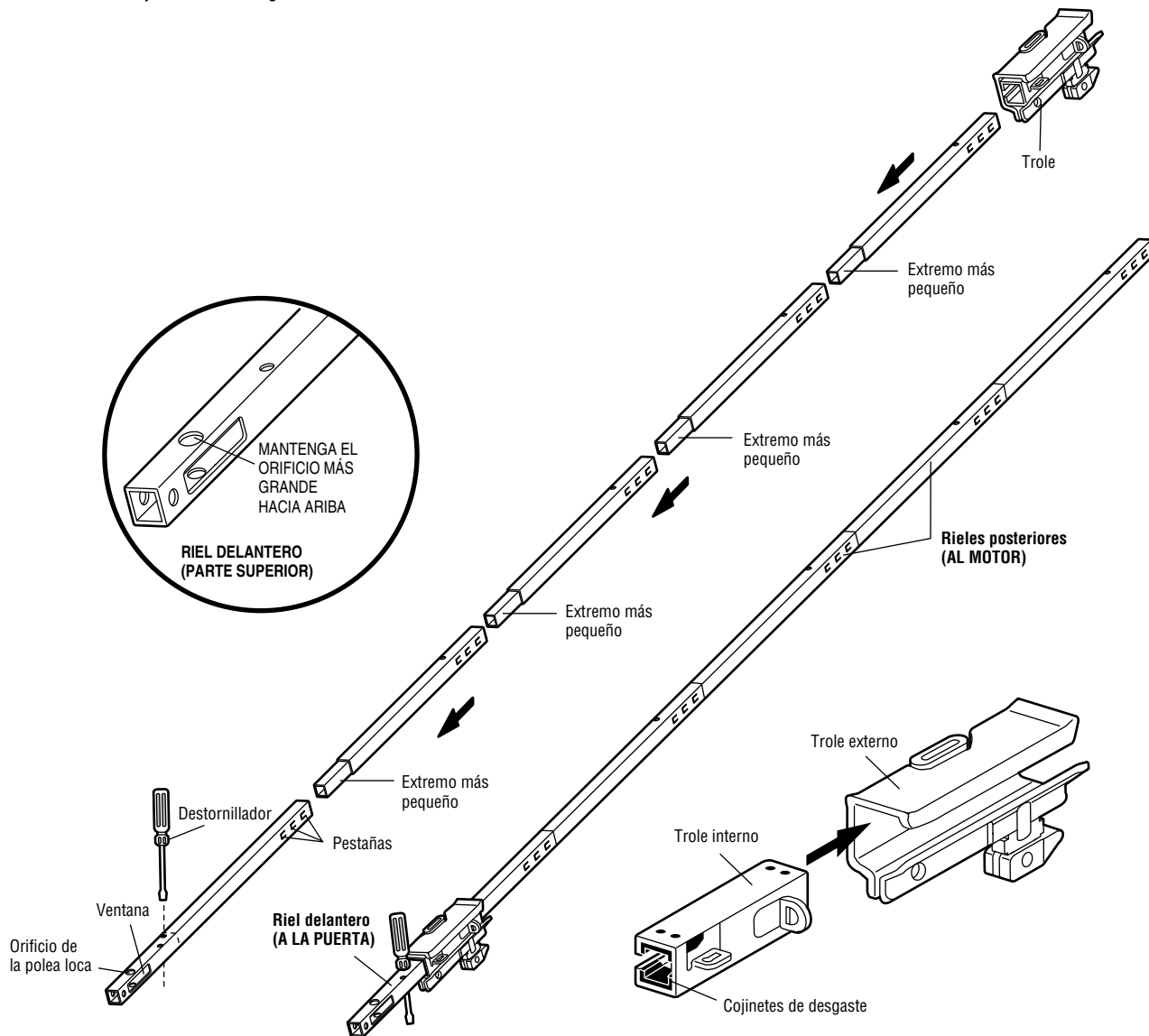
ENSAMBLADO PASO 1

Monte el riel y instale el trole

No encienda ni use el abre-puertas hasta que llegue al paso de la instalación correspondiente, de otra manera corre el riesgo de complicar el proceso de instalación.

El riel delantero tiene una "ventana" cortada en el extremo de la puerta (vea la ilustración). El orificio que se encuentra por encima de esta ventana es más grande en la parte superior del riel que en la parte inferior. Hay un orificio más pequeño que se encuentra a 8.9 cm (3-1/2 de pulg.) y está cerca de la orilla del riel. Gire el riel posterior de manera que tenga un orificio similar cerca de la orilla **opuesta**, más o menos a 12 cm (4-3/4 de pulg.) del extremo.

1. Quite el brazo recto de la puerta, las ménsulas para colgar y el pasador de chaveta que viene empacado dentro del riel delantero y póngalos a un lado para usarlos en el Paso 5 y 12 de la Instalación.
NOTA: Para no sufrir una **LESIÓN** al desempacar el riel, mueva con cuidado el brazo recto de la puerta que está almacenado dentro de la sección de riel.
2. Alinee las secciones del riel sobre una superficie plana exactamente como se indica y luego deslice los extremos más pequeños dentro de los más grandes. Las pestañas que se encuentran a lo largo de los lados del riel se van a ajustar en su lugar.



PRECAUCIÓN

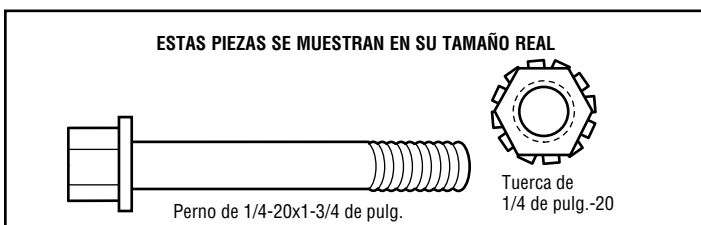
Para evitar QUE SE PELLIZQUE, conserve los manos y dedos lejos de las juntas cuando monte el riel.

3. Coloque el motor sobre el material de empaque para proteger la cubierta del mismo y apoye el extremo posterior del riel encima. Para que le resulte más cómodo, ponga algún tipo de apoyo bajo el extremo delantero del riel.
4. Ponga en el riel un destornillador en el orificio que es 25 cm (10 pulg.) del frente del riel como tope temporal del trole, como se indica en la ilustración.
5. Revise y cerciórese de que haya 4 cojinetes de desgaste dentro del trole interno, estos cojinetes son de plástico. Si los cojinetes se han soltado durante el transporte, revise todo el material de empaque. Ponga los cojinetes de desgaste en su lugar como se indica.
6. Deslice el trole a lo largo del riel desde el extremo posterior hacia el destornillador.

ENSAMBLADO PASO 2

Fijar riel al abre-puertas de garaje

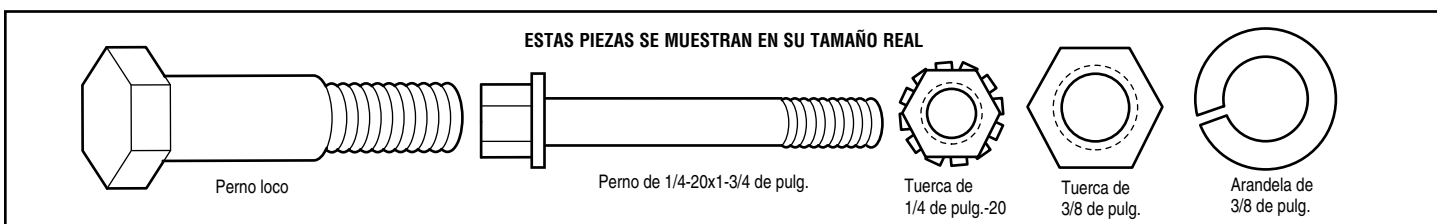
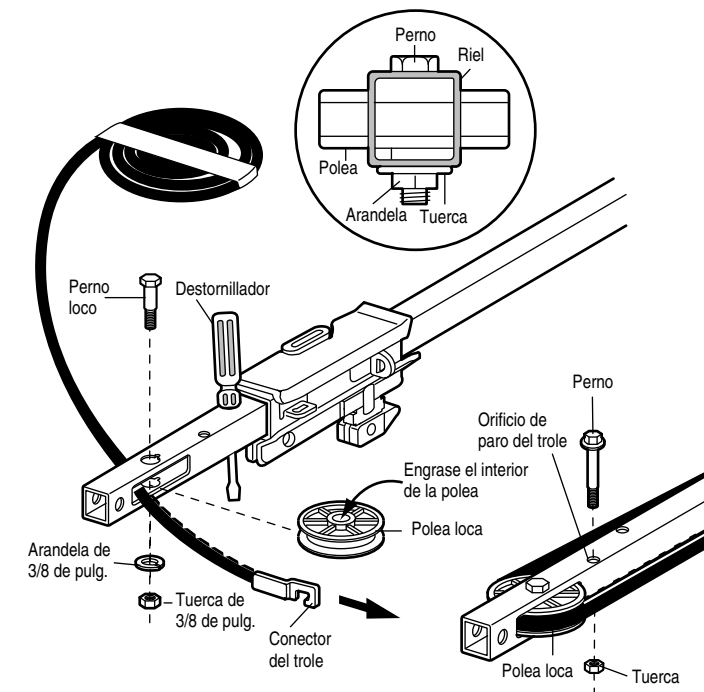
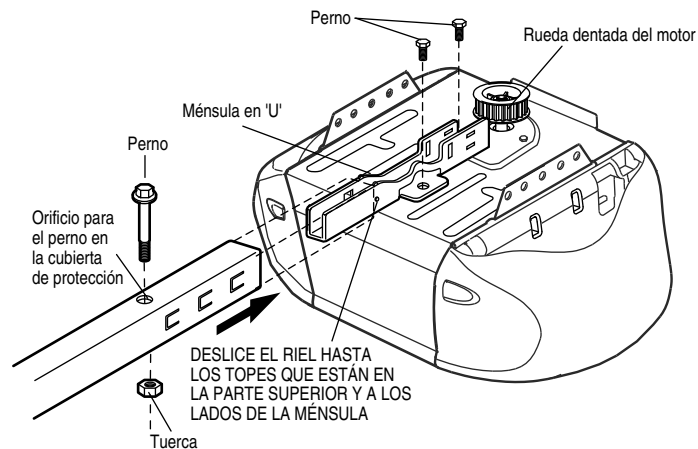
- Coloque un perno de 1/4-20x1-3/4 de pulg. dentro del orificio de la cubierta de protección que se encuentra en el extremo posterior del riel, como se indica en la ilustración. Apriete bien el perno con tuerca de 1/4-20 de pulg. *NO ajuste demasiado la tuerca.*
- Quite dos pernos de la parte superior del motor.
- Ponga la ménsula en 'U' sobre el motor con el lado plano hacia abajo y alinee los orificios de la ménsula con los orificios de los pernos. Sujete con los pernos que quitó antes.
- Alinee el riel con la parte superior del motor. Deslice el extremo del riel en la ménsula en 'U', *hasta los topes que sobresalen en la parte superior y a los lados de la ménsula.*



ENSAMBLADO PASO 3

Instale la polea loca

- Ponga la banda a un lado del riel como se muestra en la ilustración. Tome el extremo del cable y pase por la ventana aproximadamente 30 cm (12 pulg.) Déjelo que cuelgue hasta que lleque al Paso 5 de Montaje.
- Retire la cinta de la polea loca. El interior del centro debe estar engrasado. Si se ha secado, vuelva a engrasarlo para asegurar que la operación sea adecuada.
- Coloque la polea loca dentro de la ventana como se muestra en la ilustración.
- Inserte el perno loco desde la parte superior y a través del riel y la polea. Apriete con una arandela y una tuerca de 3/8 de pulg. por debajo del riel hasta que la arandela quede comprimida.
- Haga girar la polea para cerciorarse de que da vuelta libremente.
- Pase un perno de 1/4-20x1-3/4 de pulg. por el orificio de paro del trole que se encuentra en la parte delantera del riel, como se muestra en la ilustración. Apriete bien con una tuerca de 1/4-20 de pulg.



ENSAMBLADO PASO 4

Instale la banda y sujete el retén de la cubierta de la banda

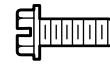
1. Jale la banda alrededor de la polea loca hacia el trole. *El lado acanalado debe estar en contacto con la polea.*
2. Enganche el conector del trole en la ranura de retención que se encuentra en el trole como se indica en la ilustración.
3. Ponga el trole contra las pinzas y alimente el resto de la banda a todo lo largo del riel hacia la unidad del motor y alrededor de la rueda dentada. Los dientes de la rueda dentada deben retener la polea.
4. Verifique que la banda no esté torcida y que el lado **PLANO** del eje roscado del trole esté hacia el riel. Conéctelo al eje roscado del trolley al estabón maestro, como aparece en la ilustración.
 - Ponga los pasadores de la barra del eslabón maestro a través de los orificios que se encuentran en el extremo de la banda y por la flecha dentada del trole.
 - Ponga la cubierta del eslabón maestro sobre los pasadores y más allá de las ranuras de los pasadores.
 - Deslice el resorte de clip sobre la cubierta y en las ranuras de los pasadores hasta que ambos pasadores queden firmes y seguros en su lugar.
5. Inserte el eje roscado del trolley en el orificio del trole. *Cerciórese de que la banda no esté torcida y que el lado **PLANO** del eje roscado del trolley esté hacia el riel.*
6. Sostenga la banda en la flecha del trole a medida que atornilla la tuerca de resorte manualmente en la flecha hasta que esté bien ajustada contra el trole. *NO use herramientas para hacer esto.*
7. Quite el destornillador.
8. Coloque el retén de la cubierta de la banda sobre la rueda dentada del abridor como se muestra en la ilustración, y sujete la placa de montaje con los tornillos hexagonales de 8x3/8 de pulg. que se incluyen.

⚠ ADVERTENCIA

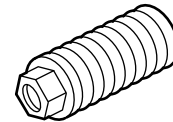
Para evitar posibles LESIONES GRAVES en los dedos causadas por las partes móviles del abridor de puerta de cochera:

- Aparte SIEMPRE la mano de la polea de la correa mientras haga funcionar el abridor.
- Conecte bien la cubierta de la polea de la correa ANTES de hacer funcionar.

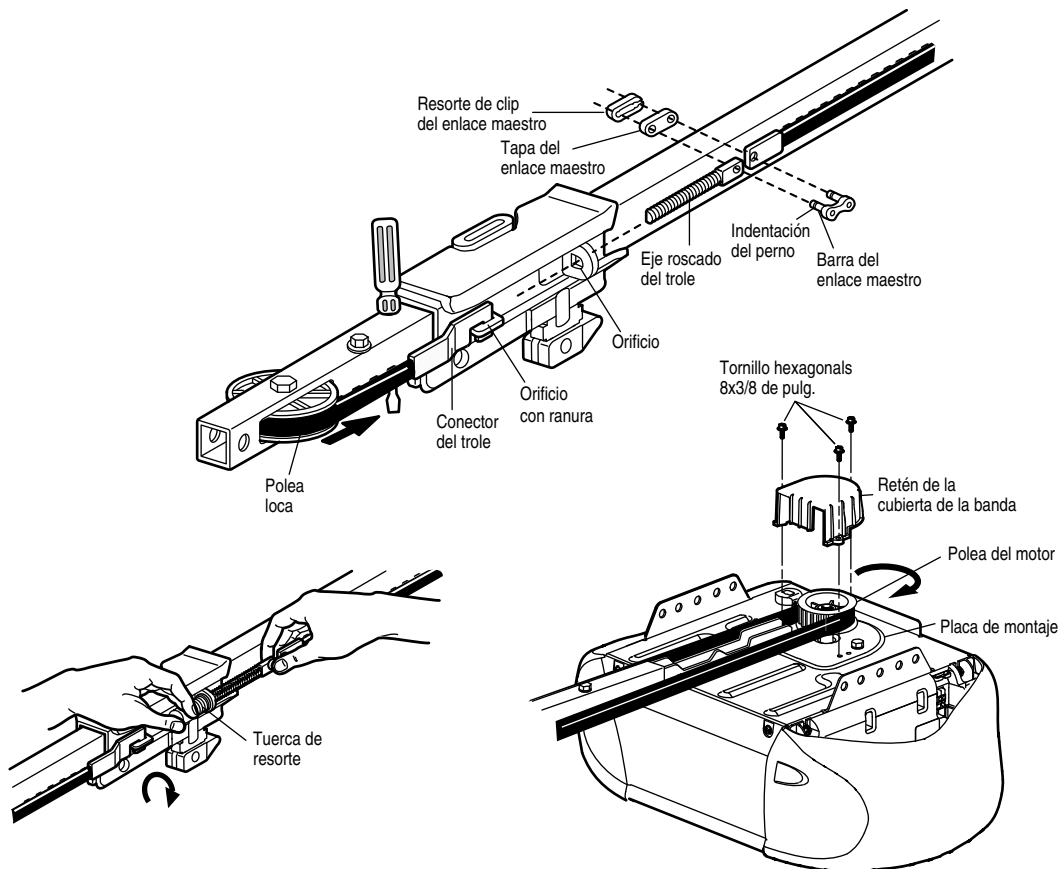
ESTAS PIEZAS SE MUESTRAN EN SU TAMAÑO NORMAL



Tornillo hexagonal 8x3/8 de pulg.



Resorte / tuerca del trole



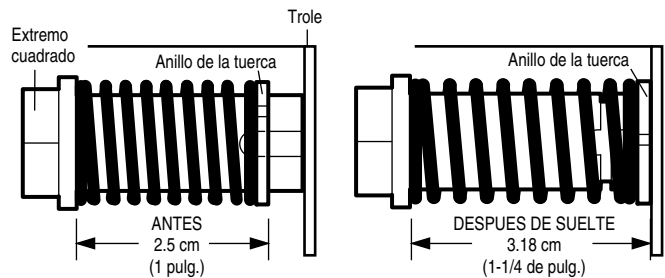
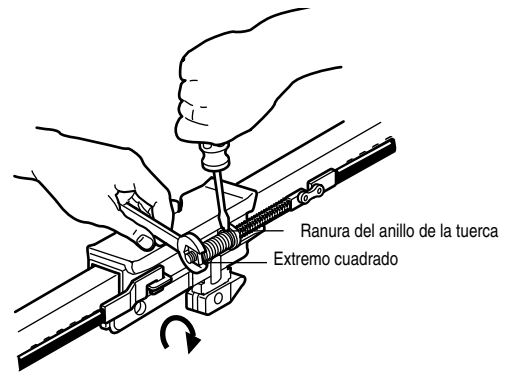
ENSAMBLADO PASO 5

Fije la tensión de la banda

- Ponga la punta de un destornillador dentro de una de las ranuras del anillo de la tuerca y sujételo firmemente contra el trole.
- Ponga una llave abierta de 7/16 de pulg en el extremo cuadrado. Dé vuelta a la tuerca más o menos un 1/4 de su giro completo hasta que se suelte el resorte y el anillo de la tuerca quede contra el trole.

Esto fija el resorte a la tensión óptima de la banda.

Ya terminó de armar su abridor de puerta de cochera. Lea las siguientes advertencias antes de continuar a la sección de instalación.



INSTALACIÓN

INSTRUCCIONES IMPORTANTES PARA LA INSTALACIÓN

ADVERTENCIA

Para reducir el riesgo de una LESIÓN GRAVE o LA MUERTE:

1. LEA Y SIGA AL PIE DE LA LETRA TODAS LAS INSTRUCCIONES PARA LA INSTALACIÓN.
2. Instale el abridor de puerta de cochera SÓLO si la puerta de la cochera está debidamente balanceada y lubricada. Si la puerta no está debidamente balanceada es posible que NO retroceda cuando se requiera, lo que podría ocasionar una LESIÓN GRAVE o INCLUSO LA MUERTE.
3. TODAS las reparaciones de los cables, resortes y otras piezas las DEBE llevar a cabo un técnico especializado en sistemas de puertas, ANTES de instalar el abridor.
4. Quite TODOS los seguros y retire TODAS las cuerdas conectadas a la puerta de la cochera ANTES de instalar el abridor para evitar que se enreden.
5. Instale el abridor de la puerta de cochera a una distancia de 2.1 m (7 pies) del piso.
6. Monte la manija de liberación de emergencia a una distancia de 1.8 m (6 pies) del piso.
7. NUNCA conecte el abridor de la puerta de cochera a una fuente de energía eléctrica hasta que así se indique.
8. NUNCA lleve puestos relojes, anillos ni ropa muy floja mientras esté instalando o dando servicio al abridor, pues podrían atorarse en la puerta de la cochera o en los mecanismos del abridor.
9. Instale la control de la puerta de garaje de pared:
 - de manera que quede a la vista desde la puerta de la cochera.
 - fuera del alcance de los niños y a una altura mínima de 5 pies (1.5 m).
 - lejos de TODAS las partes móviles de la puerta.
10. Coloque la calcomanía que advierte sobre el riesgo de atraparse cerca del control de la puerta de la cochera, en la pared.
11. Coloque la calcomanía que contiene la prueba de retroceso de seguridad y liberación de emergencia a plena vista en la parte interior de la puerta de la cochera.
12. Al concluir la instalación, pruebe el sistema de retroceso de seguridad. La puerta DEBE retroceder al entrar en contacto con un objeto de 3.8 cm (1-1/2 de pulg.) o bien con un pedazo de madera de 5x10 cm (2x4 pulg.) puesto plano sobre el piso.
13. Para evitar LESIONES PERSONALES GRAVES o MORTALES debidas a electrocución, desconecte TODA la corriente eléctrica y de la batería ANTES de realizar cualquier servicio o mantenimiento.

INSTALACIÓN PASO 1

Determinar la localización de soporte de cabecera

ADVERTENCIA

Para evitar una posible LESIÓN GRAVE o INCLUSO LA MUERTE:

- La ménsula del cabezal DEBE quedar RÍGIDAMENTE sujeta al soporte estructural en la pared delantera o en el cielo raso, de no ser así es posible que la puerta del garaje NO retroceda cuando se requiera. NO instale la ménsula del cabezal en muros falsos.
- Se DEBEN usar sujetadores para concreto si el montaje de la ménsula del cabezal o del pedazo de madera de 3.8 cm (2x4 pulg.) se hace en mampostería.
- NUNCA trate de aflojar, mover, ni ajustar la puerta del garaje, los resortes, los cables, las pleas, las ménsulas ni la pernería, pues TODAS estas piezas están bajo una tensión EXTREMA.
- SIEMPRE llame a un técnico especializado en sistemas de puertas si la puerta del garaje se atasca, atora o si está desequilibrada. Una puerta de garaje que no esté equilibrada puede NO retroceder cuando se requiera.

Los procedimientos de instalación varían según el tipo de puerta de garaje. Siga las instrucciones que corresponden a su tipo de puerta.

1. Con la puerta cerrada, localizar y marcar la línea vertical del centro de la misma.
2. Extender la marca de la línea de centro hasta la pared sobre la puerta.

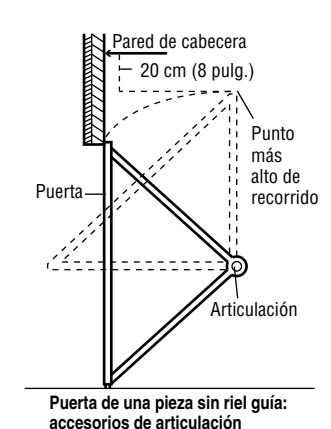
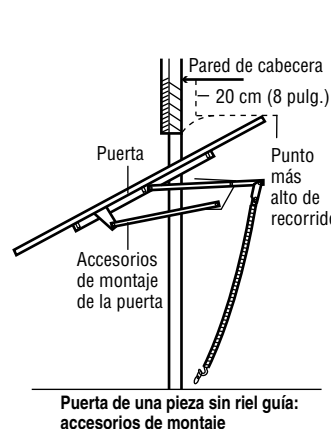
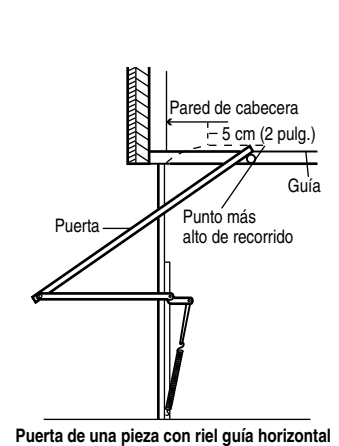
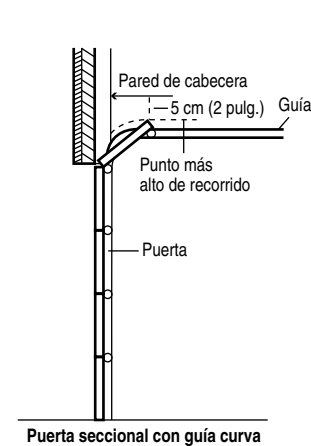
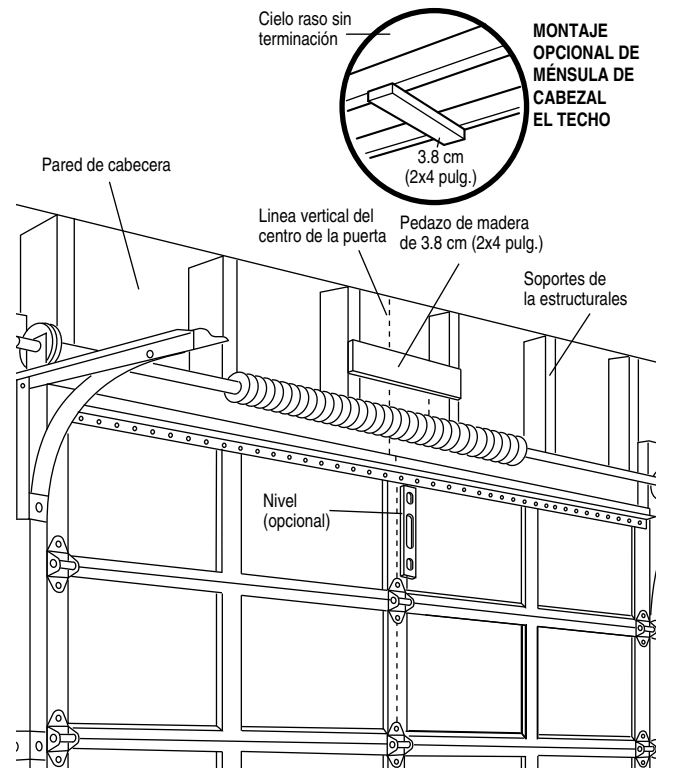
Se puede fijar el soporte del cabezal dentro de una distancia de 1.22 m (4 pies) a la izquierda o a la derecha del centro de la puerta, solamente si estorba un resorte de torsión o la placa central de soporte. También se puede fijar al cielo raso (ver página 13) si el espacio disponible fuera insuficiente. (Asimismo, se puede instalar en forma invertida sobre la pared si fuese necesario. Esto le otorgará aproximadamente 1 cm (1/2 de pulg.) más de espacio.)

Si necesita instalar la ménsula del cabezal en un tirante de madera de 3.8 cm (2x4 pulg.) (ya sea en la pared o en el cielo raso), fije el tirante firmemente a soportes estructurales usando tirafondos, tal como se indica aquí y en la página 13.

3. Abra la puerta hasta el punto más alto de su recorrido, tal como se muestra. Marque una línea horizontal en la pared, a las siguientes distancias sobre el punto más alto del recorrido de la puerta:
 - A 5 cm (2 pulg.) sobre el punto más alto de una puerta seccional o puerta de una sola pieza con guías.
 - A 20 cm (8 pulg.) sobre el punto más alto de una de una sola pieza sin guías.

A esta altura, el extremo superior de la puerta tendrá suficiente espacio para su recorrido.

NOTA: Si la distancia total supera la altura disponible de el garaje, use la altura máxima posible o consulte la página 13 para obtener información sobre la instalación en el cielo raso.



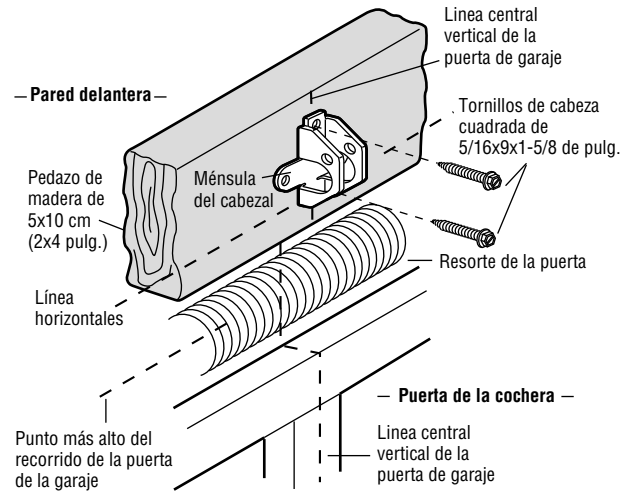
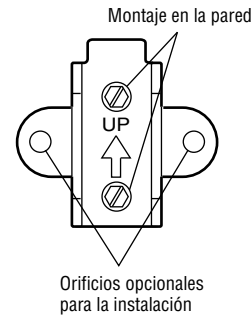
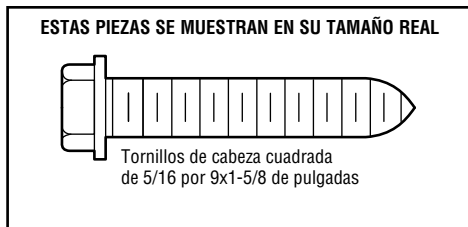
INSTALACIÓN, PASO 2

Instale la ménsula del cabezal

La ménsula del cabezal se puede fijar a la pared justo por encima de la puerta de la cochera o en el cielo raso. Siga las instrucciones que sean más adecuadas para su cochera. **No instale la ménsula del cabezal en un muro falso. Si va a fijar la ménsula del cabezal a ladrillo o mampostería, asegúrese de utilizar sujetadores de cemento (no se incluyen).**

INSTALACIÓN DE LA MÉNSULA DEL CABEZAL EN LA PARED DELANTERA

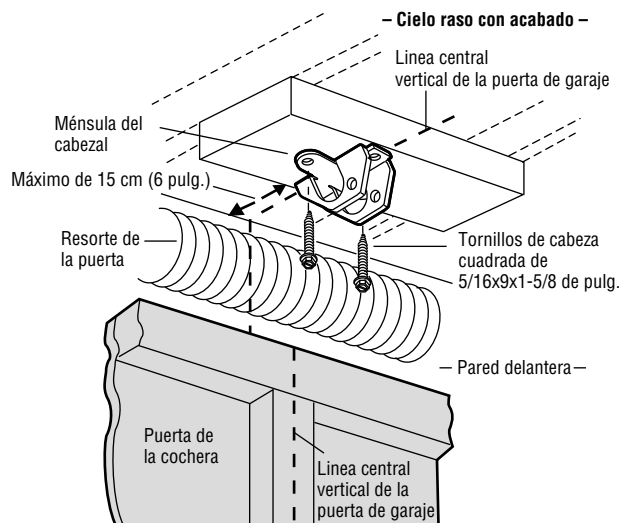
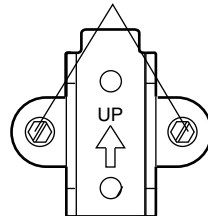
- Coloque la ménsula sobre la línea central vertical con el borde inferior sobre la línea horizontal, como se muestra en la ilustración (con la flecha de la ménsula apuntando hacia el techo).
- Marque los orificios de la ménsula que van en línea vertical. Taladre los orificios con una broca de 3/16 de pulgada y sujete la ménsula al soporte de la estructura con la tornillería que se incluye.



INSTALACIÓN DE LA MÉNSULA DEL CABEZAL EN EL CIELO RASO

- Extienda la línea central vertical sobre el cielo raso como se muestra en la ilustración.
- Coloque la ménsula en el centro de la línea a no más de 15 cm (6 pulg.) de la pared. Cerciórese de que la flecha de la ménsula apunte hacia el lado opuesto de la pared. La ménsula puede ser instalada pegada al cielo raso cuando el espacio es muy reducido.
- Marque dónde va a taladrar los orificios laterales. Taladre los orificios con una broca de 3/16 de pulgada y fije la ménsula firmemente al soporte de la estructura con la tornillería que se incluye.

Orificios para la instalación en el cielo raso



INSTALACIÓN PASO 3

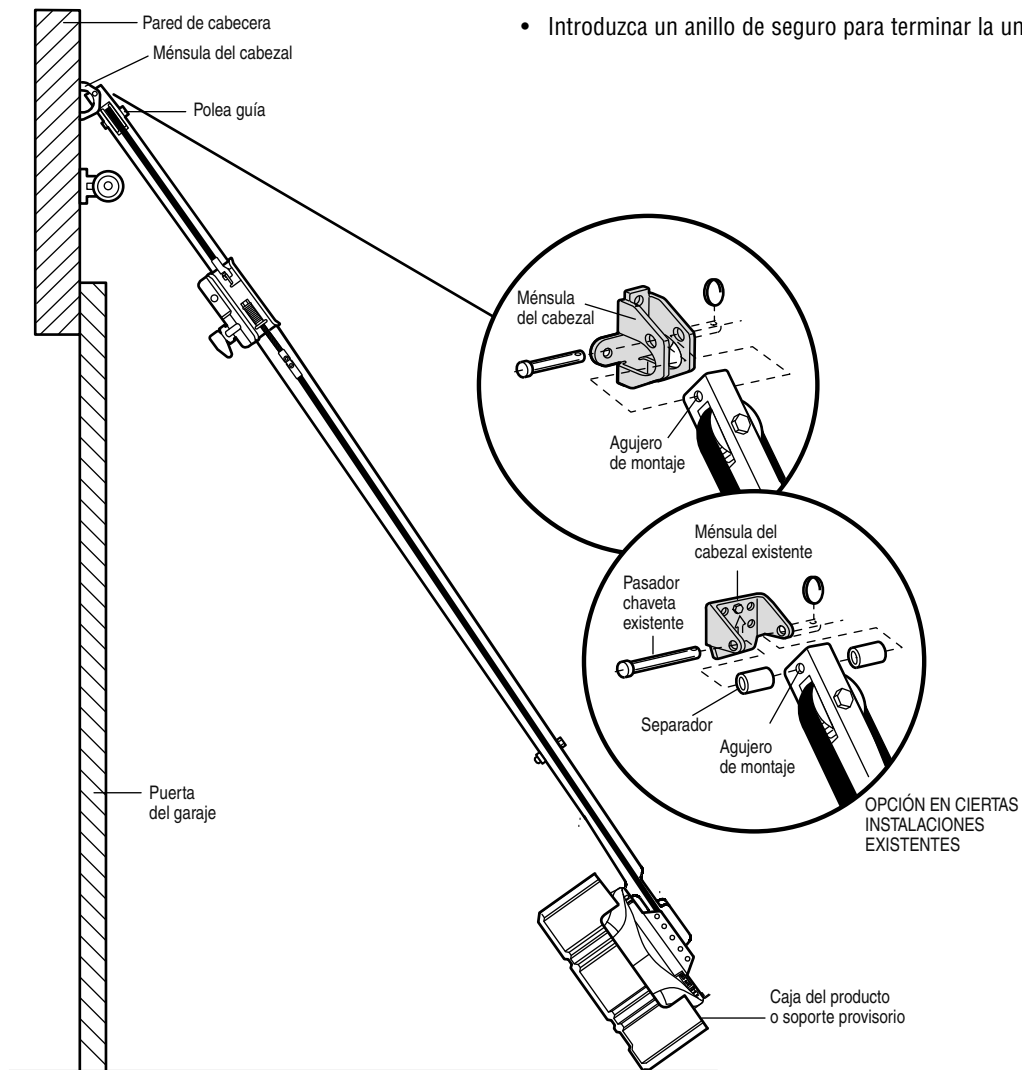
Colocación del riel en la ménsula del cabezal

NOTA: (Opcional) Con algunas instalaciones anteriores puede reutilizar la antigua ménsula del cabezal con los dos espaciadores de plástico que se incluyen en la bolsa de componentes. Coloque los espaciadores en el interior de la ménsula, a cada lado del riel, tal y como se muestra en la ilustración.

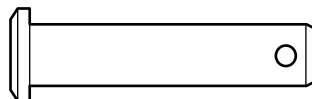
- Coloque el abre-puertas sobre el piso, bajo la ménsula instalada. Use el material del empaque como base para protegerlo.

NOTA: Si el resorte de la puerta estuviera interfiriendo, va a necesitar ayuda. Otra persona tendrá que sostener el abre-puertas firmemente sobre un soporte provisorio hasta que el riel pase el resorte.

- Coloque la ménsula del riel contra la ménsula del cabezal.
- Proceda a alinear los agujeros de las ménsulas y únalas con una chaveta tal se muestra.
- Introduzca un anillo de seguro para terminar la unión.



ESTAS PIEZAS SE MUESTRAN EN SU TAMAÑO REAL



Pasador chaveta de 5/16x1-1/2 de pulg.



Anillo de seguro

INSTALACIÓN, PASO 4

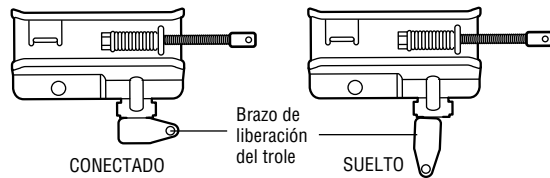
Coloque el abridor en posición

Siga las instrucciones correspondientes al tipo de puerta de su cochera, como se muestra en la ilustración.

PUERTA SECCIONAL O PUERTA DE UNA SOLA PIEZA CON CARRIL

Un pedazo de madera de 5x10 cm (2x4 pulg.) le será de ayuda al determinar la distancia ideal entre la puerta y el riel.

- Retire la espuma de embalaje.
- Ponga el abridor sobre la escalera; si la escalera no es lo suficientemente alta, va a necesitar ayuda.
- Abra completamente la puerta y coloque el pedazo de madera de 5x10 cm (2x4 pulg.) en la sección superior, de manera que quede debajo del riel.
- Si el panel superior golpea el trole al levantar la puerta, tire hacia abajo el brazo de liberación del trole para desconectar las secciones interna y externa del mismo. Deslice el trole externo hacia el motor. El trole puede permanecer desconectado hasta el final del Paso 12 de la sección de Instalación.



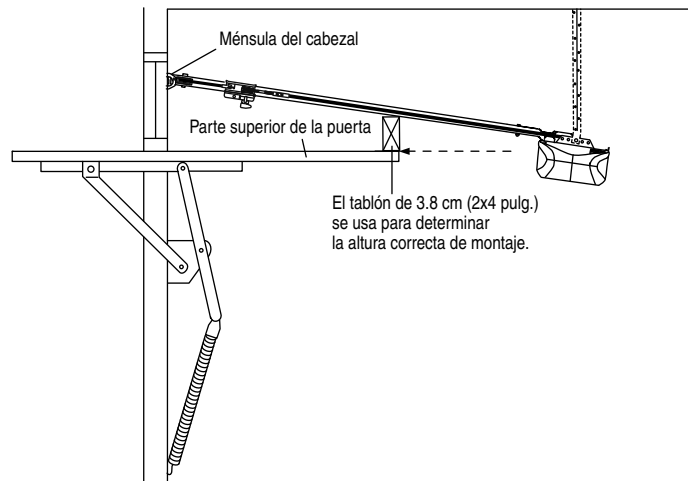
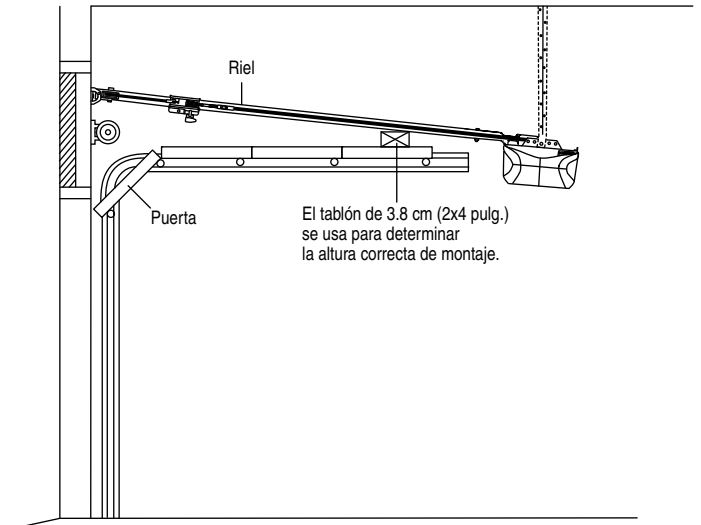
PUERTA DE UNA SOLA PIEZA SIN CARRIL

Coloque un pedazo de madera de 5x10 cm (2x4 pulg.) sobre su lado de ayuda al determinar la distancia ideal entre la puerta y el riel.

- Retire la espuma de embalaje.
- Ponga el abridor sobre la escalera; si la escalera no es lo suficientemente alta, va a necesitar ayuda.
- Abra completamente la puerta y coloque un pedazo de madera de 5x10 cm (2x4 pulg.) sobre su lado en la sección superior, de manera que quede debajo del riel.
- La parte superior de la puerta debe estar alineada con la parte superior de la unidad del motor. No instale el abridor a más de 10 cm (4 pulg.) por encima de este punto.

PRECAUCIÓN

Para evitar que la puerta del garaje sufra daños, apoye el riel del abre-puertas sobre un tirante de madera de 3.8 cm (2x4 pulg.) colocado sobre la parte superior de la puerta.



INSTALACIÓN, PASO 5

Cuelgue el abridor

Aquí se muestran tres ejemplos distintos para la instalación; sin embargo, es posible que su cochera no concuerde con ninguno de ellos. Las ménsulas de soporte deben estar en ángulo (Figura 1), para que proporcionen un soporte rígido. En caso de tener un cielo raso acabado (Figura 2 y Figura 3), instale una ménsula de metal resistente en algún soporte de la estructura antes de instalar el abridor. No se incluye esta ménsula ni la tornillería.

1. Mida la distancia desde cada lado de la unidad del motor hasta el soporte de la estructura.
2. Corte las dos partes de las ménsulas colgantes a la medida adecuada.
3. Taladre los orificios de 3/16 de pulgada en los soportes de la estructura.
4. Fije un extremo de cada ménsula al soporte con tornillos de cabeza cuadrada de 5/16 -18x1-7/8 de pulg.
5. Fije el abridor a las ménsulas colgantes con pernos hexagonales de 5/16 -18x7/8 de pulg., y sus tuercas y arandelas correspondientes.
6. Verifique que el abridor esté centrado sobre la puerta (o alineado con la ménsula del cabezal, si la ménsula no está centrada sobre la puerta).
7. Quite el pedazo de madera de 5x10 cm (2x4 pulg.). Haga funcionar la puerta manualmente. Si la puerta golpea el riel, suba la ménsula del cabezal.

NOTA: NO conecte el abridor a la fuente de energía eléctrica en este momento.

⚠ ADVERTENCIA

Para evitar la posibilidad de una LESIÓN GRAVE si se cayera accidentalmente el abre-puertas, fíjelo FIRMEMENTE a soportes estructurales del garaje. Se DEBEN usar sujetadores para concreto si alguno de los soportes se va a instalar en mampostería.

Figura 1

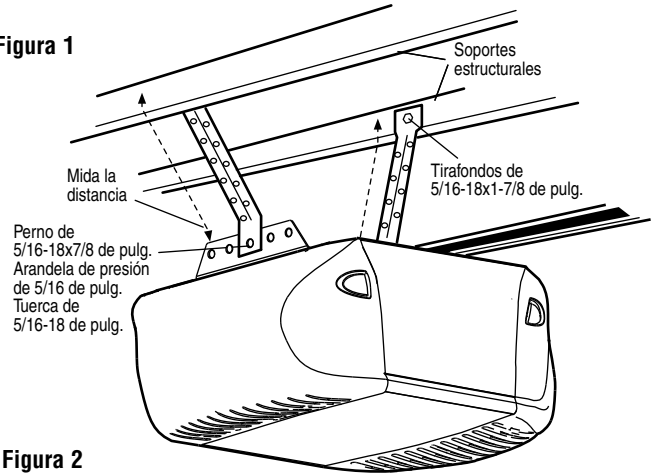


Figura 2

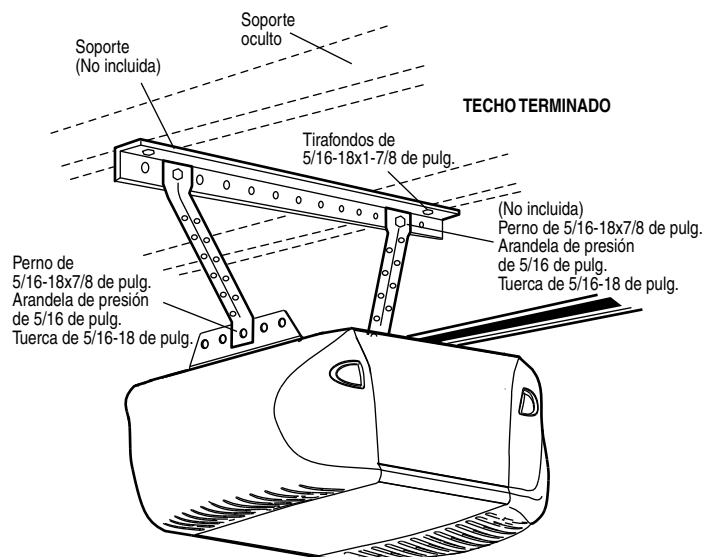
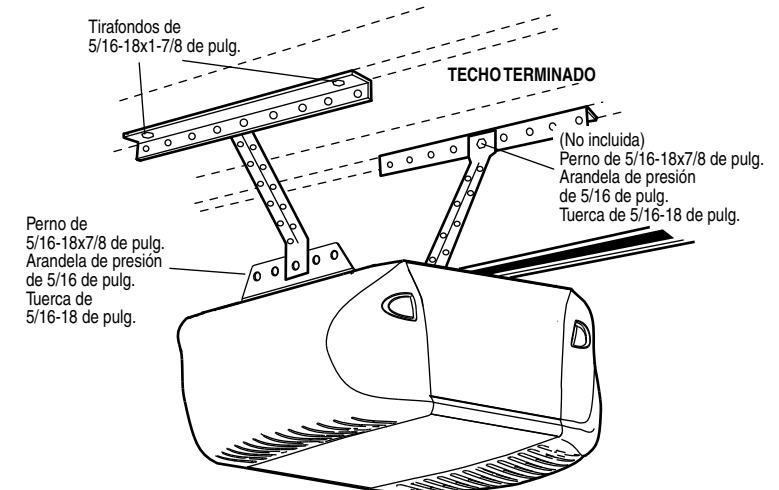
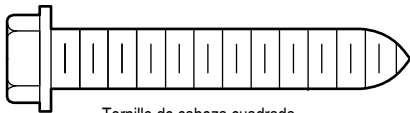


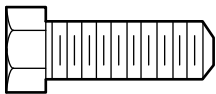
Figura 3



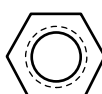
ESTAS PIEZAS SE MUESTRAN EN SU TAMAÑO REAL



Tornillo de cabeza cuadrada de 5/16-18x1-7/8 de pulg.



Perno hexagonal de 5/16-18x7/8 de pulg.



Tuerca de 5/16 de pulg.-18



Arandela de 5/16 de pulg.

INSTALACIÓN, PASO 6

Instale la control de la puerta

Ubique la control de la puerta de manera que quede a la vista desde la puerta y a una altura mínima de 1.5 m (5 pies) donde los niños pequeños no lo puedan alcanzar y lejos de las partes móviles de la puerta y de la tornillería. Si se va a instalar en un muro falso, taladre dos orificios de 5/32 de pulg. y use los sujetadores que se incluyen. Para una instalación precableada, (por ejemplo, en una casa en construcción) los modelos de control se pueden instalar en una caja múltiple estándar (Figura 2).

NOTA: La gama de temperaturas de funcionamiento de la control de la puerta está comprendida entre -20° C (-4° F) y 50° C (122° F). La velocidad de desplazamiento de la pantalla es menor a temperaturas inferiores aunque la control de puerta siga pudiendo funcionar en su totalidad.

PRECAUCIÓN: La exposición continua de la control de la puerta a temperaturas inferiores a -30° C (-22° F) puede dañar la pantalla LCD.

NOTA ESPECIAL: Se puede conectar solamente el Smart Control Panel® a cada abridor de la puerta de garaje. Si se desea controles de pared adicionales para operar el mismo abridor de la puerta de garaje, se recomienda usar el control de la puerta sin cables del modelo 41A6345-1 como una control de la puerta secundaria.

1. Pele 11 mm (7/16 de pulg.) del extremo del cable de campana y conéctelo a las terminales de tornillo correspondientes al color del cable en la parte posterior de la unidad de control de la puerta; blanco a W (2) y blanco y rojo a R (1).

2. Con un destornillador abra la tapa por el costado. Sujete con un tornillo autorroscante de 6AB por 1-1/4 pulgadas (instalación en muro falso) o con un tornillo para metales de 6-32 por 1 pulgadas (dentro de la caja múltiple) como se indica a continuación:

- Instale el tornillo de la parte inferior de manera que sobresalga por lo menos 3 mm (1/8 de pulg.) de la pared.
- Coloque la parte inferior de la unidad de control de la puerta sobre la cabeza del tornillo y deslícelo para sujetarlo, vuelva a apretar el tornillo para un ajuste firme.
- Taladre y coloque el tornillo de la parte superior con precaución de no romper la cubierta plástica de la unidad. **NO apriete en exceso.**
- Inserte las lengüetas superiores y cierre la cubierta.

3. **(Únicamente para las instalaciones estándar)** Corra el cable de campana al motor a lo largo de la pared y el techo; use grapas con aislamiento en varios puntos a lo largo del cable para sujetarlo. Tenga cuidado de no perforar el cable al engraparlos, creando así un corto circuito o un circuito abierto.

4. Pele 11 mm (7/16 pulg.) del aislamiento en un extremo del cable de campana. Conecte el cable a las terminales de conexión rápida de acuerdo a su color, como sigue: el blanco al blanco y el blanco/rojo al rojo.

5. Coloque el cable de la antena como se indica.

6. Use tachuelas o grapas para sujetar permanentemente la calcomanía de advertencia sobre el riesgo de quedar atrapado; esta calcomanía debe estar en la pared y cerca del control de la puerta. La calcomanía de advertencia de la prueba de retroceso de seguridad y liberación manual debe colocarse en un punto prominente del interior de la puerta de la cochera.

NOTA: NO conecte el abridor a la energía eléctrica ni lo haga funcionar en este momento. El trole hará el recorrido hasta llegar a la posición completamente abierta, pero no regresará a la posición cerrada hasta que el rayo del sensor esté conectado y alineado debidamente.

⚠️ ADVERTENCIA

Para evitar la posibilidad de una LESIÓN GRAVE o INCLUSO LA MUERTE por electrocución:

- Desconecte TODA la corriente eléctrica y de la batería ANTES de realizar cualquier servicio o mantenimiento.
- Conecte el control SÓLO a cables de bajo voltaje de 24 VOLTIOS.

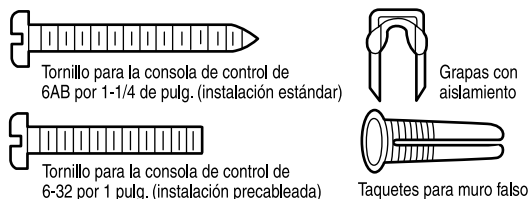
Para evitar la posibilidad de una LESIÓN GRAVE o INCLUSO LA MUERTE cuando la puerta de la cochera se está cerrando:

- Instale el control de la puerta de manera que quede a la vista desde la puerta de la cochera, fuera del alcance de los niños a una altura mínima de 1.5 m (5 pies), y alejado de las partes móviles de la puerta.
- NUNCA permita que los niños hagan funcionar o jueguen con los botones de control de la puerta ni con los transmisores de control remoto.
- Haga funcionar la puerta SÓLO si la puede ver claramente, si la puerta está debidamente ajustada, y si no no hay ninguna obstrucción en su recorrido.
- SIEMPRE tenga a la vista la puerta de la cochera hasta que esté completamente cerrada. NUNCA permita que alguien se atraviese en el recorrido de la puerta de la cochera cuando se está cerrando.

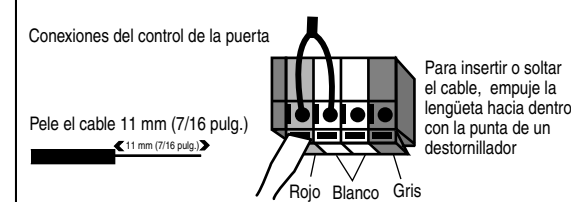
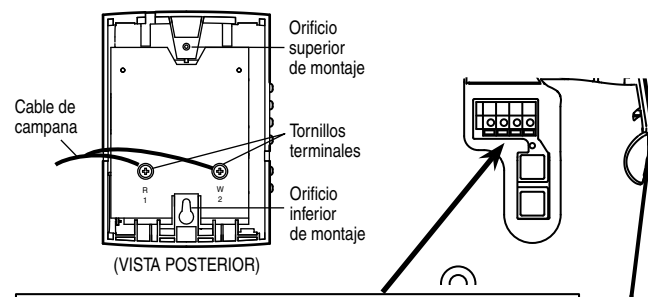
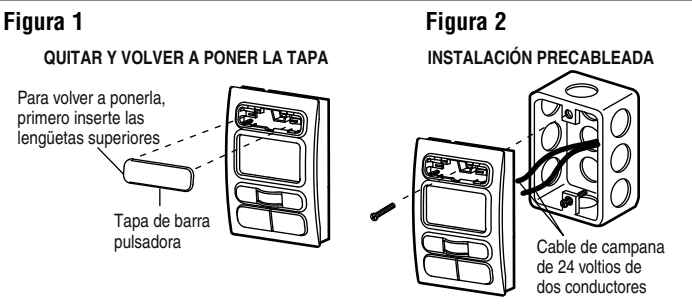
Conexiones para la Unidad de Control Exterior

Conecte a las terminales de conexión rápida: el blanco al blanco; blanco/rojo al rojo.

ESTAS PIEZAS SE MUESTRAN EN SU TAMAÑO REAL



- Figura 1 QUITAR Y VOLVER A PONER LA TAPA
- Para volver a ponerla, primero inserte las lengüetas superiores
- Tapa de barra pulsadora
- Figura 2 INSTALACIÓN PRECABLEADA
- Cable de campana de 24 voltios de dos conductores



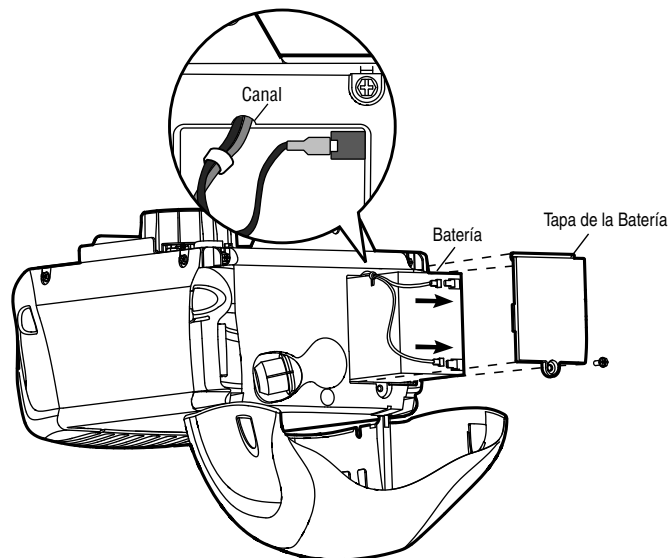
INSTALACIÓN PASO 7

Instale la reserva de batería

- Asegúrese de que la unidad de motor esté desenchufada.
- Quite la tapa de la batería de la unidad de motor usando un destornillador de cabeza Phillips.
- Introduzca parcialmente la batería en la unidad de motor con los terminales apuntando hacia afuera.
- Conecte los cables rojos (+) y negros (-) de la unidad de motor con los terminales correspondientes de la batería.
- Verificar que los cables de batería están asentado en el canal.
- Vuelva a colocar la tapa de la batería.

PRECAUCIÓN

SIEMPRE uso los guantes protectores y protección ocular cuando cambiar la batería o trabajando cerca el compartimiento de la batería.



INSTALACIÓN PASO 8

Instalación de la bombilla

- Oprima las lengüetas de liberación a ambos lados de la lente. Rote la lente suavemente hacia atrás y hacia abajo hasta que la bisagra quede en la posición totalmente abierta. No quite la lente.
- Instale bombillos de 100 vatios como máximo en cada portalámpara. Los bombillos deben ser de A19 cuello standard sólo. En cuanto se conecte la electricidad, las luces se encenderán y permanecerán encendidas por aproximadamente cuatro minutos y medio; luego las luces se apagan.
- Invierta el procedimiento para cerrar la lente.
- Para reemplazo uso los bombillos para el abridor de puerta de cochera de A19, estándar.

NOTA: Sólo utilice bombillos estándar. El uso de bombillos de cuello corto o especiales puede sobrecalentar el panel o la portalámpara.

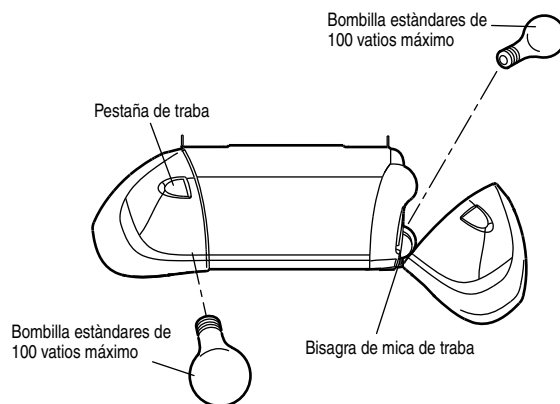
PRECAUCIÓN

Para evitar un posible SOBRECALENTAMIENTO del portabombillas:

- NO utilice bombillas de cuello corto ni de tipo especial.
- NO utilice bombillas halógenas. Utilice SÓLO bombillas incandescentes.

Para evitar daño al abridor:

- NO utilice bombillas más grande que 100W.
- SÓLO utilice bombillas de tamaño A19.



INSTALACIÓN, PASO 9

Instale la manija y la cuerda de emergencia

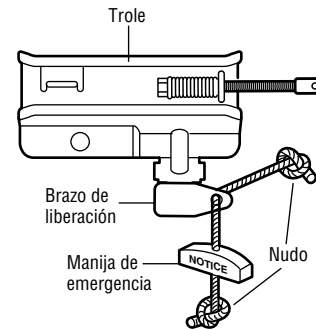
- Pase un extremo de la cuerda a través del orificio que se encuentra en la parte superior de la manija roja de manera que la palabra “NOTICE” (aviso) sea legible, como se indica en la ilustración. Asegúrela con un nudo por lo menos a 2.5 cm (1 pulg.) del extremo de la cuerda para evitar que se resbale.
- Pase el otro extremo de la cuerda a través del orificio del brazo de liberación del trole exterior.
- Ajuste el largo de la cuerda de tal manera que la manija quede a 1.83 m (6 pies) del piso. Haga un nudo para asegurarla. Para evitar que la cuerda o la manija se enganche en algo, asegúrese de que no toquen el techo de ningún vehículo.

NOTA: Si es necesario cortar la cuerda, queme con un cerillo o un encendedor el extremo que cortó para sellarla y evitar que se desenrede.

ADVERTENCIA

Para evitar la posibilidad de una LESIÓN GRAVE o INCLUSO LA MUERTE si la puerta de la cochera se cae:

- De ser posible, use la manija de emergencia para soltar el trole SÓLO cuando la puerta de la cochera esté CERRADA. Si los resortes está débiles o rotos, o bien si la puerta está desbalanceada, la puerta abierta podría caerse rápida y/o inesperadamente.
- NUNCA use la manija de emergencia a menos que la entrada a la cochera esté libre de obstrucciones y no haya ninguna persona presente.
- NUNCA use la manija para tirar de la puerta para abrirla o cerrarla. Si el nudo de la cuerda se suelta, usted podría caerse.

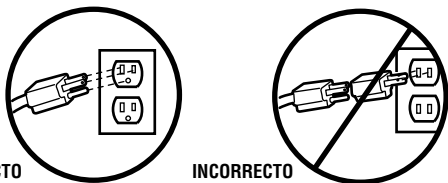


INSTALACIÓN PASO 10

Requisitos para la instalación eléctrica

Para evitar problemas con la instalación, no opere el abre-puertas de garaje ahora.

Para reducir el riesgo de electrocución, el abre-puertas de garaje viene con enchufe con pata de conexión a tierra. Este enchufe sólo se puede conectar a un tomacorriente con conexión de puesta a tierra. Si el enchufe no entra en el tomacorriente de su instalación, contrate un electricista profesional para que instale el tomacorriente adecuado.



CORRECTO

INCORRECTO

Si la reglamentación municipal exige que su abre-puertas tenga cableado permanente, siga los siguientes pasos.

Para efectuar una conexión permanente usando la entrada superior de 7/8 de pulg. en la parte superior del motor:

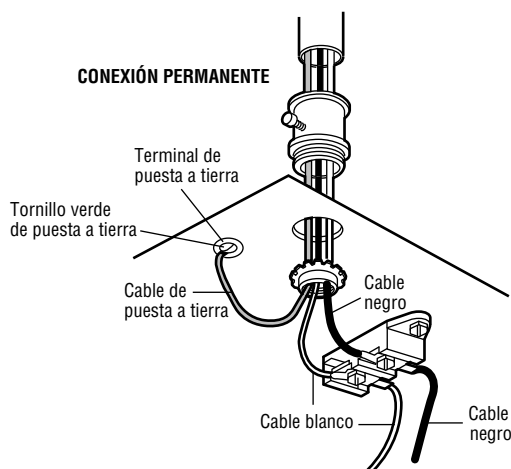
- Quite los tornillos de la tapa del motor y desmonte la tapa.
- Quite el cordón de 3 patas.
- Conecte el cable negro de línea al tornillo del terminal de bronce; el cable blanco (neutro) al tornillo del terminal plateado, y el cable de tierra al tornillo verde. **El abre-puertas debe tener conexión a tierra.**
- Vuelva a colocar la tapa.

Para evitar problemas con la instalación, no opere el abre-puertas de garaje por ahora.

⚠ ADVERTENCIA

Para evitar la posibilidad de una LESIÓN GRAVE o INCLUSO LA MUERTE por electrocución o incendio:

- Asegúrese de que el abre-puertas no esté conectado a la energía eléctrica y desconecte la alimentación eléctrica al circuito ANTES de quitar la cubierta para establecer la conexión del cableado permanente.
- Tanto la instalación como el cableado de la puerta de garaje DEBEN cumplir con TODOS los códigos locales eléctricos y de construcción.
- NUNCA use una extensión ni un adaptador de dos hilos, tampoco modifique la clavija para poder enchufarla. Asegúrese de que el abre-puertas esté puesto a tierra.



INSTALACIÓN PASO 11

Instalación del Protector System®

El sensor para reversa de seguridad se debe conectar y alinear antes de que se haga la puerta por primera vez.

INFORMACIÓN IMPORTANTE SOBRE EL SENSOR DE SEGURIDAD DE REVERSA

Bajo condiciones normales de instalación, conexión y alineación, el sensor detectará cualquier obstáculo que interrumpa o interfiera con el haz electrónico. El emisor, que tiene una luz indicadora amarilla, transmite un haz invisible de luz hacia el receptor, que tiene una luz indicadora verde. Si hubiera una obstrucción en la trayectoria del haz de luz mientras la puerta está bajando, se invertirá la dirección del movimiento y la puerta volverá a su posición de abierta. La luz del abre-puertas destellará 10 veces para indicar el evento.

Ambas piezas del sistema se deben instalar del lado interno del garaje, con el emisor y el receptor enfrentados y alineados, a una altura no mayor de 15 cm (6 pulg.) sobre el piso. Es indistinto el lado en que se instalen (izquierdo o derecho) el emisor y el receptor, siempre y cuando el receptor nunca reciba luz solar en forma directa.

Las ménsulas de montaje están diseñadas para engancharse directamente a la guía de puertas seccionales de garajes, sin necesidad de usar otros accesorios de fijación.

⚠ ADVERTENCIA

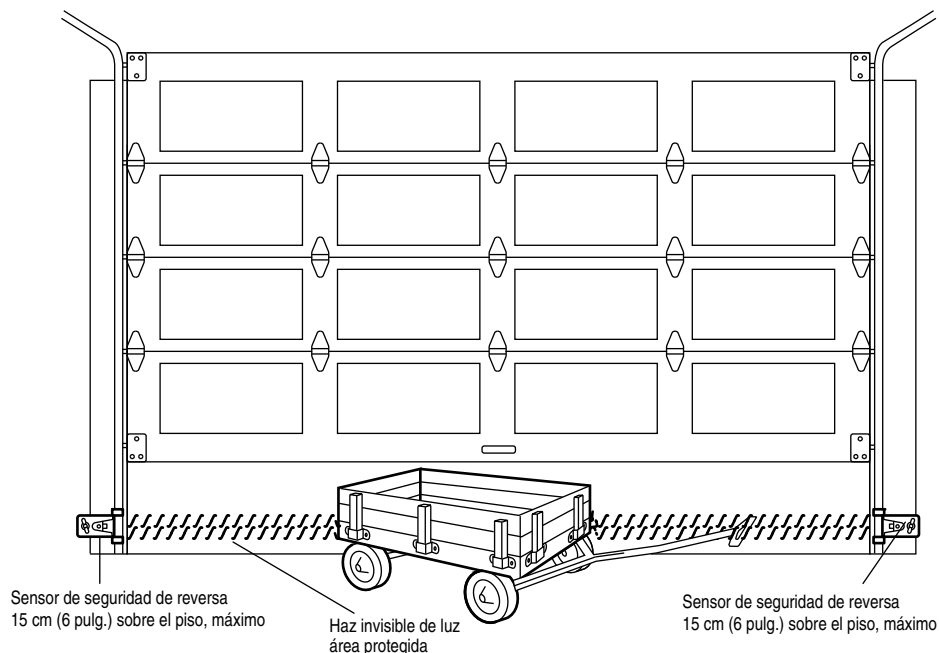
ANTES de instalar el sensor de seguridad de reversa, asegúrese de que no esté conectada la alimentación eléctrica al sistema.

Para evitar la posibilidad de un accidente GRAVE o FATAL durante el cierre de la puerta del garaje:

- Preste atención a la conexión y alineación del sensor de reversa de seguridad. Este sistema de seguridad NO DEBE quedar anulado.
- Instale el sensor de seguridad de reversa a una altura del piso que NO SEA SUPERIOR a 15 cm (6 pulg.).

Si fuera necesario montar el dispositivo en la pared, las ménsulas de montaje se deben fijar firmemente a una superficie sólida, tal como el encofrado o vigas de la pared. Si fuera necesario, se pueden comprar ménsulas de prolongación (véanse los Accesorios disponibles). Se la instalación se realiza en mampostería, es conveniente montar las unidades sobre un trozo de madera, ya que esto facilita hacer nuevos agujeros si fuera necesario reubicar las unidades.

Asegúrese de que no hayan obstrucciones ni interferencias con la trayectoria del haz. Durante el cierre de la puerta, ninguna de sus partes ni ninguno de sus accesorios y componentes debe interrumpir el haz.



Enfrentando la puerta desde el lado interno del garaje.

INSTALACIÓN DE LAS MÉNSULAS

Verifique que esté desconectada la alimentación eléctrica al abre-puertas. Proceda a instalar y alinear los sensores, directamente enfrentados, uno de cada lado de la puerta. El haz de luz no debe quedar una altura mayor de 15 cm (6 pulg.) sobre el piso. Se pueden instalar de tres maneras, a saber:

En la guía de la puerta del garaje (recomendada):

- Inserte los brazos curvos sobre el borde redondeado de cada guía, orientados hacia el lado de la puerta. Encastre la pieza sobre el costado de la guía. Debería quedar montado bien a ras del perfil de guía, con la pestaña contra el borde trasero de la guía, tal como se muestra en la Figura 1.

Si las ménsulas no quedan firmemente montadas en el perfil de la guía de la puerta, es mejor instalarlas sobre la pared.

Instalación en pared (Figuras 2 y 3):

- Coloque la ménsula contra la pared, con los brazos curvos hacia el lado de la puerta. Verifique que quede espacio suficiente para montar el sensor sin obstrucciones.
- Si fuera necesario instalar las ménsulas con más separación de la pared, se pueden usar ménsulas prolongadoras (véase accesorios) o pedazos de madera.
- Con los agujeros de la ménsula como plantilla, marque y haga dos (2) agujeros de 3/16 de pulg. en la pared, a cada lado de la puerta. Recuerde que la altura máxima de montaje es de 15 cm (6 pulg.) sobre el piso.
- Fije las ménsulas a la pared con tornillos tirafondos (no incluidos).
- Si se utilizaran ménsulas prolongadoras o pedazo de madera, las ménsulas deben quedar de ambos lados a la misma distancia de separación de la superficie de montaje. Compruebe que no hayan accesorios de la puerta que puedan interferir con el funcionamiento del sensor.

Instalación en el piso (Figura 4):

- Coloque las ménsulas a la altura deseada sobre tacos de madera o ménsulas prolongadoras (véase Accesorios), recordando que el haz de luz no debe quedar a una altura mayor de 15 cm (6 pulg.) sobre el piso.
- Instale ménsulas a la misma distancia de la pared, de ambos lados. Compruebe que no hayan accesorios de la puerta que puedan interferir con el funcionamiento del sensor.
- Fije las unidades al piso con tarugos para concreto, tal como se muestra en la ilustración.

Figura 1 MONTAJE DE GUÍA DE PUERTA (LADO DERECHO)

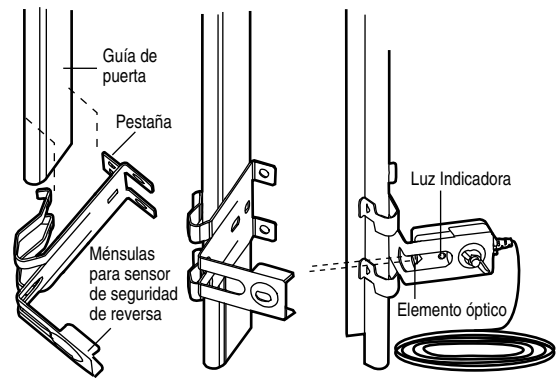


Figura 2 MONTAJE PARED (LADO DERECHO)

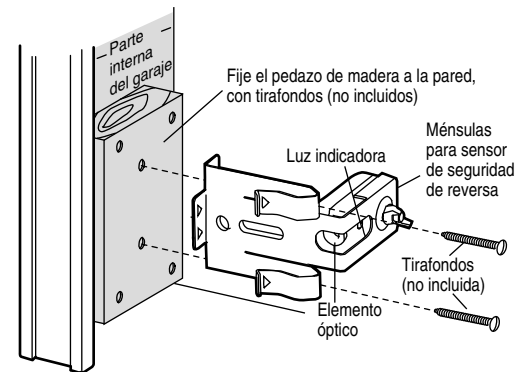


Figura 3 MONTAJE PARED (LADO DERECHO)

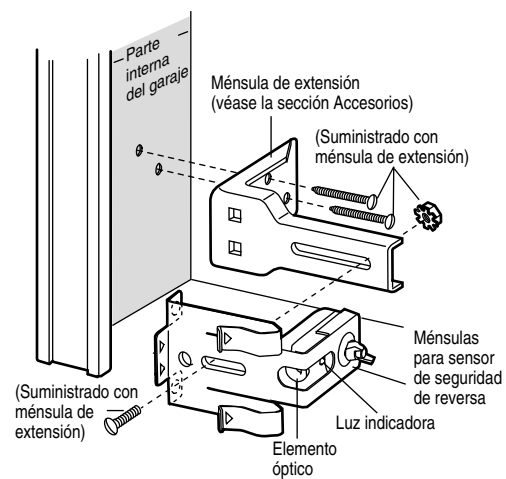
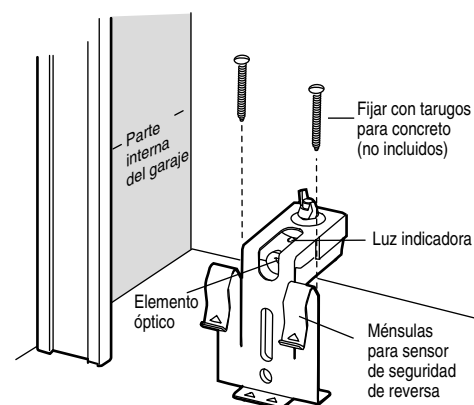


Figura 4 MONTAJE EN PISO (LADO DERECHO)



MONTAJE Y CONEXIONES DE LOS SENSOR DE SEGURIDAD DE REVERSA

- Introduzca la cabeza de un perno de coche de 1/4 de pulg.-20x1/2 de pulg. en la ranura correspondiente de cada sensor. Ajuste los sensores a las ménsulas con tuercas mariposa, con los lentes enfrentados, uno de cada lado de la puerta. Asegúrese de el lente del sensor no quede tapado por la ménsula (Figura 5).
- Ajuste a mano las tuercas mariposa.
- Instale los cables desde ambos sensores hasta el abre-puertas. Utilice grampas con aislación para fijar los cables a la pared y al techo.
- Pele 11 mm (7/16 de pulg.) de aislación en cada extremo de los cables. Separa el cable blanco del blanco/negro para conectarlos a los terminales de conexión rápida del abre-puertas. Empalme entre sí los cables del mismo color. Inserte los cables en los orificios de los terminales: el blanco al blanco y el blanco/negro al gris (Figura 6).

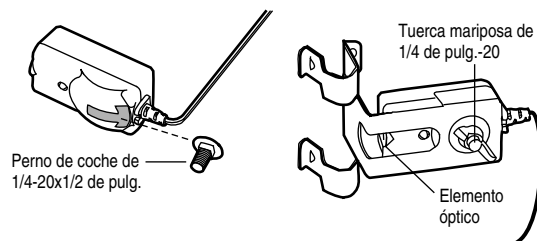
ALINEACIÓN DE LOS SENSOR DE SEGURIDAD DE REVERSA

- Enchufe el abre-puertas. Si las conexiones y la alineación se han efectuado correctamente, las luces indicadoras del *emisor* y del *receptor* quedarán *encendidas permanentemente*.

La luz indicadora ambar del *emisor* se encenderá independientemente de la alineación o de la presencia de obstrucciones. Si la luz indicadora verde del *receptor* no se encendiera o se encendiera débilmente o inestablemente (y no hubieran obstrucciones en la trayectoria del haz de luz), es necesario volver a alinear los sensores.

- Afloje la tuerca mariposa del *emisor* y vuelva a ajustar la posición del mismo orientándolo directamente al receptor. Vuelva a fijarlo en la nueva posición.
- Afloje la tuerca mariposa del *receptor* y ajuste su posición hasta que reciba bien el haz de luz. Cuando la luz verde quede *encendida establemente*, ajuste nuevamente la tuerca mariposa.

Figura 5

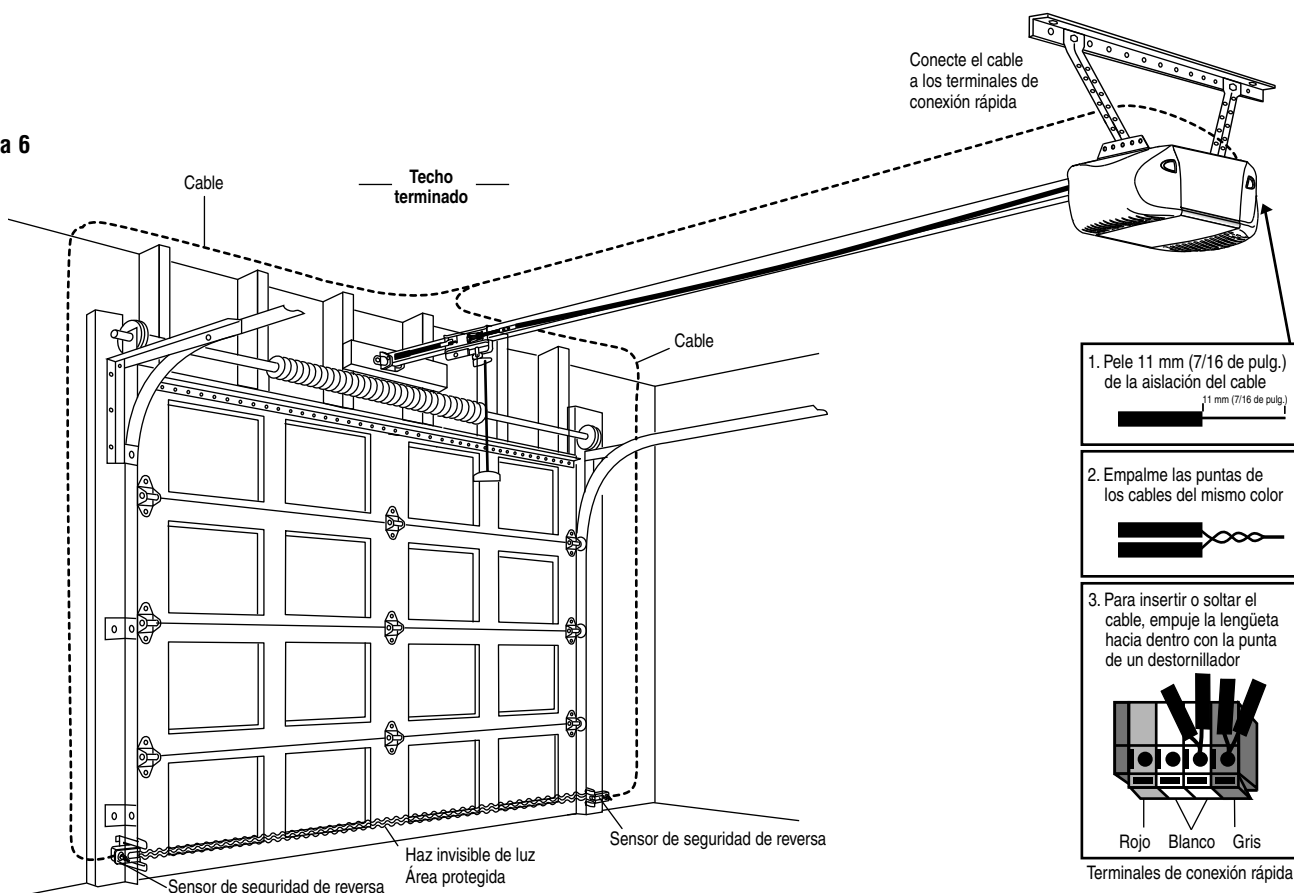


DIAGNÓSTICO DE PROBLEMAS CON LOS SENSOR DE SEGURIDAD DE REVERSA

1. Si la luz indicadora del *emisor* no quedara *encendida permanentemente*:
 - Verifique que esté conectada la alimentación eléctrica al sistema.
 - Podría haber un cortocircuito en el cable blanco o blanco/negro. Esto podría detectarse en los lugares adonde hayan grampas de fijación del cable o en las conexiones al abre-puertas.
 - Las conexiones entre los sensores y el abre-puertas son incorrectas.
 - Podría haber un cable cortado.
2. Si la luz del *emisor* se *enciende* normalmente pero no la luz del *receptor*:
 - Verifique la alineación de ambas unidades.
 - Verifique que no haya un cable cortado en el circuito del *receptor*.
3. Si la luz indicadora del *receptor* se encendiera débilmente, vuelva a linear correctamente las unidades.

NOTA: Si hay una obstrucción en la trayectoria del haz de luz o el el haz no está correctamente alineado y la puerta se está cerrando, se invertirá la dirección del movimiento de la misma. Si la puerta estuviera abierta cuando esto sucede, no se cerrará. En tal caso, la luz del abre-puertas destellará 10 veces. Véase la página 21.

Figura 6



INSTALACIÓN PASO 12

Fije la ménsula de la puerta

Siga las instrucciones que correspondan al tipo de puerta que usted tenga, según las ilustraciones siguientes o de la próxima página.

Si usa un refuerzo horizontal, debe ser lo suficientemente largo para poder fijarlo a dos o tres soportes verticales. Si usa un refuerzo vertical, debe cubrir la altura del panel superior de la puerta.

En la Figura 1 se muestra un tramo de hierro en ángulo como refuerzo horizontal. Como refuerzo vertical, se usan dos hierros en ángulo para formar un perfil en U. La mejor alternativa sería consultar con el fabricante de la puerta para comprar directamente un juego de refuerzo estructural para instalación del mecanismo de apertura.

NOTA: Hay juegos prefabricados de refuerzo que permiten la conexión directa de la chaveta y del brazo de la puerta. En este caso, no necesitará instalar la ménsula de la puerta; continúe con el Paso 13.

PUERTAS SECCIONALES

1. Centre la ménsula de la puerta en la línea vertical de centro marcada anteriormente para la instalación de la ménsula de cabecera. Asegúrese de que el lado marcado con la inscripción "UP" en el interior de la ménsula quede hacia arriba.
2. El borde superior de la ménsula debe quedar a una distancia de 5 a 10 cm (2 a 4 pulg.) por debajo del borde superior de la puerta, o directamente bajo un soporte transversal en la parte superior de la puerta.
3. Haga los agujeros y proceda con las siguientes instrucciones de instalación, según el tipo de puerta:

Puertas metálicas o livianas con refuerzo vertical de hierro en ángulo entre la nervadura de soporte del panel de la puerta y la ménsula de la puerta:

- Haga los agujeros de 3/16 de pulg. para fijar la ménsula. Fije la ménsula de la puerta con dos tornillos autorroscantes de 1/4-14x5/8 de pulg. (Figura 2A).
- Como alternativa puede usar dos pernos de 5/16 de pulg. con arandelas de presión y tuercas (no incluidos) (Figura 2B).

Puertas metálicas, con aislación o livianas, reforzadas de fábrica:

- Haga los agujeros de 3/16 de pulg. para fijar la ménsula. Fije la ménsula de la puerta con tornillos autorroscantes (Figura 3).

Puertas de madera:

- Puede usar los agujeros laterales o superior e inferior de la ménsula. Haga los agujeros correspondientes de 5/16 de pulg. en la puerta y fije la ménsula con tornillos de 5/16x2 de pulg., arandelas de presión y tuercas (no incluidos) (Figura 4).

NOTA: Los tornillos autorroscantes de 1/4-14x5/8 de pulg. no son aptos para puertas de madera.



PRECAUCIÓN

En puertas de garaje de fibra de vidrio, aluminio o acero liviano **ES NECESARIO** colocar los refuerzos **ANTES** de instalar la ménsula de la puerta. Consulte con el fabricante de la puerta sobre juegos prefabricados de refuerzo.

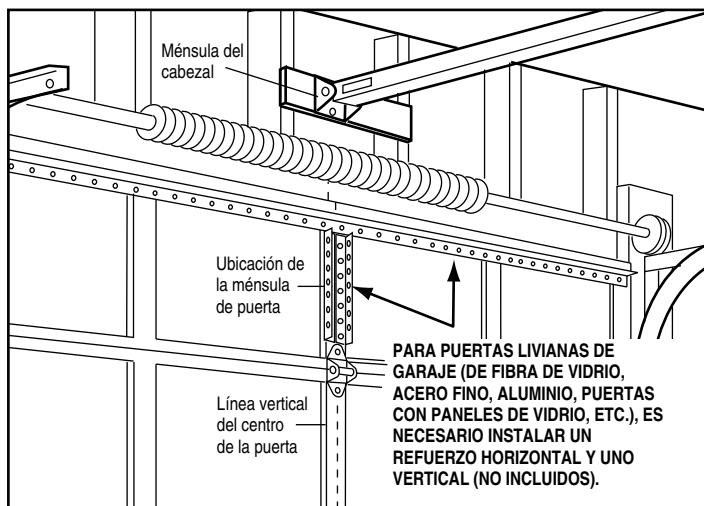


Figura 1

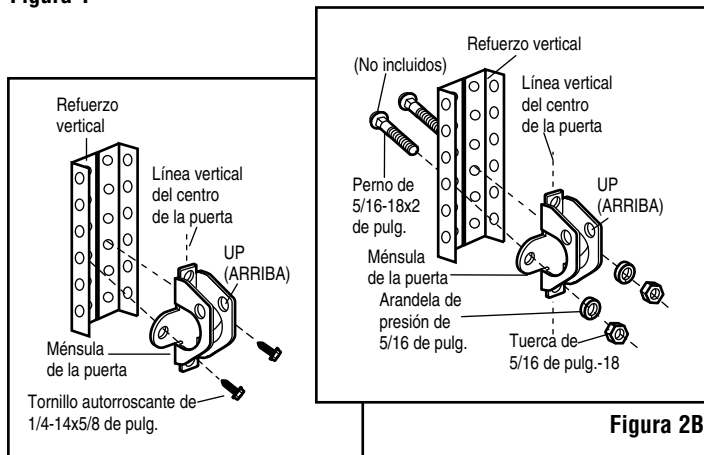


Figura 2B

Figura 2A

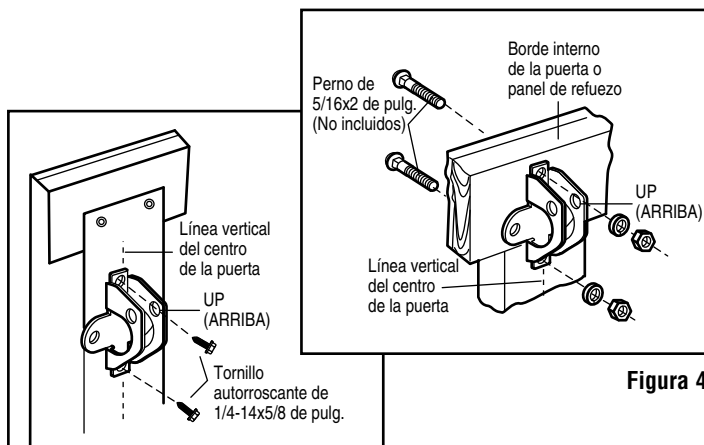


Figura 4

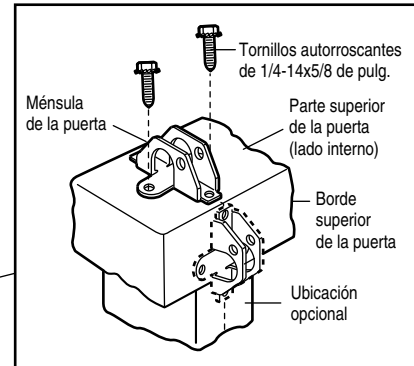
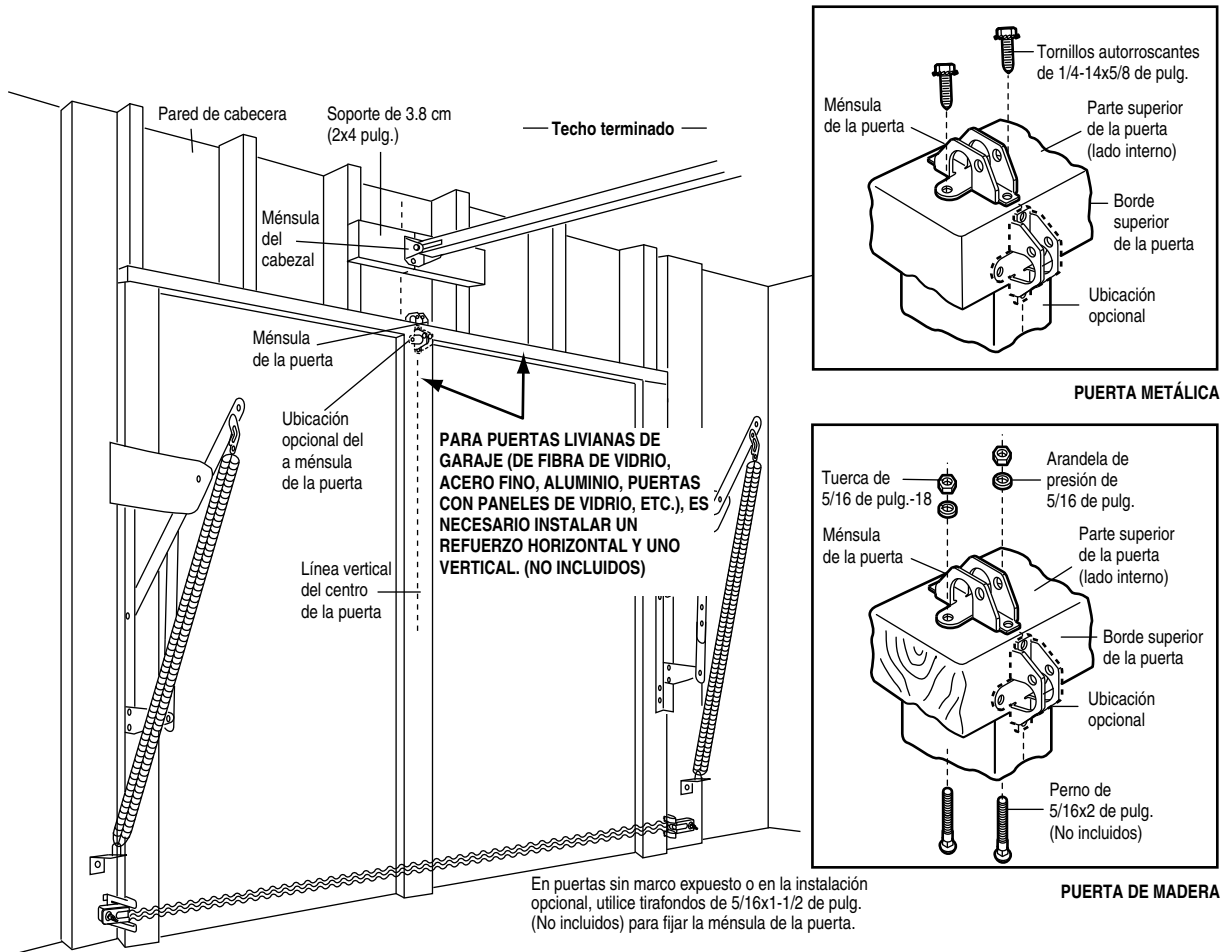
Figura 3

PUERTAS DE UNA SOLA PIEZA

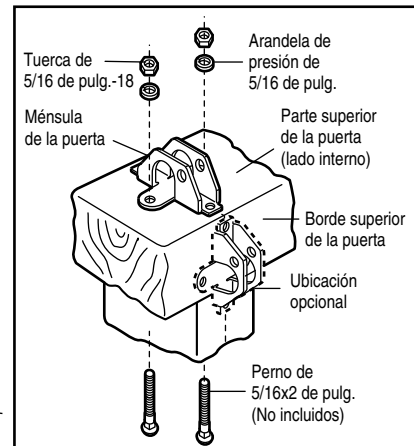
Lea y respete todas las advertencias e instrucciones respecto a los refuerzos contenidas en la página anterior, ya que son válidas también para puertas de una sola pieza.

- Centre la ménsula en la parte superior de la puerta, alineada con la ménsula del cabezal, tal se muestra en la ilustración. Marque ya sea los orificios derecho e izquierdo o superior e inferior.
- **Puertas metálicas:** Haga agujeros guía de 3/16 de pulg. y fije la ménsula con los tornillos autorroscantes de 1/4-14x5/8 de pulg. (incluidos).
- **Puertas de madera:** Haga los agujeros de 5/16 de pulg. y fije la ménsula con tornillos de 5/16x2 de pulg., tuercas y arandelas de presión (no incluidos), o con tirafondos de 5/16x1-1/2 de pulg. (no incluidos), según las condiciones particulares de instalación.

NOTA: La ménsula para la puerta puede ser instalada sobre el borde superior de la puerta si es necesario para su instalación en particular. Vea la ilustración de colocación opcional, señalada con la línea punteada.



PUERTA METÁLICA



PUERTA DE MADERA

INSTALACIÓN, PASO 13

Conecte el brazo de la puerta al trole

Siga las instrucciones que correspondan al tipo de puerta de cochera que usted tenga, como se muestra a continuación y en la página siguiente.

SÓLO PARA PUERTAS SECCIONALES

- Cerciórese de que la puerta de la cochera esté completamente cerrada. Tire de la manija de emergencia para desconectar el trole exterior del trole interior. Deslice el trole exterior hacia atrás (en dirección opuesta a la polea) por lo menos 20 cm (8 pulg.) como se indica en las Figuras 1, 2 y 3.

Figura 1:

- Fije la sección recta del brazo de la puerta al trole exterior usando un pasador de chaveta de 5/16x1 pulg. Asegure la conexión con el anillo sujetador.
- Fije la sección curva del brazo a la ménsula de la puerta de la misma manera, con un pasador de chaveta de 5/16 por 1-1/4 de pulg.

IMPORTANTE: El ranura en el brazo recto de la puerta DEBE voltearse del brazo curvado de la puerta (Figura 4).

Figura 2:

- Junte las dos secciones del brazo, localizando dos pares de orificios que se puedan alinear. Seleccione dos orificios que estén tan separados como sea posible para aumentar la rigidez del brazo de la puerta.

Figura 3, Opciones para alinear los orificios:

- En caso de que los orificios del brazo curvo no se puedan alinear con los orificios del brazo recto, desconecte el brazo recto y corte aproximadamente 15 cm (6 pulg.) del extremo que no tiene orificios. Vuelva a conectarlo al trole, con el extremo cortado hacia abajo, como se muestra.
- Junte las dos secciones de los brazos.
- Localice dos pares de orificios de ambas secciones que se puedan alinear y únalos con tornillos, arandelas y tuercas.

Tire de la manija de emergencia hacia el abridor en un ángulo de 45 grados, de manera que el brazo de liberación del trole esté en posición horizontal. Proceda a la sección de Ajustes, Paso 1, en la página 27. El trole volverá a estar listo automáticamente, cuando se opere el abridor.

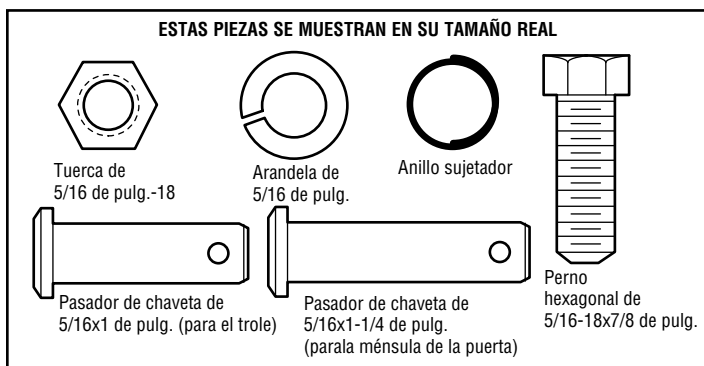


Figura 1

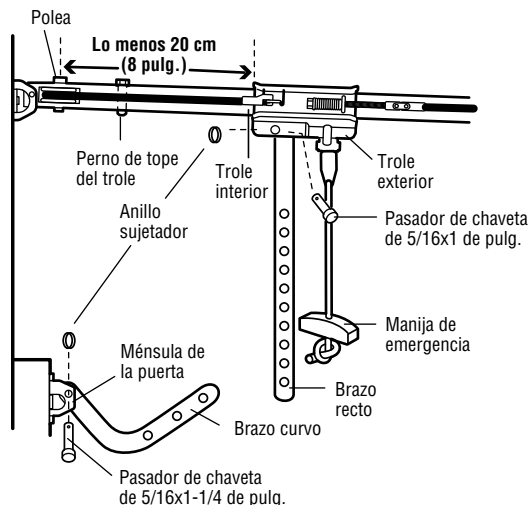


Figura 2

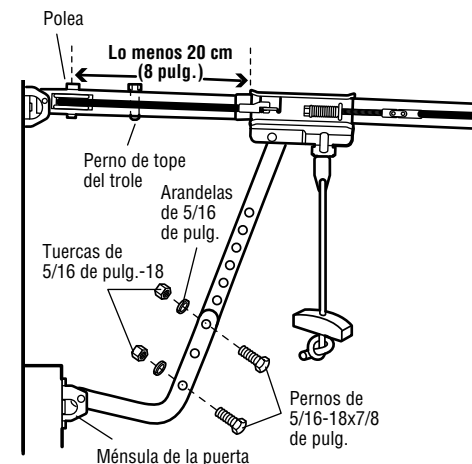


Figura 3

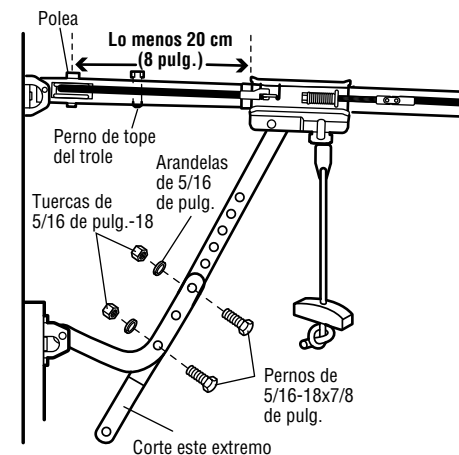
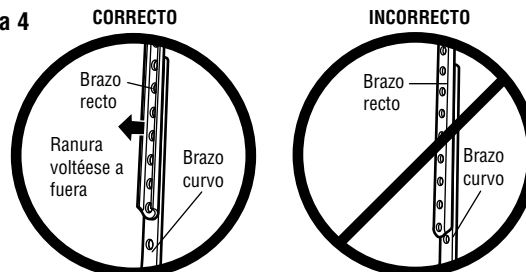


Figura 4



TODAS LAS PUERTAS DE UNA SOLA PIEZA

1. Arme el brazo de la puerta, Figura 5:

IMPORTANTE: El ranura en el brazo recto de la puerta DEBE voltearse del brazo curvado de la puerta.

- Sujete las dos secciones de los brazos de la puerta (recto y curvo) a la mayor distancia posible, de manera que dos o tres de los orificios se sobrepongan uno al otro.
- Cierre la puerta y fije la sección recta del brazo a la ménsula de la puerta con el pasador de chaveta de 5/16x1-1/4 de pulgada.
- Asegúrelos con un anillo sujetador.
- Tire hacia abajo de la manija de separación de emergencia, desconectando el trole externo del trole interno y deslice el trole externo hacia la unidad del motor.
- Conecte la sección curvada del brazo de la puerta a la puerta usando la clavija horquilla de 5/16x1-1/4 de pulg. y sujetador anular.

NOTA: Ajuste los límites en la página siguiente:

- El trole se conecta automáticamente. Si no, consultar la característica de traba del trole en la página 34.
- Al establecer el límite hacia arriba como se indica en la página siguiente, la puerta no debe tener una inclinación "hacia atrás" cuando esté totalmente abierta, como se ilustra abajo. Una ligera inclinación hacia atrás ocasionará que la puerta se pandee innecesariamente y/o que la operación no sea uniforme al abrir o cerrar la puerta desde la posición totalmente abierta.

Figura 5

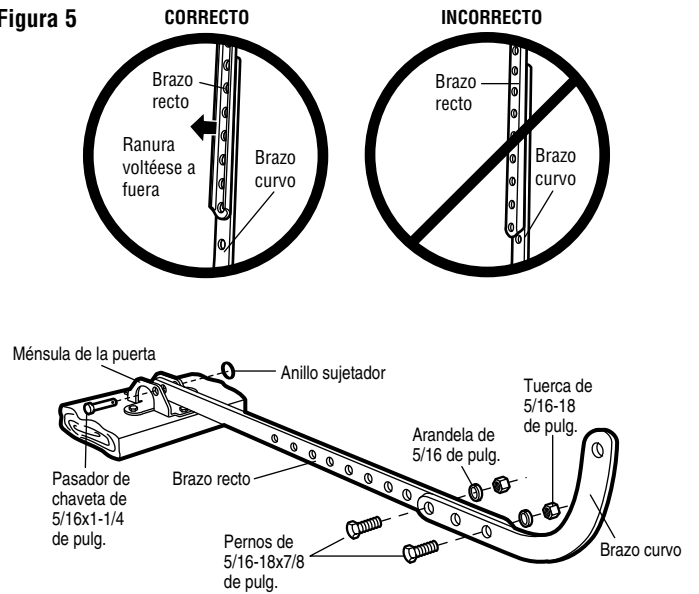
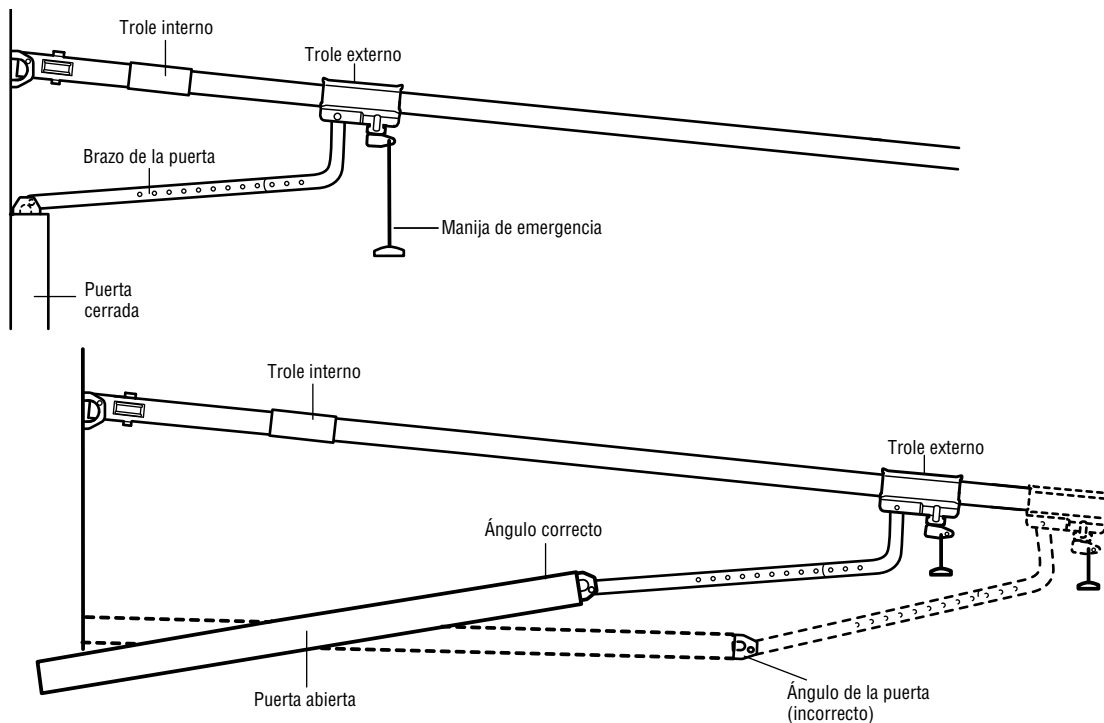


Figura 6



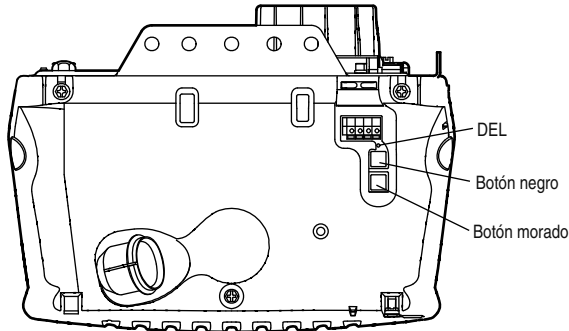
AJUSTES, PASO 1

Programación de los límites del recorrido

Los límites del recorrido regulan los puntos en los que la puerta se detendrá al abrirse y cerrarse.

Ajuste la posición de la puerta utilizando el botón negro y el púrpura. El botón negro mueve la puerta hacia ARRIBA (abierta) y el púrpura mueve la puerta hacia ABAJO (cerrada).

Figura 1



Ajuste de la posición ARRIBA:

1. Oprima y mantenga oprimido el botón negro hasta que la DEL (luz indicadora) amarilla comience a parpadear lentamente, luego suéltelo (Figure 2).
2. Oprima y mantenga oprimido el botón negro hasta que la puerta alcance la posición ARRIBA (abierta) deseada.

NOTA: Verifique que la puerta se abra lo suficiente para que pase su vehículo.

3. Oprima el estación de un solo botón. Esto fija el límite ARRIBA (abierta) y comienza a cerrar la puerta (Figure 3).
4. Inmediatamente después de que la puerta comience a moverse hacia abajo, oprima y suelte el botón negro o el púrpura. Esto detendrá la puerta.

Ajuste de la posición ABAJO:

5. Oprima y mantenga oprimido el botón púrpura hasta que la puerta alcance la posición ABAJO (cerrada) deseada (Figure 4).
6. Si la puerta tiene presión exceso, puede mover la puerta hacia adelante y hacia atrás utilizando el boton negro y purpura para alcanzar la posición deseada.
7. Oprima el estación de un solo botón (Figure 3). Esto fija el límite ABAJO (cerrada) y debe mover la puerta hacia la posición abierta.

Proceda al *Ajustar la fuerza*.

⚠ ADVERTENCIA

Si el sistema de retroceso de seguridad no se ha instalado debidamente, las personas (y los niños pequeños en particular) podrían sufrir LESIONES GRAVES o INCLUSO LA MUERTE cuando se cierra la puerta de la cochera.

- El ajuste incorrecto de los límites del recorrido de la puerta de la cochera interferirá con la operación adecuada del sistema de retroceso de seguridad.
- NUNCA use los ajustes de la fuerza para compensar si la puerta del garaje se atasca o se atora.
- Después de llevar a cabo cualquier ajuste, se DEBE probar el sistema de retroceso de seguridad. La puerta DEBE retroceder al entrar en contacto con un objeto de 3.8 cm (1-1/2 de pulg.) de altura (o bien un pedazo de madera de 5x10 cm (2x4 pulg.) acostado) en el piso.

PRECAUCIÓN

Para evitar que los vehículos sufran daños, cerciórese de que cuando la puerta esté completamente abierta haya espacio suficiente.

Figura 2

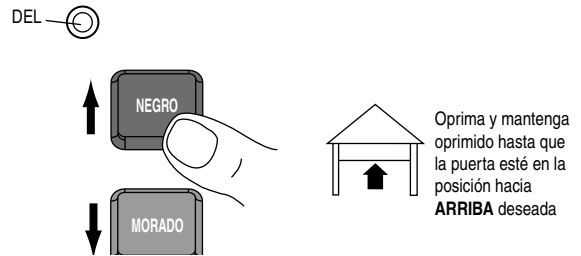


Figura 3

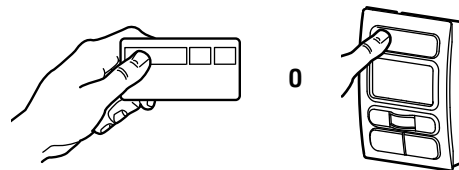
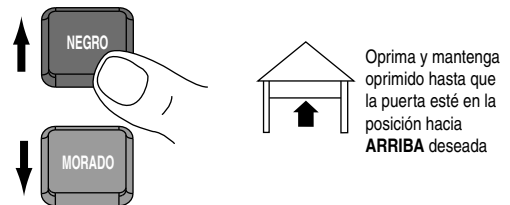


Figura 4



AJUSTES, PASO 2

Ajustar la fuerza

El ajuste de la fuerza mide la cantidad de fuerza necesaria para abrir y cerrar la puerta.

1. Oprima el botón morado dos veces para que la control de la puerta ingrese al Modo de Ajuste de Fuerza. La DEL (luz Indicadora) parpadeará rápidamente.
2. Oprima la control de la puerta o control remoto programado. La puerta se moverá hasta la posición ABAJO (cerrada).
3. Oprima la control de la puerta o control remoto programado nuevamente y la puerta se moverá asta la posición ARRIBA (abierta).
4. Oprima la control de la puerta o control remoto programado por tercera vez para enviar la puerta a la posición ABAJO (cerrada).

La DEL (luz Indicadora) dejará de parpadear cuando la fuerza se haya programado.

La puerta debe recorrer un ciclo completo, arriba y abajo, para que la fuerza se ajuste adecuadamente. Si la consola no puede abrir ni cerrar su puerta completamente, inspeccione su puerta para asegurarse de que esté bien equilibrada y no esté atascada ni atorada.

Si la puerta no se de tiene exactamente donde usted quiere, repita Programación de los límites del recorrido.

⚠ ADVERTENCIA

Si el sistema de retroceso de seguridad no se ha instalado debidamente, las personas (y los niños pequeños en particular) podrían sufrir LESIONES GRAVES o INCLUSO LA MUERTE cuando se cierra la puerta de la garaje.

- El ajuste incorrecto de los límites del recorrido de la puerta de la garaje interferirá con la operación adecuada del sistema de retroceso de seguridad.
- NUNCA use los ajustes de la fuerza para compensar si la puerta del garaje se atasca o se atora.
- Después de llevar a cabo cualquier ajuste, se DEBE probar el sistema de retroceso de seguridad. La puerta DEBE retroceder al entrar en contacto con un objeto de 3.8 cm (1-1/2 de pulg.) de altura (o bien un pedazo de madera de 5x10 cm (2x4 pulg.) acostado) en el piso.

Figura 1

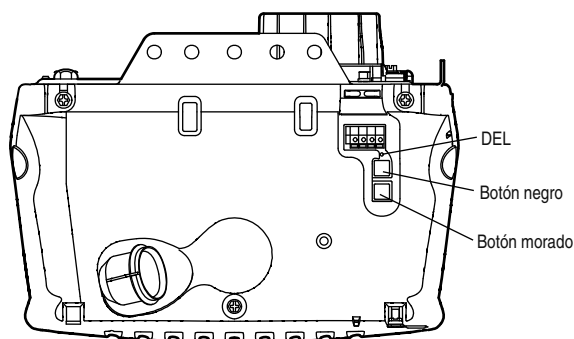


Figura 2

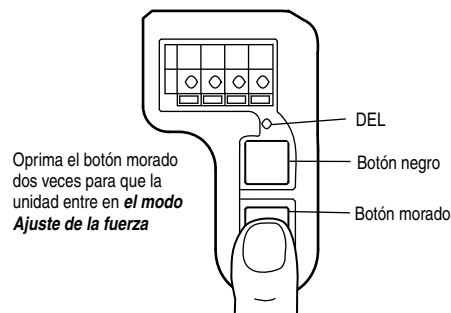
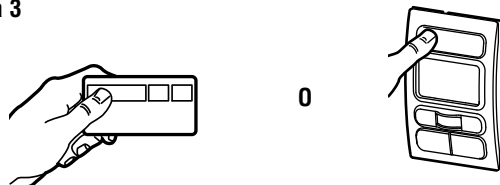


Figura 3



AJUSTES, PASO 3

Prueba del sistema de reversa de seguridad

PRUEBA

- Con la puerta totalmente abierta, coloque un taco de madera de 3.8 cm (1-1/2 de pulg.) (o una tabla de 2x4 pulg.) acostada sobre el piso, centrado bajo la puerta.
- Active la puerta para que baje. La puerta **debe** entrar en reversa automáticamente al hacer contacto con la obstrucción.

AJUSTE

- Si la puerta se detiene al toparse con la obstrucción, esto significa que el recorrido HACIA ABAJO (cerrar) no es suficiente. *Termine los pasos de progresión 1 y 2 del ajuste que programan los límites y las fuerzas.*

NOTA: En caso de una puerta seccional, asegúrese de que los ajustes del límite de recorrido no hagan que el brazo de la puerta se mueva más allá de una posición recta hacia arriba y hacia abajo. Véase Figura 3, página 26.

- Repita la prueba.
- Después que la puerta invierta su movimiento al tocar la obstrucción de 3.8 cm (1-1/2 de pulg.), quite la obstrucción y haga funcionar el abre-puertas 3 o 4 ciclos completos para probar el ajuste de los movimientos.
- Si el sistema de reversa de seguridad continuara fallando, llame a un técnico especialista para efectuar la reparación.

VERIFICACIÓN IMPORTANTE DE SEGURIDAD:

Pruebe el sistema de reversa de seguridad después de:

- Cada ajuste del largo del brazo de puerta, de los límites de recorrido o de la fuerza de accionamiento.
- Reparar o mantener la puerta y/o sus mecanismos (incluyendo resortes y accesorios de fijación).
- Reparar o nivelar el piso del garaje.
- Reparar o mantener el abre-puertas.

AJUSTES, PASO 4

Prueba del Protector System®

- Abra la puerta con el control remoto.
- Coloque en el piso la caja en la que vino embalado el abre-puertas, adonde interfiera con el recorrido de la puerta.
- Comande el cierre de la puerta con el control remoto. La puerta no se moverá más de 2.5 cm (1 pulg.) y la luz del abre-puertas comenzará a destellar.

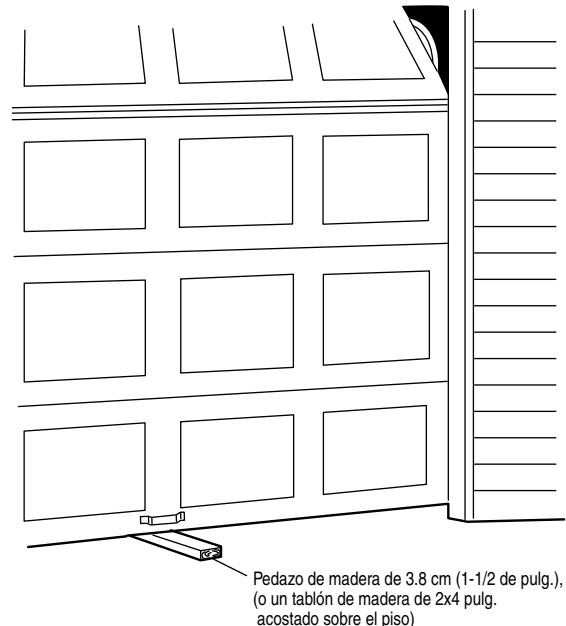
El abre-puertas no ejecutará el cierre con comando remoto si la luz indicadora de cualquiera de los sensores de seguridad estuviera apagada (advirtiendo al usuario que los sensores están desalineados o hay una obstrucción).

Si el abre-puertas comanda el cierre de la puerta con una obstrucción presente (y los sensores de seguridad no están instalados a más de 15 cm (6 pulg.) de altura sobre el piso), llame a un técnico especializado para reparar este problema.

! ADVERTENCIA

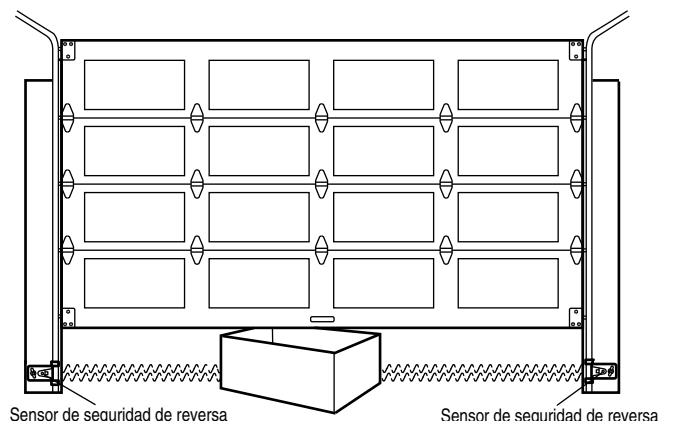
Si el sistema de reversa de seguridad no se ha instalado debidamente, las personas (y los niños pequeños en particular) podrían sufrir LESIONES GRAVES o INCLUSO LA MUERTE cuando se cierre la puerta del garaje.

- El sistema de reversa de seguridad se DEBE probar cada mes.
- Después de llevar a cabo cualquier ajuste, se DEBE probar el sistema de reversa de seguridad. La puerta DEBE retroceder al entrar en contacto con un objeto de 3.8 cm (1-1/2 de pulg.) de altura (o un tablón de madera de 2x4 pulg.) acostado en el piso.



! ADVERTENCIA

Si el sistema de auto-reversa de seguridad no se ha instalado debidamente, las personas (y los niños pequeños en particular) podrían sufrir accidentes GRAVES o FATALES cuando se cierre la puerta del garaje.



OPERACIÓN

INSTRUCCIONES DE SEGURIDAD IMPORTANTES

ADVERTENCIA

Para reducir el riesgo de LESIONES GRAVES o ACCIDENTES FATALES:

1. LEA Y RESPETE TODAS LAS ADVERTENCIAS E INSTRUCCIONES.
2. SIEMPRE conserve los controles remotos lejos del alcance de los niños. NUNCA permita que los niños operen o jueguen con los botones del control del abre-puertas de garaje ni con los controles remotos.
3. SÓLO active el abre-puertas de garaje siempre y cuando esté a plena vista, correctamente calibrado y no haya ninguna obstrucción en el recorrido de la puerta.
4. Tenga SIEMPRE la puerta del garaje a la vista hasta que esté completamente cerrada. NADIE DEBE ATRAVESAR EL RECORRIDO DE LA PUERTA CUANDO ESTÁ EN MOVIMIENTO.
5. NO DEJAR PASAR A NADIE POR DEBAJO DE UNA PUERTA DE GARAJE DETENIDA, NI PARCIALMENTE ABIERTA.
6. De ser posible, use el desenganche de emergencia para soltar el carro, SÓLO cuando la puerta del garaje esté CERRADA. Si los resortes están debilitados o rotos, o si la puerta está desbalanceada, podría caerse rápida e inesperadamente.
7. NUNCA use la manija del desenganche de emergencia a menos que la entrada al garaje esté libre de obstrucciones y no haya ninguna persona en el camino.
8. NUNCA use la manija para abrir o cerrar la puerta. Si el nudo de la cuerda se desatara, usted podría caerse.
9. Cuando se ajusta uno de los controles (límites de fuerza o de recorrido), es posible que sea necesario ajustar también el otro control.
10. Después de llevar a cabo cualquier ajuste, se DEBE probar el sistema de reversa de seguridad.
11. El sistema de reversa de seguridad se DEBE probar cada mes. La puerta DEBE invertir su dirección al entrar en contacto con un objeto de 3.8 cm (1-1/2 de pulg.) de altura (o un tablón de madera de 2x4 pulg.) apoyado sobre el piso.
12. MANTENGA SIEMPRE LA PUERTA DEL GARAJE DEBIDAMENTE BALANCEADA (véase la página 3). Si la puerta no está debidamente balanceada es posible que no retroceda cuando así se requiera y podría ocasionar una LESIÓN ACCIDENTAL GRAVE o INCLUSO LA MUERTE.
13. TODAS las reparaciones necesarias de cables, resortes y otras piezas las DEBE llevar a cabo un técnico especializado en sistemas de puertas, pues TODAS estas piezas están bajo una tensión EXTREMA.
14. Para reducir el riesgo de LESIONES GRAVES o ACCIDENTES FATALES, SIEMPRE desconecte TODO alimentación de energía eléctrica y batería al abre-puertas de garaje ANTES de llevar a cabo cualquier reparación o de quitar las tapas.
15. **CONSERVE ESTAS INSTRUCCIONES.**

Uso del abre-puertas de garaje

El abre-puertas y el control remoto Security+® vienen programados de fábrica con un código de interacción que cambia aleatoriamente cada vez que se usa el mecanismo, y se pueden combinar hasta 100 millones de códigos. El abre-puertas es compatible para funcionar con ocho controles remotos Security+® y un sistema de acceso sin llave Security+®. Si compra un control remoto nuevo, o si desea desactivar uno existente, siga las instrucciones de la sección *Programación*.

Puede activar el abre-puertas de alguna de las siguientes maneras:

- *Con el control remoto portátil.* Mantenga oprimido el botón grande hasta que la puerta se empiece a mover.
- *Con el control remoto instalado en la pared:* Mantenga oprimido el botón o barra hasta que la puerta se empiece a mover.
- *Con el acceso sin llave (véase la sección Accessories):* Si se incluye con su abre-puertas de garaje, deberá estar programado antes de usarlo. Véase *Programación*.

Cuando se activa el abre-puertas (con los sensores de seguridad correctamente instalados y alineados):

1. La puerta se cerrará si está abierta, o se abrirá si está cerrada.
2. Si la puerta se está cerrando, invertirá la dirección de movimiento.
3. Si la puerta se está abriendo, se va a detener.
4. Si la puerta se ha detenido en un posición parcialmente abierta, se va a cerrar.
5. Si hay una obstrucción mientras se cierra, invertirá la dirección de movimiento. Si una obstrucción interrumpiera el haz del sensor, la luz del sistema se encenderá intermitentemente durante cinco segundos.

6. Si hay una obstrucción durante la apertura, la puerta se detendrá.
7. Si el haz del sensor está interrumpido y la puerta está abierta, no se cerrará. El sensor no afecta la apertura de la puerta.

Si el sensor no está instalado o está más alineado, la puerta no se cerrará con el comando de un control remoto portátil. La puerta en tal caso se podrá cerrar con el control de pared, la cerradura externa o el acceso sin llave. *Si estos controles se sueltan demasiado rápido, la puerta volverá a abrirse.*

La luz del abre-puertas se encenderá en los siguientes casos: cuando el enchufe eléctrico del abre-puertas se conecta por primera vez; cuando se restablece la energía eléctrica después de un corte; cada vez que se activa el abre-puertas.

Se apagarán automáticamente después de 4,5 minutos, o quedarán encendidas si está activada la función de Iluminación en la Smart Control Panel®. Los bombillos deben ser de A19. El poder de la bombilla es 100 máximo vatios.

Función de Iluminación Security+®: Las luces se encenderán también si alguien camina por la puerta de la cochera cuando está abierta. Si tiene la Smart Control Panel®, esta función puede desactivarse como sigue: Con las luces del abridor apagadas, oprima y mantenga oprimido el botón de la luz durante 10 segundos hasta que la luz se encienda y se apague de nuevo. Para volver a activar esta función, empiece el procedimiento con las luces encendidas, luego oprima y mantenga oprimido el botón de la luz durante 10 segundos hasta que la luz se apague y luego se encienda de nuevo.

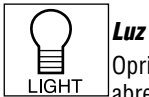
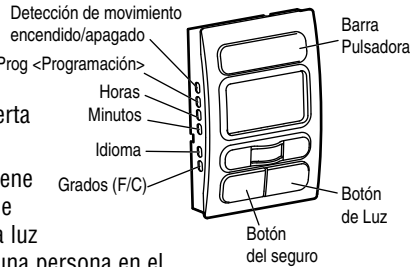
Cómo usar la control de la puerta de pared

LA SMART CONTROL PANEL®

Oprima el botón iluminado para abrir o cerrar la puerta. Oprima de nuevo para que la puerta retroceda en el ciclo de cierre o para detener la puerta cuando se está abriendo.

Esta control de la puerta contiene un detector de movimiento que encenderá automáticamente la luz cuando detecte la entrada de una persona en el garaje.

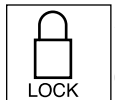
Esta característica puede apagarse fácilmente cuando se usen extensivamente las luces de trabajo.



Luz

Oprima el botón de Luz para encender o apagar la luz del abre-puertas. Este botón no controla las luces del abre-puertas cuando la puerta está en movimiento. Si usted enciende la luz y luego activa el abre-puertas, la luz permanecerá encendida durante cuatro minutos y medio. Oprima el botón nuevamente para que la luz se apague antes. El intervalo de 4 minutos y 1/2 puede cambiarse a 1 minuto y 1/2, 2 minutos y 1/2 o 3 minutos y 1/2, como sigue: Oprima y mantenga oprimido el botón del seguro (Lock) hasta que la luz empiece a parpadear (alrededor de 10 segundos). Si parpadea una vez, esto indica que el medidor de tiempo se ha fijado a un minuto y medio. Repita el procedimiento y la luz parpadeará dos veces, lo que significa que el intervalo se ha fijado en 2 minutos y 1/2. Repita una vez más si desea un intervalo de 3 minutos y 1/2, etc., hasta un máximo de 4 minutos y 1/2, en cuyo caso la luz parpadeará cuatro veces.

Al usar las luces del abre-puertas como luces de trabajo, recomendamos que primero inhabilite el detector de movimiento.



Función de Bloqueo

Esta función es para prevenir la operación de la puerta con controles remotos portátiles. La puerta continuará abriéndose con el control de pared, con el interruptor externo de cerradura y con la llave digital.

Para activar la función, mantenga oprimido el botón de Bloqueo (Lock) durante 2 segundos. La Smart Control Panel® se exhibir el mensaje que seque: "CONTROL REMOTO DE LA MODALIDAD DE BLOQUEO DESBLOQUEO. OPRIMA EL BOTÓN DE BLOQUEO PARA ACTIVAR EL CONTROL REMOTO."

Para desactivar esta función, nuevamente mantenga oprimido el botón de Bloqueo (Lock) durante 2 segundos. La luz del pulsador dejará de destellar. La función de Bloqueo también se desactivará cuando se pulse el botón de "aprendizaje" en el panel del motor.

Característica de la Luz de Detección de Movimiento

La luz del abridor se encenderá automáticamente cuando una persona camine por delante de la control de la puerta de pared. Esta característica funciona al detectar el movimiento y el calor del cuerpo y tal vez no funcione a temperaturas de unos 100° F (37.7° C). La luz del abridor se encenderá durante 5 minutos, y después de apagará automáticamente si no se calcula una diferencia de movimiento o calor adicionales.

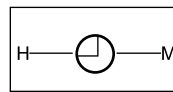
Para desactivar esta característica, oprima el botón de encendido/apagado automático de la luz del lado izquierdo del control de la puerta.



Recomendamos que desactive el sensor de movimiento cuando use las luces del abridor como luces de trabajo. De lo contrario se apagarán automáticamente si está trabajando más allá de la gama del sensor.

(Prog) Característica de Programación

La control de la puerta de pared está equipada con un botón de Prog <PROGRAMACIÓN> para asistir en la programación de los controles remotos de la unidad. Oprima el botón de Prog <PROGRAMACIÓN> una vez para iniciar la modalidad de PROGRAMACIÓN y la pantalla mostrará Learn Remote Control – Press Learn Button Again to Confirm (Control de programación remoto – Oprima nuevamente el botón de Programación para confirmar). Oprima el botón de Prog <PROGRAMACIÓN> por segunda vez y la pantalla mostrará 'Learn Mode - Press Remote Control Button to Learn Remote' (Modalidad de Programación – Oprima el botón de control remoto para programar el control remoto) Oprima el botón de control remoto que se vaya a programar y la luz de trabajo destellará para confirmar que se ha programado el control remoto.

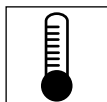


Característica de Horas y Minutos

Oprima o mantenga oprimido uno de estos botones laterales para aumentar las horas o minutos mostrados en la pantalla LCD.

(Lang) Característica de Idioma

Oprima este botón lateral para moverse por los tres idiomas – Inglés, español y francés.



Característica de Grados (F/C)

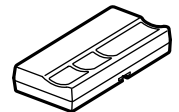
Oprima este botón lateral para pasar de grados Fahrenheit a centígrados y viceversa.

Función adicional cuando se usa con el control remoto manual de tres funciones

Para controlar las luces del abridor:

Además de la operación de la puerta, también puede programar el control remoto para el funcionamiento de las luces.

1. Con la puerta cerrada, oprima y mantenga oprimido un botón pequeño del control remoto que desee usar para el control de la luz.
2. Oprima y mantenga oprimido el botón de Luz del control de la puerta.
3. Mientras mantiene oprimido el botón de Luz, oprima y mantenga oprimido el botón del seguro (Lock) del control de la puerta.
4. Después de que las luces del abridor se enciendan brevemente, suelte todos los botones.



Reserva de batería (opcional)

INSTRUCCIONES DE OPERACIÓN

1. Pruebe la batería con la unidad de motor.

Para probar la BBU, desconecte el cordón de la unidad de motor de la salida eléctrica.

- Un indicador LED naranja sólido indica que la batería está operando con energía de baterías.
- Un indicador LED naranja que parpadea con bip indica que la unidad está operando con energía de batería y que la carga de la batería está baja.
- Para probar que la batería está funcionando adecuadamente, abra y cierre la puerta de garaje.
- Vuelva a conectar el cordón de energía de la unidad de motor a la salida eléctrica.
- Verifique que el indicador LED verde está parpadeando en la batería (indica que ahora se está cargando la batería).
- Prueba completada.

2. Cargue la batería.

- Permita que las baterías se carguen completamente de 24 a 48 horas antes de usar el sistema de la batería.

Una batería completamente cargada suministra 24V dc a la unidad de motor durante uno o dos días de operación normal durante una falla de energía eléctrica. Si el voltaje de la batería cae a un nivel demasiado bajo, las baterías se desconectarán y la unidad de motor ya no operará bajo el poder de la batería.

Después de que se ha restaurado la energía eléctrica, las baterías se recargarán en las siguientes 48 horas. En uso normal, las baterías durarán de 3 a 5 años.

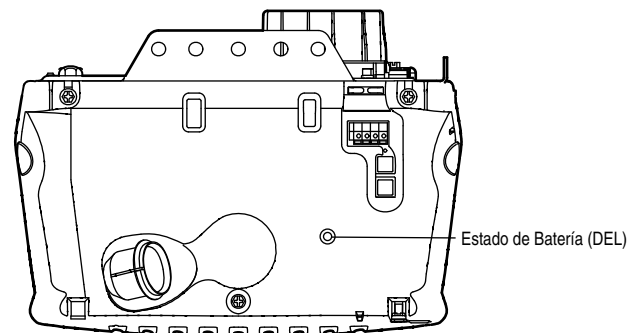
Para obtener la vida máxima de la batería y evitar daño, también desconecte el respaldo de batería si desconecta el motor mientras está de vacaciones o durante cualquier otro periodo extenso de tiempo.

NOTA: La operación de puertas puede ser limitada hasta que las baterías estén completamente cargadas. Las luces de la unidad de motor no se encenderán durante el modo batería.

ADVERTENCIA

Para reducir el riesgo de INCENDIO o LESIONES a las personas:

- Desconecte TODA la corriente eléctrica y de la batería ANTES de realizar cualquier servicio o mantenimiento.
- Use SOLAMENTE la pieza Chamberlain N° 41A6357-1 como batería de repuesto.
- NO arroje la batería al fuego. La batería puede estallar. Compruebe las instrucciones de desecho en los códigos locales.



NOTA: El indicador LED es mas visible con el luz apagado.

INDICADOR LED VERDE:

Todos los sistemas están normales.

- La luz sólida de un indicador LED indica que las baterías están totalmente cargadas.
- Un indicador LED que parpadea indica que las baterías se están cargando.

NOTA: Las baterías no deben estar totalmente cargadas para operar la unidad de motor.

INDICADOR LED NARANJA:

La unidad de motor ha perdido energía y está operando fuera de la batería.

- Un indicador LED sólido con bip, que suena aproximadamente cada 2 segundos, indica que la unidad de motor está activando la puerta y está operando fuera de la batería.
- Un indicador LED que parpadea con bip, que suena cada 30 segundos, indica que las baterías están bajas.
- Una vez que se restaura la energía, se recargará la batería. Esto se indica con un indicador LED verde que parpadea.

INDICADOR LED ROJO:

- Si un LED rojo permanece encendido cuando se restablece la corriente, y está acompañado por unos pitidos cada 30 segundos, reemplace la batería.
- Para obtener la máxima duración de la batería e impedir daños, desconecte también la batería si desenchufa la unidad de motor mientras está de vacaciones o durante cualquier otro periodo largo.

Cómo abrir la puerta manualmente

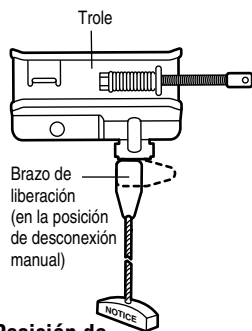
⚠ ADVERTENCIA

Para evitar la posibilidad de una **LESIÓN GRAVE** o **INCLUSO LA MUERTE** si la puerta del garaje se cae:

- De ser posible, use la manija del desenganche de emergencia para soltar el carro **SÓLO** cuando la puerta de el garaje esté **CERRADA**. Si los resortes están débiles o rotos, o bien si la puerta está desequilibrada y se abre podría caerse rápida y/o inesperadamente.
- **NUNCA** use la manija de desenganche de emergencia a menos que la entrada del garaje esté libre de obstrucciones y no haya ninguna persona presente.
- **NUNCA** use la manija para abrir o cerrar la puerta. Si el nudo de la cuerda se suelta, usted podría caerse.

CÓMO DESCONECTAR EL TROLE:

La puerta debe estar completamente cerrada si es posible. Tire de la manija de liberación de emergencia (de manera que el brazo de liberación del trole quede en una posición vertical) y levante la puerta manualmente. La función de *seguro* evita que el trole se vuelva a conectar automáticamente, y la puerta pueda subirse y bajarse manualmente con la frecuencia que sea necesaria.



Posición de desenganche manual

CÓMO RECONECTAR EL TROLE:

Tire de la manija de liberación de emergencia hacia el abridor en un ángulo que el brazo de liberación del trole quede horizontal. El trole se reconecta en la siguiente operación **HACIA ARRIBA** o **HACIA ABAJO**, ya sea manual o mediante el uso del control de la puerta o del control remoto.



Posición de cerrado

Mantenimiento de su abridor de puerta de cochera

CALENDARIO DE MANTENIMIENTO

Una vez al mes

- Haga funcionar la puerta manualmente. Si está desbalanceada o se pandea, llame a un técnico especializado en sistemas de puertas.
- Revise para cerciorarse de que la puerta se abra y se cierre completamente. Ajuste los límites de ser necesario (Vea las páginas 28 y 29).
- Repita la prueba de la retroceso de seguridad. Haga los ajustes necesarios. (Vea Ajustes, Paso 3.)

Una vez al año

- Ponga aceite en los rodillos, los cojinetes y las bisagras de la puerta. El abridor no necesita lubricación adicional. No lubrique los carriles de la puerta.

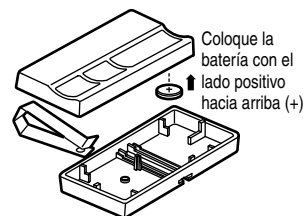
LA BATERÍA DEL CONTROL REMOTO

⚠ ADVERTENCIA

Para evitar la posibilidad de **LESIONES GRAVES** o **INCLUSO LA MUERTE**:

- **NUNCA** permita que los niños pequeños estén cerca de las baterías.
 - Si alguien se traga una batería, llame al médico de inmediato.
- Para reducir el riesgo de incendio, explosión o combustión química:
- Reemplace **ÚNICAMENTE** con baterías planas 3V2032.
 - **NO** recargue, desarme, caliente por encima de 212° F (100° C) o incinere.

La batería de litio puede durar hasta 5 años. Para cambiar la batería, use el broche del visera o un destornillador para abrir la tapa, tal como se indica en la ilustración. Coloque la batería con el lado positivo hacia arriba (+).



Elimine las baterías usadas en forma adecuada.

Reemplace la batería únicamente con baterías planas tipo 3V2032.

AVISO: Para cumplir con las reglas de la FCC y/o de Canadá (IC), ajustes o modificaciones de este receptor y/o transmisor están prohibidos, excepto por el cambio de la graduación del código o el reemplazo de la pila. **NO HAY OTRAS PIEZAS REPARABLES DEL USUARIO.**

Se ha probado para cumplir con las normas de la FCC para USO DEL HOGAR O DE LA OFICINA. La operación está sujeta a las dos condiciones siguientes: (1) este dispositivo no puede causar interferencia perjudicial, y (2) este dispositivo debe aceptar cualquier interferencia recibida, incluyendo la interferencia que puede causar una operación no deseable.

Si tiene algún problema (Resolución de problemas)

1. La puerta no cierra y las luces de la unidad del motor parpadean:

El sensor del sistema de retroceso de seguridad debe estar instalado y alineado correctamente para que el sistema de apertura de la puerta de la cochera se mueva en sentido descendente.

- Asegúrese de que los sensores de seguridad estén instalados y alineados correctamente, y que estén libres de obstrucciones. Consulte la sección Instalación, *Paso 11: Instale La Sistema de Protección®*.
- Compruebe los LED de diagnóstico de la unidad del motor para ver si parpadean. Luego consulte *la tabla de diagnóstico* en la siguiente página.

2. El control remoto no activa la puerta:

- Compruebe Smart Control Panel® para ver si parpadea. En caso afirmativo, desactive el modo de bloqueo siguiendo las instrucciones de *Uso la control de la puerta de pared*.
- Vuelva a programar el control remoto según las instrucciones. Consulte la sección sobre su *Programación*.
- Si el control remoto sigue sin activar la puerta, compruebe el LED de diagnóstico de la unidad del motor para ver si parpadea; luego consulte *la tabla de diagnóstico* en la siguiente página.

3. La puerta invierte el movimiento sin ninguna razón aparente: ajuste la fuerza o los límites del recorrido y repita la prueba de retroceso de seguridad. Es normal tener que ajustar la fuerza y los límites del recorrido periódicamente. Las condiciones atmosféricas pueden afectar al recorrido de la puerta.

- Compruebe manualmente si la puerta tiene problemas de equilibrado o si queda atascada.
- Consulte el apartado *Ajustes, Paso 2: Ajustar la fuerza*.

4. La puerta se cierra completamente, toca el suelo y se vuelve a abrir, sin ningún motivo aparente: ajuste la fuerza o los límites del recorrido y repita la prueba de retroceso de seguridad. Es normal tener que ajustar la fuerza y los límites del recorrido periódicamente. Las condiciones atmosféricas pueden afectar al recorrido de la puerta.

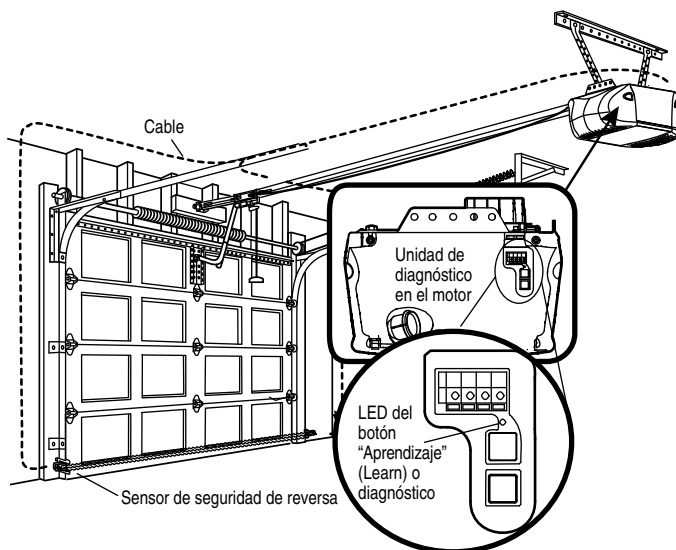
- Consulte el apartado *Ajustes, Paso 1: Programar los límites de recorrido*.

5. Las luces no se apagan cuando la puerta se abre:

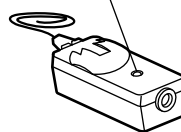
- El sistema de apertura de la puerta de la cochera cuenta con una función de seguridad de luz. Esta función activa la luz cuando el haz del sensor está obstruido; *Uso la control de la puerta de pared, Luz*.

6. La unidad del motor emite un breve zumbido:

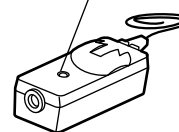
- En primer lugar, compruebe si el trole está atascado en el perno de tope.
- Libere la puerta del abridor tirando de la cuerda de emergencia.
- Cierre la puerta manualmente.
- Afloje la cadena haciendo girar la *tuerca exterior* 4 ó 5 vueltas. Se aliviará la tensión.



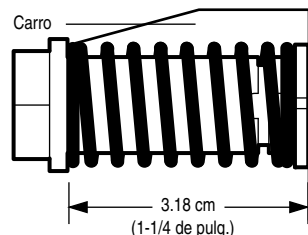
Emisor de sensor de seguridad de reversa (luz indicadora ámbar)



Receptor de sensor de seguridad de reversa (luz indicadora verde)



- Haga funcionar la unidad del motor con el control remoto o con el conmutador de pared. El trole debe desplazarse hacia la puerta, y detenerse. Si se engrana con la puerta, tire de la cuerda de liberación de emergencia para desengranarlo.



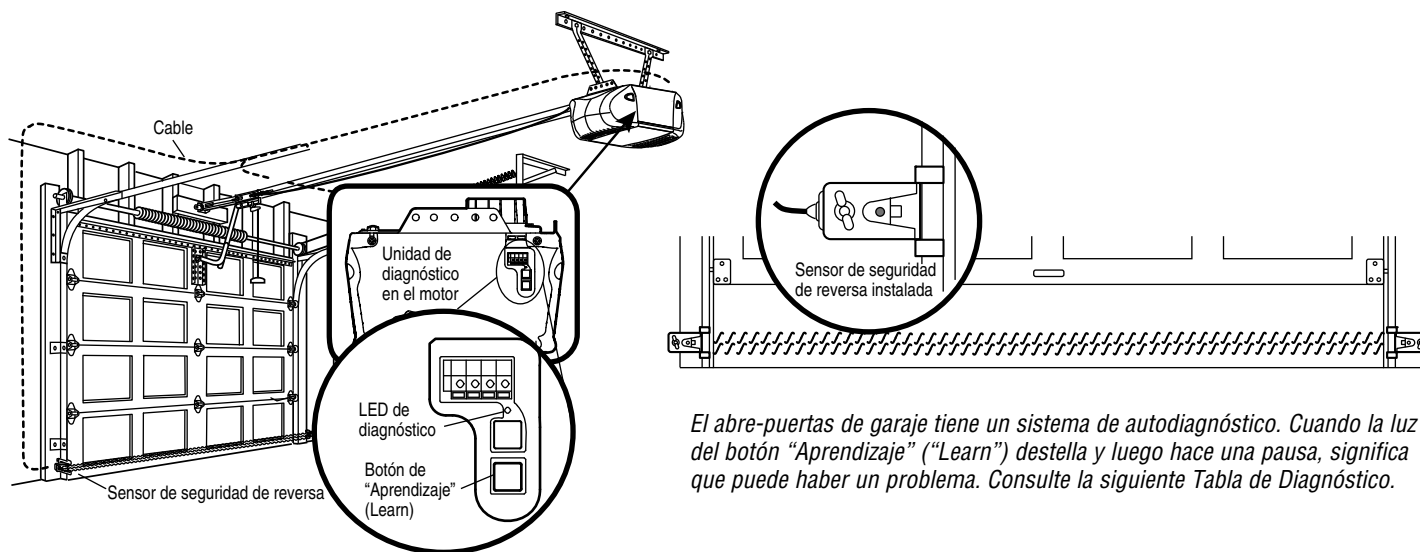
- Vuelva a apretar la tuerca exterior hasta que el resorte del trole esté aproximadamente a 3.18 cm (1-1/4 de pulg.) de longitud.
- Repita estos pasos si el trole no se libera del perno de tope.

7. Indicador LED de estado de batería no iluminado:

- Compruebe las conexiones de la batería.

8. La abre-puerta del garaje hace un bip:

- Un indicador DEL sólido con bip, que suena aproximadamente cada 2 segundos, indica que la unidad de motor está activando la puerta y está operando fuera de la batería.
- Un indicador DEL que parpadea con bip, que suena cada 30 segundos, indica que las baterías están bajas.
- Si un indicador DEL rojo permanece encendido cuando se restaura la energía, y viene acompañado con un bip que suena cada 30 segundos, reemplaze la batería.



El abre-puertas de garaje tiene un sistema de autodiagnóstico. Cuando la luz del botón "Aprendizaje" ("Learn") destella y luego hace una pausa, significa que puede haber un problema. Consulte la siguiente Tabla de Diagnóstico.

Tabla de Diagnóstico

1 DESTELLO

Circuito abierto de los sensores de seguridad de reversa (cable cortado o desconectado).

0

2 DESTELLOS

Cable en cortocircuito o conexión invertida en cables negro/blanco en sensores de seguridad de reversa.

3 DESTELLOS

Cortocircuito en el control o en uno de sus cables.

4 DESTELLOS

Sensores de seguridad de reversa levemente desalineados (luz débil o destellante).

5 DESTELLOS

El RPM de motor no es reconocer.

- **Síntoma: Una o ambas luces indicadoras de los sensores de seguridad de reversa no están encendidas.**
 - Inspeccione los cables de los sensores (posible cortocircuito en un grapa de fijación), verifique la polaridad de los cables (conexión invertida de cables negro y blanco), un cable podría estar cortado o desconectado, cambie o conecte el cable, según sea necesario.
 - Desconecte todos los cables de la parte trasera del motor.
 - Desmonte los sensores de las ménsulas y acorte los cables 1 o 2 pies (30 a 60 cm) hacia atrás de cada sensor.
 - Vuelva a conectar al motor los cables del emisor del haz. Si la luz indicadora del emisor se enciende, conecte el receptor.
 - Proceda a alinear los sensores; si las luces indicadoras se encienden, cambie los cables de los sensores. Si las luces indicadoras no se encienden, cambie los sensores de seguridad de reversa.

 - **Síntoma: La luz (LED) del control no se enciende.**
 - Inspeccione los cables y el control para detectar si hay un cortocircuito (por ejemplo, en una grapa de fijación), y repare lo que sea necesario.
 - Desconecte los cables del control y haga contacto entre ellos. Si el motor arranca, cambie el control.
 - Si el motor no arranca, desconecte del panel del motor los cables que vienen del control. Haga un puente momentáneo entre los terminales rojo y blanco. Si el motor arranca, cambie los cables entre el control y el motor.

 - **Síntoma: La luz indicadora del emisor está encendida normalmente, pero la luz del receptor se enciende débilmente o intermitentemente.**
 - Alinear el receptor, limpiarlo y reajustar la ménsula.
 - Verifique que el riel guía de la puerta esté firmemente unido a la pared y que no se mueva.

 - **Síntoma: La puerta recorrido 2 a 3 pulg. y parar.**
 - Reprogramar los límites de recorrido. Vea el sección de Ajuste.
 - Si el motor continúa a recorrido de 2 a 3 pulg., verifique que el conexión del módulo de recorrido o reemplace el módulo de recorrido.
- Síntoma: No movemimineto, el motor corrie 2 a 3 segundos.**
- Volver a conectar el desenganche de emergencia.
 - Reemplace el motor.

Mensajes de la Smart Control Panel®

Los mensajes siguientes están contenidos dentro de la Smart Control Panel® y pueden aparecer durante las operaciones de la unidad:

Mensaje

SENSORES DE SEGURIDAD Compruebe el alineamiento, bloqueo o malas conexiones Vea el manual del propietario

- **Significado:** Este mensaje aparecerá si los sensores de seguridad de reversa están desalineados, bloqueados o si los cables están desconectados. Haga lo siguiente para borrar el mensaje del control de la puerta:
 - Compruebe para ver que el área esté despejada entre los sensores de seguridad de reversa.
 - Compruebe para ver que los sensores de inversión de seguridad no estén desalineados.
 - Vuelva a alinear el sensor de la célula fotoeléctrica de recepción, limpie la lente y fije los soportes.
 - Verifique que el carril de la puerta esté firmemente sujeto a la pared y no se mueva.
 - Compruebe para ver que los cables de los sensores de inversión de seguridad estén conectados a la unidad de motor.
 - Si no se ha borrado el mensaje después de las comprobaciones anteriores, consulte el mensaje 2.

Mensaje

FUNCIONAMIENTO ERRÓNEO DE LOS SENSORES DE SEGURIDAD Compruebe si hay malas conexiones Vea el manual del propietario

- **Significado:** Este mensaje aparecerá si los sensores de seguridad de reversa están mal conectados. Haga lo siguiente para borrar el mensaje:
 - Inspeccione los cables de los sensores de seguridad de reversa para ver si hay un cortocircuito (grapa en el cable), polaridad correcta de las conexiones (cables negro/blanco invertidos), reemplace/conecte según sea necesario.
 - Desconecte todos los cables de la parte trasera de la unidad del motor.
 - Desconecte los sensores de seguridad de reversa de los soportes y acorte los cables de los sensores 1-2 pies (30-60 cm) de la parte trasera de cada sensor.
 - Vuelva a conectar la célula fotoeléctrica de emisión a la unidad de motor usando cables acortados. Si el indicador de la célula fotoeléctrica de emisión brilla de forma constante, conecte la célula fotoeléctrica de recepción.
 - Alinee los sensores, si las luces indicadoras brillan, reemplace los cables de los sensores. Si no se encienden las luces indicadoras de los sensores, reemplace los sensores de inversión de seguridad.

Mensaje

CONTROL REMOTO DE PROGRAMACIÓN Oprima el botón de programación para confirmar

- **Significado:** Este mensaje aparecerá cuando se haya oprimido el botón de Prog <PROGRAMACIÓN> del control de la puerta. Al oprimir nuevamente el botón de Prog <PROGRAMACIÓN>, se permitirá que el usuario programe un control remoto adicional del abridor.

Mensaje

MODALIDAD DE PROGRAMACIÓN Oprima el botón de control remoto para programar el control remoto

- **Significado:** Este mensaje aparecerá cuando se haya oprimido el botón de Prog <programación> por segunda vez en el control de la puerta o en cualquier momento en el abridor. El abridor está listo para programar otro control remoto oprimiendo simplemente el botón de control remoto. Una vez que se haya PROGRAMADO el control remoto, la luz de trabajo destellará una vez más.

Mensaje

CONTROL REMOTO DE LA MODALIDAD DE BLOQUEO DESBLOQUEO Oprima el botón de bloqueo para activar el control remoto

- **Significado:** Este mensaje aparecerá cuando se haya oprimido el botón de bloqueo sin soltarlo durante más de un segundo. Esta característica desactivará el abridor de las señales de control remoto de recepción. Para salir de la modalidad de BLOQUEO, oprima el botón sin soltarlo durante más de un segundo.

Mensaje

INGLÉS, FRANCÉS Y ESPAÑOL

- **Significado:** Este mensaje aparecerá cuando se haya oprimido el botón de Idioma. Al oprimir el botón se pasará al idioma siguiente.

Mensaje

DETECCIÓN DE MOVIMIENTO ENCENDIDA DETECCIÓN DE MOVIMIENTO APAGADA

- **Significado:** Este mensaje aparecerá cuando se haya oprimido el botón de Detección de movimiento. El detector de movimiento se encenderá y se apagará cada vez que se oprima el botón.

Mensaje

BATERÍA DE RESPALDO ACTIVADA

- **Significado:** El abridor está funcionando con la batería.

Mensaje

BATERÍA DE RESPALDO ACTIVADA

- **Significado:** El abridor está funcionando con la batería totalmente cargada.

Mensaje

BATERÍA BAJA BATERÍA DE RESPALDO ACTIVADA

- **Significado:** El abridor está funcionando con la batería con carga baja.

Mensaje

BATERÍA MALA REEMPLACE LA BATERÍA AHORA CONSULTE EL MANUAL DEL PROPIETARIO

- **Significado:** La batería no se puede recuperar.

Mensaje

SUMINISTRO ELÉCTRICO RESTABLECIDO BATERÍA CARGANDO

- **Significado:** La batería se está cargando después de un estado reciente de funcionamiento con la batería.

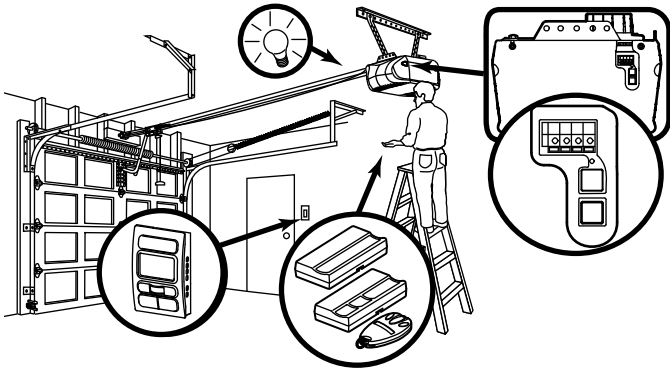
PROGRAMACIÓN

AVISO: Si el abre-puertas de garaje Security+® se usa con un transmisor de código no cambiante, se omitirá la intervención del sistema de seguridad que tiene el abre-puertas contra dispositivos electrónicos usados para apropiarse fraudulentamente del código. El titular del derecho de propiedad de este abre-puertas de garaje no autoriza al comprador y/o vendedor del transmisor de código no cambiante a omitir la intervención del sistema de seguridad.

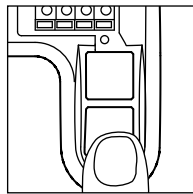
Su abre-puertas de garaje ya viene programado de fábrica para operar con su control remoto. La puerta se abrirá y se cerrará cuando oprima el botón grande. A continuación se dan las instrucciones de programación del abre-puertas para que funcione con otros controles remotos Security+® de 315 MHz.

Para agregar o reprogramar un control remoto

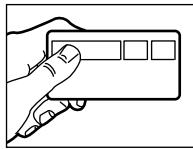
USO DEL BOTÓN "APRENDIZAJE" ("LEARN")



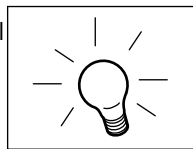
1. Oprima y suelte el botón "Aprender" de la unidad del motor. La luz indicadora de este botón estará encendida por 30 segundos.



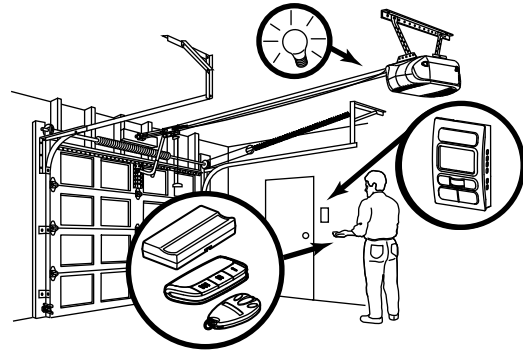
2. En los 30 segundos, oprima y mantenga oprimido el botón del control remoto manual* que desee usar para su puerta de cochera.



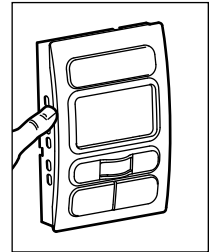
3. Suelte el botón cuando las luces de la unidad del motor empiecen a parpadear. Ya aprendió el código. Si no se han puesto bombillos, se escucharán dos chasquidos.



USO DEL CONTROL DE LA PUERTA

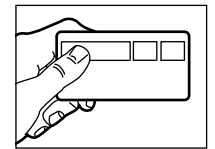


1. Pulse el botón de Prog <Programación> del control de la puerta.

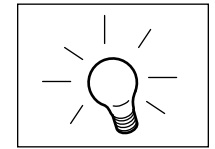


2. Oprima nuevamente el botón de Prog <Programación> para confirmar la modalidad de Programación.

3. Oprima el botón del control remoto* portátil que desee usar para la puerta de su garaje.



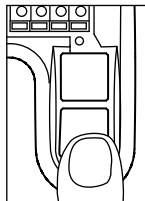
4. Cuando destellen las luces de la unidad de motor, tiene el código programado. Si no se han instalado las bombillas, se oirán dos clics.



Para borrar todos los códigos de la memoria de la unidad del motor

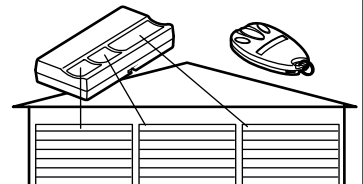
Para desactivar cualquier control remoto que no desee usar, antes que nada borre todos los códigos:

Oprima y mantenga oprimido el botón "Aprender" de la unidad del motor, hasta que la luz del indicador de Aprender se apague (aproximadamente 6 segundos). Ya estarán borrados todos los códigos anteriores. Vuelva a programar cada uno de los controles remotos o la entrada sin llave que desee usar.



*Controles remotos de 3 botones (315 MHz)

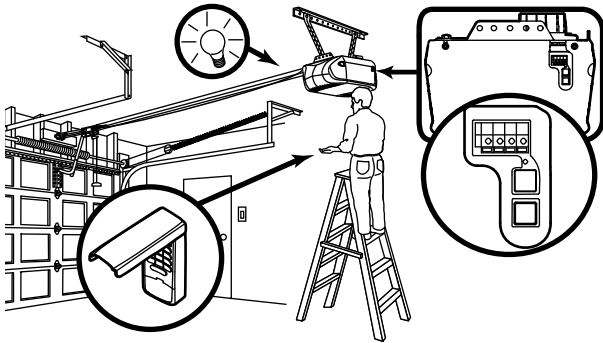
Si el abre-puertas se ha suministrado con su propio control remoto, éste ya viene programado de fábrica para operar la unidad. Los botones adicionales de cualquier control remoto de 3 botones o compacto Security+® se pueden programar para funcionar con otros abre-puertas de garaje Security+®.



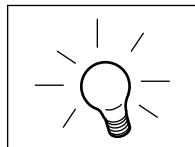
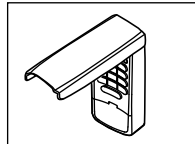
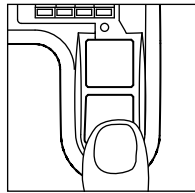
Agregar, reprogramar o cambiar un código de entrada sin llave

NOTA: Su nueva llave digital debe ser programada para que pueda accionar el abre-puertas de garaje.

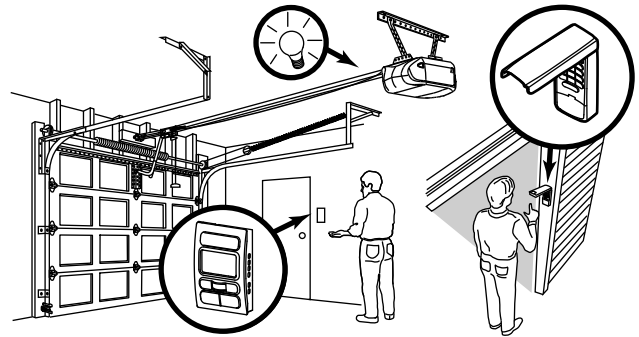
USO DEL BOTÓN "APRENDIZAJE" ("LEARN")



1. Oprima una sola vez el botón "Aprendizaje" (Learn) ubicado en el motor. La luz indicadora se encenderá durante 30 segundos.
2. Dentro de los 30 segundos, marque en el teclado el número de identificación personal (PIN) de 4 dígitos que haya elegido. Luego oprima y mantenga oprimido el botón ENTER.
3. Suelte el botón cuando las luces de la unidad del motor empiecen a parpadear. Ya ha aprendido el código. Si no se han puesto lámparas, se escucharán dos chasquidos.

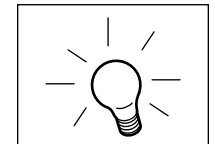
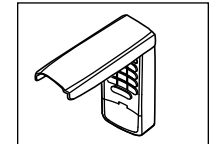
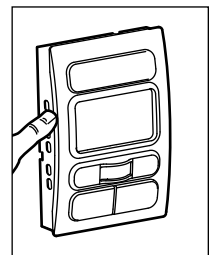


USO DEL CONTROL DE LA PUERTA



NOTA: Este método requiere dos personas si la Llave Digital ya está montada afuera del garaje.

1. Pulse el botón de Prog <Programación> del control de la puerta.
2. Oprima nuevamente el botón de Prog <Programación> para confirmar la modalidad de Programación.
3. Marque en el teclado el número de identificación personal (PIN) de 4 dígitos que haya elegido. Luego oprima y mantenga oprimido el botón ENTER.
4. Suelte los botones cuando las luces de la unidad del motor empiecen a parpadear. Ya ha aprendido el código. Si no se han puesto lámparas, se escucharán dos chasquidos.



Cambio de un PIN existente

Si el PIN existente es conocido, una persona lo puede cambiar sin usar una escalera.

1. Oprima los cuatro botones que correspondan al PIN actual, luego oprima y mantenga oprimido el botón #.
La luz se encenderá dos veces. Suelte el botón #.
2. Oprima el nuevo PIN de cuatro dígitos y luego oprima Enter.
Las luces del motor parpadearán una vez cuando el PIN se haya aprendido.
Pruebe oprimiendo el nuevo PIN, luego oprima Enter. La puerta debe moverse.

Programación de un PIN provisorio

Usted puede autorizar el acceso a sus visitas o a personal de servicio con un PIN provisorio de cuatro dígitos. Después de un determinado número de horas programadas, o número de accesos, este PIN temporal queda anulado y no vuelve a abrir la puerta. Se puede usar para cerrar la puerta aún después de que se haya anulado. Para programar un PIN provisorio:

1. Oprima los cuatro botones correspondientes a su PIN de entrada personal (no el último PIN provisorio); luego oprima y mantenga oprimido el botón *.
La luz del abre-puertas va a parpadear tres veces. Suelte el botón.

2. Oprima los cuatro dígitos del PIN (número de identificación) temporal que haya elegido, luego oprima Enter.
La luz del abre-puertas va a parpadear cuatro veces.
3. Para fijar el número de **horas** que el PIN temporal debe funcionar, oprima el número de horas (hasta 255), luego oprima *.

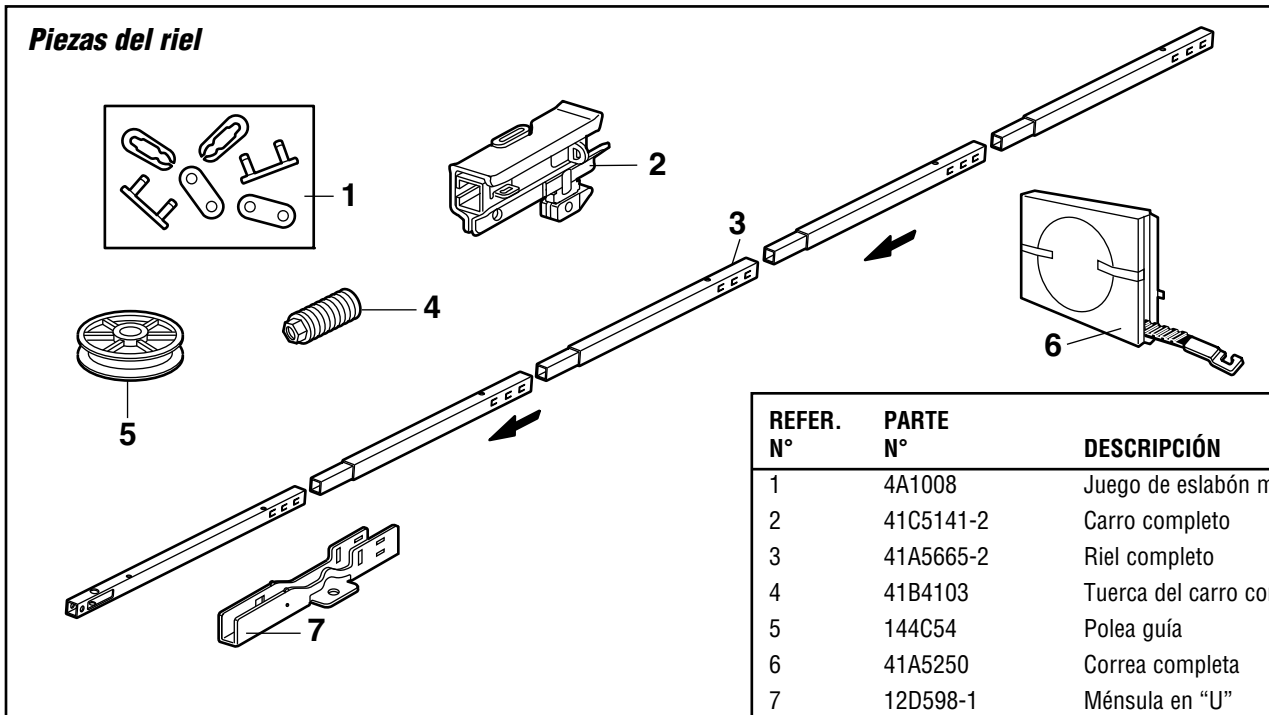
0

3. Para fijar el número de **veces** que el PIN temporal debe funcionar, oprima el número de veces (hasta 255), luego oprima #.
La luz del abre-puertas va a parpadear una vez cuando se haya aprendido el PIN temporal.
Pruebe oprimiendo los cuatro botones correspondientes al PIN temporal, luego oprima Enter. La puerta debe moverse. Si el PIN temporal se ha fijado para abrir la puerta un determinado número de veces, recuerde que la prueba constituye una vez. Para borrar la contraseña temporal, repita los pasos 1 al 3; fijando el número de horas o de veces en 0 en el paso 3.

Cierre con un botón: El abridor se puede cerrar presionando sólo el botón ENTER si está activada la función de cierre con un botón. Esta función viene activada de fábrica. Para activarla o desactivarla, presione y mantenga presionados los botones 1 y 9 durante 10 segundos. El teclado parpadeará dos veces cuando se active la función de cierre con un botón. y parpadeará cuatro veces cuando se la desactive.

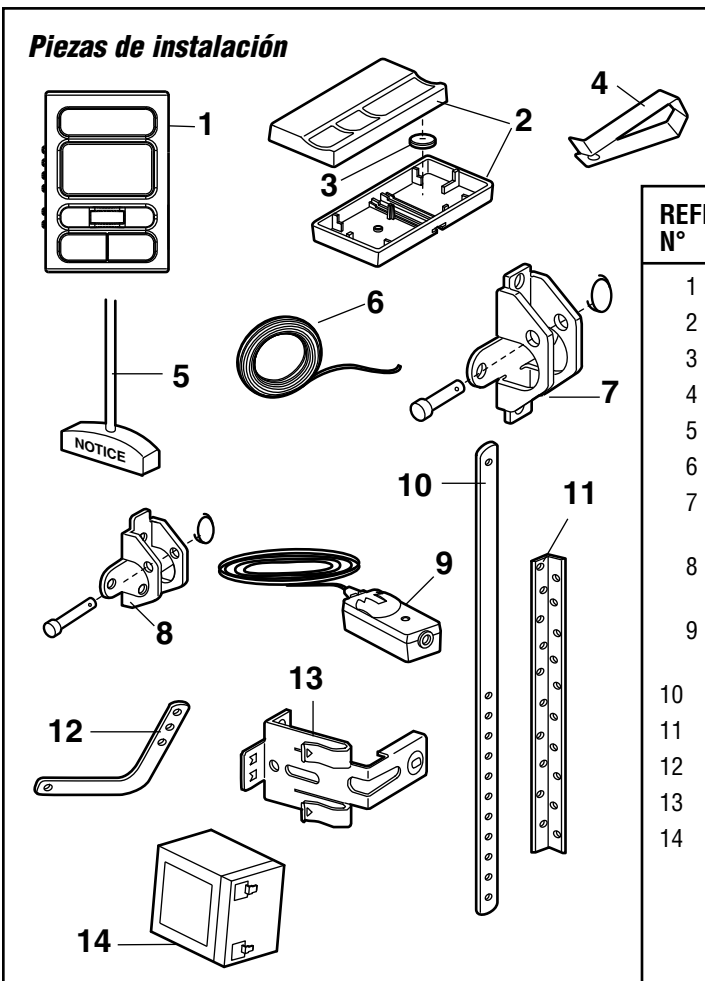
PIEZAS DE REPUESTO

Piezas del riel



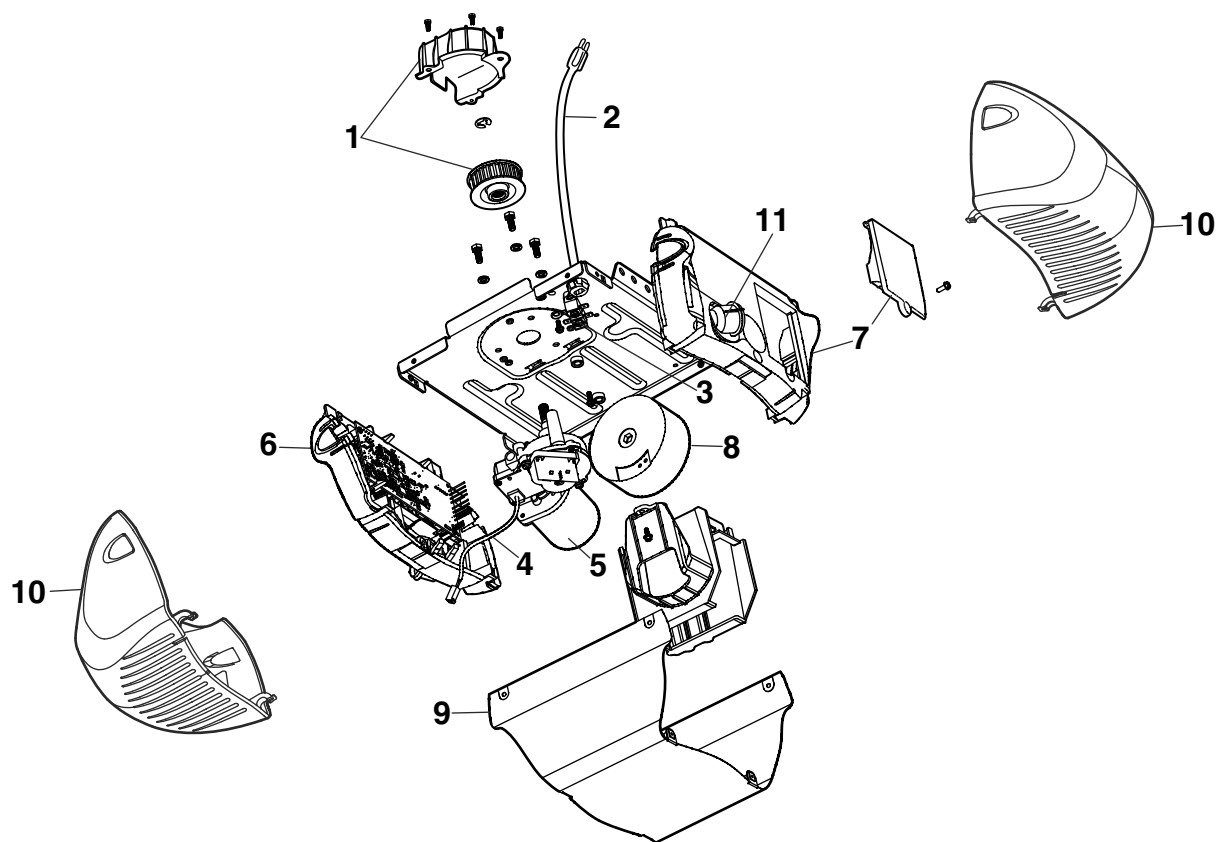
REFER. N°	PARTE N°	DESCRIPCIÓN
1	4A1008	Juego de eslabón maestro
2	41C5141-2	Carro completo
3	41A5665-2	Riel completo
4	41B4103	Tuerca del carro con resorte
5	144C54	Polea guía
6	41A5250	Correa completa
7	12D598-1	Ménsula en "U"
	NO MOSTRADO	
	183A163	Separadores de contacto

Piezas de instalación



REFER. N°	PARTE N°	DESCRIPCIÓN
1	41A6318	Smart Control Panel®
2	953D	Control remoto de 3 botones
3	10A20	Pila de litio de 3V2032
4	29B137	Broche de visera para control remoto
5	41A2828	Manija y cuerda de apertura de emergencia
6	41B4494-1	Cable de 2 conductores, blanco y blanco/rojo
7	41A5047-1	Ménsula de puerta con pasador de chaveta y seguro de anillo
8	41A5047-3	Ménsula del cabezal con pasador de chaveta y seguro de anillo
9	41A5034	Juego de sensores de seguridad (receptor y emisor) con .9 m (3 pies) de cable de 2 conductores
10	178B34	Brazo recto de la puerta
11	12B776	Ménsulas de soporte
12	178B35	Brazo curvo de la puerta
13	41A5266-1	Ménsulas para sensor de seguridad (2)
14	41A6357-1	Batería
	NO MOSTRADO	
	101D169	Barra pulsadora para el control de la puerta
	41A5257-10	Bolsa de accesorios de instalación (incluye accesorios mencionados en página 7)
	114A3288	Manual del usuario

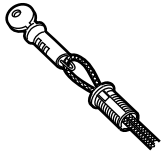
Piezas de la unidad del motor



REFER. N°	PARTE N°	DESCRIPCIÓN	REFER. N°	PARTE N°	DESCRIPCIÓN
1	41C76	Correa casquillo y piñón	7	41A6231	Panel de extremo con puerta de batería y tornillo
2	41B4245	Línea cuerda	8	41C190	Transformador y arnés
3	41B375-3	Terminal bloquear con tornillo	9	41D504-6	Tapa
4	41A6281	Juego de mazo de cables Completo con: Cables y enchufe de la batería Cables del casquillo de la luz y enchufe Cables de rpm/pasantes con enchufe	10	108D79	Lentes
5	41D794	Motor con módulo de recorrido	11	175B88	Casquillo de la luz
6	41DB002-2	Conjunto lógico de receptor		41A6357-1	NO MOSTRADO Juego de batería

ACCESORIOS

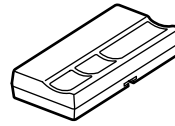
7702CB



Desenganche exterior rápido:

Para garajes sin puerta independiente de acceso.

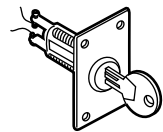
953D



Control remoto SECURITY+® de 3 botones:

Incluye broche para visera.

760CB



Interruptor de llave externo:

Para abrir la puerta automáticamente desde afuera en ausencia de un control remoto.

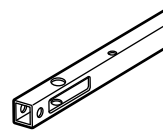
956D



Minicontrol remoto de 3 botones SECURITY+®:

Con anillo llavero y banda sujetadora.

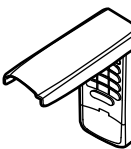
8808CB



Prolongación de riel de 2.4 m (8 pies):

Para permitir la apertura completa de una puerta de 2.4 m (8 pies).

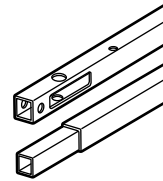
940D



Llave digital SECURITY+®:

Permite al usuario abrir la puerta del garaje desde afuera al ingresar una contraseña en un teclado diseñado especialmente. También se puede agregar una contraseña provisoria para visitantes o proveedores de servicios. El uso de esta contraseña provisoria se puede limitar a un número programable de horas o entradas.

8810CB



Prolongación de riel de 3 m (10 pies):

Para permitir la apertura completa de una puerta de 3 m (10 pies).

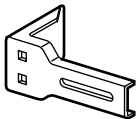
CLDM1



Monitor de puerta de garaje:

Supervisa el estado de la puerta del garaje desde adentro de su casa.

41A5281



Ménsulas de extensión:

(Opcionales) Para la instalación de sensores de seguridad en la pared o en el piso.

Para hacer un pedido, llamar al: 1-800-528-9131.

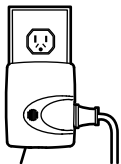
41A6345-1



Control de la puerta sin cable:

Botón pulsadora, función de la luz y botón auxiliar. Batería es incluye.

CLLAD



Control remoto auxiliar:

Con este control remoto de abre-puertas Security+® de Chamberlain, se puede encender una lámpara, un televisor u otro artefacto desde el garaje u otro lugar de la casa.

EL SERVICIO DE CHAMBERLAIN® ESTÁ SIEMPRE DISPONIBLE

NUESTRO SERVICIO ABARCA TODO EL PAÍS

LA INFORMACIÓN SOBRE INSTALACIÓN Y SERVICIO ESTÁ AL
ALCANCE DEL TELÉFONO. SIMPLEMENTE MARQUE NUESTRO
NÚMERO, SIN CARGO ALGUNO:

1-800-528-9131

www.chamberlain-diy.com

Póngase en contacto con su distribuidor local de CHAMBERLAIN si
necesita instalación, piezas de repuesto y servicio profesional.
Busque el distribuidor en las Páginas Amarillas llame a número de
servicio para más información sobre su distribuidor local.

PEDIDO DE REPUESTOS

Una vez confirmado el pedido, las partes enviadas se facturarán
al precio vigente al momento de la transacción.

**CUANDO ORDENE PARTES DE REPUESTO, DEBE
PROPORCIONAR LOS SIGUIENTES DATOS:**

- NÚMERO DE PARTE
- NOMBRE DE LA PARTE
- NÚMERO DE MODELO

PARA EFECTUAR PEDIDOS, DIRÍJASE A:

THE CHAMBERLAIN GROUP, INC.
Technical Support Group
6050 S. Country Club Road
Tucson, Arizona 85706

**INFORMACIÓN PARA SERVICIO
NÚMERO SIN CARGO:**

1-800-528-9131

GARANTÍA LIMITADA DE 3 AÑO DE CHAMBERLAIN® GARANTÍA LIMITADA DE POR 10 AÑOS DEL CORREA Y GARANTÍA LIMITADA POR VIDA DEL MOTOR

The Chamberlain Group, Inc. (el "Vendedor") garantiza al primer comprador (usuario) de este producto, en uso en la residencia en la que fuera originalmente instalado, que está libre de defectos de materiales y/o mano de obra, y dicha garantía se extiende por 3 años a partir de fecha de compra y que el correa está libre de defectos de materiales y/o mano de obra, y dicha garantía se extiende por 10 años a partir de la fecha de compra, y que el motor está libre de defectos de materiales y/o mano de obra, y dicha garantía se extiende por vida a partir de la fecha de compra. La operación apropiada del presente producto depende de que usted cumpla las instrucciones relativas a instalación, operación, mantenimiento y prueba. El hecho de no cumplir de forma estricta con tales instrucciones anulará la presente garantía en su totalidad.

Si, durante el período de la garantía limitada, este producto parece contener un defecto cubierto por la presente garantía limitada, llame al número de teléfono gratuito 1-800-528-9131 antes de desmontar este producto. A continuación, envíe este producto, con gastos de envío pagados por adelantado y asegurado, a nuestro centro de servicio para la reparación oportuna en virtud de la garantía. Se le proporcionarán instrucciones de envío cuando llame. Por favor incluya una descripción breve del problema y un recibo fechado que sirva de prueba de la compra con cualquier producto devuelto para reparación en virtud de la garantía. Los productos devueltos al Vendedor para reparación a efectos de garantía con respecto a los cuales se confirme, tras la recepción correspondiente por parte del Vendedor, que son defectuosos y que se encuentran cubiertos por la presente garantía limitada, serán reparados o reemplazados (de conformidad con la opción exclusiva del Vendedor) sin ningún costo para usted y se devolverán con los gastos pagados por adelantado. Las piezas defectuosas serán reparadas o reemplazadas por piezas nuevas o reprocesadas en fábrica de conformidad con la opción exclusiva del Vendedor.

TODA GARANTÍA IMPLÍCITA DEL PRODUCTO, YA SEA DE APTITUD COMERCIAL, DE APTITUD PARA UN PROPÓSITO PARTICULAR O DE CUALQUIER OTRA ÍNDOLE, ESTARÁ LIMITADA AL PERÍODO DE 3 AÑOS ESTIPULADO EN LA GARANTÍA LIMITADA EXPLICADA ANTERIORMENTE [EXCEPTO LAS GARANTÍAS IMPLÍCITAS CONCERNIENTES AL CORREA Y MOTOR, QUE ESTARÁN LIMITADAS AL PERÍODO DE CORREA 10 AÑOS Y VIDA DEL MOTOR ESTIPULADO EN LA GARANTÍA LIMITADA DE DICHO CORREA Y MOTOR], Y DESPUÉS DE DICHO PERÍODO, NINGUNA GARANTÍA IMPLÍCITA TENDRÁ VIGENCIA. En ciertos estados no se permiten limitaciones de duración de garantías implícitas, por lo cual, las limitaciones estipuladas anteriormente podrían no aplicarse en su caso particular. **ESTA GARANTÍA LIMITADA NO TENDRÁ VALIDEZ EN CASO DE, NI RECONOCERÁ RECLAMOS POR: DAÑOS NO DEBIDOS A DEFECTOS DEL PRODUCTO, DAÑOS CAUSADOS POR DEFECTOS DE INSTALACIÓN, DE USO O DE MANTENIMIENTO (INCLUYENDO, ENTRE OTRAS COSAS, MALTRATO, USO INDEBIDO, FALTA DE MANTENIMIENTO ADECUADO, REPARACIONES EFECTUADAS POR PERSONAL NO AUTORIZADO Y EN CASO DE MODIFICACIONES AL PRODUCTO), MANO DE OBRA POR LA INSTALACIÓN DE UNA UNIDAD REPARADA O CAMBIADA, CAMBIO DE PILAS, CAMBIO DE LÁMPARAS NI UNIDADES INSTALADAS PARA USOS QUE NO SEAN RESIDENCIALES.**

LA PRESENTE GARANTÍA LIMITADA NO CUBRE NINGÚN PROBLEMA QUE SE ENCUENTRE RELACIONADO CON LA PUERTA DEL GARAJE O LOS ACCESORIOS DE LA PUERTA DEL GARAJE, LO CUAL INCLUYE, A TÍTULO ENUNCIATIVO PERO NO LIMITATIVO, LOS RESORTES DE LA PUERTA, LOS RODILLOS DE LA PUERTA, EL ALINEAMIENTO O LAS BISAGRAS DE LA PUERTA. ESTA GARANTÍA LIMITADA TAMPOCO RECONOCE RECLAMOS POR PROBLEMAS CAUSADOS POR INTERFERENCIA ELECTROMAGNÉTICA / ELECTRÓNICA.

EL VENDEDOR NO SERÁ RESPONSABLE BAJO NINGUNA CIRCUNSTANCIA DE DAÑOS CONSECUCIONALES, INCIDENTALES O ESPECIALES QUE SE DERIVEN DEL USO O INCAPACIDAD DE USO DEL PRESENTE PRODUCTO. LA RESPONSABILIDAD DEL VENDEDOR POR INCUMPLIMIENTO DE LA GARANTÍA, INCUMPLIMIENTO DE CONTRATO, NEGLIGENCIA O RESPONSABILIDAD OBJETIVA NO EXCEDERÁ EN NINGÚN CASO EL COSTO DEL PRODUCTO CUBIERTO POR LA PRESENTE. NINGUNA PERSONA SE ENCUENTRA AUTORIZADA A ASUMIR EN NUESTRO NOMBRE NINGUNA RESPONSABILIDAD EN RELACIÓN CON LA VENTA DEL PRESENTE PRODUCTO.

Algunos estados no permiten la exclusión o limitación de daños consecucionales, incidentales o especiales, de manera que es posible que la limitación o exclusión anterior no resulte de aplicación en su caso. La presente garantía limitada le proporciona derechos específicos, y es posible que usted tenga asimismo otros derechos que pueden variar en función del estado.