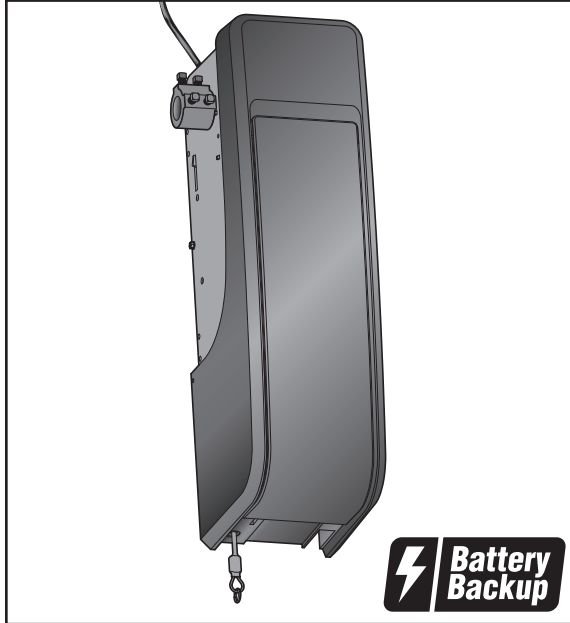


Wall Mount Wi-Fi® Garage Door Opener

Models 98022

For Residential Use
Install On Sectional Doors With Torsion Assemblies Only



This product is intended for installation only by trained garage door technicians. This product may require adjustments to door springs and/or track configurations. This product is not intended for use on low headroom tracks with outside pick up drums or garage doors utilizing extension springs.

- Please read this manual and the enclosed safety materials carefully!
- The door **WILL NOT CLOSE** unless the Protector System® is connected and properly aligned.
- Periodic checks of the garage door opener are required to ensure safe operation.
- The model number is located on the front cover of the opener.
- This garage door opener is **ONLY** compatible with myQ® and Security+ 2.0® accessories.
- Attach warning labels to the location indicated on label.

Register your garage door opener to receive updates and offers from LiftMaster



1 Take a photo of the camera icon including the points (⊙).

2 Send it in by texting the photo to 71403 (US) or visit www.Liftmaster.photo (Global)

Download the free myQ® App



Monitor and control your garage from anywhere and get real-time alerts with peace of mind.

LiftMaster
300 Windsor Drive
Oak Brook, IL 60523



LiftMaster

Table of Contents

PREPARATION	2				
myQ Serial Number	2	Install Automatic Door Lock	10	PROGRAMMING	29
Safety Symbol and Signal Word Review	2	Install the Door Control (Smart Control Panel®)	11	893MAX Remote Control.....	29
Unattended Operation	2	Install myQ Remote LED Light	12	Program the myQ Remote LED Light.....	30
Planning	3	Install the Protector System	13	To Erase the Memory	30
Before You Connect with Your Smartphone	4	Connect Power.....	16	HomeLink®.....	31
Preparing Your Garage Door	5	Align the Safety Reversing Sensors	17	MAINTENANCE	32
Tools Needed	5	Install the Battery Backup	18	Care of Your Garage Door Opener.....	32
Carton Inventory	6	ADJUSTMENT	19	TROUBLESHOOTING	33
Additional Items You May Need	6	Identify Door Profile.....	19	Diagnostic Chart.....	33
ASSEMBLY	7	Set Door Profile.....	20	Additional Troubleshooting.....	34
Attach the Collar to the Garage Door Opener	7	Program the Travel	21	REPAIR PARTS	36
Attach Mounting Bracket to Garage Door Opener.....	8	Automatic Force Set Up	21	Installation Parts	36
INSTALLATION	8	Test the Safety Reversal System	22	Garage Door Opener Assembly Parts.....	37
Position and Mount the Garage Door Opener	9	Test the Protector System	22	CONTACT INFORMATION	37
Attach the Emergency Release Rope and Handle	10	Test the Power Door Lock	23	ACCESSORIES	38
		Test the Emergency Release.....	23	WARRANTY	39
		OPERATION	24	Automatic Garage Door Opener Safety & Maintenance Guide	40
		Using Your Garage Door Opener	25		
		Connect with Your Smartphone	26		
		Using the Door Control	27		

Preparation

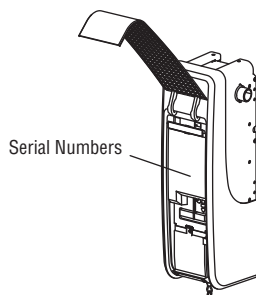
myQ Serial Number

Write down the following information for future reference:

myQ Serial Number:

Product Serial Number:

Date of Purchase:



Safety Symbol and Signal Word Review

This garage door opener has been designed and tested to offer safe service provided it is installed, operated, maintained and tested in strict accordance with the instructions and warnings contained in this manual.

When you see these Safety Symbols and Signal Words on the following pages, they will alert you to the possibility of **serious injury or death** if you do not comply with the warnings that accompany them. The hazard may come from something mechanical or from electric shock. Read the warnings carefully.

When you see this Signal Word on the following pages, it will alert you to the possibility of damage to your garage door and/or the garage door opener if you do not comply with the cautionary statements that accompany it. Read them carefully.



WARNING: This product can expose you to chemicals including lead, which are known to the State of California to cause cancer or birth defects or other reproductive harm. For more information go to www.P65Warnings.ca.gov.

WARNING

Mechanical

WARNING

Electrical

CAUTION

Unattended Operation

The Timer-to-Close (TTC) feature, the myQ Smartphone Control app, and myQ Garage Door and Gate Monitor are examples of unattended close and are to be used ONLY with sectional doors. Any device or feature that allows the door to close without being in the line of sight of the door is considered unattended close. The Timer-to-Close (TTC) feature, the myQ Smartphone Control, and any other myQ devices are to be used ONLY with sectional doors.

myQ Remote LED Light must be installed to enable use of Timer To Close or myQ Smartphone Control of the door.

Preparation

Planning

Survey your area to see if any of the conditions below apply to your installation. Take note of the drum sizes to make sure they are correct. Depending on your requirements, additional materials may be required.

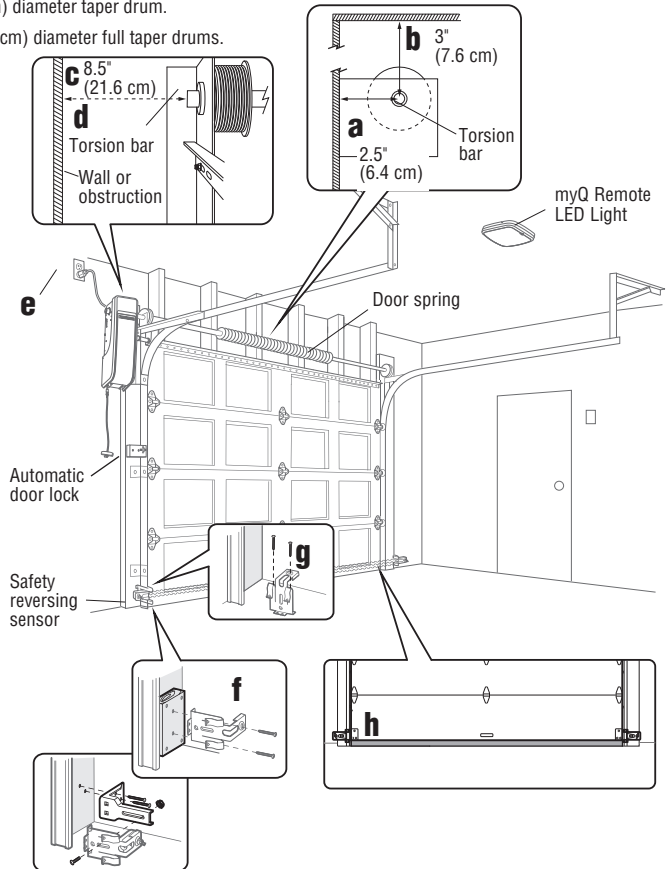
THIS DOOR OPENER IS COMPATIBLE WITH:

- Doors that use a torsion bar and springs. The torsion bar must be 1" (2.5 cm) diameter. NOT compatible with reverse wound drums.
- Standard lift sectional doors using 4-6" (10-15 cm) diameter drums.
- 4-6" (10-15 cm) straight drums.
- 3 to 3.9 inch (7.6cm to 9.9cm) drums may be used on doors up to 430 lbs. (195.4Kgs)
- High lift (up to 54" (137.2 cm) high) and standard lift sectional doors up to 14 ft. (4.3 m) high.
- High lift sectional doors using 8" (20 cm) diameter taper drum.
- Vertical lift sectional doors using 8" (20 cm) diameter full taper drums.
- Doors up to 18 ft. (5.5 m) wide.

Review or inspect proposed installation area. The door opener can be installed on the left or right side of door. Select the side that meets the requirements listed below.

- Must have minimum of 2.5" (6.4 cm) between the wall and the center of the torsion bar.
- Must have minimum of 3" (7.6 cm) between the ceiling and the center of torsion bar.
- Must have minimum of 8.5" (21.6 cm) between the side wall (or obstruction) and the end of torsion bar.
- The torsion bar must extend at least 1.5" (3.81 cm) past the bearing. This may vary depending on your installation requirements.
- An electric outlet is required within 6 ft. (1.83 m) of the installation area. If outlet does not exist, contact a qualified electrician.
- Depending upon building construction, extension brackets or wood blocks may be needed to install safety reversing sensors and cable tension monitor.
- Alternate floor mounting of the safety reversing sensors will require hardware (not provided).
- Check the seal on the bottom of the door. Any gap between the floor and the bottom of the door must not exceed 1/4 inch (6 mm). Otherwise, the safety reversal system may not work properly.

NOTE: Inspect the torsion bar while the door is raised and lowered. It is important that there is no noticeable movement up and down or left and right. If the movement is not corrected, the life of the garage door opener will be greatly reduced.



Preparation

Before You Connect with Your Smartphone

Monitor and control your garage door from anywhere using the myQ app.

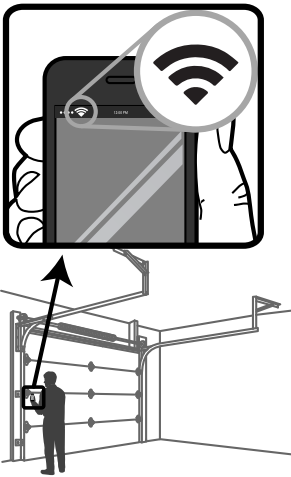
BEFORE YOU BEGIN:

You will need:

- Wi-Fi enabled smartphone, tablet or laptop
- Broadband Internet Connection
- Wi-Fi signal in the garage (**2.4 Ghz, 802.11b/g/n required**)
- Password for your home network (router's main account, not guest network)

TEST THE WI-FI SIGNAL STRENGTH

Make sure your mobile device is connected to your Wi-Fi network. Hold your mobile device in the place where your garage door opener will be installed and check the Wi-Fi signal strength.



Check Signal Strength. If you see:



Wi-Fi signal is strong.

The garage door opener will connect to your Wi-Fi network.



Wi-Fi signal is weak.

The garage door opener may connect to your Wi-Fi network. If not, try one of the options below to improve the Wi-Fi signal:



No Wi-Fi signal.

The garage door opener will not be able to connect to your Wi-Fi network. Try one of the options below to improve the Wi-Fi signal:

- Move your router closer to the garage door opener to minimize interference from walls and other objects
- Buy a Wi-Fi range extender

For compatible router specifications and help, visit www.LiftMaster.com/Customer-Support. See page 26 to connect the garage door opener to a mobile device.

Preparation

Preparing Your Garage Door

BEFORE YOU BEGIN:

- Disable locks.
- Remove any ropes connected to the garage door.

Complete the following test to make sure the garage door is balanced and is not sticking or binding:

1. Lift the door halfway up. Release the door. If balanced, it should stay in place, supported entirely by its springs.
2. Raise and lower the door to check for binding or sticking.
3. A properly balanced door should NOT open or fall rapidly.

If your door binds, sticks, or is out of balance, call a trained door systems technician.



Sectional Door

⚠ WARNING

To prevent possible **SERIOUS INJURY** or **DEATH**:

- ALWAYS call a trained door systems technician if garage door binds, sticks, or is out of balance. An unbalanced garage door may NOT reverse when required.
- NEVER try to loosen, move or adjust garage door, door springs, cables, pulleys, brackets or their hardware, ALL of which are under **EXTREME** tension.
- Disable ALL locks and remove ALL ropes connected to garage door BEFORE installing and operating garage door opener to avoid entanglement.
- This opener system is equipped with an unattended operation feature. The door could move unexpectedly. **NO ONE SHOULD CROSS THE PATH OF THE MOVING DOOR.**

⚠ CAUTION

To prevent damage to garage door and opener:

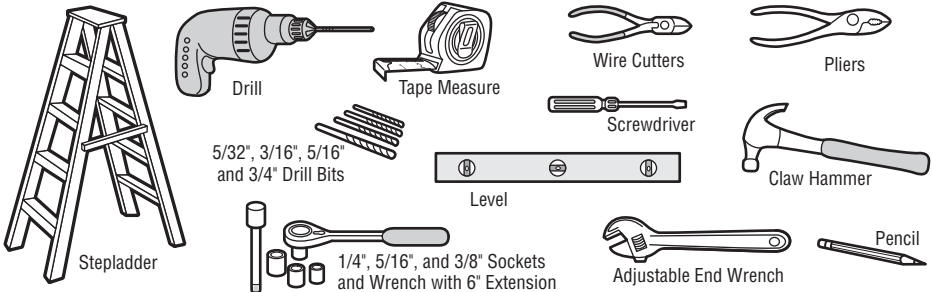
- ALWAYS disable locks BEFORE installing and operating the opener.
- ONLY operate garage door opener at 120V, 60 Hz to avoid malfunction and damage.

SPECIFICATIONS

Volts	120 Vac - 60 Hz, ONLY
Current	1.5 AMP
LED Light Current (independently powered)	0.2 AMPS

Tools Needed

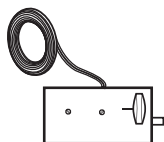
During assembly, installation and adjustment of the garage door opener, instructions will call for hand tools as illustrated below.



Preparation

Carton Inventory

If anything is missing, carefully check the packing material.

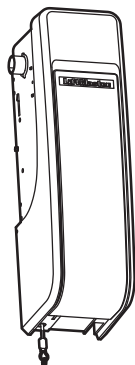


Automatic Garage Door Lock Model 841LM with 2-Conductor White and White/Black Bell Wire with Connector

NOTE: Older model 24V door locks are incompatible



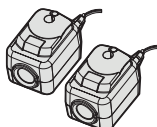
Mounting Bracket



Garage Door Opener



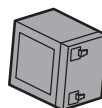
2 Conductor Bell Wire White and White/Red



The Protector System
(2) Safety Reversing Sensors
(1 Sending Sensor and
1 Receiving Sensor) with
2-Conductor White and
White/Black Bell Wire attached



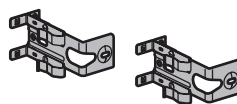
Collar with Set Screws



Battery Model 485LM



Safety Labels and Literature



Safety Reversing Sensor Bracket (2)

INCLUDED ACCESSORIES



Smart Control Panel®
Model 880LMW



3-Button Premium
Remote Control
Model 893MAX (1)



Remote Control
Visor Clip



myQ Remote LED Light
Model 827LM
(Garage Door Opener Light)
with Hardware Bag

HARDWARE

- Screw #10-32 (2)
- Screw 14-10x2" (2)
- Handle
- Rope
- Screw 1/4"-20x1/2" (2)

- Screw 6ABx1-1/4" (2)
- Drywall Anchor (2)
- Screw 6-32x1" (2)
- Carriage Bolt 1/4"-20x1/2" (2)
- Wing Nut 1/4"-20 (2)

REMOTE LIGHT HARDWARE:

- myQ Remote LED Light Model 827LM
- Drywall Anchor (Screw-In) (2)
- Screw #6x1" (2)

Additional Items You May Need

Extension brackets (Model 041A5281-1) or wood blocks: Depending upon garage construction, extension brackets or wood blocks may be needed to install the safety reversing sensor.

Fastening hardware: Alternate floor mounting of the safety reversing sensor will require hardware not provided.

90° connector for cable conduit or flex cable adapter: Required for permanent wiring.

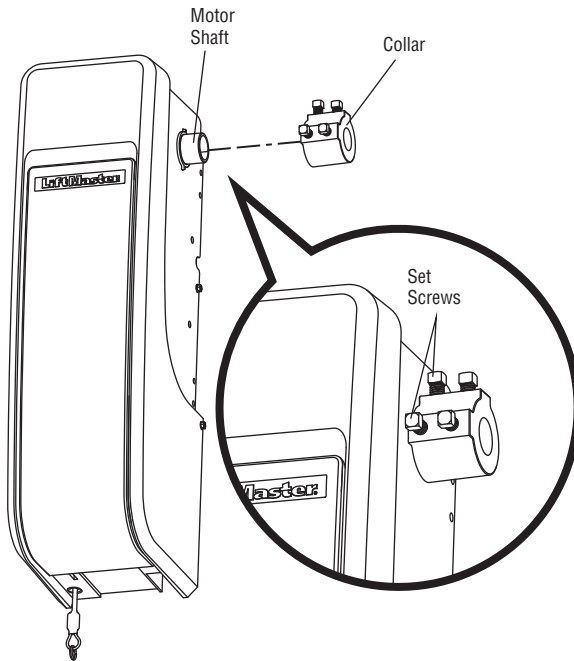
Assembly

1 Attach the Collar to the Garage Door Opener

To avoid installation difficulties, do not run the garage door garage door opener until instructed to do so.

The garage door opener can be installed on either side of the door (see Planning section page 3). The illustrations shown are for installation on the left side.

1. Loosen the set screws.
2. Attach collar to the garage door opener motor shaft. The side of the collar with the larger hole should be placed on the motor shaft. Ensure that the collar is seated all the way on motor shaft until stop is reached.
3. Position the collar so the screws are facing out and are accessible when attached to the torsion bar.
4. Securely tighten the 2 square head set screws closest to the motor shaft by turning the screws 1/4 - 1/2 turn after making contact with the motor shaft.



! WARNING

To prevent possible **SERIOUS INJURY** or **DEATH**, the collar **MUST** be properly tightened. The door may **NOT** reverse correctly or limits may be lost due to collar slip.

Assembly

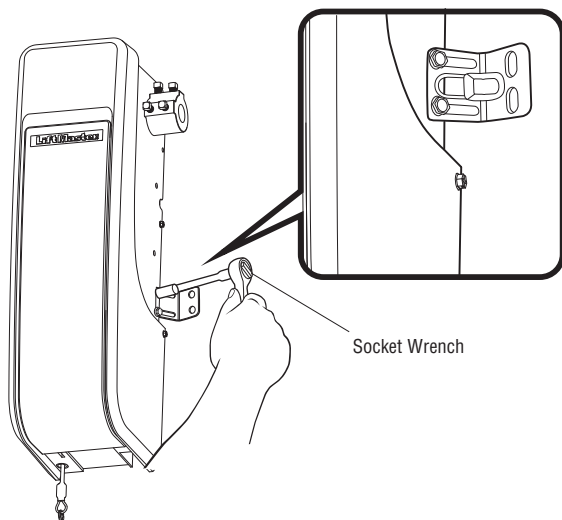
2 Attach Mounting Bracket to Garage Door Opener

1. Loosely attach slotted side of mounting bracket to the same side of the garage door opener as the collar, using screws provided.

NOTE: Do not tighten screws until instructed.

HARDWARE

Screw
#10-32 (2)



Installation

IMPORTANT INSTALLATION INSTRUCTIONS

⚠ ⚡ WARNING

To reduce the risk of SEVERE INJURY or DEATH:

1. Read and follow all warnings and instructions.
2. Install garage door opener ONLY on properly balanced and lubricated garage door. An improperly balanced door may NOT reverse when required and could result in SEVERE INJURY or DEATH.
3. ALL repairs to cables, spring assemblies and other hardware MUST be made by a trained door systems technician BEFORE installing opener.
4. Disable ALL locks and remove ALL ropes connected to garage door BEFORE installing opener to avoid entanglement.
5. Where possible, install the door opener 7 feet (2.13 m) or more above the floor.
6. Mount the emergency release within reach, but at least 6 feet (1.83 m) above the floor and avoiding contact with vehicles to avoid accidental release.
7. NEVER connect garage door opener to power source until instructed to do so.
8. NEVER wear watches, rings or loose clothing while installing or servicing opener. They could be caught in garage door or opener mechanisms.
9. Install wall-mounted garage door control:
 - within sight of the garage door.
 - out of reach of small children at a minimum height of 5 feet (1.53 m) above floors, landings, steps or any other adjacent walking surface.
 - away from ALL moving parts of the door.
10. Install the emergency release marking. Attach the marking on or next to the emergency release. Install the entrapment warning placard next to the door control in a prominent location.
11. Place emergency release/safety reverse test label in plain view on inside of garage door.
12. Upon completion of installation, test safety reversal system. Door MUST reverse on contact with a 1-1/2" (3.8 cm) high object (or a 2x4 laid flat) on the floor.
13. To avoid SERIOUS PERSONAL INJURY or DEATH from electrocution, disconnect ALL electric and battery power BEFORE performing ANY service or maintenance.
14. **SAVE THESE INSTRUCTIONS.**

Installation

1 Position and Mount the Garage Door Opener

NOTE: For additional mounting options refer to the accessories page.

1. Close the garage door completely.
2. Slide the garage door opener onto the end of the torsion bar. If the torsion bar is too long or damaged, you may need to cut the torsion bar.

Ensure the collar does **NOT** touch the bearing.

3. Use a level to position and vertically align the garage door opener. Verify the mounting bracket is located on a solid surface such as wood, concrete or door/frame bracket. If installing on drywall, the mounting bracket **MUST** be attached to a stud.
4. When the garage door opener is properly aligned, mark the mounting bracket holes. If necessary, tighten collar screws on the torsion bar to hold garage door opener in place while marking holes.

NOTE: The garage door opener does not have to be flush to wall.

5. Remove the garage door opener from torsion bar. Drill 3/16 inch pilot holes at the marked locations. Drill through metal door rail plates if necessary.
6. Slide the garage door opener back onto the torsion bar until pilot holes align with bracket.
7. Tighten the 2 square head set screws on the torsion bar. For a hollow torsion bar, tighten screws 3/4 - 1 full turn after making contact with the bar. For a solid shaft torsion bar, tighten screws 1/4 - no more than 1/2 turn after making contact with the shaft. If installing on a keyed torsion bar, **DO NOT** tighten the screws into the keyway.
8. Secure the mounting bracket to the wall and to the garage door opener. Use the 14-10 x 2" screws to secure the mounting bracket to the wall.

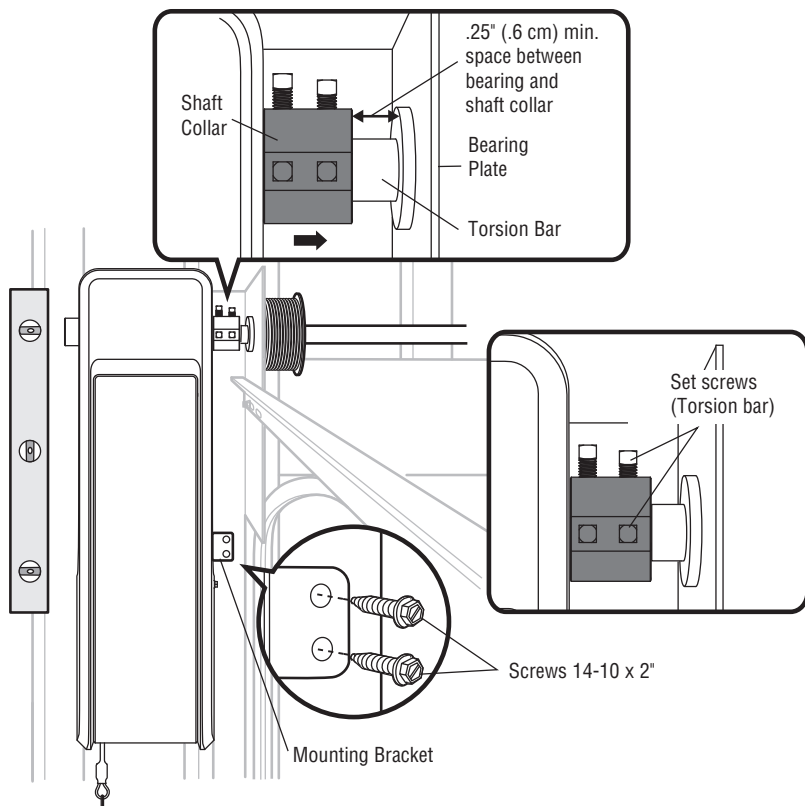
WARNING

To prevent possible **SERIOUS INJURY** or **DEATH**:

- Concrete anchors **MUST** be used if mounting bracket into masonry.
- **NEVER** try to loosen, move or adjust garage door, springs, cables, pulleys, brackets or their hardware, **ALL** of which are under **EXTREME** tension.
- **ALWAYS** call a trained door systems technician if garage door binds, sticks or is out of balance. An unbalanced garage door might **NOT** reverse when required.
- Garage door opener **MUST** be mounted at a right angle to the torsion bar to avoid premature wear on the collar.

HARDWARE

Screw
14-10 x 2" (2)



Installation

4 Install the Door Control (Smart Control Panel®)

Install door control within sight of garage door, out of reach of small children at a minimum height of 5 feet (1.5 m) above floors, landings, steps or any other adjacent walking surface, and away from ALL moving parts of door.

Your garage door opener is compatible with up to 2 Smart Control Panels or 4 of any other Security+ 2.0 door controls. **NOTE:** Older LiftMaster door controls and third party products are not compatible.

For gang box installations it is not necessary to drill holes or install the drywall anchors. Use the existing holes in the gang box.

1. Strip 7/16" (11 mm) of insulation from one end of the wire and separate the wires.
2. Connect one wire to each of the two screws on the back of the door control. The wires can be connected to either screw. **PRE-WIRED INSTALLATIONS:** Choose any two wires to connect, but make note of which wires are used.
3. Mark the location of the bottom mounting hole and drill a 5/32" (4 mm) hole.
4. Install the bottom screw, allowing 1/8" (3 mm) to protrude from the wall.
5. Position the bottom hole of the door control over the screw and slide down into place.
6. Lift the push bar up and mark the top hole.
7. Remove the door control from the wall and drill a 5/32" (4 mm) hole for the top screw.
8. Position the bottom hole of the door control over the screw and slide down into place. Attach the top screw.
9. Run the white and red/white wire from the door control to the garage door opener. Attach the wire to the wall and ceiling with the staples (not applicable for gang box or pre-wired installations). Do not pierce the wire with the staple as this may cause a short or an open circuit.
10. Connect the wire to the red and white terminals on the garage door opener. The wires can be connected to either terminal.
11. Fasten the warning placard to the wall next to the door control.

NOTE: DO NOT connect the power and operate the garage door opener at this time. The door will travel to the full open position but will not return to the close position until the safety reversing sensors are connected and properly aligned. See page 13.

⚠️ ⚡ WARNING

To prevent possible **SERIOUS INJURY** or **DEATH** from electrocution:

- Be sure power is **NOT** connected **BEFORE** installing door control.
- Connect **ONLY** to 7-28 VOLT low voltage wires.

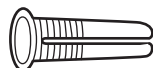
To prevent possible **SERIOUS INJURY** or **DEATH** from a closing garage door:

- Install door control within sight of garage door, out of reach of small children at a minimum height of 5 feet (1.5 m) above floors, landings, steps or any other adjacent walking surface, and away from **ALL** moving parts of door.
- **NEVER** permit children to operate or play with door control push buttons or remote control transmitters.
- Activate door **ONLY** when it can be seen clearly, is properly adjusted, and there are no obstructions to door travel.
- **ALWAYS** keep garage door in sight until completely closed. **NEVER** permit anyone to cross path of closing garage door.

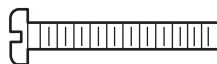
HARDWARE



Screw 6ABx1-1/4" (Standard installation) (2)

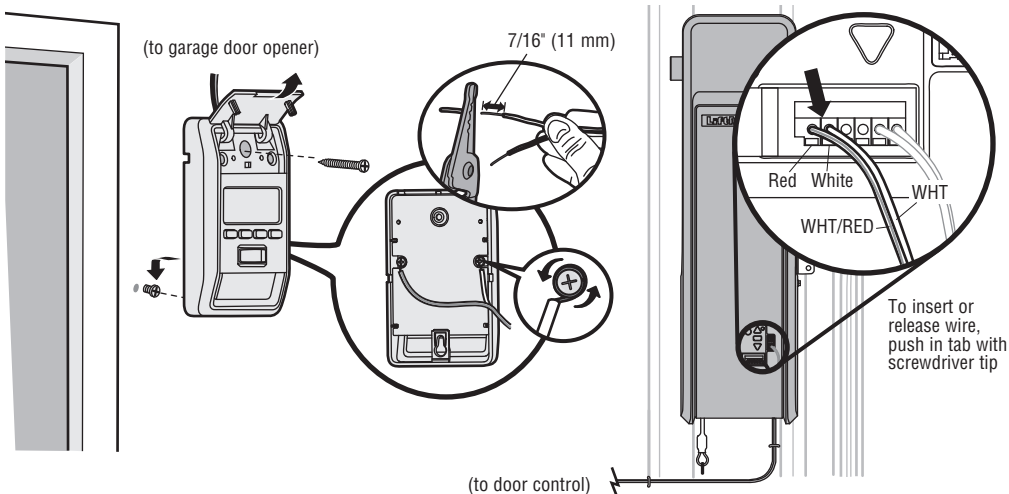


Drywall Anchors (2)



Screw 6-32x1" (pre-wired) (2)

Insulated Staples (Not shown)



Installation

IMPORTANT INSTALLATION INSTRUCTIONS

WARNING

To reduce the risk of SEVERE INJURY or DEATH:

- This portable luminaire has a polarized plug (one blade is wider than the other) as a feature to reduce the risk of electric shock.
- This plug will fit in a polarized outlet ONLY one way. If the plug does not fit fully in the outlet, reverse the plug. If it still does not fit, contact a qualified electrician.
- DO NOT alter the plug.
- Light is intended for ceiling or wall mount and indoor applications ONLY.

5 Install myQ Remote LED Light

The myQ Remote LED Light is designed to plug directly into a standard 120V outlet. Select an appropriate location on the ceiling or wall to mount the light within 6 feet (1.83 m) of an electrical outlet so that the cord and light are away from moving parts.

NOTE: If installing light on drywall and a ceiling joist cannot be located, use drywall anchors provided. No pilot hole is required for drywall anchors.

1. Drill pilot holes 6-1/8" (15.6 cm) apart if mounting to joist.

OR

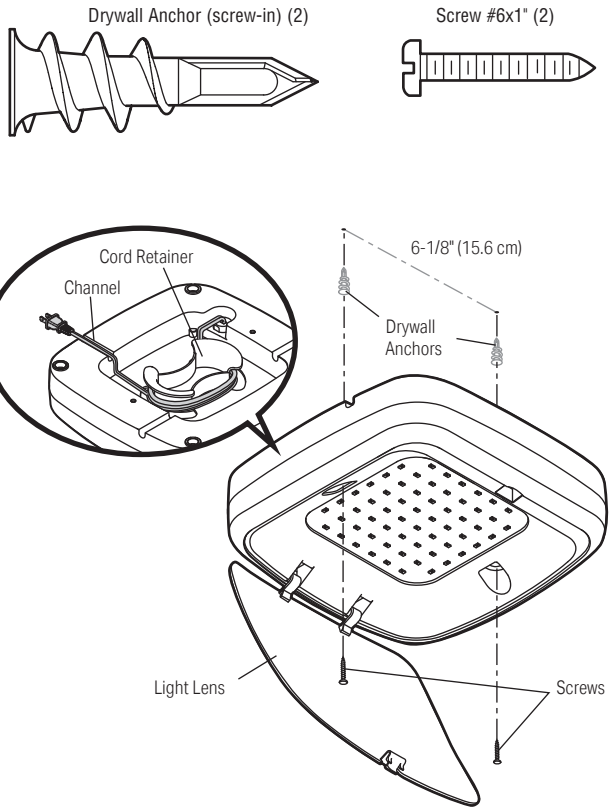
Screw in drywall anchors 6-1/8" (15.6 cm) apart if mounting to drywall.

2. Determine the length of power cord needed to reach the nearest outlet. Wind any excess cord around cord retainer on the top side of the light base. Route the cord through the channel so the light mounts flush.
3. Open the light lens.
4. Mount the light with the screws provided.
5. Close the light lens.
6. Plug in the light to the outlet.

NOTE: The LED light is very bright. DO NOT stare at the light while on a ladder.

Your garage door opener remote light has already been programmed at the factory to operate with your opener. Any additional or replacement remote lights will need to be programmed.

HARDWARE



Installation (continued)

6 Install the Protector System®

The safety reversing sensor must be connected and aligned correctly before the garage door will move in the down direction. This is a required safety device and cannot be disabled.

IMPORTANT INFORMATION ABOUT THE SAFETY REVERSING SENSOR

When properly connected and aligned, the safety reversing sensor will detect an obstacle in the path of its electronic beam. The sending sensor (with an amber indicator light) transmits an invisible light beam to the receiving sensor (with a green indicator light). If an obstruction breaks the light beam while the door is closing, the door will stop and reverse to full open position.

The sensors must be installed inside the garage so that the sending and receiving sensors face each other across the door, no more than 6 inches (15 cm) above the floor. Either sensor can be installed on the left or right of the door as long as the sun never shines directly into the receiving sensor lens.

The mounting brackets are designed to clip onto the track of sectional garage doors without additional hardware.

If it is necessary to mount the sensors on the wall, the brackets must be securely fastened to a solid surface such as the wall framing. Extension brackets (see accessories) are available if needed. If installing in masonry construction, add a piece of wood at each location to avoid drilling extra holes in masonry if repositioning is necessary.

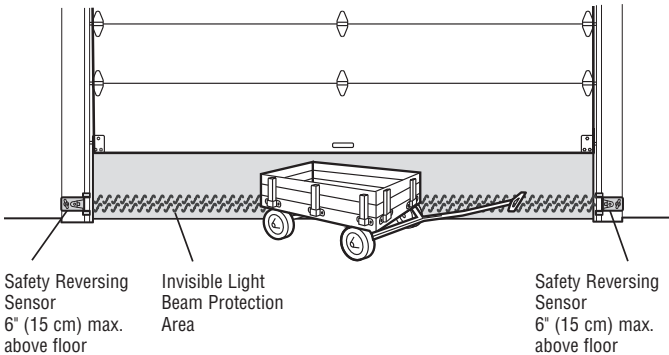
The invisible light beam path must be unobstructed. No part of the garage door (door tracks, springs, hinges, rollers or other hardware) may interrupt the beam while the door is closing.

WARNING

Be sure power is NOT connected to the garage door opener BEFORE installing the safety reversing sensor.

To prevent **SERIOUS INJURY** or **DEATH** from a closing garage door:

- Correctly connect and align the safety reversing sensor. This required safety device **MUST NOT** be disabled.
- Install the safety reversing sensor so beam is **NO HIGHER** than 6" (15 cm) above garage floor.



Facing the door from inside the garage.

Installation (continued)

INSTALLING THE BRACKETS

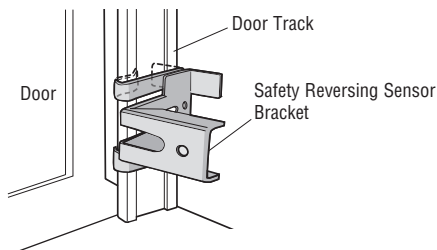
The brackets house the safety reversing sensors in a fixed, secure position so the safety reversing sensors will face each other across the garage door, with the beam no higher than 6" (15 cm) above the floor. Be sure power to the opener is disconnected.

Choose one of the following installations.

OPTION A: Track Installation (Recommended)

1. Slip the curved arms over the rounded edge of each door track, with the curved arms facing the door, and make sure brackets measure no higher than 6" (15 cm) above the floor.
2. Snap bracket into place against the side of the track. It should lie flush, with the lip hugging the back edge of the track, as shown.

If your door track will not support the bracket securely, see Option B: Wall Installation.

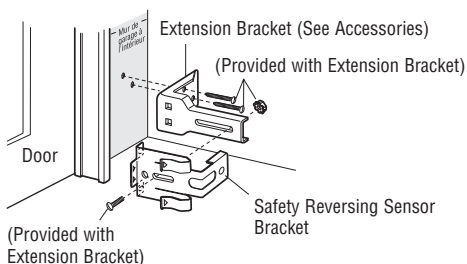
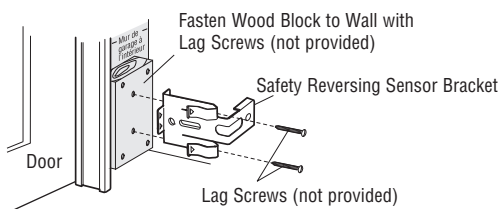


OPTION B: Wall Installation

1. Place the bracket against the wall with curved arms facing the door. Be sure there is enough clearance for the sensor beam to be unobstructed.
2. If additional depth is needed, an extension bracket (Model 041A5281-1) or wood blocks can be used. See Accessories section.
3. Use bracket mounting holes as a template to locate and drill (2) 3/16" diameter pilot holes on the wall at each side of the door, no higher than 6" (15 cm) above the floor.
4. Attach brackets to wall with lag screws (not provided).

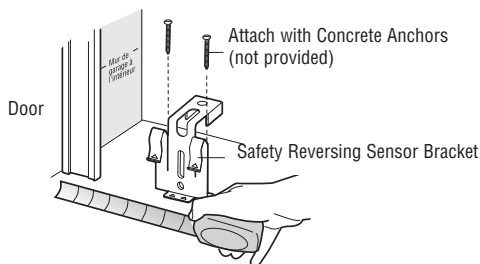
If using extension brackets or wood blocks, adjust right and left assemblies to the same distance out from the mounting surface. Make sure all door hardware obstructions are cleared.

If Option B will not work, see Option C: Floor Installation.



OPTION C: Floor Installation

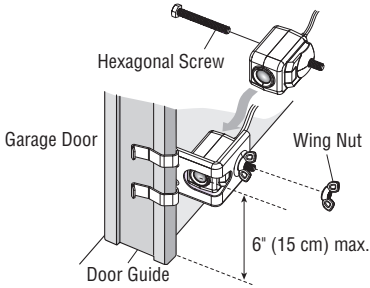
1. Use wood blocks or extension brackets (see Accessories) to elevate sensor brackets so the lenses will be no higher than 6" (15 cm) above the floor.
2. Carefully measure and place right and left assemblies at the same distance out from the wall. Be sure all door hardware obstructions are cleared.
3. Fasten to the floor with concrete anchors as shown.



Installation (continued)

MOUNTING THE SAFETY REVERSING SENSORS

1. Slide a 10-24 hexagonal screw into the slot on each sensor.
2. Use wing nuts to fasten safety reversing sensors to brackets, with lenses pointing toward each other across the door. Be sure the lens is not obstructed by a bracket extension.
3. Finger tighten the wing nuts.



HARDWARE

Hexagonal Screw 10-24 (2)



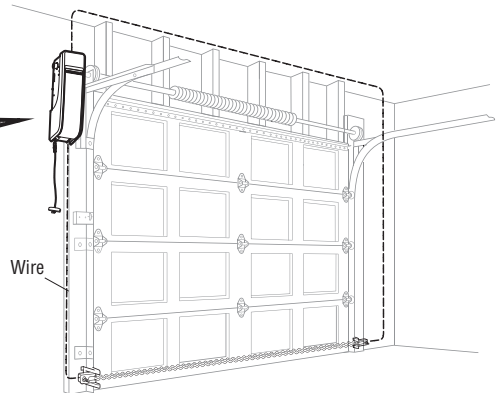
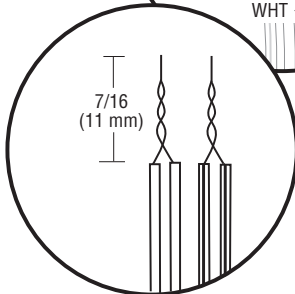
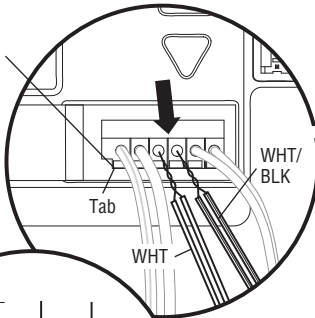
Wing Nut 10-24 (2)

WIRE THE SAFETY REVERSING SENSORS

The receiving sensor has a shorter length of wire and should be mounted on the same side as the operator. If sunlight interference occurs, the receiving sensor can be moved to the other side of the door opening by cutting the wires of the sending sensor and the receiver sensor and reconnecting the wires.

1. Run the wire from both sensors to the garage door opener. Securely affix the wire to the wall and ceiling with staples (not provided).
2. Strip 7/16 inch (11 mm) of insulation from each set of wires. Separate white from the black wires. Twist the white wires together. Twist the white/black wires together.
3. On the garage door opener, push the tab with a screwdriver tip to insert the white wires into the white terminal and the white/black wires into the grey terminal.

To insert or release wire, push in tab with screwdriver tip



Installation (continued)

7 Connect Power

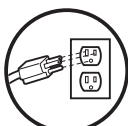
To avoid installation difficulties, do not run the garage door opener at this time.

To reduce the risk of electric shock, your garage door opener has a grounding type plug with a third grounding pin. This plug will only fit into a grounding type outlet. If the plug doesn't fit into the outlet you have, contact a qualified electrician to install the proper outlet.

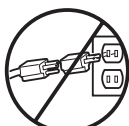
There are two options for connecting power:

OPTION A: TYPICAL WIRING

1. Plug in the garage door opener into a grounded outlet.
2. DO NOT run garage door opener at this time.



RIGHT

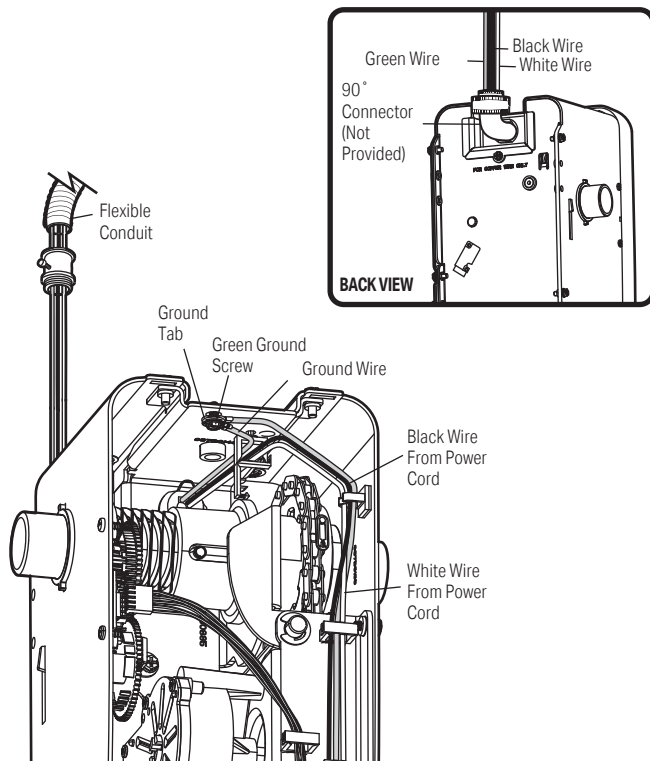


WRONG

OPTION B: PERMANENT WIRING CONNECTION

If permanent wiring is required by your local code, refer to the following procedure.

1. To make a permanent connection through the 7/8 inch hole in the back of the garage door opener (according to local code):
2. Be sure power is NOT connected to the opener, and disconnect power to circuit.
3. Remove the garage door opener from the torsion bar, remove cover screws and set the cover aside.
4. Cut the line cord 6" (15.2 cm) above the strain relief.
5. Squeeze the strain relief and push into garage door opener, then remove the strain relief from the line cord.
6. Install a 90° conduit (not provided) or flex cable adapter (not provided) to the 7/8" hole. Reinstall garage door opener to torsion bar.
7. Run wires through conduit, cut to proper length and strip insulation.
8. Strip 1/2" (1.3 cm) of insulation from the existing black, white and green wires.
9. Connect the line to the black wire and neutral to the white wire with wire nuts (not provided). Connect ground wire to the green ground screw.
10. Properly secure wires under plastic ties so that they do not come into contact with moving parts.
11. Reinstall cover.



⚡ WARNING

To prevent possible SERIOUS INJURY or DEATH from electrocution or fire:

- Be sure power is NOT connected to the opener, and disconnect power to circuit BEFORE removing cover to establish permanent wiring connection.
- Garage door installation and wiring MUST be in compliance with ALL local electrical and building codes.
- NEVER use an extension cord, 2-wire adapter or change plug in ANY way to make it fit outlet. Be sure the opener is grounded.

Installation (continued)

8 Align the safety reversing sensors

The door will not close if the sensors have not been installed and aligned correctly.

NOTE: After finishing the installation, **do not operate this opener at this time.**

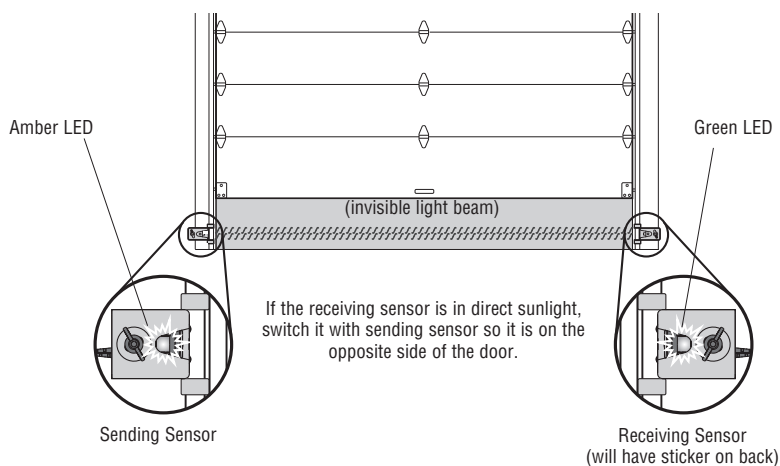
See **Set Door Profile** and **Program the Travel** for setting the door drum size and travel limits. Both of these processes are critical to safe and proper operation. Failure to follow these instructions can result in opener and door damage!

The LEDs in both sensors must be glowing steady, which indicates they are powered and aligned correctly. The sending sensor (with an amber LED) transmits an invisible light beam to the receiving sensor (with a green LED). If an obstruction breaks the light beam while the door is closing, the door will stop and reverse to the full open position. If the door is already open, it will not close.

TO ALIGN SENSORS:

The sensors can be aligned by loosening the wing nuts, aligning the sensors, and tightening the wing nuts.

If the LEDs are not glowing steadily:



- Check that both sensors are installed inside the garage, one on either side of the door.
- Check that sensors are facing each other with the lenses aligned and the receiving sensor light does not receive direct sunlight.
- Check that sensors have the same measurement, no higher than 6" above the floor.

Amber LED is not lit:

- Check there is power to the garage door opener.
- Check the sensor wire is not shorted/broken.
- Check the sensor has been wired correctly: white wires to white terminal and white/black wires to grey terminal.

Green LED is not lit:

- Check that the sensor wire is not shorted/broken.
- Check that the sensors are aligned.

Installation

9 Install the Battery Backup

When in Battery Backup mode, myQ Smartphone Control and wireless myQ devices will be disabled. In battery backup mode, the automatic garage door lock will unlock when the garage door is opened, and will remain disabled until power is restored.

1. Unplug the garage door opener.
2. Use a Phillips head screwdriver to remove the battery cover on the garage door opener.
3. Partially insert the battery into the battery compartment with the terminals facing out.
4. Connect red (+) and black (-) wires from the garage door opener to the corresponding terminals on the battery.
5. Replace battery cover and route antenna into channel.
6. Plug in the garage door opener.

BATTERY STATUS LED

GREEN LED:

All systems are normal.

- A solid green LED light indicates the battery is fully charged.
- A blinking green LED indicates the battery is being charged.

ORANGE LED:

The garage door opener has lost power and is in battery backup mode.

- A solid orange LED with beep, sounding approximately every 2 seconds, indicates the garage door opener is operating on battery power.
- A blinking orange LED with beep, sounding every 30 seconds, indicates the battery is low.

RED LED:

The garage door opener's 12V battery needs to be replaced.

- A solid red LED with beep, sounding every 30 seconds, indicates the 12V battery will no longer hold a charge and needs to be replaced. Replace the battery back up to maintain the battery backup feature.

NOTE: Battery does not have to be fully charged to operate the garage door opener.

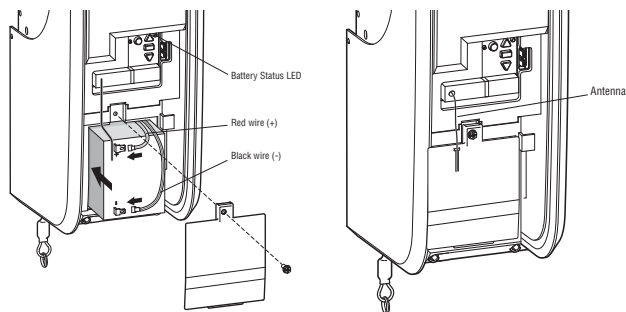
WARNING

To reduce the risk of FIRE or INJURY to persons:

- Disconnect ALL electric and battery power BEFORE performing ANY service or maintenance.
- Use ONLY LiftMaster part #485LM for replacement battery.
- DO NOT dispose of battery in fire. Battery may explode. Check with local codes for disposal instructions.

CAUTION

ALWAYS wear protective gloves and eye protection when changing the battery or working around the battery compartment.



NOTE: Be sure the short antenna is not pinched by the battery door and held in place as shown.

Adjustment

1 Identify Door Profile

To identify the door profile number, measure the full drum diameter based on the images below.

NOTE: This step is important to ensure the proper operation of the unit.

To view a video demonstration of how to identify and set the door profile, scan the QR code.



WARNING

To prevent possible **SERIOUS INJURY** or **DEATH**, follow instructions to select and set door profile for safe and proper operation.

Standard Lift Sectional Door

- Door Profile 1 = Standard to Heavy Weight Door* with a 4" drum (Recommended).
- Door Profile 2 = Light Weight Door with a 4" drum.
- Door Profile 3 = Heavy Weight Door* with a 6" drum.
- Door Profile 4 = Light Weight Door with a 6" drum.

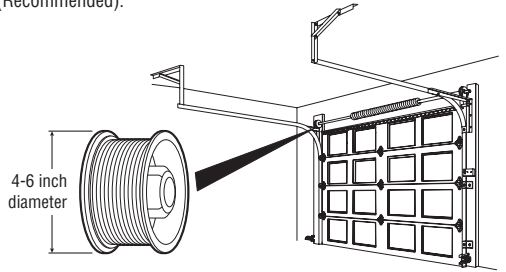
* *NOTE: Drum sizes may vary by manufacturer.*

For Standard Lift Sectional Doors:

• *Drums less than or equal to 5", use 4" drum.*

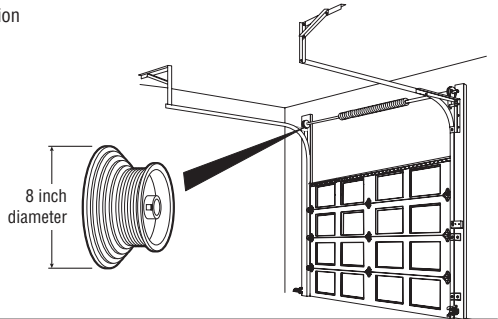
• *Drums more than 5", use 6" drum.*

Standard to Heavy Weight doors are those with solid wood interiors, wood veneer exteriors, glass windows, insulation, and/or decorations.



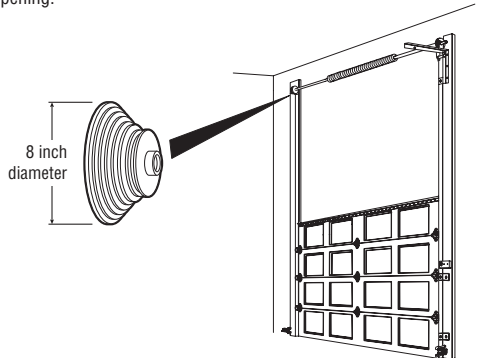
High Lift Door

- Door Profile 5 = Tapered drum with rails that raise to a higher elevation



Vertical Lift Sectional Door

- Door Profile 5 = Tapered Drum with rails raising vertically above the opening.



Adjustment

2 Set Door Profile

1. To enter Set Door Profile mode, press and hold the black button for one second. The UP and DOWN buttons turn a solid color.
2. To set Door Profile, press the UP and DOWN buttons. The Learn LED button blinks and beeps as you change the setting.
3. The number of Learn LED button blinks indicates which profile you have selected. There is no preset door profile setting.

Blinks	Drum Size	Door Type	Unbalanced Door Weight
1	4"	Sectional	> 180 lbs.
2	4"	Sectional	< 180 lbs.
3	6"	Sectional	> 400 lbs.
4	6"	Sectional	< 400 lbs.
5	8"	High lift or vertical	N/A

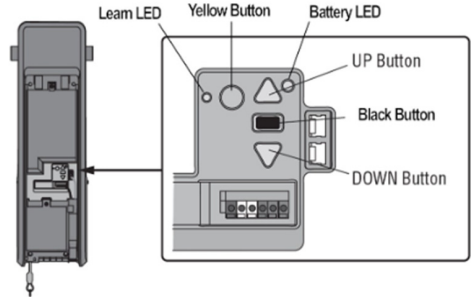
4. Press and release the Black button to set the Door Profile. This process is now complete. Proceed to the Travel Learn mode.

EXITING DOOR PROFILE NUMBER SETTING

If there is no selection within 4.5 minutes, the Door Profile selection mode will be cancelled with a long beep.

WARNING

To prevent possible SERIOUS INJURY or DEATH, after ANY changes to the door profile, reprogram limits.



Adjustment

3 Program the Travel

WARNING

Without a properly installed safety reversal system, persons (particularly small children) could be **SERIOUSLY INJURED** or **KILLED** by a closing garage door.

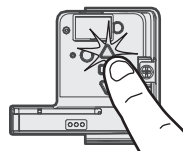
- Incorrect adjustment of garage door travel limits will interfere with proper operation of safety reversal system.
- After ANY adjustments are made, the safety reversal system **MUST** be tested. Door **MUST** reverse on contact with 1-1/2" (3.8 cm) high object (or 2x4 laid flat) on floor.

NOTE: While programming the travel, the UP and DOWN buttons can be used to move the door as needed. During the Automatic Force Setup, the door will automatically open and close.

- 1** Press and hold the UP Button until the door is in the desired UP position.



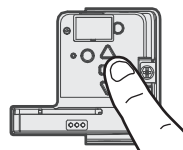
- 2** Once the door is in the desired UP position press and release the Adjustment Button. The garage door opener lights will blink twice and the DOWN Button will begin to flash.



- 3** Press and hold the DOWN Button until the door is in the desired DOWN position.



- 4** Once the door is in the desired DOWN position press and release the Adjustment Button. The garage door opener lights will blink twice. Program the Travel is now complete. If the garage door opener lights blink 5 times, then programming has timed out and the Travel Limits have not been set. Please restart the Program the Travel process.



4 Automatic Force Set Up

Once both the up and down positions have been manually set, the Safety Reversing Sensors will reconnect and become operational. Then, the opener will enter a force-sensing operation by automatically moving the door open and close. The garage door opener will sound an audible and visual alert before automatically opening and closing the door. The garage door opener will beep three times, confirming that the Automatic Force Setup completed successfully. Adjustment is complete.

If you hear one long beep after the door attempts to move, then the Automatic Force Set Up has not completed successfully. Please start over at step 1 of Program the Travel.



Adjustment

5 Test the Safety Reversal System

WARNING

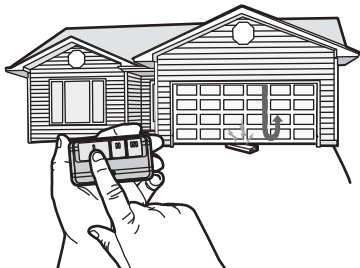
Without a properly installed safety reversal system, persons (particularly small children) could be **SERIOUSLY INJURED** or **KILLED** by a closing garage door.

- Safety reversal system **MUST** be tested every month.
- After **ANY** adjustments are made, the safety reversal system **MUST** be tested. Door **MUST** reverse on contact with 1-1/2" high (3.8 cm) high object (or 2x4 laid flat) on the floor.

- 1 With the door fully open, place a 1-1/2 inch (3.8 cm) board (or a 2x4 laid flat) on the floor, centered under the garage door.



- 2 Press the remote control push button to close the door. The door **MUST** reverse when it makes contact with the board.



If the door stops but does not reverse:

1. Repeat Program the Travel (see Adjustment Step 1);
2. Repeat the Safety Reversal test.

If the test continues to fail, call a trained door systems technician.

6 Test the Protector System®

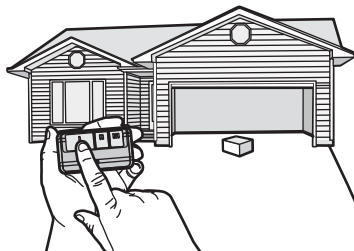
WARNING

Without a properly installed safety reversing sensor, persons (particularly small children) could be **SERIOUSLY INJURED** or **KILLED** by a closing garage door.

- 1 Open the door. Place an obstruction in the path of the door.



- 2 Press the remote control push button to close the door. The door will not move more than an inch (2.5 cm).



The garage door opener will not close from a remote control if the LED in either safety reversing sensor is off (alerting you to the fact that the sensor is misaligned or obstructed).

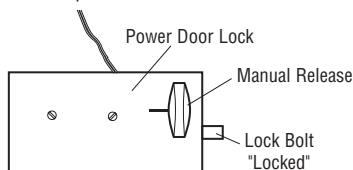
If the garage door opener closes the door when the safety reversing sensor is obstructed (and the sensors are no more than 6 inches [15 cm] above the floor), call for a trained door systems technician.

Adjustment (continued)

7 Test the Power Door Lock

1. With the door fully closed, check to ensure that the power lock bolt is visible protruding through the track.
2. Press the button on the remote control to open the garage door. The power door lock should retract before the door begins to move.
3. Press the button on the remote control to close the garage door. When the door reaches the fully closed position, the power door lock should automatically activate to secure the door.

NOTE: The power door lock can be manually released by sliding the manual release handle to the open position. However, if the power door lock does not function, contact Chamberlain for a replacement.



WARNING

To prevent possible **SERIOUS INJURY** or **DEATH** from a falling garage door:

- If possible, use emergency release handle to disengage door **ONLY** when garage door is **CLOSED**. Weak or broken springs or unbalanced door could result in an open door falling rapidly and/or unexpectedly.
- **NEVER** use emergency release handle unless garage doorway is clear of persons and obstructions.

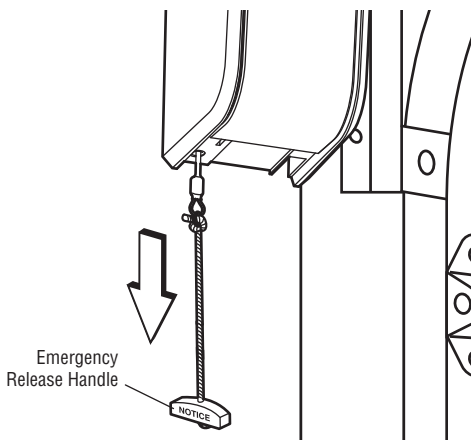
8 Test the Emergency Release

OPEN THE DOOR MANUALLY:

1. Close the garage door. Slide the manual release handle on power door lock to open before proceeding.
2. Pull down on the emergency release handle until you hear a click.
3. Lift the door manually.

RECONNECT THE DOOR TO THE GARAGE DOOR OPENER:

1. Pull down on the emergency release handle until you hear a click. The door will reconnect on the next UP or DOWN operation.



IMPORTANT SAFETY INSTRUCTIONS



To reduce the risk of SEVERE INJURY or DEATH:

1. Read and follow all warnings and instructions.
2. ALWAYS keep remote controls out of reach of children. NEVER permit children to operate or play with garage door control push buttons or remote controls.
3. ONLY activate garage door when it can be seen clearly, it is properly adjusted, and there are no obstructions to door travel.
4. ALWAYS keep garage door in sight and away from people and objects until completely closed. NO ONE SHOULD CROSS THE PATH OF THE MOVING DOOR.
5. NO ONE SHOULD GO UNDER A STOPPED, PARTIALLY OPENED DOOR.
6. If possible, use emergency release handle to disengage trolley ONLY when garage door is CLOSED. Use caution when using this release with the door open. Weak or broken springs or unbalanced door could result in an open door falling rapidly and/or unexpectedly and increasing the risk of SEVERE INJURY or DEATH.
7. NEVER use emergency release handle unless garage doorway is clear of persons and obstructions.
8. NEVER use emergency release handle to pull garage door open or closed. If rope knot becomes untied, you could fall.
9. After ANY adjustments are made, the safety reversal system MUST be tested.
10. Safety reversal system MUST be tested every month. Garage door MUST reverse on contact with 1-1/2" high (3.8 cm) object (or a 2x4 laid flat) on the floor. Failure to adjust the garage door opener properly increases the risk of SEVERE INJURY or DEATH.
11. ALWAYS KEEP GARAGE DOOR PROPERLY BALANCED. An improperly balanced door may NOT reverse when required and could result in SEVERE INJURY or DEATH.
12. ALL repairs to cables, spring assemblies and other hardware, ALL of which are under EXTREME tension, MUST be made by a trained door systems technician.
13. ALWAYS disconnect electric power to garage door opener BEFORE making ANY repairs or removing covers.
14. This garage door opener system is equipped with an unattended operation feature. The door could move unexpectedly. NO ONE SHOULD CROSS THE PATH OF THE MOVING DOOR.
15. **SAVE THESE INSTRUCTIONS.**

Operation

Using Your Garage Door Opener

FEATURES

Your garage door opener is equipped with features to provide you with greater control over your garage door operation.

Alert2Close

The Alert2Close feature provides a visual and an audible alert that an unattended door is closing.

TIMER-TO-CLOSE (TTC)

The TTC feature automatically closes the door after a specified time period that can be adjusted using a TTC enabled door control (Models 881LMW or 880LMW). Prior to and during the door closing the garage door opener lights will blink and the garage door opener will beep. myQ Remote LED Light must be installed to use TTC or myQ to control the door.

myQ

myQ allows you to control your garage door opener from your mobile device or computer from anywhere. myQ technology uses a 900Mhz signal to provide two way communication between the garage door opener and myQ enabled accessories.

The garage door opener has an internal gateway that allows the garage door opener to communicate directly with a home Wi-Fi network and access your myQ account.

THE PROTECTOR SYSTEM (SAFETY REVERSING SENSORS)

When properly connected and aligned, the safety reversing sensors will detect an obstruction in the path of the infrared beam. If an obstruction breaks the infrared beam while the door is closing, the door will stop and reverse to full open position. If the door is fully open, and the safety reversing sensors are not installed, or are misaligned, the door will not close from a remote control. However, you can close the door if you hold the button on the door control or keyless entry until the door is fully closed. The safety reversing sensors do not affect the opening cycle. For more information see page 22.

LIGHTS

The garage door opener light will turn on when the opener is initially plugged in; power is restored after interruption, or when the garage door opener is activated. The light will turn off automatically after 4-1/2 minutes.

USING YOUR GARAGE DOOR OPENER

The garage door opener can be activated through a wall-mounted door control, remote control, wireless keyless entry or myQ accessory. When the door is closed and the garage door opener is activated the door will open. If the door makes contact with an obstruction or is interrupted while opening the door will stop, opener beeps and lights blink 5 times. When the door is in any position other than closed and the garage door opener is activated, the door will close. If the garage door opener makes contact with an obstruction while closing, the door will reverse. However, you can close the door if you hold the button on the door control or wireless keypad until the door is fully closed. The safety reversing sensors do not affect the opening cycle. The safety reversing sensor must be connected and aligned correctly before the garage door opener will move in the down direction.

BATTERY BACKUP

The battery backup system allows access in and out of your garage, even when the power is out. When the garage door opener is operating on battery power, the garage door opener will run slower, the light will not function, the Battery Status LED will glow solid orange, and a beep will sound approximately every 2 seconds.

MEMORY CAPACITY

SECURITY+ 2.0 ACCESSORIES	MEMORY CAPACITY
Remote Controls	Up to 40
Door Controls	Up to 2 Smart Control Panels or 4 of any other Security+ 2.0 door controls
Keyless Entries	Up to 4
myQ Accessories	Up to 16

Operation

Connect With Your Smartphone

The Wi-Fi Garage Door Opener is compatible with up to 16 myQ enabled accessories. Up to 10 devices can be paired to the Wi-Fi garage door opener's internal gateway. These devices can be controlled with the myQ app. These devices include any combination of myQ garage door openers, Wi-Fi garage door openers, myQ light controls, myQ gate operators or myQ commercial door operators. A LiftMaster Internet Gateway (828LM) can be added if you need to control more than 10 devices using the myQ app. Up to 6 devices can be paired to garage door opener itself (controlled by garage door opener through 900MHz). These devices include any combination of myQ light controls or a garage door and gate monitor.

You will need:

- Wi-Fi enabled smartphone, tablet or laptop
- Broadband Internet Connection
- Wi-Fi signal in the garage (**2.4 Ghz, 802.11b/g/n required**), see page 3
- Password for your home network (router's main account, not guest network)
- myQ serial number located on the garage door opener

SYNCHRONIZE THE DOOR CONTROL

To synchronize the door control to the garage door opener, press the push bar until the garage door opener activates (it may take up to 3 presses). The garage door opener must run through a complete cycle before it will activate Wi-Fi programming.

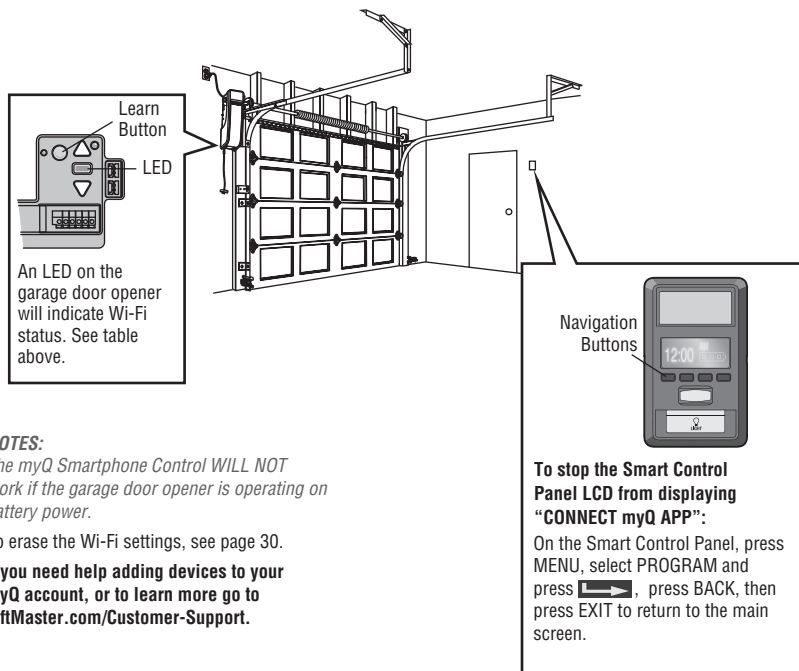
DOWNLOAD THE myQ APP TO SET UP AN ACCOUNT AND CONNECT

Open and close your door, get alerts and set schedules from anywhere. Connected smart garage door openers also receive software updates to ensure the opener has the latest operational features.

1. Download the myQ App.
2. Set up an account and connect.

For more information on connecting your garage door opener, visit LiftMaster.com/Customer-Support.

Wi-Fi Status	
LED	Definition
Blue	Off - Wi-Fi is not turned on. Blinking - Garage door opener is in Wi-Fi learn mode. Solid - Mobile device connected to the garage door opener.
Blue and Green	Blinking - Attempting to connect to router.
Green	Blinking - Attempting to connect to the Internet server. Solid - Wi-Fi has been set up and garage door opener is connected to the Internet.




NOTES:

The myQ Smartphone Control WILL NOT work if the garage door opener is operating on battery power.

To erase the Wi-Fi settings, see page 30.

If you need help adding devices to your myQ account, or to learn more go to LiftMaster.com/Customer-Support.

To stop the Smart Control Panel LCD from displaying "CONNECT myQ APP":

On the Smart Control Panel, press MENU, select PROGRAM and press , press BACK, then press EXIT to return to the main screen.

Operation

Using the Door Control

SYNCHRONIZE THE DOOR CONTROL

To synchronize the door control to the garage door opener, press the push bar until the garage door opener activates (it may take up to 3 presses). Test the door control by pressing the push bar, each press of the push bar will activate the garage door opener.

Up to 2 Smart Control Panels or 4 of any other Security+ 2.0 door controls can be connected to the garage door opener.

PUSH BAR

Press the push bar to open or close the door.

NAVIGATION BUTTONS

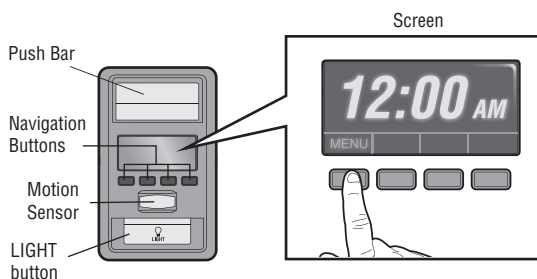
Use the navigation buttons to make selections and program features.

LIGHT BUTTON

Press the LIGHT button to turn the garage door opener lights on or off. When the lights are turned on they will stay on until the LIGHT button is pressed again, or until the garage door opener is activated. Once the garage door opener is activated the lights will turn off after the specified period of time (the factory setting is 4-1/2 minutes). The LIGHT button will not control the lights when the door is in motion.

SCREEN

The screen will display the time and temperature until the menu button is pressed, and then it will display the menu options. If there is a problem with the garage door opener the screen will display the Diagnostic Code. Refer to the Troubleshooting section.



The following features are accessible through the screen using the navigation buttons:

LEARN A DEVICE

Any compatible remote controls, wireless keyless entry, Wi-Fi garage door openers, or myQ accessories can be programmed to the garage door opener by accessing the menu and using the navigation buttons.

LOCK

The LOCK feature is designed to prevent activation of the garage door opener from remote controls while still allowing activation from the door control and keyless entry. This feature is useful for added peace of mind when the home is empty (i.e. vacation).

TIMER-TO-CLOSE (TTC)

DO NOT enable TTC if operating a one-piece door. TTC is to be used ONLY with sectional doors. Factory default is set to off. TTC can be set to automatically close your garage door from the fully open position after a specified period of time (1, 5, 10 minute intervals or a custom setting up to 99 minutes). The garage door opener will beep and the lights will blink before closing the door. The screen on the door control can display the status of the TTC. TTC WILL NOT work if the garage door opener is operating by battery power or if the safety reversing sensors are misaligned. This feature is NOT intended to be the primary method of closing the door. **A keyless entry should be installed in the event of an accidental lock out when using this feature.** myQ Remote LED Light must be installed to use TTC or myQ to control the door.

NOTE: Before enabling the TTC for the first time, or if you experience a power outage, cycle the garage door opener open and closed to allow the TTC to set.

AUTOMATIC LIGHT

Motion Sensor

Factory default is set to on. This feature automatically turns on the garage door opener lights when motion is sensed. The lights will come on for the set period of time, then shut off. If using the garage door opener light as a work light disable the motion sensor, otherwise the light will turn off automatically if you are beyond the range of the sensor.

MAINTENANCE ALERT (MAS)

This feature assists the homeowner in ensuring the garage door opener system stays in good working condition. When the garage door opener needs to be serviced (approximately 4500 garage door opener cycles) the command (yellow) and service (red) LEDs will begin to alternately blink back and forth. The factory setting for the MAS feature is off and can be activated at time of installation. Contact your installing dealer for service.

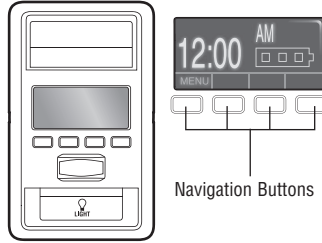
Operation

SETUP

The features on the door control can be programmed through a series of menus on the screen and the navigation buttons. Refer to the descriptions below.

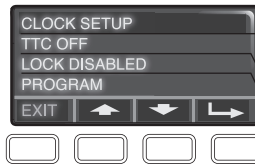
SCREEN

The main screen displays the time, temperature, and current battery charge (if applicable)



FEATURES

Press the navigation button below "MENU" to view the Features menu.



Set the time, choose 12 or 24 hour clock and show/hide clock.

For sectional doors ONLY. Set the Timer-to-Close feature off/on and set the time interval before door closes. **NOTE: DO NOT enable TTC if operating a one-piece door. TTC is to be used ONLY with sectional doors.**

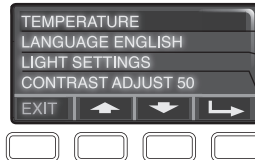
Enable/disable lock.

Set up Wi-Fi*, add remote controls, myQ devices, an extra remote button to control your garage door opener lights, or a keyless entry.

* The garage door opener must run through a complete cycle before it will activate Wi-Fi programming. For help related to Wi-Fi, visit WiFiHelp.LiftMaster.com.

SETTINGS

Press the navigation button below the down arrow till you see TEMPERATURE to view the Settings menu.



Display the temperature in Fahrenheit or Celsius and show/hide the temperature.

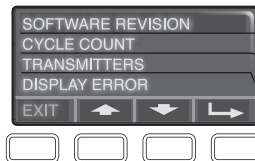
Select a language.

Set duration for garage door opener light to stay on after operation, selectable range of 1-1/2 to 4-1/2 minutes. Turn the Motion sensor off/on, and turn the entry light feature off/on.

Adjust the contrast of the screen.

SERVICE

Press and hold the LIGHT button, then press the second navigation button to view the Service menu.



Displays software version information.

Turn the Maintenance Alert (MAS) on/off.

Displays the number of remote controls, myQ devices, door controls and keyless entries currently programmed to operate the garage door opener.

Displays any errors that have occurred.

To program a remote control or keyless entry to the garage door opener using the door control, see page 29.

Programming

893MAX Remote Control

Your remote control has been programmed at the factory to operate with your garage door opener. If the remote does not work or you would like to program additional devices, follow the programming steps below.

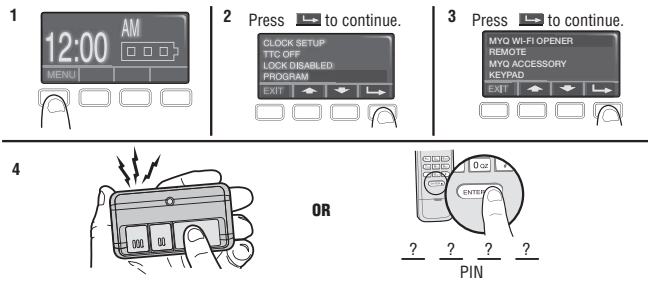
Up to 40 Security+ 2.0 remote controls can be programmed to the garage door opener. Older LiftMaster remote controls are NOT compatible, see page 38 for compatible accessories. Programming can be done through the door control or the learn button on the garage door opener. To program additional accessories refer to the instructions provided with the accessory or visit LiftMaster.com. If your vehicle is equipped with a Homelink, you may require an external adapter depending on the make, model, and year of your vehicle. Visit www.homelink.com for additional information.

TO ADD, REPROGRAM, OR CHANGE A 893MAX REMOTE CONTROL/877LM KEYLESS ENTRY PIN USING THE DOOR CONTROL

1. Press the navigation button below "MENU" to view the Features menu.
2. Use the navigation buttons to scroll to "PROGRAM".
3. Select "REMOTE" or "KEYPAD" to program from the program menu.
4. **Remote Control:** Press the button on the remote control that you wish to operate your garage door.

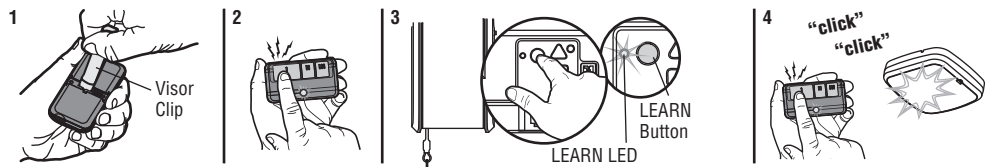
Keyless Entry: Enter a 4-digit personal identification number (PIN) of your choice on the keyless entry keypad. Then press the ENTER button.

The garage door opener lights will blink (or two clicks will be heard) when the code has been programmed. Repeat the steps above for programming additional remote controls or keyless entry devices. If programming is unsuccessful, program the remote using the learn button.



PROGRAM A 893MAX REMOTE CONTROL USING THE LEARN BUTTON ON THE GARAGE DOOR OPENER

1. Press and hold the program button on the remote control until the LED on the front of the remote control turns on.
2. Press and release the remote control button you wish to use and then press any other button to exit programming.
3. Press and release the Learn button on the garage door opener. The Learn LED will light. Within 30 seconds...
4. Press the remote control button programmed in step 2 until the garage door opener light blinks or two clicks are heard.



To program other types of remote controls or keyless entries see the instructions included with the device or visit LiftMaster.com/Customer-Support.

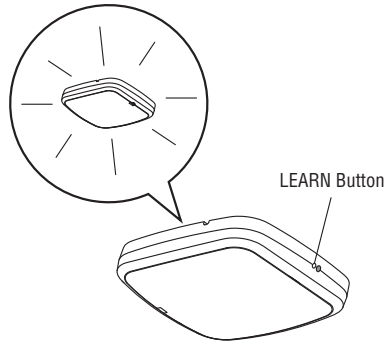
Programming

Program the myQ Remote LED Light

Your garage door opener remote light has already been programmed at the factory to operate with your opener. Any additional or replacement remote lights will need to be programmed.

PROGRAM A DOOR OPENER TO THE myQ REMOTE LED LIGHT

1. Press the LEARN button on the light until the green LED comes ON.
2. Press the LEARN button on the door opener. *OR* On the Smart Control Panel® go to Menu > Program > myQ Accessory.
3. The code has been programmed when the remote light blinks once.

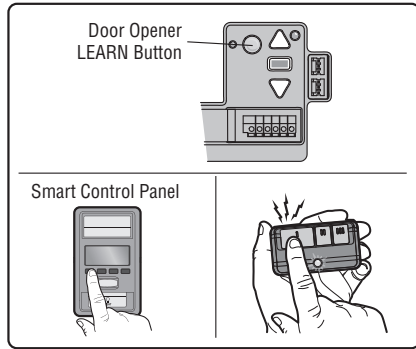


ADD THE myQ REMOTE LED LIGHT TO myQ ACCOUNT

1. Press the LEARN button on the light until the green LED comes ON.
2. Login to the myQ app and add the myQ Remote LED Light.

TO ERASE ALL PROGRAMMING FROM THE myQ REMOTE LED LIGHT

1. Press and hold the LEARN button until the LED turns off (6-10 seconds). All programming is now erased.



To Erase the Memory

ERASE ALL REMOTE CONTROLS AND KEYLESS ENTRIES

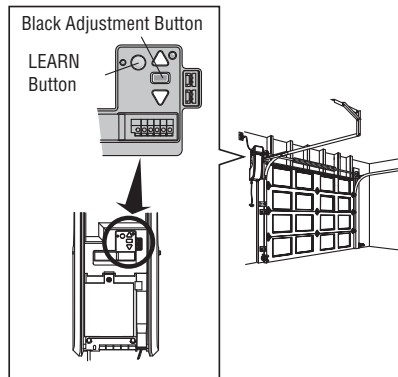
1. Press and hold the LEARN button on garage door opener until the learn LED goes out (approximately 6 seconds). All remote control and keyless entry codes are now erased. Reprogram any accessory you wish to use.

ERASE ALL DEVICES (Including myQ enabled accessories)

1. Press and hold the LEARN button on garage door opener until the learn LED goes out (approximately 6 seconds).
2. Immediately press and hold the LEARN button again until the learn LED goes out. All codes are now erased. Reprogram any accessory you wish to use.

ERASE THE WI-FI NETWORK FROM THE GARAGE DOOR OPENER

1. Press and hold the black adjustment button on the garage door opener until 3 beeps are heard (Approximately 6 seconds).



ERASE A myQ ACCOUNT

Go to myLiftMaster.com/Customer-Support to delete your myQ account.

Programming

HomeLink®

In the rare case the HomeLink system does not program with the Security+ 2.0 Garage door opener, install a repeater kit. Refer to HomeLink instructions below.

HomeLink is the in-vehicle system. The image used is for reference only and your product may look different.

WHEN TO INSTALL A HOMELINK REPEATER KIT

All 2006 and Older vehicles – A repeater kit is required and must be purchased by the homeowner.

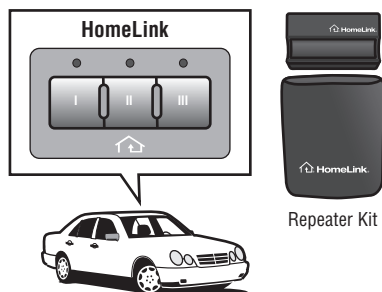
All 2007 and Newer vehicles – Program the HomeLink according to the vehicle instructions. If after ONE attempt to program the HomeLink to the garage door opener and you are unsuccessful, install a repeater.

HOW TO ORDER

Order the HomeLink repeater kit from an installer or call 1-800-355-3515. To program the HomeLink repeater kit, refer to the instructions provided in the kit or visit: <http://www.homelink.com/program>.

ADJUSTMENT QUICK FACTS

- Only one repeater kit is required per home.
- Use different HomeLink buttons in vehicle if programming multiple cars, button 1 first car, button 2 second car... etc.
- HomeLink remote is NOT a garage door opener.
- If you are using the HomeLink repeater with a garage door opener that has a battery backup system, ensure your original garage door opener remote control is programmed to the garage door opener and place it in your glove box for use in the event of a power outage.
- The remote included in this repeater kit MUST be kept for future programming (new vehicle, new garage door opener etc).



Maintenance

Care of Your Garage Door Opener

MAINTENANCE SCHEDULE

EVERY MONTH

- Manually operate door. If it is unbalanced or binding, call a trained door systems technician.
- Check to be sure door opens and closes fully. Adjust limits if necessary (see Adjustment Step 1).
- Repeat the safety reversal test. Make any necessary adjustments (see Adjustment Step 2).

EVERY YEAR

- Oil door rollers, bearings and hinges. The garage door opener does not require additional lubrication. Do not grease the door tracks.

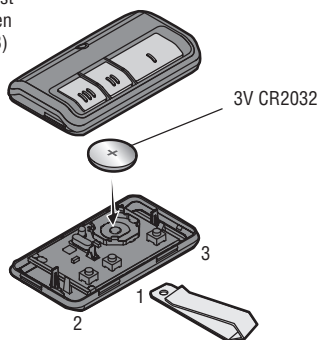
myQ Remote LED Light

- Unplug the light before cleaning.
- Use a lightly dampened cloth for cleaning.
- DO NOT use liquid cleaners on the light lens.

THE REMOTE CONTROL BATTERY

The LED(s) on your remote control will stop blinking when the battery is low and needs to be replaced. To replace battery, open the case as shown. Insert battery positive side up (+). Replace the battery with only 3V CR2032 coin cell batteries. Dispose of old battery properly.

Pry open the case first in the middle (1), then at each side (2 and 3) with the visor clip.



WARNING

To prevent possible **SERIOUS INJURY** or **DEATH**:

- NEVER allow small children near batteries.
- If battery is swallowed, immediately notify doctor.

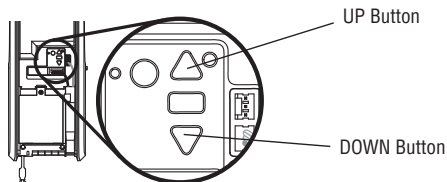
To reduce risk of fire, explosion or chemical burn:

- Replace **ONLY** with 3V CR2032 coin batteries.
- **DO NOT** recharge, disassemble, heat above 212° F (100° C) or incinerate.

Troubleshooting

Diagnostic Chart

Your garage door opener is programmed with self-diagnostic capabilities. The UP and DOWN arrows on the garage door opener blink the diagnostic codes.



DIAGNOSTIC CODE		SYMPTOM	SOLUTION
Up Arrow Blink(s)	Down Arrow Blink(s)		
1	1	The garage door opener will not close.	Safety sensors are not installed, connected or wires may be cut. Inspect sensor wires for a disconnected or cut wire.
1	2	The garage door opener will not close.	There is a short or reversed wire for the safety sensors. Inspect safety sensor wire at all staple points and connection points and replace wire or correct as needed.
1	3	The door control will not function.	The wires for the door control are shorted or the door control is faulty. Inspect door control wires at all staple points and connection points and replace wire or correct as needed.
1	4	The garage door opener will not close, and the lights blink.	Safety sensors are misaligned or were momentarily obstructed. Realign both sensors to ensure both LEDs are steady and not flickering. Make sure nothing is hanging or mounted on the door that would interrupt the sensors path while closing.
1	5	Door moves 6-8" (15-20 cm) stops or reverses.	Manually open and close the door. Check for binding or obstructions, such as a broken spring or door lock, correct as needed. Check wiring connections at travel module and at the logic board. Replace travel module if necessary.
		No movement, only a single click.	Manually open and close the door. Check for binding or obstructions, such as a broken spring or door lock, correct as needed. Replace logic board if necessary.
		Opener hums for 1-2 seconds no movement.	Manually open and close the door. Check for binding or obstructions, such as a broken spring or door lock, correct as needed. Replace motor if necessary.
1	6	Door coast after it has come to a complete stop.	Program travel to coasting position or have door balanced by a trained technician.
2	1-5	No movement or sound.	Replace logic board.
3	1	The garage door opener moves slightly, then stops	Activate the garage door opener again. If problem persists, replace logic board.
3	3	The battery status LED is constantly blinking green.	Battery backup charging circuit error, replace logic board.
3	5	The garage door will not close. Door reverses during close travel direction only.	<ul style="list-style-type: none"> • Check that the CTM Learn is appropriate to the installation. • Check for possible door obstructions and remove. • Replace defective CTMs with good CTMs to clear the error code (see optional CTM accessory).
4	1-4	Door is moving, stops or reverses. Opener beeps and lights blink.	Manually open and close the door. Check for binding or obstructions, such as a broken spring or door lock, correct as needed. If the door is binding or sticking contact a trained door systems technician. If door is not binding or sticking attempt to reprogram travel.
4	5	Opener runs approximately 6-8" (15-20 cm), stops and reverses.	Communication error to travel module. Check travel module connections, replace module if necessary.
4	6	The garage door opener will not close, and the lights blink.	Safety sensors are misaligned or were momentarily obstructed. Realign both sensors to ensure both LEDs are steady and not flickering. Make sure nothing is hanging or mounted on the door that would interrupt the sensor's path while closing.
5	5	The door will not close when using Timer-to-Close or myQ Smartphone Control	myQ Remote LED Light must be installed to use TTC or myQ to control the door. Plug in the myQ Remote LED Light and make sure it is programmed to the garage door opener.

Troubleshooting

Additional Troubleshooting

The garage door opener doesn't operate from either the door control or the remote control:

- Does the garage door opener have electric power? Plug a lamp into the outlet. If it doesn't light, check the fuse box or the circuit breaker. (Some outlets are controlled by a wall switch.)
- Have you disabled all door locks? Review installation instruction warnings on page 8.
- Are the wiring connections correct? Review Installation Step 5.
- Is there a build-up of ice or snow under the door? The door may be frozen to the ground. Remove any restriction.
- The garage door spring may be broken. Have it replaced (see page 3 for reference).

The door opener operates from the single button control station, but not from a remote control:

- Reprogram the remote control and replace the battery if necessary. Repeat with all remote controls.

The door opens and closes by itself:

- Be sure that all remote control push buttons are off.
- Remove the bell wire from the single button control station terminals and operate from the remote only. If this solves the problem, the single button control station is faulty, or there is an intermittent short in the wire. Replace the control station.
- Erase the memory and reprogram all remote controls (refer to the instructions provided with the remote control or visit LiftMaster.com/Customer-Support).

My remote control will not activate the garage door:

- Verify the lock feature is not activated on the door control.
- Reprogram the remote control.
- If the remote control will still not activate the door check the diagnostic codes to ensure the garage door opener is working properly.

The remote control has short range:

- Change the location of the remote control in your car.
- Some installations may have shorter range due to a metal door, foil backed insulation, or metal garage siding.

The door stops or reverses to open limit and the opener beeps and lights flash 5 times:

- Is something obstructing the door? Is it out of balance, or are the springs broken? Remove the obstruction or call a trained door system technician to repair the door.

The door doesn't open completely:

- Check power door lock.

The door opens but won't close:

- The safety reversing sensor must be connected and aligned correctly before the door opener will move in the down direction. If you are able to close the door using constant pressure, verify the safety reversing sensors are properly installed, aligned and free of any obstructions (see page 13).

The door reverses for no apparent reason:

- Clear any ice or snow from the garage floor area where the door closes.
- Review Adjustment Step 1.

Repeat safety reverse test after adjustments.

My door will not close:

- The safety reversing sensor must be connected and aligned correctly before the garage door opener will move in the down direction.
 - Verify the safety reversing sensors are properly installed, aligned and free of any obstructions.

The garage door opener strains to operate door:

- The door may be out of balance or the springs may be broken. Close the door and use the emergency release handle to disconnect the door. Open and close the door manually. A properly balanced door will stay in any point of travel while being supported entirely by its springs. If it does not, disconnect the garage door opener and call a trained door systems technician.

The garage door opener motor hums briefly, then won't work:

- The garage door springs may be broken. See above.
- If the problem occurs on the first operation of the garage door opener, door may be locked. Disable the power door lock.

The garage door opener won't operate due to power failure:

- Manually open the power door lock.

Troubleshooting

Additional Troubleshooting (Continued)

- Use the emergency release handle to disconnect the door. The door can be opened and closed manually. When power is restored, pull manual release a second time.
- When in Battery Backup mode, the opener should be able to operate up to 20 times.
- Disable any door locks. Use the emergency release handle to disconnect the door. The door can be opened and closed manually. When power is restored, pull manual release a second time.
- When in battery backup mode, battery power will last for 30 hours or up to 20 cycles over a 24 hour period.

Door loses limits:

- Collar not tightened securely. Tighten collar and reprogram limits (see Adjustment Step 3).

The garage door opener moves when the door is in operation:

- Some minor movement is normal for this product. If it is excessive the collar will wear prematurely.
- Check to make sure the torsion bar is not moving left/right excessively.
- Check to make sure the torsion bar is not visibly moving up and down as it rotates.
- Check that the opener is mounted at a right angle to the jackshaft. If not, move the position of the mounting bracket.

Automatic door lock connector will not fit the door opener plug:

Older model 24V door locks are incompatible. Use automatic door lock model 841LM, see Accessories page

Automatic garage door lock does not activate when garage door opens or closes:

In battery backup mode, the automatic garage door lock will unlock when the garage door is opened, and will remain disabled until power is restored.

The door opener is beeping:

- Indicates unattended closure. The opener has been activated by the myQ App or the Garage and Gate Monitor.
- A solid orange LED with beep, sounding approximately every 2 seconds, indicates the door opener is operating on battery power.
- A blinking orange LED with beep, sounding every 30 seconds, indicates the battery is low.
- A solid red LED with beep, sounding every 30 seconds, indicates the 12V battery will no longer hold a charge and needs to be replaced.

The garage door is beeping and the red LED is blinking:

The battery charge is low or the battery is dead.

- Replace the battery.

myQ Smartphone Control, wireless myQ devices, and Timer-To-Close will not work:

- When in Battery Backup mode, myQ Smartphone Control, wireless myQ devices and Timer-To-Close will be disabled.
- myQ Remote LED Light must be installed to enable use of Timer-to-Close or myQ Smartphone Control of the door. Plug in the myQ Remote LED Light and make sure it is programmed to the garage door opener. It may take up to 5 minutes to enable Timer-to-Close and myQ Smartphone Control.

Door travels faster or slower than expected:

- Verify your drum setting is appropriate via the steps shown on page 19 in the manual.

Door speed varies over travel:

- Verify your drum setting is appropriate via the steps shown on page 19 in the manual.

Cable unspooling upon obstruction near top limit

- If cable unspools, please contact a Professional Door Dealer for service.

NOTICE: This device complies with part 15 of the FCC rules and Innovation, Science and Economic Development Canada license-exempt RSSs. Operation is subject to the following two conditions: (1) this device may not cause harmful interference, and (2) this device must accept any interference received, including interference that may cause undesired operation.

Any changes or modifications not expressly approved by the party responsible for compliance could void the user's authority to operate the equipment.

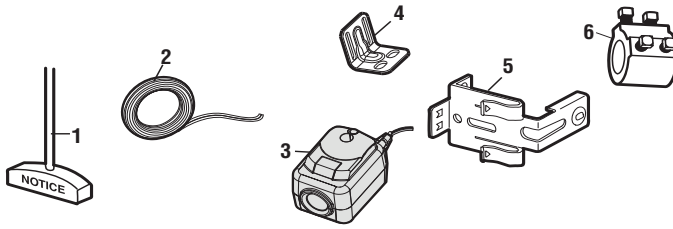
This device must be installed to ensure a minimum 20 cm (8 in.) distance is maintained between users/bystanders and device.

This device has been tested and found to comply with the limits for a Class B digital device, pursuant to part 15 of the FCC rules and Industry Canada ICES standard. These limits are designed to provide reasonable protection against harmful interference in a residential installation. This equipment generates, uses and can radiate radio frequency energy and, if not installed and used in accordance with the instructions, may cause harmful interference to radio communications. However, there is no guarantee that interference will not occur in a particular installation. If this equipment does cause harmful interference to radio or television reception, which can be determined by turning the equipment off and on, the user is encouraged to try to correct the interference by one or more of the following measures:

- Reorient or relocate the receiving antenna.
- Increase the separation between the equipment and receiver.
- Connect the equipment into an outlet on a circuit different from that to which the receiver is connected.
- Consult the dealer or an experienced radio/TV technician for help.

Repair Parts

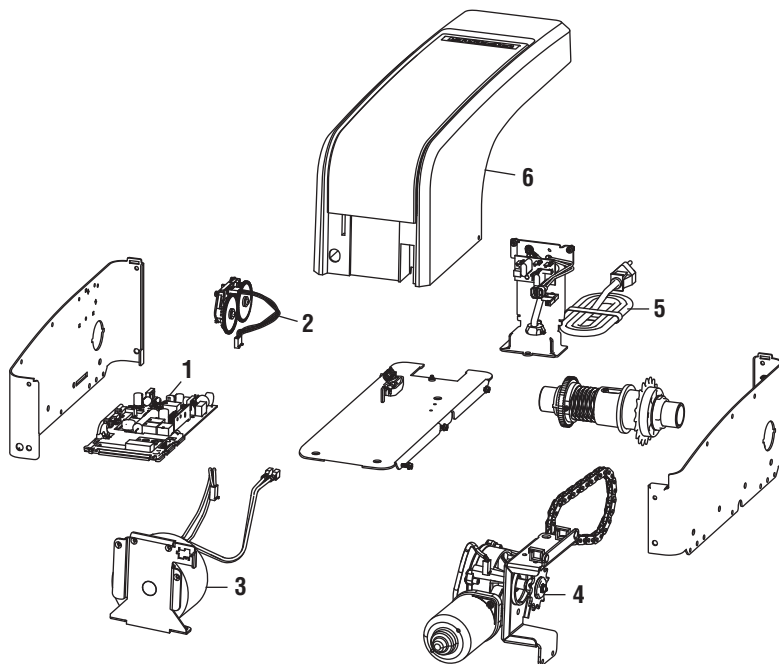
Installation Parts



KEY NO.	PART NO.	DESCRIPTION	KEY NO.	PART NO.	DESCRIPTION
1	041A4582	Emergency release rope and handle assembly	4	041C0902	Mounting bracket
2	041B4494-1	2-Conductor bell wire - white and white/red	5	041-0155-000	Safety reversing sensor brackets (2)
3	041-0136	Safety Reversing Sensor kit (receiving and sending sensors) with 2-conductor bell wire attached	6	041D8615	Collar with set screws
				114-5857-000	User's Guide
				114-5858-000	Quick Start Guide

Repair Parts

Garage Door Opener Assembly Parts



KEY NO.	PART NO.	DESCRIPTION	KEY NO.	PART NO.	DESCRIPTION
1	041DJ003MC	Logic board	5	041D0190	Power cord
2	041B8861	Travel module with wire harness	6	041-0407-000	Cover
3	041C0296	Transformer			NOT SHOWN
4	041D1624-2	Motor		041-0408-000	Battery door and logic board door

Contact Information

STOP!

This garage door opener WILL NOT work until the safety reversing sensors are properly installed and aligned.

Address repair parts order to:

LiftMaster
6020 S. Country Club Rd.
Tucson, AZ 85706

For installation and service information, visit us online at:

LiftMaster.com/Customer-Support

Before calling, please have the model number of the garage door opener. If you are calling about a troubleshooting issue, it is recommended that you have access to your garage door opener while calling. If you are ordering a repair part please have the following information: part number, part name, and model number.

Accessories

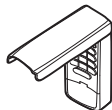
MAX ACCESSORIES

Compatible with LiftMaster garage door openers manufactured since 1993.

878MAX

Wireless Keyless Entry:

For use outside of the home to enable access to the garage using a 4-digit PIN.



374UT

Mini Universal Remote Control:

The Mini Universal Remote Control can be programmed to activate up to two products, such as a garage door opener, myQ light controls, gate operator, or commercial door operator.



893MAX

3-Button MAX Remote Control:

Includes visor clip.



myQ ACCESSORIES

827LM

myQ Remote LED Light:

Wireless light that can program to the door opener or a remote control.



STANDARD ACCESSORIES

885LM

Security+ 2.0 Wireless Door Control:

Push bar, light feature and auxiliary button. Includes battery.



891LM

Single Button Security+ 2.0 Remote Control:

Includes visor clip.



893LM

3-Button Security+ 2.0 Remote Control:

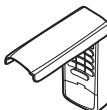
Includes visor clip.



877LM

Wireless Keyless Entry:

For use outside of the home to enable access to the garage using a 4-digit PIN.



485LM

Battery Backup:

Provides backup power to the door opener. The battery has enough power for 30 hours of standby power or up to 20 cycles over a 24 hour period.



041A5281-1

Extension Brackets:

(Optional) For safety reversing sensor installation onto the wall or floor.



480LM

Alternate Mounting Kit:

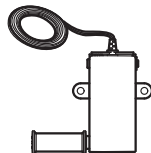
This kit allows model 8500WMC to be mounted below the torsion bar in the case where the torsion bar is not round or the normal mounting area is obstructed.



041A6104

Cable Tension Monitor:

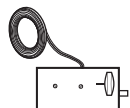
Cable tension monitor with 33 foot (10 m) cord.



841LM

Automatic Door Lock:

The automatic door lock is used to prevent the door from being manually opened once the door is fully closed.



Warranty

LIFTMASTER LIMITED WARRANTY

LiftMaster ("Seller") warrants to the first retail purchaser of this product, for the residence in which this product is originally installed, that it is free from defects in materials and/or workmanship for a specific period of time as defined below (the "Warranty Period"). The warranty period commences from the date of purchase.

WARRANTY PERIOD			
Parts	Motor	Accessories	Battery Backup
5 years	Lifetime	1 year	1 year

The proper operation of this product is dependent on your compliance with the instructions regarding installation, operation, and maintenance and testing. Failure to comply strictly with those instructions will void this limited warranty in its entirety.

If, during the limited warranty period, this product appears to contain a defect covered by this limited warranty, call 1-800-528-9131, toll free, before dismantling this product. You will be advised of disassembly and shipping instructions when you call. Then send the product or component, pre-paid and insured, as directed to our service center for warranty repair. Please include a brief description of the problem and a dated proof-of-purchase receipt with any product returned for warranty repair. Products returned to Seller for warranty repair, which upon receipt by Seller are confirmed to be defective and covered by this limited warranty, will be repaired or replaced (at Seller's sole option) at no cost to you and returned pre-paid. Defective parts will be repaired or replaced with new or factory rebuilt parts at Seller's sole option. [You are responsible for any costs incurred in removing and/or reinstalling the product or any component.]

ALL IMPLIED WARRANTIES FOR THE PRODUCT, INCLUDING BUT NOT LIMITED TO ANY IMPLIED WARRANTIES OF MERCHANTABILITY AND FITNESS FOR A PARTICULAR PURPOSE, ARE LIMITED IN DURATION TO THE APPLICABLE LIMITED WARRANTY PERIOD SET FORTH ABOVE FOR THE RELATED COMPONENT(S), AND NO IMPLIED WARRANTIES WILL EXIST OR APPLY AFTER SUCH PERIOD. Some States and Provinces do not allow limitations on how long an implied warranty lasts, so the above limitation may not apply to you. THIS LIMITED WARRANTY DOES NOT COVER NON-DEFECT DAMAGE, DAMAGE CAUSED BY IMPROPER INSTALLATION, OPERATION OR CARE (INCLUDING, BUT NOT LIMITED TO ABUSE, MISUSE, FAILURE TO PROVIDE REASONABLE AND NECESSARY MAINTENANCE, UNAUTHORIZED REPAIRS OR ANY ALTERATIONS TO THIS PRODUCT), LABOR CHARGES FOR REINSTALLING A REPAIRED OR REPLACED UNIT, REPLACEMENT OF CONSUMABLE ITEMS (E.G., BATTERIES IN REMOTE CONTROL TRANSMITTERS AND LIGHT BULBS), OR UNITS INSTALLED FOR NON-RESIDENTIAL USE. THIS LIMITED WARRANTY DOES NOT COVER ANY PROBLEMS WITH, OR RELATING TO, THE GARAGE DOOR OR GARAGE DOOR HARDWARE, INCLUDING BUT NOT LIMITED TO THE DOOR SPRINGS, DOOR ROLLERS, DOOR ALIGNMENT OR HINGES. THIS LIMITED WARRANTY ALSO DOES NOT COVER ANY PROBLEMS CAUSED BY INTERFERENCE. UNDER NO CIRCUMSTANCES SHALL SELLER BE LIABLE FOR CONSEQUENTIAL, INCIDENTAL OR SPECIAL DAMAGES ARISING IN CONNECTION WITH USE, OR INABILITY TO USE, THIS PRODUCT. IN NO EVENT SHALL SELLER'S LIABILITY FOR BREACH OF WARRANTY, BREACH OF CONTRACT, NEGLIGENCE OR STRICT LIABILITY EXCEED THE COST OF THE PRODUCT COVERED HEREBY. NO PERSON IS AUTHORIZED TO ASSUME FOR US ANY OTHER LIABILITY IN CONNECTION WITH THE SALE OF THIS PRODUCT.

Some states and provinces do not allow the exclusion or limitation of consequential, incidental or special damages, so the above limitation or exclusion may not apply to you. This limited warranty gives you specific legal rights, and you may also have other rights, which vary from state to state and province to province.

Automatic Garage Door Opener Safety & Maintenance Guide

Garage Door Opener Safety – An Automatic Decision

A garage door is the largest moving object in the home. An improperly adjusted garage door and opener can exert deadly force when the door closes – which could lead to entrapment of children or adults and subsequent injury or death.

Proper installation, operation, maintenance, and testing of the garage door and automatic opener are necessary to provide a safe, trouble-free system.

Careless operation or allowing children to play with or use garage door opener controls are also dangerous situations that can lead to tragic results. A few simple precautions can protect your family and friends from potential harm.

Please review the safety and maintenance tips in this brochure carefully and keep it for reference. Check the operation of your garage door and opener to ensure they function in a safe and trouble-free manner.

Be sure to read all Important Safety Information found in your garage door opener's manual as it provides more details and safety considerations than can be supplied with this brochure.

Garage Door Openers are Not Toys

Discuss garage door and opener safety with your children. Explain the danger of being trapped under the door.



Stay away from a moving door.



Keep transmitters and remote controls out of reach of children. Do not let children play with or use transmitters or other remote control devices.



The wall-mounted push button should be out of reach of children, at least 5 feet from the nearest standing surface and away from all moving parts. Mount and use the button where you can clearly see the closing garage door.



Keep the door in sight until it completely closes when using the wall-mounted push button or transmitter.

Routine Maintenance Can Prevent Tragedies

Make monthly inspection and testing of your garage door and opener system a part of your regular routine. Review your owner's manual for both the door and door opener. If you don't have the owner's manuals, contact the manufacturer(s) and request a copy for your specific model(s). Look for the opener model number on the back of the power unit.



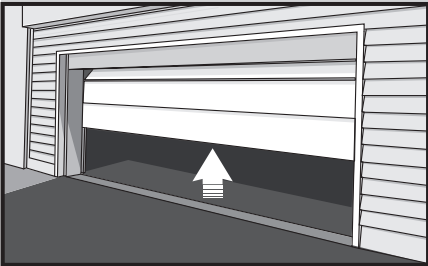
WARNING – Springs are under high tension. Only qualified individuals should adjust them.

Visually check the door and installation:



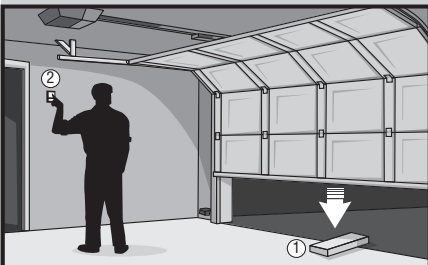
- Starting with the door in the closed position, use the manual disconnect on the opener to disconnect the door.
- Look for signs of wear or damage on hinges, rollers, springs, and door panels.
- These parts may require periodic lubrication. Check the owner's manual for suggested maintenance.
- If any signs of damage are evident, contact a trained door systems technician for assistance.
- Verify the photoeye height is no higher than 6" from the garage floor.

Test the door for proper operation:



- Open and close the door manually using handles or suitable gripping points.
- The door should move freely and without difficulty.
- **The door should balance and stay partially open 3–4 feet above the floor.**
- If you detect any signs of improper operation, contact a trained door systems technician for assistance.

Test the opener safety features:



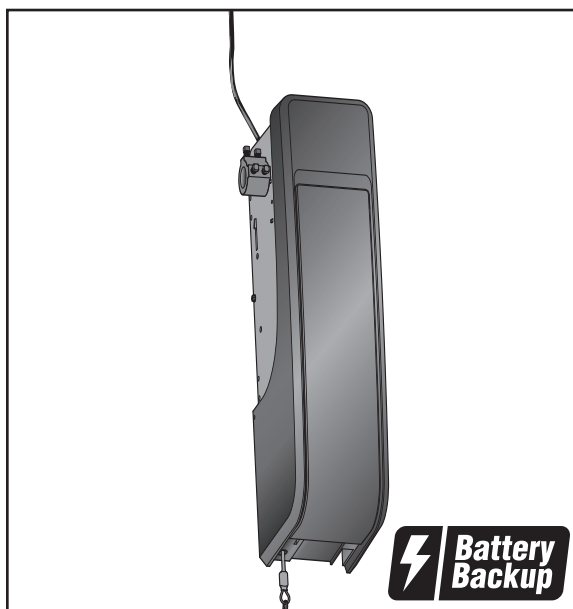
- Reconnect the opener to the door using the manual disconnect and open the door.
- Place a 2x4 board flat in the path of the door (1) and try to close it (2). The door should stop when it comes in contact with the 2x4 and then reverse direction.
- Block the photoelectric sensor by waving an object in front of the sensor and attempt to close the door. The door should not close unless the wall-mounted push button is manually held during operation.
- If the opener does not perform as described, contact a trained door systems technician for assistance.

Ouvre-porte de garage à support mural Wi-Fi®

Modèles 98022

Pour usage résidentiel

Installation sur portes sectionnelles avec assemblages de torsion uniquement



Ce produit est destiné à être installé uniquement par des techniciens qualifiés en matière de portes de garage. Ce produit peut nécessiter un ajustement des ressorts de la porte et/ou de la configuration des rails. Ce produit n'est pas destiné à être utilisé sur des rails à faible hauteur ou des portes de garage utilisant des ressorts d'extension.

- Veuillez lire attentivement ce manuel et les documents relatifs à la sécurité ci-joints!
- La porte NE SE FERMERA PAS à moins que le système de protection® et le moniteur de tension de câble sont connectés et correctement alignés.
- Des vérifications périodiques de l'ouvre-porte de garage sont nécessaires pour assurer un fonctionnement sûr.
- Le numéro de modèle se trouve sur le couvercle avant de l'opérateur.
- Cet ouvre-porte de garage est **UNIQUEMENT** compatible avec les accessoires myQ® et Security+ 2.0®.
- Fixez les étiquettes d'avertissement à l'endroit indiqué sur l'étiquette.

Enregistrez votre ouvre-porte de garage pour recevoir les mises à jour et les offres de LiftMaster



1 Prenez une photo de l'icône de l'appareil photo avec les points (⊙).

2 Envoyez la photo par texto au 71403 (États-Unis) ou visitez www.liftmaster.photo (Global)

Téléchargez l'application gratuite myQ®



Surveillez et contrôlez votre garage de n'importe où et recevez des alertes en temps réel et en toute tranquillité d'esprit.

LiftMaster
300 Windsor Drive
Oak Brook, IL 60523



LiftMaster®

Table des matières

PRÉPARATION	2	Installer le verrou automatique de.....	10	PROGRAMMATION	29
Numéro de série myQ.....	2	Installer la commande de la porte (Panneau Smart Control®).....	11	Télécommande 893MAX.....	29
Examen des symboles de sécurité et des notes d'avertissement.....	2	Installer le voyant à DEL à distance myQ ...	12	Reprogrammer le voyant à DEL à distance myQ.....	30
Fonctionnement sans surveillance.....	2	Installer le Protector System.....	13	Effacer la mémoire.....	30
Planification.....	3	Connecter l'alimentation.....	16	HomeLink®.....	31
Avant de vous connecter avec votre téléphone intelligent.....	4	Aligner les capteurs d'inversion de sécurité	17	ENTRETIEN	32
Préparer la porte de garage.....	5	Installer la batterie de secours.....	18	Entretien de votre ouvre-porte de garage...	32
Outils nécessaires.....	5	RÉGLAGE	19	DÉPANNAGE	33
Inventaire du carton.....	6	Identifier le profil de la porte.....	19	Tableau de diagnostics.....	33
Articles supplémentaires dont vous pourriez avoir besoin.....	6	Définir le profil de la porte.....	20	Dépannage supplémentaire.....	34
ASSEMBLAGE	7	Programmer le déplacement.....	21	PIÈCES DÉTACHÉES	36
Fixer le collier à l'ouvre-porte de garage.....	7	Configuration de la force automatique.....	21	Pièces d'installation.....	36
Fixer les supports de montage sur l'ouvre-porte de garage.....	8	Faites un test pour vérifier le système d'inversion de sécurité.....	22	Pièces d'assemblage de l'ouvre-porte de garage.....	37
MONTAGE	8	Testez le système de protection.....	22	CONTACT	37
Positionner et monter l'ouvre-porte de garage...9		Tester le verrou électrique de porte.....	23	ACCESSOIRES	38
Fixer la corde et la poignée de déverrouillage d'urgence.....	10	Tester le déclenchement d'urgence.....	23	GARANTIE	39
		FONCTIONNEMENT	24	Guide de sécurité et d'entretien de l'ouvre-porte de garage automatique	40
		Utilisation de votre ouvre-porte de garage.....	25		
		Connecter avec un téléphone intelligent.....	26		
		Utilisation de la commande de porte.....	27		

Préparation

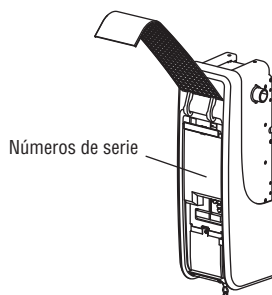
Numéro de série myQ

Notez les renseignements suivants pour références futures :

Numéro de série myQ :

Numéro de série du produit :

Date d'achat :



Números de serie

Examen des symboles de sécurité et des notes d'avertissement.

Cet ouvre-porte de garage a été conçu et testé pour offrir un service sûr à condition qu'il soit installé, utilisé, entretenu et testé en stricte conformité avec les instructions et les avertissements de ce manuel.

Lorsque vous voyez ces symboles de sécurité et notes d'avertissement aux pages suivantes, ils vous avertissent du risque de **blesures graves voire mortelles** si vous ne respectez pas les avertissements qu'ils accompagnent. Le danger peut provenir de quelque chose de mécanique ou d'un choc électrique. Lisez attentivement les avertissements.

Lorsque vous voyez ce mot d'avertissement aux pages suivantes, il vous avertit du risque que votre porte de garage et/ou l'ouvre-porte soit endommagé(e) si vous ne respectez pas les mises en garde qui l'accompagnent. Lisez-les attentivement.

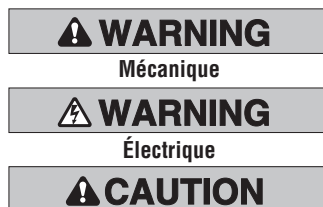


AVERTISSEMENT : Ce produit peut vous exposer à des produits chimiques, dont le plomb, qui sont reconnus par l'État de Californie comme provoquant le cancer, des malformations congénitales ou d'autres problèmes de reproduction. Pour en savoir plus, visitez www.P65Warnings.ca.gov.

Fonctionnement sans surveillance

La fonction de minuterie de fermeture (TTC), l'application pour téléphone intelligent myQ et le moniteur de porte de garage et de portail myQ sont des exemples de fermeture sans surveillance et doivent être utilisés **UNIQUEMENT** avec des portes sectionnelles. Tout dispositif ou fonction permettant à la porte de se fermer sans être dans le champ de vision de cette dernière est considéré comme une fermeture sans surveillance. La fonction de minuterie de fermeture (TTC), l'application pour téléphone intelligent myQ et tout autre appareil myQ doivent être utilisés **UNIQUEMENT** avec des portes sectionnelles.

La lampe à DEL de la télécommande myQ doit être installé pour pouvoir utiliser la minuterie de fermeture ou la commande de la porte par téléphone intelligent myQ.



Préparation

Planification

Examinez votre région pour voir si l'une des conditions ci-dessous s'applique à votre installation. En fonction de vos besoins, des matériaux supplémentaires peuvent être nécessaires.

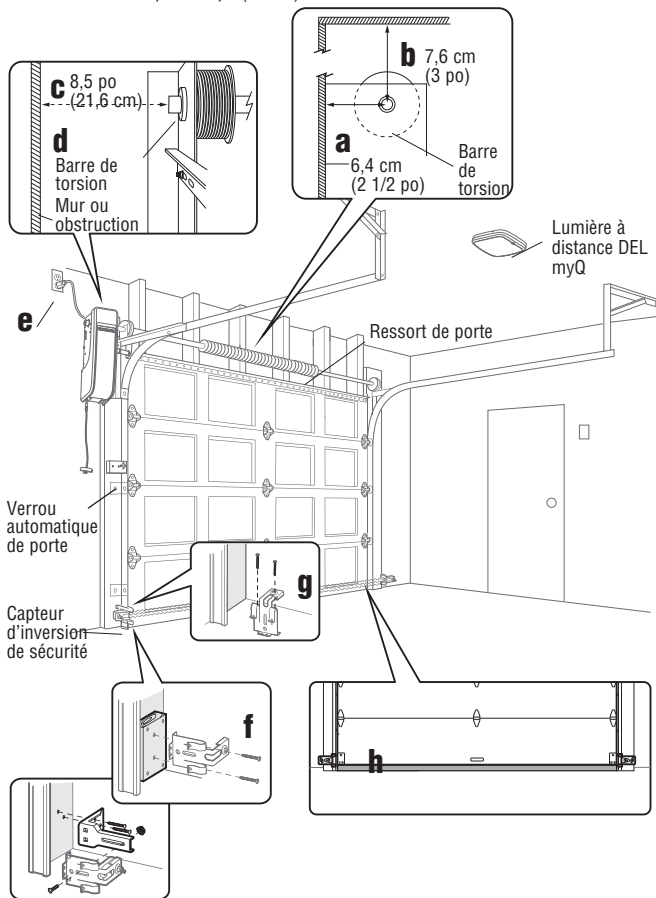
CET OUVRÉ-PORTE DE GARAGE EST COMPATIBLE AVEC CE QUI SUIT :

- Portes qui utilisent une barre de torsion et des ressorts. La barre de torsion doit avoir un diamètre de 2,5 cm (1 po). NON compatible avec les tambours à enroulement inverse.
- Portes sectionnelles à levage standard utilisant des tambours de 4 à 6 po (10 à 15 cm) de diamètre.
- Tambours droits de 4-6 po (10-15 cm)
- Des tambours de 3 à 3,9 pouces (7,6 à 9,9 cm) peuvent être utilisés pour les portes pesant d'un poids maximum de 430 lb (195,4 kg)
- Portes sectionnelles à levage élevé (d'une hauteur maximum de 54 po [137,2 cm]) et à levage standard d'une hauteur maximum de 14 pi (4,3 m).
- Portes jusqu'à 5,5 m (18 pi) de large.
- Portes sectionnelles à grande levée utilisant un tambour conique de 8 po (20 cm) de diamètre.
- Portes sectionnelles à levée verticale utilisant des tambours coniques de 8 po (20 cm) de diamètre..
- Portes jusqu'à 16,7 mètres carrés (180 pieds carrés).

Examinez ou inspectez la zone d'installation proposée. Déterminez si l'opérateur de porte sera installé sur le côté gauche ou droit de la porte. Sélectionnez le côté qui répond aux exigences énumérées ci-dessous.

- Un minimum de 6,4 cm (8,5 po) entre le mur et l'extrémité de la barre de torsion.
- Un minimum de 7,6 cm (3 po) entre le plafond et le centre de la barre de torsion.
- Un minimum de 21,6 cm (8,5 po) entre le mur latéral du (ou l'obstruction) et l'extrémité de la barre de torsion.
- La barre de torsion doit dépasser d'au moins 3,81 cm (1,5 po) la plaque d'appui. Cela peut varier en fonction des exigences de votre installation.
- Une prise électrique est nécessaire à moins de 1,83 m (6 pi) de la zone d'installation. Si la prise n'existe pas, contactez un électricien qualifié.
- Selon la construction, des supports d'extension ou des blocs de bois peuvent être nécessaires pour installer les capteurs d'inversion de sécurité et le moniteur de tension de câble.
- Le montage au sol (autre option) des capteurs d'inversion de sécurité nécessite du matériel (non fourni).
- Vérifiez le joint au bas de la porte. Tout écart entre le sol et le bas de la porte ne doit pas dépasser 6 mm (1/4 po). Sinon, le système d'inversion de sécurité risque de ne pas fonctionner correctement.

REMARQUE : Inspectez la barre de torsion lorsque la porte est levée et abaissée. Il est important qu'il n'y ait pas de mouvement perceptible de haut en bas ou de gauche à droite. Si le mouvement n'est pas corrigé, la durée de vie de l'opérateur de porte sera fortement réduite.



Préparation

Avant de vous connecter avec votre téléphone intelligent

Surveillez et contrôlez votre porte de garage de n'importe où à l'aide de l'application myQ.

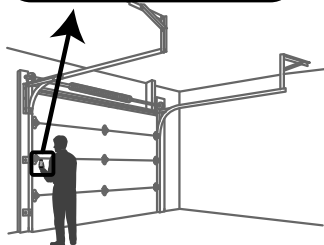
AVANT DE COMMENCER :

Vous aurez besoin :

- Téléphone intelligent, tablette ou ordinateur portable compatible Wi-Fi
- Connexion Internet à large bande
- Signal Wi-Fi dans le garage (**2,4 Ghz, 802,11b/g/n requis**)
- Mot de passe pour votre réseau domestique (le compte principal du routeur; pas le réseau invité)

TESTEZ L'INTENSITÉ DU SIGNAL WI-FI

Assurez-vous que votre appareil mobile est connecté à votre réseau Wi-Fi. Tenez votre appareil mobile à l'endroit où votre ouvre-porte de garage sera installé et vérifiez la force du signal Wi-Fi.



Vérifiez la puissance du signal. Si vous voyez :



Le signal WiFi est fort.
L'ouvre-porte de garage se connectera à votre réseau Wi-Fi.



Le signal WiFi est faible.
L'ouvre-porte de garage pourrait se connecter à votre réseau Wi-Fi. Sinon, essayer l'une des options ci-dessous pour améliorer le signal Wi-Fi :



Aucun signal WiFi.
L'ouvre-porte de garage ne pourra pas se connecter à votre réseau Wi-Fi. Essayer l'une des options ci-dessous pour améliorer le signal Wi-Fi :

- Rapprocher votre routeur de l'ouvre-porte réduire l'interférence des murs et des autres objets

Pour les spécifications de routeur compatibles et l'aide, visitez www.LiftMaster.com/Customer-Support. Voir la page 26 pour connecter l'ouvre-porte de garage à un appareil mobile.

Préparation

Préparez votre porte de garage

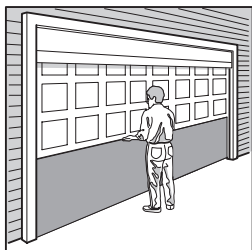
AVANT DE COMMENCER :

- Désactivez les verrous.
- Retirez les cordes reliées à la porte du garage.

Effectuez le test suivant pour vous assurer que la porte de garage est équilibrée et qu'elle ne se coince pas.

1. Soulevez la porte à mi-hauteur. Libérez la porte. Si elle est équilibrée, elle doit rester en place, entièrement soutenue par ses ressorts.
2. Soulevez et abaissez la porte pour vérifier qu'elle ne se coince pas ou ne colle pas.
3. Les portes d'un poids supérieur à 650 livres ne doivent PAS s'ouvrir ou tomber rapidement.

Si votre porte se coince, colle ou est déséquilibrée, appelez un technicien qualifié en systèmes de porte.



Porte sectionnelle

⚠ WARNING

Pour éviter d'éventuelles BLESSURES GRAVES voire MORTELLES :

- Appelez TOUJOURS un technicien qualifié en systèmes de porte si la porte de garage se coince, colle ou est déséquilibrée. Une porte de garage déséquilibrée risque de ne PAS s'inverser lorsque cela est nécessaire.
- N'essayez JAMAIS de desserrer, déplacer ou ajuster la porte de garage, les ressorts de porte, les câbles, les poulies, les supports ou leur matériel, qui sont TOUS sous une tension EXTRÊME.
- Désactivez TOUTES les serrures et retirez TOUTES les cordes connectées à la porte de garage AVANT d'installer et d'utiliser l'ouvre-porte pour éviter tout enchevêtrement.
- Ce système d'ouvre-porte est muni d'une option de fonctionnement sans surveillance. La porte pourrait bouger de façon inattendue. NE TRAVERSEZ JAMAIS LA PORTE LORSQU'ELLE EST EN MOUVEMENT.

⚠ CAUTION

Pour éviter d'endommager la porte de garage et l'ouvre-porte :

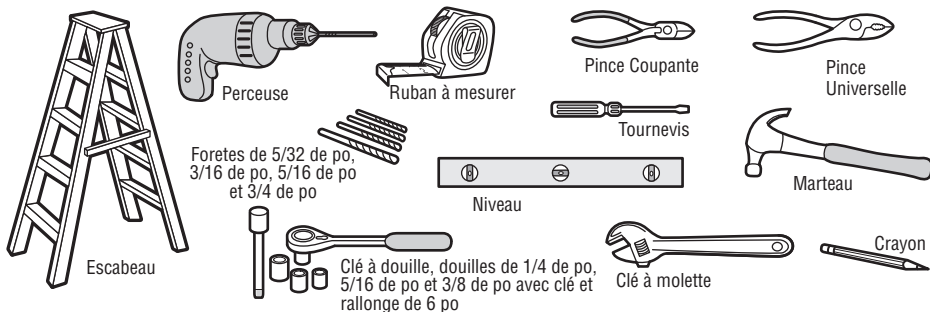
- Désactivez TOUJOURS les verrous AVANT d'installer et d'utiliser l'ouvre-porte.
- Utilisez UNIQUEMENT l'ouvre-porte de garage sur 120 V, 60 Hz pour éviter les dysfonctionnements et les dommages.

CARACTÉRISTIQUES TECHNIQUES

Volts	120 V c.a. - 60 Hz, UNIQUEMENT
Courant	1,5 A
Courant d'éclairage DEL (alimentation indépendante).....	0,2 A

Outils nécessaires

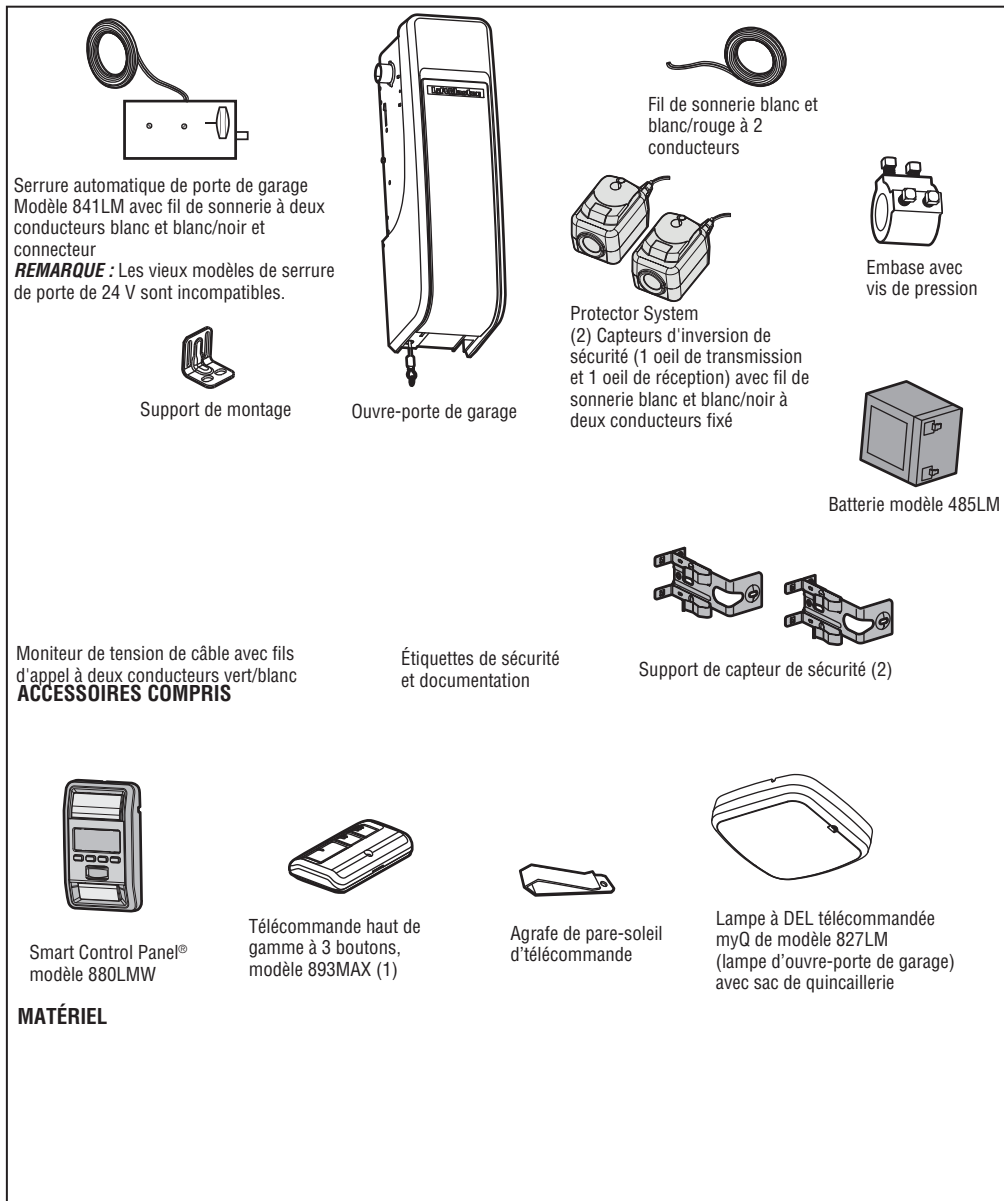
Pendant l'assemblage, l'installation et le réglage de l'ouvre-porte, les instructions feront appel à des outils manuels comme illustré ci-dessous.



Préparation

Inventaire du carton

Si quelque chose manque, vérifiez soigneusement le matériel d'emballage.



Serrure automatique de porte de garage
Modèle 841LM avec fil de sonnerie à deux conducteurs blanc et blanc/noir et connecteur
REMARQUE : Les vieux modèles de serrure de porte de 24 V sont incompatibles.

Fil de sonnerie blanc et blanc/rouge à 2 conducteurs

Protector System
(2) Capteurs d'inversion de sécurité (1 oeil de transmission et 1 oeil de réception) avec fil de sonnerie blanc et blanc/noir à deux conducteurs fixé

Embase avec vis de pression

Batterie modèle 485LM

Support de montage

Ouvre-porte de garage

Moniteur de tension de câble avec fils d'appel à deux conducteurs vert/blanc
ACCESSOIRES COMPRIS

Étiquettes de sécurité et documentation

Support de capteur de sécurité (2)

Smart Control Panel® modèle 880LMW

Télécommande haut de gamme à 3 boutons, modèle 893MAX (1)

Agrafe de pare-soleil d'télécommande

Lampe à DEL télécommandée myQ de modèle 827LM (lampe d'ouvre-porte de garage) avec sac de quincaillerie

MATÉRIEL

Articles supplémentaires dont vous pourriez avoir besoin

Supports d'extension (Modèle 041A5281-1) ou blocs de bois : Selon la construction du garage, des supports d'extension ou des blocs de bois peuvent être nécessaires pour installer le capteur d'inversion de sécurité.

Matériel de fixation. Le montage au sol (autre option) du capteur d'inversion sécuritaire nécessite du matériel non fourni.

Connecteur 90° pour conduit de câble ou adaptateur de câble flexible : Requis pour le câblage permanent.

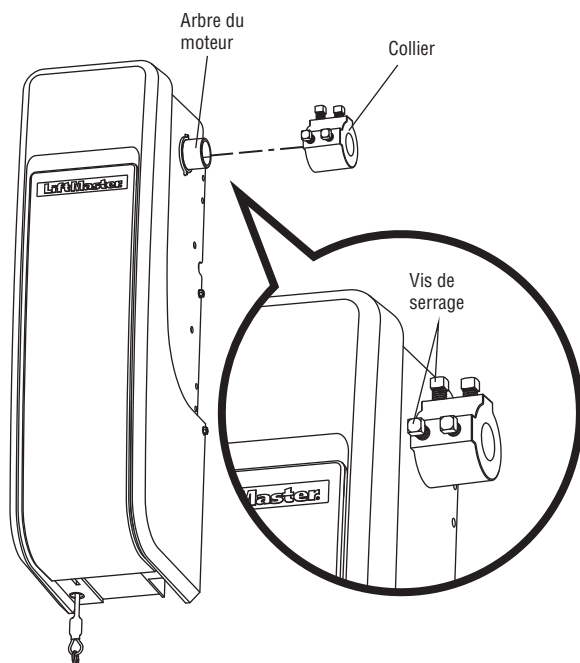
Assemblage

1 Fixer le collier à l'ouvre-porte de garage

Pour éviter les difficultés d'installation, ne faites pas fonctionner l'ouvre-porte de garage avant d'y être invité.

L'ouvre-porte de garage peut être installé d'un côté ou l'autre de la porte (voir la section Planification, page 3). Les illustrations présentées sont pour une installation sur le côté gauche.

1. Desserrez les vis de réglage.
2. Fixez le collier à l'arbre du moteur de l'ouvre-porte de garage. Le côté du collier avec le plus grand trou doit être placé sur l'arbre du moteur. Veillez à ce que le collier soit enfoncé à fond sur l'arbre du moteur jusqu'à ce que la butée soit atteinte.
3. Positionnez le collier de manière à ce que les vis soient orientées vers l'extérieur et accessibles lorsqu'il est fixé à la barre de torsion.
4. Serrez fermement les 2 vis de réglage à tête carrée les plus proches de l'arbre du moteur en les tournant vis de 1/4 à 1/2 tour après leur contact avec l'arbre du moteur.



! WARNING

Pour éviter d'éventuelles BLESSURES GRAVES ou MORTELLES, le collier DOIT être serré correctement. La porte peut ne pas s'inverser correctement ou des limites peuvent être perdues en raison du glissement du collier.

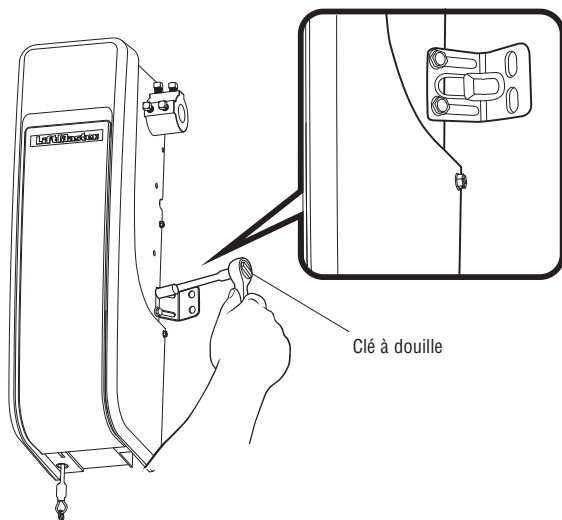
Assemblage

2 Fixez les supports de montage sur l'ouvre-porte de garage

1. Fixez sans serrer le côté fendu du support de montage sur le même côté de l'ouvre-porte de garage que le collier à l'aide des vis de montage fournies.

REMARQUE : Ne serrez pas les vis du support de montage avant d'y être invité.

Vis
N° 10-32
(2)



Clé à douille

Montage

INSTRUCTIONS D'INSTALLATION IMPORTANTES

Pour réduire le risque de BLESSURES GRAVES voire MORTELLES :

1. Lisez et suivez tous les avertissements et instructions.
2. Installez l'ouvre-porte de garage **UNIQUEMENT** sur une porte de garage correctement équilibrée et lubrifiée. Une porte mal équilibrée risque de ne PAS s'inverser lorsque cela est nécessaire et pourrait entraîner des BLESSURES GRAVES voire MORTELLES.
3. **TOUTES** les réparations de câbles, ressorts et autre matériel **DOIVENT** être effectuées par un technicien en systèmes de portes qualifié **AVANT** d'installer l'ouvre-porte.
4. Désactivez **TOUTES** les serrures et retirez **TOUTES** les cordes connectées à la porte de garage **AVANT** d'installer l'ouvre-porte pour éviter qu'elles s'enchevêtrent.
5. Dans la mesure du possible, installez l'ouvre-porte à une hauteur minimum de 2,13 m (7 pi) du sol.
6. Installez le déclencheur d'urgence à portée de main, mais à une distance minimum de moins 1,83 m (6 pieds) du sol et en évitant tout contact avec les véhicules, afin d'éviter tout déverrouillage accidentel.
7. Ne branchez **JAMAIS** l'ouvre-porte de garage à une source d'alimentation avant d'y être invité.
8. **NE** portez **JAMAIS** de montres, bagues ou vêtements amples en installant ou entretenant l'ouvre-porte. Ils peuvent être pris dans les mécanismes de la porte de garage ou de l'ouvre-porte.
9. Installez la commande de porte de garage murale :
 - en vue de la porte du garage.
 - hors de portée des jeunes enfants, à une hauteur minimum de 1,53 m (5 pi) au-dessus du sol, des paliers, des marches ou de toute autre surface de marche adjacente.
 - loin de **TOUTES** les pièces mobiles de la porte.
10. Installez le marquage du déclencheur d'urgence. Fixez les marquages sur le déclencheur d'urgence ou à proximité de celui-ci. Installez la plaque d'avertissement de coïncement à côté de la commande de la porte, dans un endroit bien visible.
11. Placez l'étiquette de test d'inversion de sécurité/déverrouillage d'urgence bien en vue à l'intérieur de la porte de garage.
12. Une fois l'installation terminée, testez le système d'inversion de sécurité. La porte **DOIT** s'inverser au contact d'un objet de 3,8 cm (1-1/2 po) de haut (ou un 2x4 posé à plat) sur le sol.
13. Pour éviter des BLESSURES PERSONNELLES GRAVES voir MORTELLES par électrocution, débranchez **TOUTE** l'alimentation électrique et la batterie **AVANT** d'effectuer tout entretien ou toute maintenance.
14. **CONSERVEZ CES INSTRUCTIONS.**

Montage

1 Positionner et monter l'ouvre-porte de garage.

REMARQUE : Pour des options de montage supplémentaires, consultez la page des accessoires.

1. Fermez complètement la porte.
2. Faites glisser l'ouvre-porte de garage sur l'extrémité de la barre de torsion. Si la barre de torsion est trop longue ou endommagée, vous devrez peut-être la couper.
Assurez-vous que le collier ne touche PAS la plaque de d'appui.
3. Utilisez un niveau pour placer et aligner à la verticale l'ouvre-porte de garage. Vérifiez que le support de montage est situé sur une surface solide, comme du bois, du béton ou un support de porte/de drapeau. En cas d'installation sur un cloison sèche, le support de montage DOIT être fixé à un montant.
4. Lorsque l'ouvre-porte de garage est correctement aligné, marquez les trous du support de montage. Si nécessaire, serrez les vis à collier sur la barre de torsion pour maintenir l'ouvre-porte de garage en place pendant le marquage des trous.
REMARQUE : L'ouvre-porte de garage n'a pas besoin d'arriver à égalité avec le mur.
5. Retirez l'ouvre-porte de garage de la barre de torsion. Percez des trous pilotes de 3/16 po aux endroits marqués. Percez les plaques métalliques du rail de la porte si nécessaire.
6. Faites glisser l'ouvre-porte de garage sur la barre de torsion jusqu'à ce que les trous pilotes soient alignés avec le support.
7. Serrez les 2 vis de pression à tête carrée sur la barre de torsion. Pour une barre de torsion creuse, serrez les vis de 3/4 à 1 tour complet après avoir établi le contact avec la barre. Pour une barre de torsion à arbre plein, serrez les vis de 1/4 à 1/2 tour maximum après avoir établi le contact avec l'arbre. En cas d'installation sur une barre de torsion clavetée, NE serrez PAS les vis dans la rainure de clavetage.
8. Fixez le support de montage au mur et à l'ouvre-porte de garage. Utilisez les vis 14-10 x 2 po pour fixer le support de montage au mur.

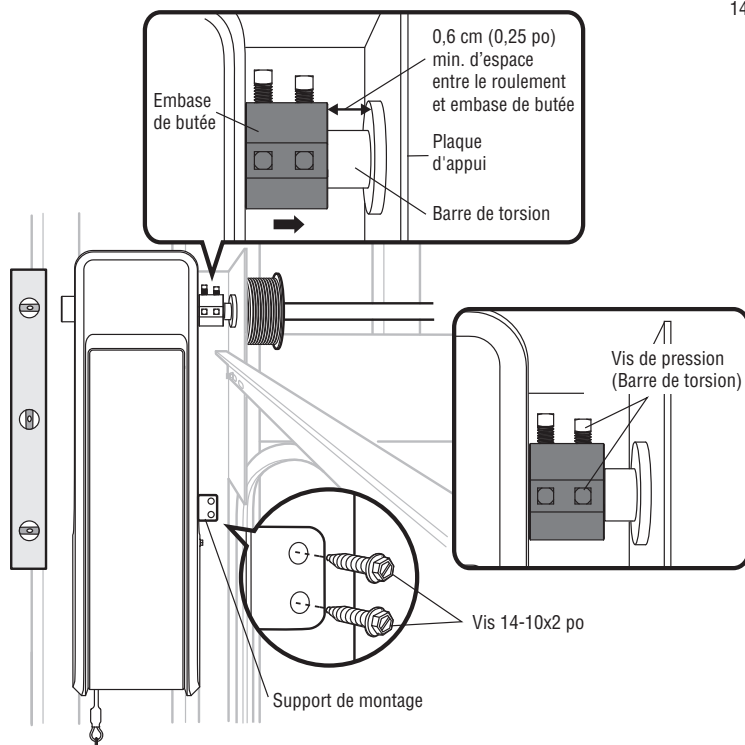
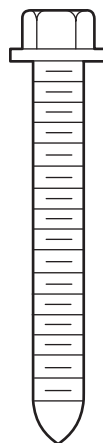
! WARNING

Pour éviter d'éventuelles BLESSURES GRAVES voire MORTELLES :

- Des ancrages à béton DOIVENT être utilisés si le support est monté dans la maçonnerie.
- N'essayez JAMAIS de desserrer, déplacer ou ajuster la porte de garage, les ressorts de porte, les câbles, les poulies, les supports ou leur matériel, qui sont TOUS sous une tension EXTRÊME.
- Appelez TOUJOURS un technicien qualifié en systèmes de porte si la porte de garage se coince, colle ou est déséquilibrée. Une porte de garage déséquilibrée risque de NE PAS s'inverser lorsque cela est nécessaire.
- L'ouvre-porte de garage DOIT être monté à angle droit par rapport à la barre de torsion pour éviter une usure prématurée du collier.

MATÉRIEL

Vis
14 - 10 x 2 po (2)

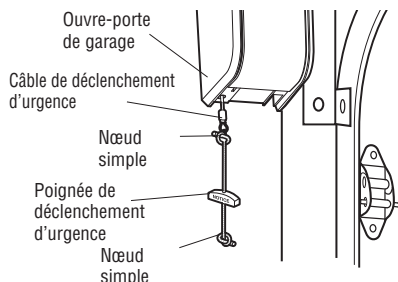


Montage

2 Fixez la corde et la poignée de déclenchement d'urgence

1. Insérez une extrémité de la corde de déverrouillage d'urgence à travers la poignée. Vérifiez que « NOTICE » (AVIS) est à l'endroit. Fixez avec un nœud simple à un minimum de 1 po (2,5 cm) de l'extrémité de la corde pour éviter qu'elle glisse.
2. Insérez l'autre extrémité de la corde de déverrouillage d'urgence dans le trou du bras de déverrouillage du chariot. Montez le déclenchement d'urgence à portée de main, mais à au moins 1,83 m (6 pi) au-dessus du sol, en évitant tout contact avec les véhicules pour éviter un déclenchement accidentel, puis fixez-le avec un nœud plat.

REMARQUE : Si vous devez couper la corde, arrêtez l'extrémité coupée avec une allumette ou un briquet pour éviter qu'elle ne s'effiloche.



⚠ WARNING

Pour éviter d'éventuelles BLESSURES GRAVES voire MORTELLES causées par une porte de garage qui tombe :

- Dans la mesure du possible, utilisez UNIQUEMENT la poignée de déverrouillage d'urgence pour désengager le chariot lorsque la porte du garage est FERMÉE. Des ressorts faibles ou cassés, ou une porte déséquilibrée peuvent entraîner une chute rapide et/ou inattendue d'une porte ouverte.
- N'utilisez JAMAIS la poignée de déverrouillage d'urgence si l'entrée de la porte de garage est obstruée.

MATÉRIEL

Poignée

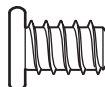


Corde



MATÉRIEL

1/4 po - 20 x
1-2/2 po



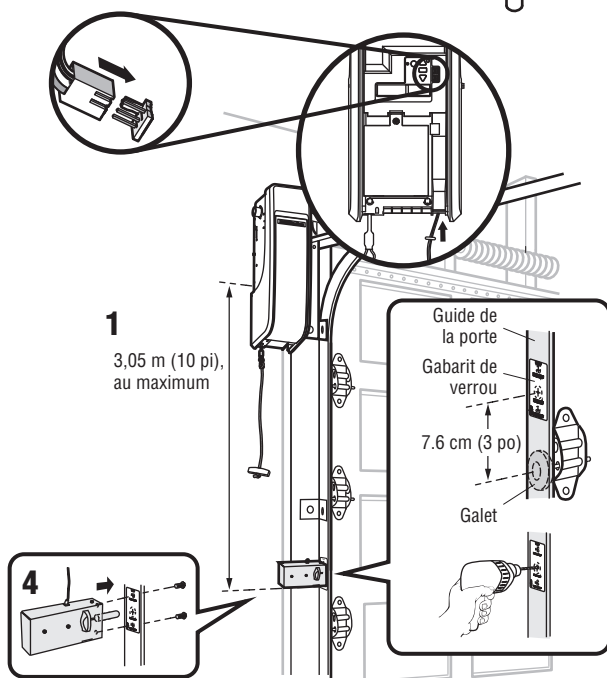
3 Installer le verrou automatique de porte

Le verrou automatique de porte (modèle 841LM) est utilisé pour empêcher l'ouverture manuelle de la porte une fois que celle-ci est complètement fermée, voir la page sur les Accessoires 38.

REMARQUE : Les anciens modèles de verrou de porte 24 V sont incompatibles.

1. La serrure doit être montée dans un rayon de 3,05 m (10 pi) de l'ouvre-porte si possible, montez du même côté que l'ouvre-porte. Le troisième rouleau à partir du sol est idéal pour la plupart des installations.
2. Assurez-vous que la surface du rail est propre et fixez le gabarit de verrouillage au rail de façon à ce que le trou de boulon soit à environ 7,6 cm (3 po) du centre d'un rouleau de porte.
3. Percez les trous comme indiqué sur le gabarit.
4. Fixez le verrou automatique de porte à l'extérieur du rail de la porte avec le matériel fournies.
5. Faites passer le fil de la sonnette dans le mur jusqu'à l'ouvre-porte. Utilisez des agrafes isolées pour fixer le fil à plusieurs endroits. Insérez le fil dans la partie inférieure de l'ouvre-porte.
6. Branchez le connecteur dans l'une des deux fiches de l'ouvre-porte.

Un verrou de porte secondaire peut être installé sur le côté opposé de la porte en suivant les instructions ci-dessus.



Montage

4 Installer la commande de la porte (Panneau Smart Control®)

Installez la commande de porte à portée de vue de la porte de garage, hors de portée des jeunes enfants, à une hauteur minimale de 1,5 m (5 pi) au-dessus du sol, des paliers, des marches ou de toute autre surface de marche adjacente, et loin de **TOUTES les pièces mobiles de la porte.**

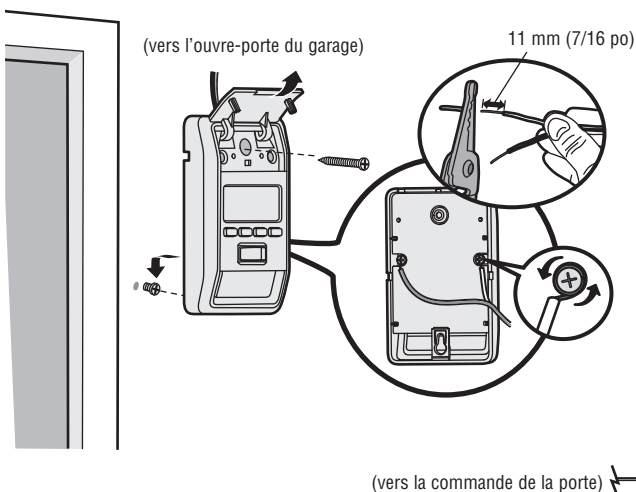
Votre opérateur de porte est compatible avec jusqu'à 2 panneaux de commande intelligents ou 4 de n'importe quelle autre commande de porte Security+ 2.0.

REMARQUE : Les anciennes commandes de porte LiftMaster et les produits tiers ne sont pas compatibles.

Pour les installations d'une boîte de commande, il n'est pas nécessaire de percer des trous ou d'installer des ancrages pour cloisons sèches. Utilisez les trous existants de la boîte de commande.

1. Dénudez 11 mm (7/16 po) d'isolant à une extrémité du fil et séparez les fils.
2. Connectez un fil à chacune des deux vis à l'arrière de la commande de porte. Les fils peuvent être connectés à l'une ou l'autre des vis. **INSTALLATIONS PRÉ-CÂBLÉES :** Choisissez deux fils à connecter, mais notez quels fils sont utilisés.
3. Marquez l'emplacement du trou de montage inférieur et percez un trou de 4 mm (5/32 po).
4. Installez la vis inférieure, en laissant 3 mm (1/8 po) dépasser du mur.
5. Positionnez le trou inférieur de la commande de porte sur la vis et faites-la glisser en place.
6. Soulevez la barre de poussée et marquez le trou supérieur.
7. Retirez la commande de porte du mur et percez un trou de 5/32 po (4 mm) pour la vis du haut.
8. Positionnez le trou inférieur de la commande de porte sur la vis et faites-la glisser en place. Fixez la vis supérieure.
9. Faites passer le fil blanc et rouge/blanc de la commande de porte à l'ouvre-porte de garage. Fixez le fil au mur et au plafond avec l'agrafe (ne s'applique pas aux boîtes de commande ou aux installations précâblées). Ne percez pas le fil avec l'agrafe car ceci risquerait de créer un court-circuit ou un circuit ouvert.
10. Connectez le fil aux bornes rouge et blanche de l'ouvre-porte de garage. Les fils peuvent être connectés à l'une ou l'autre des vis.
11. Fixez la plaque d'avertissement sur le mur à côté de la commande de la porte.

REMARQUE : Ne branchez PAS l'alimentation en faisant simultanément fonctionner l'ouvre-porte de garage. La porte se déplacera jusqu'à la position d'ouverture complète mais ne reviendra pas en position de fermeture tant que les capteurs d'inversion de sécurité ne seront pas connectés et alignés correctement. Voir page 3.



⚠️ ⚡ WARNING

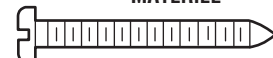
Pour éviter d'éventuelles BLESSURES GRAVES voire MORTELLES par électrocution :

- Vérifiez que l'alimentation n'est PAS branchée AVANT d'installer la commande de porte.
- Connectez UNIQUEMENT aux fils basse tension de 7 à 28 volts.

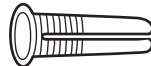
Pour éviter d'éventuelles BLESSURES GRAVES voire MORTELLES causées par la fermeture d'une porte de garage :

- Installez la commande de porte à portée de vue de la porte de garage, hors de portée des jeunes enfants, à une hauteur minimale de 1,5 m (5 pi) au-dessus du sol, des paliers, des marches ou de toute autre surface de marche adjacente, et loin de TOUTES les pièces mobiles de la porte.
- N'autorisez JAMAIS des enfants à utiliser ou jouer avec les boutons de commande de porte ou les émetteurs de la télécommande.
- Activez la porte UNIQUEMENT lorsqu'elle est clairement visible et correctement réglée, et qu'il n'y a pas d'obstacles au déplacement de la porte.
- Gardez TOUJOURS la porte de garage en vue jusqu'à ce qu'elle soit complètement fermée. Ne permettez JAMAIS à quiconque de passer la ligne de la porte de garage lorsqu'elle est en train de se fermer.

MATÉRIEL



Vis 6 AB x 1-1/4 po (installation standard) (2)

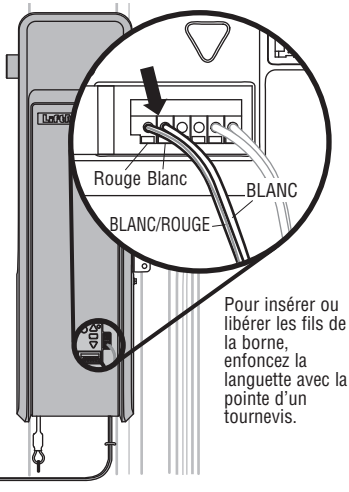


Chevilles pour cloisons sèches (2)



Vis 6 - 32 x 1 po (pré-câblé) (2)

Agrafes isolées (non illustrées)



Montage

INSTRUCTIONS D'INSTALLATION IMPORTANTES

WARNING

Pour réduire le risque de BLESSURES GRAVES voire MORTELLES :

- Cette lampe portable a une fiche polarisée (une broche plus large que l'autre); ceci est une protection qui réduit le risque d'électrocution.
- Cette fiche rentre seulement dans un sens dans une prise polarisée. Si la fiche ne rentre pas à fond dans la prise, essayez dans l'autre sens. Si elle ne rentre toujours pas, contactez un électricien qualifié.
- NE modifiez PAS la fiche.
- Le luminaire est destiné à être monté au plafond ou au mur et à l'intérieur UNIQUEMENT.

5 Installer le voyant à DEL à distance myQ

Le lampe à DEL myQ est conçue pour se brancher directement sur une prise standard de 120 V. Choisissez un emplacement approprié au plafond ou au mur pour installer la lampe à moins de 1,83 m (6 pieds) d'une prise électrique, de sorte que le cordon et la lampe soient éloignés des pièces mobiles.

REMARQUE : Si vous installez la lampe sur une cloison sèche et qu'il est impossible de trouver une solive de plafond, utilisez les ancrages pour cloison sèche fournis. Aucun trou pilote n'est nécessaire pour les ancrages pour cloison sèche.

1. Percez des trous pilotes espacés de 15,6 cm (6-1/8 po) si le montage est effectué sur une solive.

OU

Vissez les ancrages pour cloison sèche à une distance de 15,6 cm (6-1/8 po) si vous les fixez à une cloison sèche.

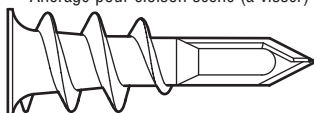
2. Déterminez la longueur du cordon d'alimentation nécessaire pour atteindre la prise la plus proche. Enroulez l'excédent de cordon autour du support de cordon situé sur la partie supérieure de la base de la lampe. Faites passer le cordon dans le canal de manière à ce que la lampe soit à fleur.
3. Ouvrez la lentille de la lampe.
4. Montez la lampe à l'aide des vis fournies.
5. Fermez la lentille de la lampe.
6. Branchez la lampe sur la prise de courant.

REMARQUE : La lampe à DEL est très brillante. Ne fixez PAS la lumière lorsque vous êtes sur une échelle.

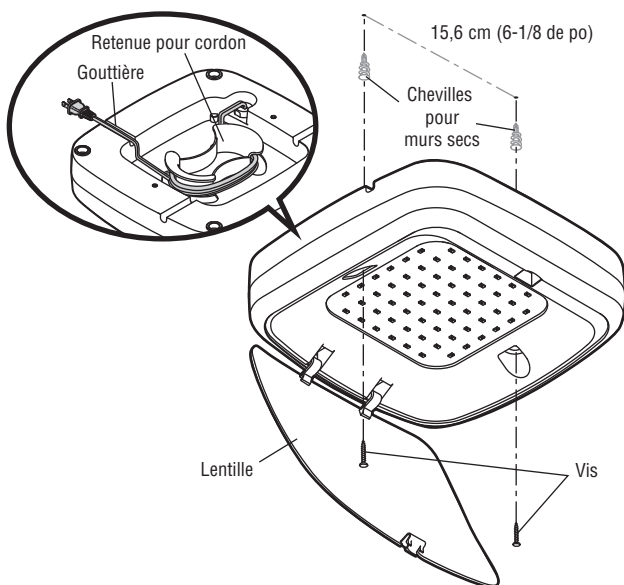
La lampe télécommandée de votre ouvre-porte de garage a déjà été programmée en usine pour fonctionner avec votre ouvre-porte. Toute lampe télécommandée supplémentaire ou de remplacement devra être programmée.

MATÉRIEL

Ancrage pour cloison sèche (à visser) (2)



Vis 6 x 1 po (2)



Installation (SUITE)

6 Installer le Protector System®

Le capteur d'inversion de sécurité doit être connecté et aligné correctement avant que l'ouvre-porte de garage fasse descendre la porte. Ce dispositif de sécurité est requis et ne peut pas être désactivé.

INFORMATION IMPORTANTE CONCERNANT LE CAPTEUR D'INVERSION DE SÉCURITÉ

Lorsqu'il est connecté et aligné correctement, le capteurs d'inversion de sécurité détecte toute obstruction de la trajectoire du faisceau infrarouge. Le capteur d'envoi (avec une DEL ambre) transmet un faisceau lumineux invisible au capteur de réception (avec une DEL verte). Si un obstacle brise le faisceau lumineux pendant la fermeture de la porte, la porte s'arrête, puis retourne en position complètement ouverte.

Les capteurs doivent être installés à l'intérieur du garage de manière à ce que les capteurs d'envoi et de réception se fassent face d'un côté à l'autre de la porte, à une hauteur maximale de 15 cm (6 po) du sol. L'un ou l'autre de ces capteurs peut être installé à gauche ou à droite de la porte, à condition que le soleil ne brille jamais directement dans la lentille du capteur de réception.

Les supports de montage sont conçus pour se fixer sur le rail des portes de garage sectionnelles sans matériel supplémentaire.

S'il est nécessaire de monter les capteurs sur le mur, les supports doivent être solidement fixés sur une surface solide telle que l'encadrement du mur. Des supports d'extension (reportez-vous aux accessoires) sont disponibles si nécessaire. En cas d'installation sur une construction en maçonnerie, ajoutez une pièce de bois à chaque emplacement pour éviter de percer des trous supplémentaires dans la maçonnerie si un repositionnement est nécessaire.

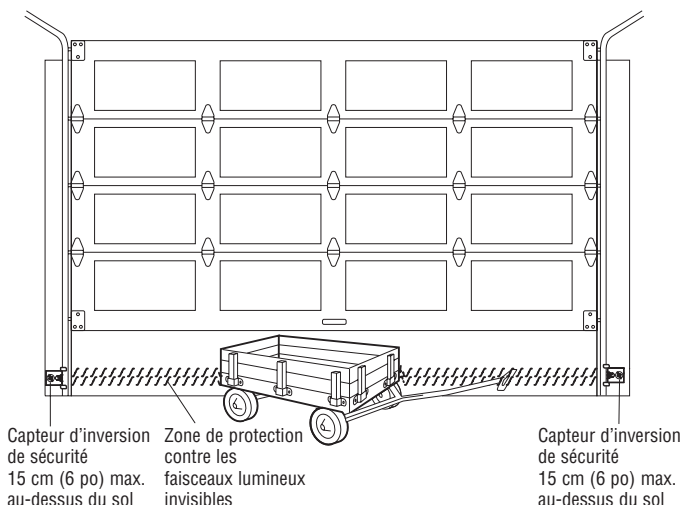
La trajectoire du faisceau de lumière invisible ne doit pas être obstruée. Aucune partie de la porte de garage (rails de la porte, ressorts, charnières, rouleaux ou autre matériel) ne peut interrompre le faisceau pendant la fermeture de la porte.

WARNING

Vérifiez que l'alimentation n'est PAS connectée à l'ouvre-porte de garage AVANT d'installer le capteur d'inversion de sécurité.

Pour éviter d'éventuelles BLESSURES GRAVES voire MORTELLES causées par la fermeture d'une porte de garage :

- Raccordez et alignez correctement le capteur d'inversion de sécurité. Ce dispositif de sécurité requis NE DOIT PAS être désactivé.
- Installez le capteur d'inversion de sécurité de sorte que le faisceau ne soit PAS à une HAUTEUR SUPÉRIEURE à 15 cm (6 po) du sol du garage.



Face à la porte depuis l'intérieur du garage.

Installation (SUITE)

INSTALLATION DES SUPPORTS

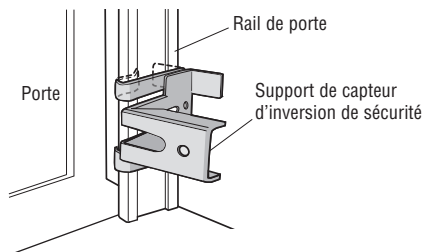
Les supports abritent les capteurs d'inversion de sécurité dans une position fixe et sûre, de sorte que les capteurs d'inversion de sécurité se font face de part et d'autre de la porte de garage, la poutre ne dépassant pas 15 cm (6 po) au-dessus du sol. Assurez-vous que l'alimentation de l'ouvre-porte est débranchée.

Choisissez l'une des installations suivantes.

OPTION A : Installation des rails (recommandé)

1. Glissez les bras incurvés sur le bord arrondi de chaque rail de porte, les bras incurvés faisant face à la porte, et assurez-vous que les supports ne mesurent pas plus de 15 cm (6 po) au-dessus du sol.
2. Mettez le support en place contre le côté du rail. Il doit être à fleur, avec la lèvre épousant le bord arrière du rail, comme illustré.

Si le rail de votre porte ne peut pas supporter le support de manière sûre, consultez l'option B : Installation murale.

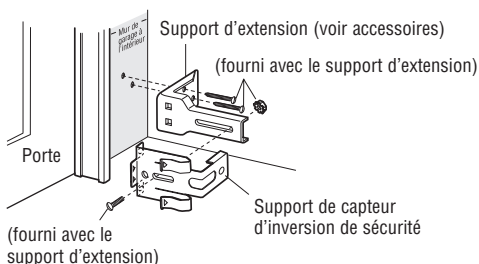
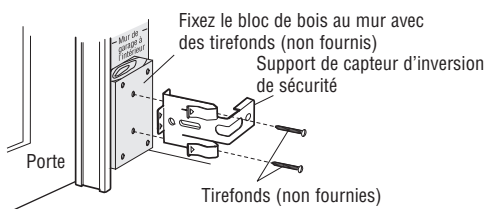


OPTION B : Installation murale.

1. Placez le support contre le mur, les bras courbés faisant face à la porte. Assurez-vous que l'espace est suffisant pour que le faisceau du capteur ne soit pas obstrué.
2. Si une profondeur supplémentaire est nécessaire, un support d'extension (modèle 041A5281-1) ou des blocs de bois peuvent être utilisés. Reportez-vous à la section Accessoires.
3. Utilisez les trous de montage du support comme modèle pour localiser et percer (2) trous pilotes d'un diamètre de 3/16 po sur le mur de chaque côté de la porte, à une hauteur maximale de 15 cm (6 po) au-dessus du sol.
4. Fixez les supports au mur avec des tirefonds (non fournis).

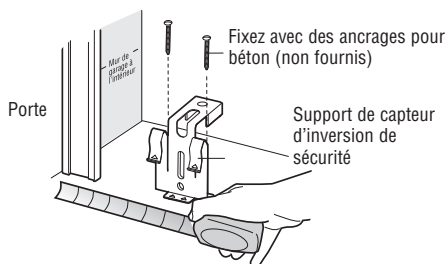
Si vous utilisez des supports d'extension ou des blocs de bois, réglez les ensembles de droite et de gauche à la même distance de la surface de montage. Assurez-vous que toutes les obstructions de la quincaillerie de porte sont dégagées.

Si l'option B ne fonctionne pas, reportez-vous à l'option C : Installation du sol.



OPTION C : Installation au sol

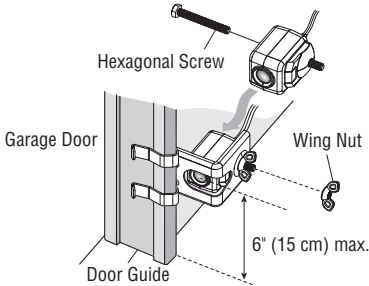
1. Utilisez des blocs de bois ou des supports d'extension (reportez-vous à Accessoires) pour élever les supports de capteur de sorte que les lentilles ne soient pas à plus de 15 cm (6 po) du sol.
2. Mesurez et placez soigneusement les ensembles droit et gauche à la même distance du mur. Assurez-vous que toutes les obstructions de la quincaillerie de la porte sont dégagées.
3. Fixez au sol avec des ancrages à béton comme indiqué.



Installation (SUITE)

MONTAGE DES CAPTEURS D'INVERSION DE SÉCURITÉ

1. Faites glisser une vis hexagonale 10-24 dans la fente de chaque capteur.
2. Utilisez des écrous à oreilles pour fixer les capteurs d'inversion de sécurité aux supports, les lentilles étant orientées l'une vers l'autre à travers la porte. Assurez-vous que l'objectif n'est pas obstrué par une extension du support.
3. Serrez à la main les écrous à oreilles.



MATÉRIEL

Hexagonal Screw 10-24 (2)



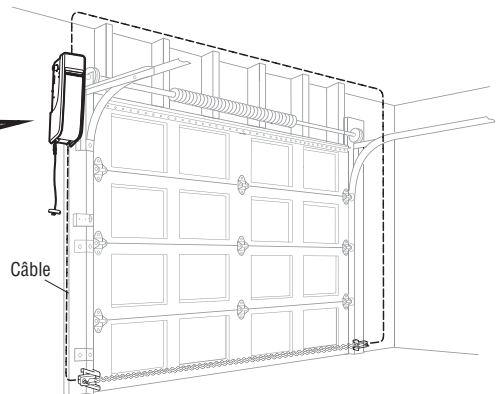
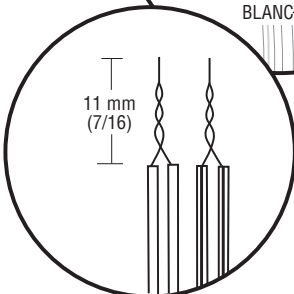
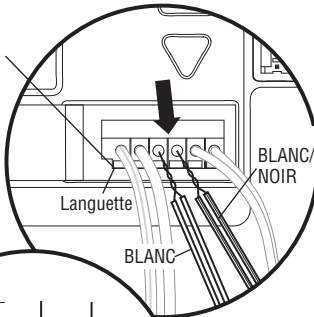
Wing Nut 10-24 (2)

CÂBLEZ LES CAPTEURS D'INVERSION DE SÉCURITÉ

Le capteur de réception a une longueur de fil plus courte et doit être monté du même côté que l'opérateur. En cas d'interférence avec la lumière du soleil, le capteur récepteur peut être déplacé de l'autre côté de l'ouverture de la porte en coupant les fils du capteur émetteur et du capteur récepteur et en reconnectant les fils.

1. Faites passer le fil des deux capteurs à l'ouvre-porte de garage. Fixez solidement le fil au mur et au plafond à l'aide d'agrafes (non fournies).
2. Dénudez 11 mm (7/16 po) d'isolant sur chaque jeu de fils. Séparez les fils blancs des fils blancs/noirs. Torsadez les deux fils blancs ensemble. Torsadez ensuite les deux fils blancs/noirs ensemble.
3. Sur l'ouvre-porte de garage, poussez la languette avec la pointe d'un tournevis pour insérer les fils blancs dans la borne blanche et les fils blanc/noir dans la borne grise.

Pour insérer ou libérer les fils de la borne, enfoncez la languette avec la pointe d'un tournevis.



Installation (SUITE)

7 Connecter l'alimentation

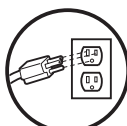
Pour éviter les difficultés d'installation, assurez-vous de ne pas faire fonctionner l'ouvre-porte à ce moment-là.

Pour réduire le risque de choc électrique, votre ouvre-porte de garage est équipé d'une fiche de type mise à la terre avec une troisième goupille de mise à la terre. Cette fiche rentre seulement dans une prise de terre. Si la fiche ne rentre pas dans la prise, communiquez avec un électricien qualifié pour faire installer une prise adéquate.

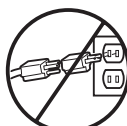
Il existe deux options pour connecter l'alimentation :

OPTION A - CÂBLAGE TYPIQUE

1. Branchez l'ouvre-porte de garage dans une prise de courant mise à la terre.
2. Ne faites PAS fonctionner l'ouvre-porte de garage à ce moment-là.



C'est exact

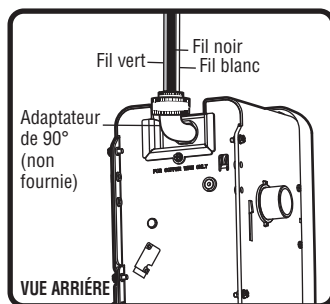
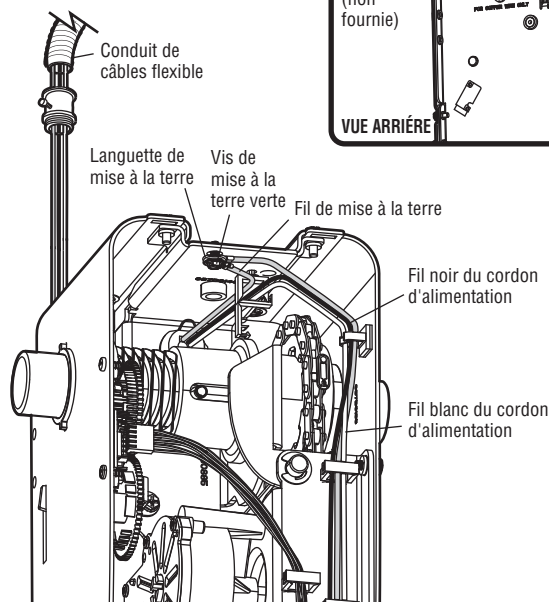


INCORRECT

OPTION B : CONNEXION PERMANENTE DU CÂBLAGE

Si un câblage permanent est requis par votre code local, consultez la procédure suivante.

1. Pour établir une connexion permanente à travers le trou de 7/8 po à l'arrière de l'ouvre-porte de garage (selon le code local) :
2. Assurez-vous que l'alimentation n'est PAS connectée à l'ouvre-porte et coupez l'alimentation du circuit.
3. Retirez l'ouvre-porte de garage de la barre de torsion, enlevez les vis du couvercle et mettez le couvercle de côté.
4. Coupez le cordon de ligne à 15,2 cm (6 po) au-dessus de la décharge de traction.
5. Serrez la décharge de traction et poussez-la dans l'ouvre-porte de garage, puis retirez la décharge de traction du cordon d'alimentation.
6. Installez un conduit à 90° (non fourni) ou un adaptateur de câble flexible (non fourni) dans le trou de 7/8 po. Réinstallez l'ouvre-porte de garage sur la barre de torsion.
7. Faites passer les fils dans le conduit, coupez-les à la bonne longueur, puis dénudez-les.
8. Dénudez 1,3 cm (1/2 po) d'isolant des fils noir, blanc et vert existants.
9. Connectez la ligne au fil noir et le neutre au fil blanc à l'aide d'écrous (non fournis). Connectez le fil de terre à la vis de terre verte.
10. Fixez correctement les fils sous des attaches en plastique afin qu'ils n'entrent pas en contact avec les pièces mobiles.
11. Réinstallez le couvercle.



⚠ WARNING

Pour éviter les risques de BLESSURES GRAVES voire MORTELLES par électrocution ou incendie :

- Assurez-vous que le courant n'est PAS connecté à l'ouvre-porte, et débranchez le courant du circuit AVANT de retirer le couvercle pour établir une connexion permanente.
- L'installation et le câblage de la porte de garage DOIVENT être conformes à TOUTS les codes électriques et de construction locaux.
- N'utilisez JAMAIS de rallonge, d'adaptateur à 2 fils ou ne modifiez en AUCUN cas la fiche pour l'adapter à la prise. Assurez-vous que l'ouvre-porte est mis à la terre.

Installation (SUITE)

8 Aligned les capteurs d'inversion de sécurité

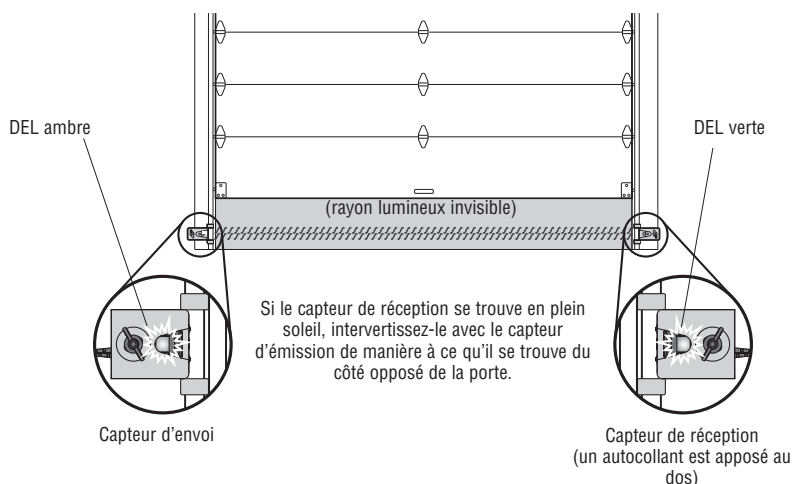
La porte ne se fermera pas si les capteurs n'ont pas été installés et alignés correctement.

REMARQUE : Une fois l'installation terminée, ne faites pas fonctionner l'ouvre-porte pour le moment.

Voir **Définir le profil de la porte** et **Programmer le déplacement** pour définir la taille des tambours de la porte et les limites du déplacement. Ces deux processus sont essentiels à la sécurité et au bon fonctionnement de l'appareil. Si vous ne suivez pas ces instructions, vous risquez d'endommager l'ouvre-porte et la porte!

POUR ALIGNER LES CAPTEURS :

Les capteurs peuvent être alignés en desserrant les écrous à oreilles, alignant les capteurs et resserrant les écrous à oreilles.



Si les DEL ne sont pas allumées en continu :

- Vérifiez que les deux capteurs sont installés à l'intérieur du garage, un de chaque côté de la porte.
- Vérifiez que les capteurs se font face, que les lentilles sont alignées et que le capteur de réception ne reçoit pas la lumière directe du soleil.
- Vérifiez que les capteurs ont la même mesure et qu'ils ne sont pas placés à plus de 15 cm (6 po) au-dessus du sol.

La DEL ambre n'est pas allumée :

- Vérifiez que l'ouvre-porte de garage est bien alimenté.
- Vérifiez que le fil du capteur n'est pas court-circuité ou cassé.
- Vérifiez que le capteur a été câblé correctement : les fils blancs à la borne blanche et les fils blancs/noirs à la borne grise.

La DEL verte n'est pas allumée :

- Vérifiez que le fil du capteur n'est pas court-circuité ou cassé.
- Vérifiez que les capteurs sont alignés.

Montage

9 Installer la batterie de secours

En mode Batterie de secours, l'appli myQ fonctionnant sur téléphone intelligent et les appareils sans fil myQ sont désactivés. En mode batterie de secours, la serrure automatique de porte de garage se déverrouille lorsque la porte de garage est ouverte et reste désactivée jusqu'à ce que le courant soit rétabli.

1. Débranchez l'ouvre-porte de garage.
2. Utilisez un tournevis cruciforme pour retirer le couvercle de batterie de l'ouvre-porte de garage.
3. Insérez partiellement la batterie dans son compartiment, les bornes vers l'extérieur.
4. Connectez les fils rouge (+) et noir (-) de l'ouvre-porte de garage aux bornes correspondantes de la batterie.
5. Remplacez le couvercle de la batterie.
6. Branchez l'ouvre-porte du garage.

DEL DE STATUT DE LA BATTERIE

DEL VERTE :

Tous les systèmes sont normaux.

- Une DEL verte allumée en continu indique que la batterie est entièrement chargée.
- Une DEL verte clignotante indique que la batterie est en cours de chargement.

DEL ORANGE :

L'ouvre-porte de garage a perdu de l'énergie et est en mode de secours par batterie.

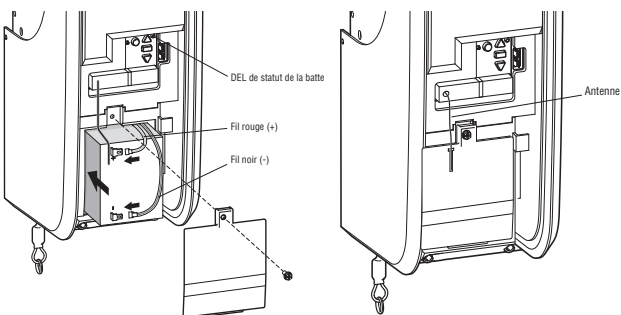
- Une DEL orange allumée en continu accompagnée d'un signal sonore, émis toutes les 2 secondes environ, indique que l'ouvre-porte de garage fonctionne sur batterie.
- Un voyant orange clignotant accompagné d'un bip sonore toutes les 30 secondes indique que la batterie est faible.

DEL ROUGE :

La batterie 12 V de l'ouvre-porte de garage doit être remplacée.

- Une DEL rouge allumée en continu avec un bip sonore toutes les 30 secondes indique que la batterie 12 V ne tient plus la charge et doit être remplacée. Remplacez la batterie de secours pour maintenir la fonction de secours sur batterie.

REMARQUE : Il n'est pas nécessaire que la batterie soit complètement chargée pour faire fonctionner l'ouvre-porte de garage.



REMARQUE : Assurez-vous que la courte antenne n'est pas pincée par le couvercle de la batterie et maintenue en place comme indiqué.

! WARNING

Pour réduire les risques d'INCENDIE ou de BLESSURE CORPORELLE :

- Débranchez TOUTE l'alimentation électrique et la batterie AVANT d'effectuer TOUT entretien ou toute maintenance.
- Utilisez UNIQUEMENT la pièce 485LM de Chamberlain pour remplacer la batterie.
- NE jetez PAS la batterie dans un feu. La batterie peut exploser. Vérifiez les codes locaux pour les instructions d'élimination.

! CAUTION

Portez TOUJOURS des gants et des lunettes de protection lorsque vous changez la batterie ou que vous travaillez autour du compartiment de la batterie.

Réglage

1 Identifier le profil de la porte

Pour identifier le numéro du profil de la porte, mesurez le diamètre complet du tambour en vous basant sur les images ci-dessous.

REMARQUE : Cette étape est importante pour assurer le bon fonctionnement de l'appareil.

Pour visionner une démonstration vidéo de l'identification et du réglage du profil de la porte, scannez le code QR.



WARNING

Pour éviter tout risque de BLESSURE GRAVE voire MORTELLE, suivez les instructions afin de sélectionner et de régler le profil de la porte de manière à ce qu'elle fonctionne correctement et en toute sécurité.

Porte sectionnelle à levée standard

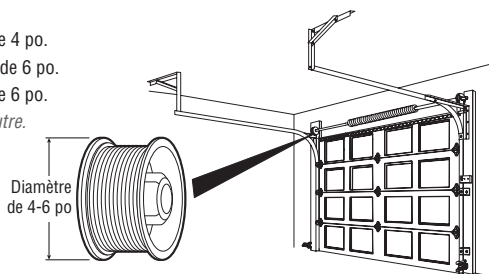
- Profil de porte 1 = Porte dont le poids est de standard à lourd*, avec un tambour de 4 po (recommandé).
- Profil de porte 2 = Porte dont le poids est léger, avec un tambour de 4 po.
- Profil de porte 3 = Porte dont le poids est lourd*, avec un tambour de 6 po.
- Profil de porte 4 = Porte dont le poids est léger, avec un tambour de 6 po.

*REMARQUE : la taille des tambours peut varier d'un fabricant à l'autre.

Pour les portes à section levante standard :

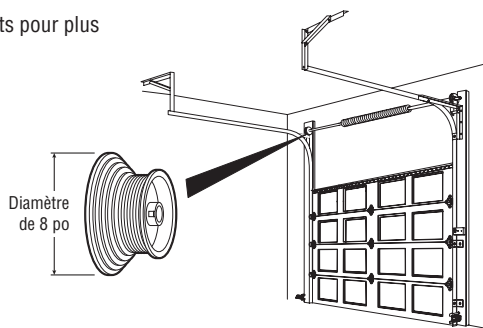
- Pour les tambours de 5 po ou moins, utilisez un tambour de 4 po.
- Pour les tambours de plus de 5 po, utilisez un tambour de 6 po.

Les portes d'un poids standard à lourd sont celles dont l'intérieur est en bois massif, l'extérieur est en plaqué bois, les fenêtres sont en verre, et avec isolation et/ou décorations.



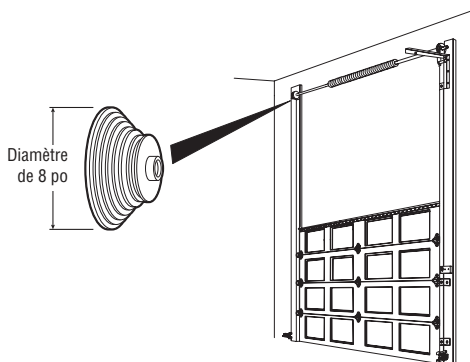
Porte à grande levée

- Profil de porte 5 = Tambour conique avec des rails plus hauts pour plus d'élévation



Porte sectionnelle à levée verticale

- Profil de porte 5 = Tambour conique avec rails s'élevant verticalement au-dessus de l'ouverture.



Réglage

2 Définir le profil de la porte

1. Pour entrer dans le mode Identifier le profil de la porte, appuyez sur le bouton noir et maintenez-le enfoncé pendant une seconde. Les boutons vers le HAUT et le BAS prennent une couleur unie.
2. Pour définir le profil de la porte, appuyez sur les boutons vers le HAUT et le BAS. La touche DEL d'apprentissage clignote et émet des bips lorsque vous modifiez le réglage.
3. Le nombre de clignotements de la touche d'apprentissage à DEL indique le profil sélectionné. Il n'y a pas de profil de porte prédéfini.

Clignotement	Taille du tambour	Type de porte	Poids de porte non équilibré
1	4 po	Sectionnelle	> 180 lb
2	4 po	Sectionnelle	< 180 lb
3	6 po	Sectionnelle	> 400 lb
4	6 po	Sectionnelle	< 400 lb
5	8 po	Haute levée ou verticale	S/O

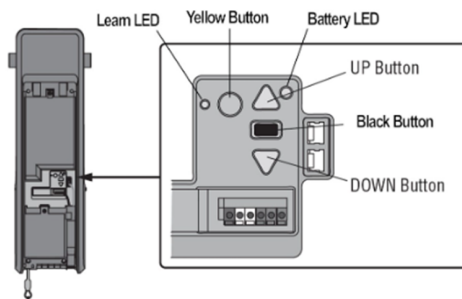
4. Appuyez et libérez sur le bouton noir et maintenez-le enfoncé pour définir le Profil de la porte. Ce processus est maintenant terminé. Passez au mode d'apprentissage du déplacement.

QUITTER LE MODE DE RÉGLAGE DU NUMÉRO DE PROFIL DE LA PORTE

Si aucune sélection n'est effectuée dans les 4,5 minutes, le mode de sélection du profil de la porte est annulé, ce qui est indiqué par un long bip.

WARNING

Pour éviter des blessures graves voire mortelles, reprogrammez les limites après toute modification du profil de la porte.



Réglage

3 Programmer le déplacement

! WARNING

Si le capteur d'inversion de sécurité n'est pas installé correctement, les personnes (en particulier les jeunes enfants) peuvent SUBIR DES BLESSURES GRAVES voire MORTELLES par une porte de garage qui se ferme.

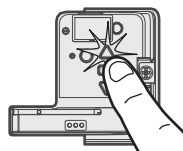
- Un réglage incorrect des limites de déplacement de la porte de garage empêchera le bon fonctionnement du système d'inversion de sécurité.
- Vous DEVEZ tester le système d'inversion de sécurité après TOUT réglage. La porte DOIT s'inverser au contact d'un objet d'une hauteur de 3,8 cm (1-1/2 po) (ou un 2x4 posé à plat) sur le sol.

REMARQUE : Pendant la programmation du déplacement, les boutons fléchés vers le HAUT et vers le BAS peuvent être utilisés pour déplacer la porte selon les besoins. Pendant la configuration de la force automatique, la porte s'ouvre et se ferme automatiquement.

- 1 Appuyez et maintenez le bouton fléché vers le HAUT jusqu'à ce que la porte soit dans la position OUVVERTE souhaitée.



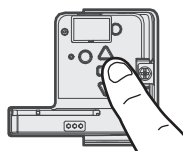
- 2 Une fois que la porte est dans la position OUVVERTE souhaitée, appuyez et relâchez le bouton de réglage. Les lumières de l'ouvre-porte de garage clignoteront deux fois et le bouton fléché vers le BAS commencera à clignoter.



- 3 Appuyez et maintenez le bouton fléché vers le BAS jusqu'à ce que la porte soit dans la position DESCENDUE souhaitée.



- 4 Une fois que la porte est dans la position DESCENDUE souhaitée, appuyez et relâchez le bouton de réglage. Les lumières de l'ouvre-porte de garage clignoteront deux fois. Le programme du déplacement est maintenant terminée. Si les lumières de l'ouvre-porte de garage clignotent 5 fois, la programmation est terminée et les limites de déplacement n'ont pas été réglées. Veuillez redémarrer le programme le processus de déplacement.



4 Configuration de la force automatique

Lorsque les positions de montée et de descente ont été réglées manuellement, les capteurs d'inversion de sécurité se reconnectent et deviennent opérationnels. L'ouvre-porte entre ensuite dans une opération de détection de force en déplaçant automatiquement la porte pour l'ouvrir et la fermer. L'ouvre-porte de garage émet une alerte sonore et visuelle avant d'ouvrir et de fermer automatiquement la porte. L'ouvre-porte de garage émettra trois bips, confirmant que la configuration de la force automatique s'est déroulée avec succès. Le réglage est terminé.

Si vous entendez un long bip après que la porte ait tenté de se déplacer, cela signifie que le réglage de la force automatique ne s'est pas déroulé correctement. Veuillez recommencer à l'étape 1 de Programmer le déplacement.



Réglage

5 Faites un test pour vérifier le système d'inversion de sécurité.

WARNING

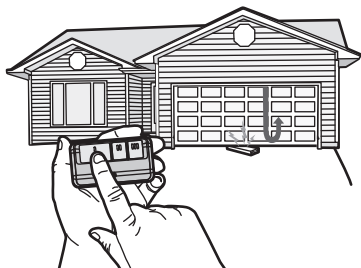
Si le capteur d'inversion de sécurité n'est pas installé correctement, les personnes (en particulier les jeunes enfants) peuvent SUBIR DES BLESSURES GRAVES voire MORTELLES par une porte de garage qui se ferme.

- Le système d'inversion de sécurité DOIT être testé tous les mois.
- Vous DEVEZ tester le système d'inversion de sécurité après TOUT réglage. La porte DOIT s'inverser au contact d'un objet d'une hauteur de 3,8 cm (1-1/2 po) (ou un 2x4 à plat) posé sur le sol.

- 1 La porte étant complètement ouverte, placez une planche de 3,8 cm (1 1/2 pouce) (ou un 2x4 à plat) sur le sol, au centre, dessous la porte du garage.



- 2 Appuyez sur le bouton poussoir de la télécommande pour fermer la porte. La porte DOIT s'inverser lorsqu'elle entre en contact avec la planche.



Si la porte s'arrête mais ne se réouvre pas :

1. Répétez la programmation du déplacement (voir l'étape de réglage 1) ;
2. Répétez le test d'inversion de sécurité.

Si le test continue d'échouer, appelez un technicien qualifié en systèmes de portes.

6 Testez le système de protection®

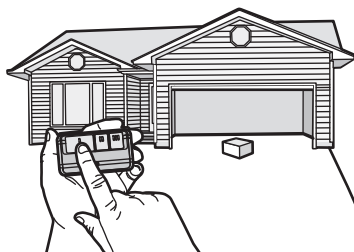
WARNING

Si le capteur d'inversion de sécurité n'est pas installé correctement, les personnes (en particulier les jeunes enfants) peuvent SUBIR DES BLESSURES GRAVES voire MORTELLES causées par une porte de garage qui se ferme.

- 1 Ouvrez la porte. Placez un obstacle sur le chemin de la porte.



- 2 Appuyez sur le bouton poussoir de la télécommande pour fermer la porte. La porte ne bougera pas de plus de 2,5 cm (1 po).



L'ouvre-porte de garage ne se ferme pas à partir d'une télécommande si le témoin lumineux de l'un ou l'autre des capteurs est éteint (ce qui vous avertit du fait que le capteur est mal aligné ou obstrué).

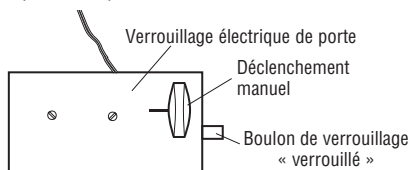
Si l'ouvre-porte de garage ferme la porte lorsque le capteur d'inversion de sécurité est obstrué (et que les capteurs ne sont pas à plus de 15 cm [6 po] du sol), appelez un technicien qualifié en systèmes de portes.

Réglage (suite)

7 Tester le verrou électrique de porte

1. Lorsque la porte est complètement fermée, vérifiez que le boulon de verrouillage électrique est visible et qu'il dépasse du rail.
2. Appuyez sur le bouton de la télécommande pour ouvrir la porte du garage. Le verrou électrique de la porte doit se rétracter avant que la porte ne commence à bouger.
3. Appuyez sur le bouton de la télécommande pour fermer la porte du garage. Lorsque la porte atteint la position complètement fermée, le verrou électrique de la porte doit s'activer automatiquement pour sécuriser la porte.

REMARQUE : Le verrou électrique de porte peut être déverrouillé manuellement en faisant glisser la poignée de déverrouillage manuel en position ouverte. Toutefois, si le verrou électrique de porte ne fonctionne pas, contactez Chamberlain pour le remplacer.



⚠ WARNING

Pour éviter d'éventuelles BLESSURES GRAVES voire MORTELLES causées par une porte de garage qui tombe :

- Dans la mesure du possible, utilisez UNIQUEMENT la poignée de déverrouillage d'urgence pour désengager le chariot lorsque la porte du garage est FERMÉE. Des ressorts faibles ou cassés, ou une porte déséquilibrée peuvent entraîner une chute rapide et/ou inattendue d'une porte ouverte.
- N'utilisez JAMAIS la poignée de déverrouillage d'urgence si l'entrée de la porte de garage est obstruée.

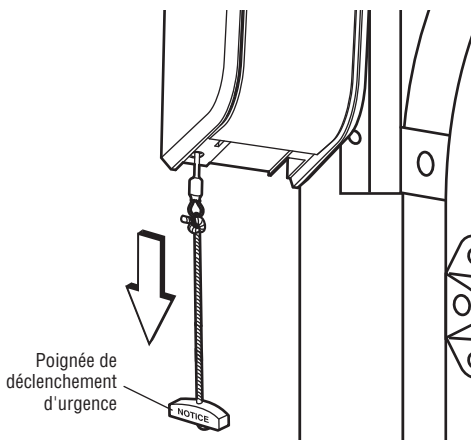
8 Tester le déclenchement d'urgence

OUVREZ LA PORTE MANUELLEMENT :

1. Fermez la porte du garage. Faites glisser la poignée de déverrouillage manuel de la serrure de la porte électrique pour l'ouvrir avant de continuer.
2. Tirez vers le bas sur la poignée de déverrouillage d'urgence jusqu'à ce que vous entendiez un clic.
3. Soulevez la porte manuellement.

REBRANCHEZ LA PORTE À L'OUVRE-PORTE DE GARAGE :

1. Tirez vers le bas sur la poignée de déverrouillage d'urgence jusqu'à ce que vous entendiez un clic. La porte se reconnectera lors de la prochaine ouverture ou fermeture.



CONSIGNES DE SÉCURITÉ IMPORTANTES



Pour réduire le risque de BLESSURES GRAVES voire MORTELLES :

1. Lisez et suivez tous les avertissements et instructions.
2. Gardez TOUJOURS les télécommandes hors de portée des enfants. Ne permettez JAMAIS aux enfants de manipuler ou de jouer avec les boutons-poussoirs ou les télécommandes de la porte de garage.
3. Activez la porte UNIQUEMENT lorsqu'elle est clairement visible et réglée correctement, et qu'il n'y a pas d'obstacles à son déplacement.
4. Gardez TOUJOURS la porte de garage en vue et loin des personnes et des objets jusqu'à ce qu'elle soit complètement fermée. NE TRAVERSEZ JAMAIS LA PORTE LORSQU'ELLE EST EN MOUVEMENT.
5. PERSONNE NE DEVRAIT PASSER SOUS UNE PORTE ARRÊTÉE OU PARTIELLEMENT OUVERTE.
6. Si possible, utilisez la poignée de déverrouillage d'urgence pour dégager le chariot UNIQUEMENT lorsque la porte de garage est FERMÉE. Soyez prudent lorsque vous utilisez cette poignée pendant que la porte est ouverte. Des ressorts faibles ou cassés ou une porte déséquilibrée peuvent entraîner une chute rapide et/ou inattendue de la porte ouverte et augmenter le risque de BLESSURES GRAVES voire MORTELLES.
7. N'utilisez JAMAIS la poignée de déverrouillage d'urgence à moins que la porte du garage ne soit dégagée de personnes et d'obstacles.
8. N'utilisez JAMAIS la poignée de déverrouillage d'urgence pour ouvrir ou fermer la porte du garage. Si le nœud de la corde se défait, vous risquez de tomber.
9. Après TOUT réglage, le système d'inversion de sécurité DOIT être testé.
10. Le système d'inversion de sécurité DOIT être testé tous les mois. La porte DOIT s'inverser au contact d'un objet d'une hauteur de 3,8 cm (1-1/2 po) (ou un 2x4 à plat) posé sur le sol. Une installation inadéquate de l'ouvre-porte de garage augmente le risque de BLESSURE GRAVE ou MORTELLE.
11. VEILLEZ TOUJOURS À CE QUE LA PORTE DE GARAGE SOIT ÉQUILIBRÉE CORRECTEMENT. Une porte mal équilibrée risque de ne PAS s'inverser lorsque cela est nécessaire et pourrait entraîner des BLESSURES GRAVES voir MORTELLES.
12. TOUTES les réparations de câbles, de ressorts et d'autres éléments, qui sont tous soumis à une tension EXTRÊME, DOIVENT être effectuées par un technicien qualifié en systèmes de portes.
13. Débranchez TOUJOURS l'alimentation électrique de l'ouvre-porte de garage AVANT d'effectuer TOUTE réparation ou d'enlever les couvercles.
14. Ce système de commande est équipé d'une fonction de fonctionnement sans surveillance. La porte pourrait bouger de façon inattendue. NE TRAVERSEZ JAMAIS LA PORTE LORSQU'ELLE EST EN MOUVEMENT.

15. CONSERVEZ CES INSTRUCTIONS.

Fonctionnement

Utilisation de votre ouvre-porte de garage

CARACTÉRISTIQUES

Votre ouvre-porte de garage est équipé de fonctions qui vous permettent de mieux contrôler le fonctionnement de votre porte de garage.

Alert2Close

La fonction Alert2Close fournit une alerte visuelle et sonore indiquant qu'une porte non surveillée est en train de se fermer.

MINUTERIE DE FERMETURE (TTC)

La fonction TTC ferme automatiquement la porte après une période de temps déterminée qui peut être réglée à l'aide d'une commande de porte TTC (modèles 881LMW ou 880LMW). Avant et pendant la fermeture de la porte, les lumières de l'ouvre-porte de garage clignoteront et l'ouvre-porte de garage émettra un bip. La lumière DEL à distance myQ doit être installée pour l'utilisation de la minuterie de fermeture ou myQ pour contrôler la porte.

myQ

myQ vous permet de contrôler votre ouvre-porte de garage depuis votre appareil mobile ou votre ordinateur, où que vous soyez. La technologie myQ utilise un signal de 900 Mhz pour assurer une communication bidirectionnelle entre l'ouvre-porte de garage et les accessoires compatibles myQ. L'ouvre-porte de garage

possède une passerelle interne qui lui permet de communiquer directement avec un réseau Wi-Fi domestique et d'accéder à votre compte myQ.

LE PROTECTOR SYSTEM (CAPTEURS D'INVERSION DE SÉCURITÉ)

Lorsqu'ils sont connectés et alignés correctement, les capteurs d'inversion de sécurité détectent une obstruction dans la trajectoire du faisceau infrarouge. Si un obstacle brise le faisceau infrarouge pendant la fermeture de la porte, la porte s'arrête, puis retourne en position complètement ouverte. Si la porte est complètement ouverte et que les capteurs d'inversion de sécurité ne sont pas installés ou sont mal alignés, la porte ne se fermera pas à l'aide d'une télécommande. Cependant, vous pouvez fermer la porte si vous maintenez le bouton de la commande de la porte ou du système d'accès sans clé jusqu'à ce que la porte soit complètement fermée. Les capteurs d'inversion de sécurité n'affectent pas le cycle d'ouverture. Pour plus d'information, voir page 22.

LUMIÈRES

Le voyant de l'ouvre-porte de garage s'allume lorsque l'ouvre-porte est initialement branché, lorsque le courant est rétabli après une interruption ou lorsque l'ouvre-porte de garage est activé. La lumière s'éteint automatiquement après 4 minutes et demie.

UTILISATION DE VOTRE OUVRE- PORTE DE GARAGE

L'ouvre-porte de garage peut être activé par une commande de porte murale, une télécommande, un système d'entrée sans clé sans fil ou un accessoire myQ. Lorsque la porte est fermée et que l'ouvre-porte de garage est activé, la porte s'ouvre. Si la porte entre en contact avec un obstacle pendant l'ouverture, la porte s'arrête, l'ouvre-porte émet des bips et les lumières clignent 5 fois. Lorsque la porte est dans une position autre que fermée et que l'ouvre-porte de garage est activé, la porte se ferme. Si l'ouvre-porte de garage entre en contact avec une obstruction en fermant, la direction de la porte sera inversée. Cependant, vous pouvez fermer la porte si vous maintenez le bouton de la commande de la porte ou du clavier sans fil jusqu'à ce que la porte soit complètement fermée. Les capteurs d'inversion de sécurité n'affectent pas le cycle d'ouverture. Le capteur d'inversion de sécurité doit être connecté et aligné correctement avant que l'ouvre-porte de garage fasse descendre la porte.

BATTERIE DE SECOURS

La batterie de secours de 12 V permet d'entrer et de sortir de votre garage, même en cas de panne de courant. Lorsque l'ouvre-porte de garage fonctionne sur batterie, l'ouvre-porte de garage fonctionnera plus lentement, la lumière ne fonctionnera pas, le voyant DEL d'état de la batterie sera orange fixe et un bip retentira toutes les 2 secondes environ.

CAPACITÉ DE MÉMOIRE

ACCESSOIRES SECURITY+ 2.0	CAPACITÉ DE MÉMOIRE
Télécommandes	Jusqu'à 40
Commandes de porte	Jusqu'à 2 panneaux de commande intelligents ou 4 de n'importe quelle autre commande de porte Security+ 2.0
Entrées sans clé	Jusqu'à 4
Accessoires myQ	Jusqu'à 16

Fonctionnement

Connectez-vous avec votre téléphone intelligent

L'ouvre-porte de garage Wi-Fi est compatible avec un maximum de 16 accessoires myQ. Jusqu'à 10 dispositifs peuvent être jumelés à la passerelle interne de l'ouvre-porte de garage Wi-Fi. Ces appareils peuvent être contrôlés avec l'application myQ. Ces dispositifs comprennent toute combinaison d'opérateurs de porte myQ, d'ouvre-porte de garage Wi-Fi, de commandes d'éclairage myQ, d'opérateurs de portail myQ ou d'opérateurs de porte commerciale myQ. Une passerelle Internet LiftMaster (828LM) peut être ajoutée si vous avez besoin de contrôler plus de 10 appareils à l'aide de l'appli myQ. Jusqu'à 6 dispositifs peuvent être associés à l'ouvre-porte de garage lui-même (contrôlé par l'ouvre-porte de garage via 900 MHz). Ces dispositifs comprennent toute combinaison de des commandes d'éclairage ou un moniteur de porte de garage ou de barrière myQ.

Vous aurez besoin de ce qui suit :

- Téléphone intelligent, tablette ou ordinateur portable compatible Wi-Fi
- Connexion Internet à large bande
- Signal Wi-Fi dans le garage (**2,4 Ghz, 802.11b/g/n requis**), reportez-vous à la page 3.
- Mot de passe de votre réseau domestique (le compte principal du routeur ; pas le réseau invité)
- Numéro de série myQ indiqué sur l'ouvre-porte de garage

SYNCHRONIZER LA COMMANDE DE PORTE

Pour synchroniser la commande de la porte avec l'ouvre-porte de garage, appuyez sur la barre de poussée jusqu'à ce que l'ouvre-porte de garage s'active (cela peut prendre jusqu'à 3 pressions). L'ouvre-porte de garage doit effectuer un cycle complet avant d'activer la programmation Wi-Fi.

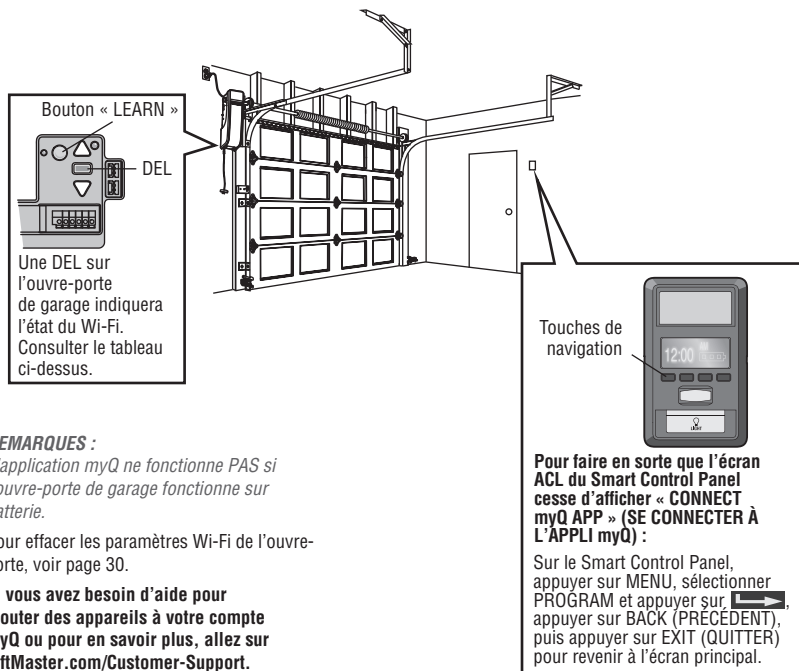
TÉLÉCHARGER L'APPLICATION myQ POUR CRÉER UN COMPTE ET SE CONNECTER

Ouvrez et fermez votre porte, recevez des alertes et définissez des horaires à partir de n'importe où. Les ouvre-portes de garage intelligents connectés reçoivent également des mises à jour logicielles afin de garantir que l'ouvre-porte dispose des dernières fonctionnalités opérationnelles.

1. Téléchargez l'application myQ.
2. Créez un compte et connectez-vous.

Pour plus d'information sur la connexion de votre ouvre-porte de garage, visitez Liftmaster.com/Customer-Support.

Statut Wi-Fi	
DEL	Définition
Bleu	Éteint - Le Wi-Fi n'est pas activé. Clignotant - L'ouvre-porte de garage est en mode d'apprentissage Wi-Fi. Allumé en continu - Appareil mobile connecté à l'ouvre-porte de garage.
Bleu et Vert	Clignotant - Tentative de connexion au routeur.
Vert	Clignotant - Tentative de connexion au serveur Internet. Allumé en continu - Le Wi-Fi a été configuré et l'ouvre-porte de garage est connecté à Internet.



REMARQUES :

L'application myQ ne fonctionne PAS si l'ouvre-porte de garage fonctionne sur batterie.

Pour effacer les paramètres Wi-Fi de l'ouvre-porte, voir page 30.

Si vous avez besoin d'aide pour ajouter des appareils à votre compte myQ ou pour en savoir plus, allez sur LiftMaster.com/Customer-Support.

Fonctionnement

Utilisation de la commande de porte

POUR SYNCHRONISER LA COMMANDE DE LA PORTE à l'ouvre-porte de garage, appuyez sur la barre de poussée jusqu'à ce que l'ouvre-porte de garage se mette en fonction (cela peut prendre jusqu'à 3 poussées). Essayez la commande de la porte en appuyant sur la barre de poussée, chaque poussée sur la barre de poussée activera l'ouvre-porte de garage.

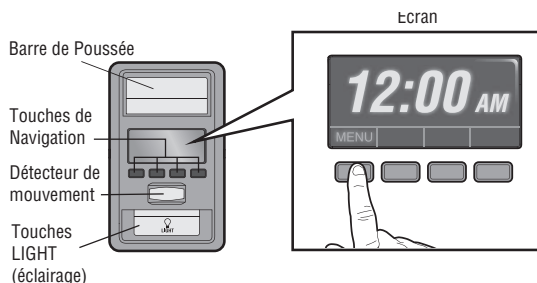
Il est possible de raccorder à l'ouvre-porte de garage jusqu'à 2 Smart Control Panels ou 4 de tout autre panneaux de commande Security+ 2.0.

BARRE DE POUSSÉE Appuyez sur la barre de poussée pour ouvrir ou fermer la porte.

BOUTONS DE NAVIGATION Utilisez les boutons de navigation pour sélectionner et programmer les options.

BOUTON LIGHT (LUMIÈRE) : Enfoncez le bouton LIGHT pour allumer ou éteindre les lumières de l'ouvre-porte de garage. Lorsque les lumières sont allumées, elles le demeureront jusqu'à ce que le bouton LIGHT soit enfoncé à nouveau, ou jusqu'à ce que l'ouvre-porte de garage soit activé. Une fois l'ouvre-porte de garage activé, les lumières s'éteignent après le délai précisé (le paramètre réglé en usine est de 4 minutes et demie). Le bouton LIGHT ne permet pas de contrôler les lumières lorsque la porte est en mouvement.

SCREEN (ÉCRAN) affiche l'heure et la température jusqu'à ce que vous appuyiez sur la touche Menu, puis il affiche les options du menu. S'il y a un problème avec l'ouvre-porte de garage, l'écran affiche le code de diagnostic. Reportez-vous à la section Dépannage.



Les fonctions suivantes sont accessibles à l'écran à l'aide des boutons de navigation :

DISPOSITIF LEARN Toutes les télécommandes, les claviers sans fil ou les accessoires myQ compatibles peuvent être programmés sur l'ouvre-porte de garage en allant sur le menu et en utilisant les boutons de navigation.

La fonction LOCK est conçue pour empêcher l'activation de l'ouvre-porte de garage à partir de télécommandes tout en permettant l'activation à partir de la commande de la porte et du système d'entrée sans clé. Cette fonction est utile pour une plus grande tranquillité d'esprit lorsque la maison est vide (par ex. pour les vacances).

MINUTERIE DE FERMETURE

N'ACTIVEZ PAS la minuterie de fermeture pour une porte en une seule pièce (monobloc). La minuterie de fermeture doit être utilisée **UNIQUEMENT** avec les portes sectionnelles. La minuterie de fermeture peut être configuré pour fermer automatiquement votre porte de garage à partir de la position entièrement ouverte après une période de temps spécifiée (intervalles de 1, 5, 10 minutes ou un réglage personnalisé jusqu'à 99 minutes). L'ouvre-porte de garage émet un bip et les lumières clignotent avant la fermeture de la porte. L'écran du panneau de commande peut afficher l'état de la minuterie de fermeture. La minuterie de fermeture ne fonctionnera pas si l'ouvre-porte de garage fonctionne sur batterie ou si les capteurs d'inversion de sécurité sont désalignés. Cette fonction n'est PAS destinée à être la principale méthode de fermeture de la porte. **Une entrée sans clé devrait être installée au cas où la porte est accidentellement barrée en utilisant cette option.** La lumière DEL à distance myQ doit être installée pour utiliser la minuterie de fermeture ou myQ pour contrôler la porte.

REMARQUE : Avant d'activer la minuterie de fermeture pour la première fois ou s'il y a une panne d'électricité faites effectuer un cycle d'ouverture et de fermeture à la porte pour permettre à la minuterie de fermeture de se régler.

LUMIÈRE AUTOMATIQUE

Capteur de mouvement

Le réglage par défaut est ON (allumé). Cette fonction permet d'allumer automatiquement les lumières de l'ouvre-porte de garage lorsqu'un mouvement est détecté. Si vous utilisez la lampe de l'ouvre-porte de garage comme lampe de travail, désactivez le détecteur de mouvement, sinon la lampe s'éteindra automatiquement si vous êtes hors de portée du détecteur.

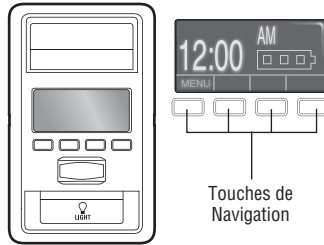
ALERTE D'ENTRETIEN (MAS) Cette option aide les propriétaires à veiller à ce que leur système d'ouvre-porte de garage demeure en bonne condition de fonctionnement. Lorsque l'ouvre-porte de garage nécessite un entretien (environ 4500 cycles de l'ouvre-porte) les voyants à DEL de la commande (jaune) et de l'entretien (rouge) commenceront à clignoter en alternance. Le réglage par défaut pour le MAS est à l'arrêt et peut être activé lors de l'installation. Communiquez avec votre revendeur pour l'entretien.

Fonctionnement

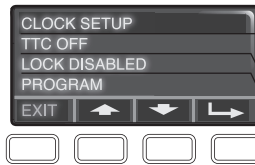
CONFIGURATION

Les fonctions de la commande de la porte peuvent être programmées par une série de menus sur l'écran et les boutons de navigation. Reportez-vous aux descriptions ci-dessous.

SCREEN (ÉCRAN) L'écran principal affiche l'heure, la température et la charge actuelle de la batterie (le cas échéant).



FEATURES (FONCTIONS) Appuyez sur le bouton de navigation situé sous MENU pour afficher le menu des fonctions.



Set the time, choose 12 or 24 hour clock and show/hide clock.

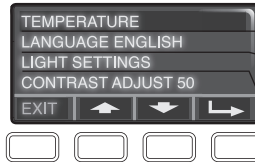
For sectional doors ONLY. Set the Timer-to-Close feature off/on and set the time interval before door closes. **NOTE: DO NOT enable TTC if operating a one-piece door. TTC is to be used ONLY with sectional doors.**

Enable/disable lock.

Set up Wi-Fi*, add remote controls, myQ devices, an extra remote button to control your garage door opener lights, or a keyless entry.

* The garage door opener must run through a complete cycle before it will activate Wi-Fi programming. For help related to Wi-Fi, visit WiFiHelp.LiftMaster.com.

SETTINGS (PARAMÈTRES) Appuyez sur le bouton de navigation sous la flèche vers le bas jusqu'à ce que vous voyiez TEMPERATURE pour afficher le menu Paramètres.



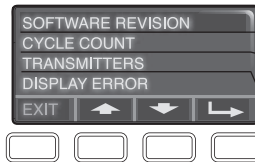
Display the temperature in Fahrenheit or Celsius and show/hide the temperature.

Select a language.

Set duration for garage door opener light to stay on after operation, selectable range of 1-1/2 to 4-1/2 minutes. Turn the Motion sensor off/on, and turn the entry light feature off/on.

Adjust the contrast of the screen.

ENTRETIEN Appuyez sur le bouton LIGHT et maintenez-le enfoncé, puis appuyez sur le deuxième bouton de navigation pour afficher le menu Service.



Displays software version information.

Turn the Maintenance Alert (MAS) on/off.

Displays the number of remote controls, myQ devices, door controls and keyless entries currently programmed to operate the garage door opener.

Displays any errors that have occurred.

Pour programmer une télécommande ou une entrée sans clé à l'ouvre-porte de garage en utilisant une commande de porte, voir la page 29.

Programmation

Télécommande 893MAX

La télécommande a été programmée en usine pour fonctionner avec votre ouvre-porte de garage. Si la commande ne fonctionne pas ou si vous voudriez programmer des dispositifs supplémentaires, suivez les étapes de programmation ci-dessous.

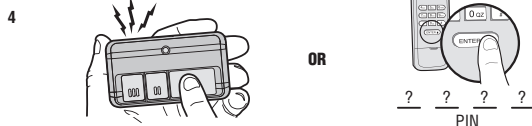
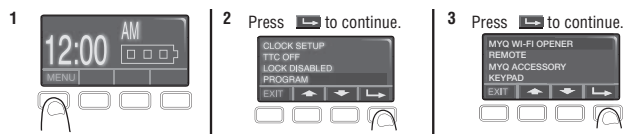
Jusqu'à 40 télécommandes Security+ 2.0 peuvent être programmées à l'ouvre-porte de garage. Les anciennes télécommandes LiftMaster ne sont PAS compatibles, voir page 38 pour les accessoires compatibles. La programmation peut être effectuée à l'aide du bouton Learn (apprentissage) de l'ouvre-porte de garage. Pour programmer des accessoires supplémentaires voir les instructions fournies avec l'accessoire ou visiter LiftMaster.com. Si votre véhicule est équipé d'un Homelink, il est possible que vous ayez besoin d'un adaptateur externe en fonction de la marque, du modèle et de l'année de votre véhicule. Visitez www.homelink.com pour obtenir des renseignements supplémentaires.

POUR AJOUTER, REPROGRAMMER OU MODIFIER UNE TÉLÉCOMMANDE OU UN SYSTÈME D'ENTRÉE SANS CLÉ À L'AIDE DE LA COMMANDE DE LA PORTE

1. Appuyez sur le bouton de navigation situé sous MENU pour afficher le menu des fonctions.
2. Utilisez les boutons de navigation pour faire défiler jusqu'à « PROGRAM » (programme).
3. Sélectionner « REMOTE » (à distance) ou « KEYPAD » (clavier) pour programmer à partir du menu du programme.
4. **Télécommande** : Appuyez sur le bouton de la télécommande que vous voulez utiliser pour faire fonctionner votre porte de garage.

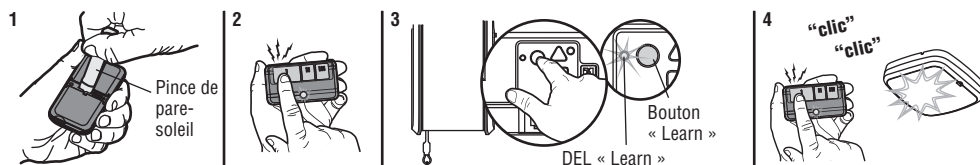
Entrée sans clé : Entrez un numéro d'identification personnel (NIP) à 4 chiffres de votre choix sur le clavier du dispositif d'entrée sans clé. Appuyez ensuite sur la touche ENTER (entrée).

Les lumières de l'ouvre-porte de garage clignoteront (ou vous entendrez deux clics) lorsque le code est programmé. Refaites les étapes pour programmer des télécommandes ou des dispositifs d'entrée sans clé supplémentaires. Si la programmation n'aboutit pas, programmez la télécommande à l'aide de la touche de programmation.



PROGRAMMER UNE COMMANDE À DISTANCE 893MAX EN UTILISANT LE BOUTON LEARN SUR L'OUVRE-PORTE DE GARAGE

1. Appuyez et maintenez enfoncé le bouton de programmation de la télécommande jusqu'à ce que le voyant à DEL situé à l'avant de la télécommande s'allume.
2. Appuyez sur la touche de la télécommande que vous souhaitez utiliser et relâchez-la, puis appuyez sur un autre bouton pour sortir de la programmation.
3. Appuyez et relâchez le bouton LEARN sur l'ouvre-porte de garage. Le voyant à DEL d'apprentissage s'allume. Pendant les 30 secondes...
4. Appuyez sur le bouton de la télécommande programmé à l'étape 2 jusqu'à ce que le voyant de l'ouvre-porte de garage clignote ou que deux clics se fassent entendre.



Pour programmer d'autres types de télécommande ou d'entrée sans clé, reportez-vous aux instructions incluses avec l'appareil ou visitez LiftMaster.com/Customer-Support.

Programmation

Programmer la lampe à DEL de la télécommande myQ

La lampe télécommandée de votre ouvre-porte de garage a déjà été programmée en usine pour fonctionner avec votre ouvre-porte. Toute lampe télécommandée supplémentaire ou de remplacement devra être programmée.

PROGRAMMER UN OUVRE-PORTE À LA LUMIÈRE À DISTANCE DEL myQ

1. Appuyez sur le bouton LEARN (apprentissage) de la lampe jusqu'à ce que la DEL verte s'allume.
2. Localisez le bouton LEARN (apprentissage) sur l'ouvre-porte de garage. **OU**

Sur le panneau Smart Control® allez à Menu > Program > myQ Accessory (Menu, Programme, Accessoires myQ).

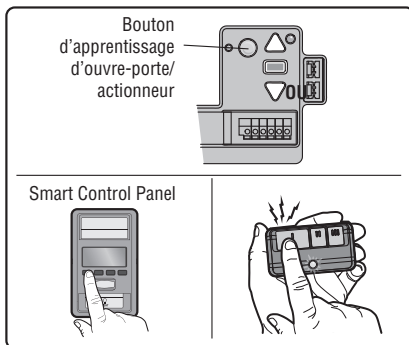
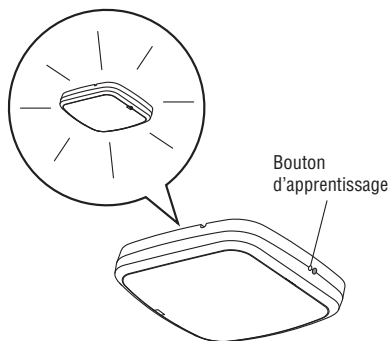
3. Le code a été programmé lorsque le voyant de la télécommande clignote une fois.

AJOUTER LA LUMIÈRE À DISTANCE DEL myQ À VOTRE COMPTE myQ

1. Appuyez sur le bouton LEARN (apprentissage) de la lampe jusqu'à ce que la DEL verte s'allume.
2. Ouvrez une session dans l'application myQ et ajoutez la lumière à distance DEL myQ.

POUR SUPPRIMER TOUTES LES PROGRAMMATION DE LUMIÈRE À DISTANCE DEL myQ

1. Appuyez sur le bouton LEARN (apprentissage) et maintenez-le enfoncé jusqu'à ce que la DEL s'éteigne (environ 6 à 10 secondes). Toute la programmation est maintenant effacée.



Pour effacer la mémoire

EFFACER TOUTES LES TÉLÉCOMMANDES ET LES ENTRÉES SANS CLÉS

1. Appuyez sur le bouton LEARN (apprentissage) et maintenez-le enfoncé jusqu'à ce que la DEL s'éteigne (environ 6 secondes). Tous les codes de télécommandes et des entrées sans clé sont maintenant effacés. Reprogrammez tout accessoire que vous voulez utiliser.

SUPPRIMER TOUS LES APPAREILS (y compris les accessoires compatibles avec myQ)

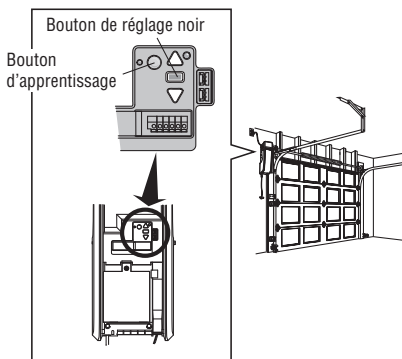
1. Appuyez sur le bouton LEARN (apprentissage) et maintenez-le enfoncé jusqu'à ce que la DEL s'éteigne (environ 6 secondes).
2. Appuyez immédiatement sur le bouton LEARN (apprentissage) et maintenez-le enfoncé jusqu'à ce que la DEL s'éteigne. Tous les codes sont maintenant supprimés. Reprogrammez tout accessoire que vous voulez utiliser.

EFFACER LE RÉSEAU WI-FI DE L'OUVRE-PORTE DE GARAGE

1. Appuyez sur le bouton de réglage noir de l'ouvre-porte de garage et maintenez-le enfoncé jusqu'à ce que vous entendiez 3 bips (environ 6 secondes).

SUPPRIMER UN COMPTE myQ

Allez sur myLiftMaster.com/Support pour supprimer votre compte myQ.



Programmation

HomeLink®

Dans le rare cas où le système HomeLink ne se programme pas avec l'ouvre-porte de garage Security+ 2.0, installez un ensemble de répétition. Reportez-vous aux instructions HomeLink ci-dessous.

HomeLink est le système pour véhicule. L'image utilisée est uniquement à titre de référence et votre produit peut être différent.

QUAND INSTALLER UN ENSEMBLE DE RÉPÉTITION HOMELINK?

Tous les véhicules de 2006 et plus anciens : un ensemble de répétition est nécessaire et doit être acheté par le propriétaire.

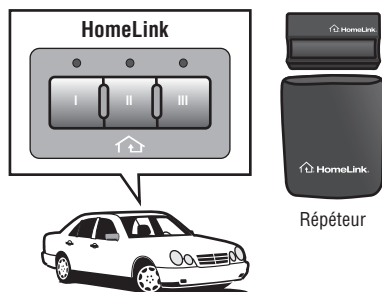
Tous les véhicules de 2007 et plus récents : programmez le HomeLink selon les instructions du véhicule. Si après UNE tentative de programmer le HomeLink à l'ouvre-porte de garage, vous n'y arrivez pas, installez un ensemble de répétition.

COMMENT COMMANDER

Commandez l'ensemble de répétition HomeLink chez un installateur ou appelez le 1-800-355-3515. Pour programmer l'ensemble de répétition HomeLink, consultez les instructions qui y sont jointes ou visitez le site : <http://www.homelink.com/program>.

FAITS RAPIDES SUR L'INSTALLATION

- Un seul ensemble de répétition est requis par foyer.
- Utilisez différents boutons HomeLink du véhicule si vous programmez plusieurs voitures, bouton 1 première voiture, bouton 2 deuxième voiture... etc.
- La télécommande HomeLink n'est PAS un ouvre-porte de garage.
- Si vous utilisez le répéteur HomeLink avec un ouvre-porte de garage doté d'un système de secours par batterie, assurez-vous que votre télécommande d'origine est programmée pour l'ouvre-porte de garage et placez-la dans votre boîte à gants pour l'utiliser en cas de panne de courant.
- La télécommande incluse dans cet ensemble DOIT être conservée pour une programmation ultérieure (nouveau véhicule, nouvel ouvre-porte de garage, etc).



Maintenance

Utilisation de votre ouvre-porte de garage

PLANIFICATION DE L'ENTRETIEN

TOUS LES MOIS

- Activez manuellement la porte. Si elle est déséquilibrée ou pliée, appelez un technicien qualifié en systèmes de porte.
- Vérifiez que la porte s'ouvre et se ferme complètement. Ajustez les limites si nécessaire (voir l'étape d'ajustement 1).
- Répétez le test d'inversion de sécurité. Effectuez les réglages nécessaires (voir l'étape d'étape de réglage 2).

TOUS LES ANS

- Huilez les rouleaux, les roulements et les charnières de porte. L'ouvre-porte de garage ne nécessite pas davantage de lubrification. N'appliquez pas de la graisse sur les rails de la porte.

TOUS LES DEUX À TROIS ANS

- Utilisez un chiffon pour enlever la graisse existante sur le rail de l'ouvre-porte de garage. Appliquez à nouveau une légère couche de graisse au lithium blanc sur le dessus et à l'intérieur de la surface du rail où le chariot glisse.

Lumière à distance DEL myQ

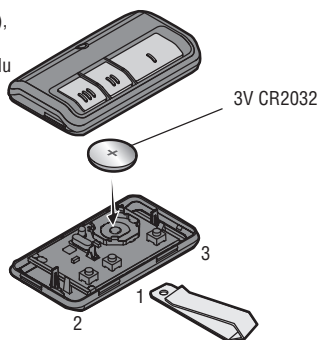
- Débranchez la lampe avant de la nettoyer.
- Utilisez un chiffon légèrement humidifié pour le nettoyage.
- N'utilisez PAS de nettoyeurs liquides sur la lentille de la lampe.

BATTERIE DE LA TÉLÉCOMMANDE

Les voyants à DEL sur votre télécommande vont arrêtés de clignoter lorsque la batterie est faible et doit être remplacée. Pour remplacer la batterie, ouvrez le boîtier comme illustré. Insérez la pile, face positive vers le haut (+).

Remplacez les piles seulement avec des piles CR2032 de 3 V. Jetez les piles usagées de manière appropriée.

Ouvrez le boîtier d'abord au milieu (1), puis de chaque côté (2 et 3) avec le clip du pare-soleil.



⚠ WARNING

Pour éviter d'éventuelles BLESSURES GRAVES voire MORTELLES :

- Ne laissez JAMAIS de jeunes enfants s'approcher des piles.
- En cas d'ingestion de la pile, prévenez immédiatement un médecin.

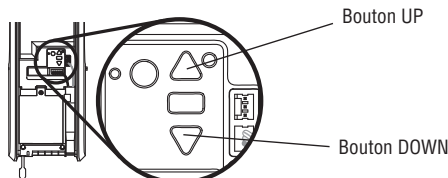
Pour réduire les risques d'incendie, d'explosion ou de brûlures chimiques respectez ce qui suit :

- Utilisez SEULEMENT des piles CR2032 de 3 V pour remplacer.
- Ne rechargez, démontez, chauffez PAS à plus de 100 °C (212 °F) et n'incinerez PAS.

Dépannage

Tableau des diagnostics

Votre ouvre-porte de garage est programmé pour s'autodiagnostiquer. Les flèches vers le HAUT et le BAS de l'ouvre-porte de garage clignotent pour indiquer les codes de diagnostics.



CODE DE DIAGNOSTIC		SYMPTÔME	SOLUTION
Flèche vers le haut clignote	Flèche vers le bas clignote		
1	1	L'ouvre-porte de garage ne ferme pas la porte.	Les capteurs de sécurité ne sont pas installés, connectés ou les fils peuvent être coupés. Inspectez les fils des capteurs pour vous assurer qu'ils sont connectés et ne sont pas coupés.
1	2	L'ouvre-porte de garage ne ferme pas la porte.	Il y a un court-circuit ou un fil inversé au niveau des capteurs de sécurité. Inspectez les fils de capteurs de sécurité à tous les points d'agrafage et de connexion, et remplacez les fils ou remédiez au problème selon le nécessaire.
1	3	La commande de la porte ne fonctionne pas.	Les fils de la commande de la porte sont court-circuités ou la commande de la porte fait défaut. Inspectez les fils de commande de la porte à tous les points d'agrafage et de connexion, et remplacez les fils ou remédiez au problème selon le nécessaire.
1	4	L'ouvre-porte de garage ne ferme pas la porte.	Les capteurs de sécurité sont mal alignés ou ont été momentanément obstrués. Alignez correctement les deux capteurs pour vous assurer que les deux voyants à DEL sont allumés en continu et ne clignotent pas. Assurez-vous que rien n'est accroché ou monté sur la porte qui pourrait interrompre la trajectoire des capteurs lors de la fermeture.
1	5	La porte se déplace de 15 à 20 cm, s'arrête ou s'inverse.	Ouvrez et fermez la porte manuellement. Vérifiez si elle est pliée ou s'il y a des obstructions comme un ressort brisé ou le dispositif de verrouillage et corrigez la situation, au besoin. Vérifiez les connexions des fils au module de déplacement et à la carte mère. Remplacez le module de déplacement, au besoin.
		Il n'y a aucun mouvement, seulement un clic.	Ouvrez et fermez la porte manuellement. Vérifiez si elle est pliée ou s'il y a des obstructions comme un ressort brisé ou le dispositif de verrouillage et corrigez la situation, au besoin. Remplacez la carte mère si nécessaire.
		L'ouvre-porte émet un son de bourdonnement pendant 1 à 2 secondes sans mouvement.	Ouvrez et fermez la porte manuellement. Vérifiez si elle est pliée ou s'il y a des obstructions comme un ressort brisé ou le dispositif de verrouillage et corrigez la situation, au besoin. Remplacez le moteur, au besoin.
1	6	Porte est en roue libre après l'arrêt complet.	Programmez le déplacement en position de roue libre ou faites équilibrer la porte par un technicien qualifié.
2	1-5	Aucun mouvement ou son.	Remplacez la carte mère.
3	1	L'ouvre-porte de garage bouge légèrement, puis s'arrête	Activez à nouveau l'ouvre-porte de garage. Si le problème persiste, remplacez la carte logique.
3	3	La DEL de statut de la batterie clignote constamment en vert.	Erreur du circuit de charge de la batterie de secours, remplacez la carte logique.
3	5	L'ouvre-porte de garage ne se ferme pas ou la porte s'inverse pendant le trajet.	<ul style="list-style-type: none"> • Vérifiez que l'apprentissage CTM est adapté à l'installation. • Détectez toute obstruction éventuelle de la porte et retirez-la. • Remplacez les CTM défectueux par des CTM en bon état pour effacer le code d'erreur (voir l'accessoire CTM en option).
4	1-4	La porte bouge, s'arrête et change de direction. L'ouvre-porte émet des bips et les voyants clignotent.	Ouvrez et fermez la porte manuellement. Vérifiez si elle est pliée ou s'il y a des obstructions comme un ressort brisé ou le dispositif de verrouillage et corrigez la situation, au besoin. Si la porte plie, ou colle, communiquez avec un technicien qualifié en systèmes de portes. Si la porte ne se bloque pas ou ne se coince pas, essayez de reprogrammer le déplacement.
4	5	L'ouvre-porte fonctionne environ pour un déplacement de 15 à 30 cm (6 à 8 po), s'arrête et change la direction du déplacement.	Erreur de communication avec le module de déplacement. Vérifiez les connexions du module de voyage, remplacez le module si nécessaire.
4	6	L'ouvre-porte de garage ne ferme pas la porte.	Les capteurs de sécurité sont mal alignés ou ont été momentanément obstrués. Alignez correctement les deux capteurs pour vous assurer que les deux voyants à DEL sont allumés en continu et ne clignotent pas. Assurez-vous que rien n'est accroché ou monté sur la porte qui pourrait interrompre la trajectoire du capteur lors de la fermeture.
5	5	La porte ne se ferme pas lorsque la minuterie de fermeture ou l'application myQ® pour téléphone intelligent est utilisée.	La lumière à distance DEL myQ doit être installée pour l'utilisation de la minuterie de fermeture ou myQ pour contrôler la porte. Branchez la lampe à DEL de la télécommande myQ et assurez-vous qu'elle est programmée pour l'ouvre-porte de garage.

Dépannage

Dépannage supplémentaire

L'ouvre-porte de garage ne fonctionne ni à partir de la commande de la porte ni à partir de la télécommande :

- L'ouvre-porte de garage est-il alimenté en électricité ? Branchez une lampe dans la prise. Si elle ne s'allume pas, vérifiez la boîte de fusible ou le disjoncteur. (Certaines prises sont contrôlées par un interrupteur mural.)
- Avez-vous désactivé tous les verrouillages de porte? Examinez les avertissements relatifs aux instructions d'installation à la page 8.
- Les connexions de câblage sont-elles correctes? Consultez à nouveau l'étape 5 de réglage.
- Y a-t-il une accumulation de glace ou de neige sous la porte? La porte pourrait être gelée au sol. Retirez tout ce qui pourrait bloquer.
- Le ressort de la porte de garage est peut-être cassé. Faites-le remplacer (reportez-vous à la page 3 pour référence).

L'ouvre-porte fonctionne à partir du poste de commande à bouton unique, mais pas à partir d'une télécommande :

- Reprogrammez la télécommande et remplacez la pile si nécessaire. Répétez l'opération avec toutes les télécommandes.

La porte s'ouvre et se ferme toute seule :

- Assurez-vous que tous les boutons poussoirs de la télécommande sont éteints.
- Retirez le fil de la sonnette des bornes du poste de commande à bouton unique et faites-le fonctionner uniquement à partir de la télécommande. Si cela résout le problème, soit le poste de commande à bouton unique est défectueux, soit il y a un court-circuit intermittent dans le fil. Remplacez le poste de commande.
- Effacez la mémoire et reprogrammez toutes les télécommandes (consultez les instructions fournies avec la télécommande ou visitez LiftMaster.com/Custom-Support).

Ma télécommande n'active pas la porte de garage :

- Vérifiez que la fonction de verrouillage n'est pas activée sur la commande de la porte.
- Reprogrammez la commande de la porte.
- Si la télécommande n'active toujours pas la porte, vérifiez les codes de diagnostic pour vous assurer que l'ouvre-porte de garage fonctionne correctement.

La télécommande a une courte portée :

- Changez l'emplacement de la télécommande dans votre voiture.
- Certaines installations peuvent avoir une portée plus courte en raison d'une porte métallique, d'une isolation à feuille d'aluminium ou d'un revêtement métallique de garage.

La porte arrête ou remonte aux limites de l'ouverture, l'ouvre-porte émet un bip et les lumières clignent 5 fois.

- Quelque chose obstrue-t-il la porte? Est-elle déséquilibrée ou y a-t-il des ressorts brisés? Retirez ce qui fait obstruction ou appelez un technicien qualifié en systèmes de porte pour réparer la porte.

La porte n'ouvre pas complètement :

- Vérifiez le verrouillage électrique de porte.

La porte ouvre, mais ne se ferme pas :

- Vérifiez que le moniteur de tension de câble est installé correctement. Si un deuxième moniteur de tension de câble a été retiré, suivez les instructions pour réacquiescer un moniteur de tension de câble simple (voir l'étape 4 de l'installation).
- Le capteur d'inversion de sécurité doit être connecté et aligné correctement avant que l'ouvre-porte de garage fasse descendre la porte. Si vous êtes en mesure de fermer la porte en exerçant une pression constante, vérifiez que les capteurs d'inversion de sécurité sont correctement installés, alignés et libres de toute obstruction (voir page 13).

La porte s'inverse sans raison apparente :

- Vérifiez que le moniteur de tension de câble est installé correctement. Si un deuxième moniteur de tension de câble a été retiré, suivez les instructions pour réacquiescer un moniteur de tension de câble simple (voir l'étape 4 de l'installation).
- Dégagez toute glace ou neige de la zone du plancher du garage où la porte se ferme.
- Révissez l'étape 1 de réglage.

Refaites le test d'inversion de sécurité après les ajustements.

Ma porte ne se ferme pas :

Le moniteur de tension de câble doit être installé et doit fonctionner correctement avant que l'ouvre-porte de garage fonctionne dans le sens de la descente.

- Vérifiez si le moniteur de tension de câble est installé correctement et fonctionne bien.
- Le capteur d'inversion de sécurité doit être connecté et aligné correctement avant que l'ouvre-porte de garage ne se déplace dans le sens de la descente.
 - Vérifiez que les capteurs d'inversion sont installés et alignés correctement et qu'ils ne sont pas obstrués.

L'ouvre-porte de garage semble forcer pour ouvrir la porte :

- La porte est peut-être déséquilibrée ou les ressorts sont peut-être cassés. Fermez la porte et utilisez la poignée de déclenchement d'urgence pour déconnecter la porte. Ouvrez et fermez la porte manuellement. Une porte adéquatement équilibrée restera à n'importe quel endroit du déplacement tout en étant entièrement supportée par ses ressorts. Si ce n'est pas le cas, déconnectez l'ouvre-porte de garage et appelez un technicien qualifié en systèmes de porte.

Le moteur de l'ouvre-porte de garage émet un bref bourdonnement, puis ne fonctionne pas :

- Les ressorts de la porte de garage sont peut-être cassés. Voir ci-dessus.
- Si le problème se produit lors du premier fonctionnement de l'ouvre-porte de garage, il se peut que la porte soit verrouillée. Désactivez le verrouillage électrique de la porte.

L'ouvre-porte de garage ne fonctionnera pas en raison d'un manque d'alimentation électrique :

Dépannage

Dépannage supplémentaire (suite)

- Désactivez manuellement le verrouillage électrique de la porte.
- Utilisez la poignée de déverrouillage d'urgence pour déconnecter la porte. La porte peut être ouverte et fermée manuellement. Lorsque l'alimentation en électricité est rétablie, tirez sur le déclenchement manuel une deuxième fois.
- En mode de secours par batterie, l'ouvre-porte devrait pouvoir fonctionner jusqu'à 20 fois.
- Désactivez tous les verrous de porte.
- Utilisez la poignée de déverrouillage d'urgence pour déconnecter la porte. La porte peut être ouverte et fermée manuellement. Lorsque l'alimentation en électricité est rétablie, tirez sur le déclenchement manuel une deuxième fois.
- En mode de secours sur batterie, la durée de vie de la batterie est de 30 heures ou jusqu'à 20 cycles sur une période de 24 heures.

La porte perd ses limites :

- Collier mal serré. Serrez le collier et reprogrammez les limites (voir l'étape de réglage 3).

L'ouvre-porte de garage se déplace lorsque la porte fonctionne :

- Un léger mouvement est normal pour ce produit. Si les mouvements sont excessifs, le collier peut être usé de façon prématurée.
- Vérifiez que la barre de torsion ne se déplace pas excessivement vers la gauche ou la droite.
- Vérifiez que la barre de torsion ne bouge pas visiblement de haut en bas lorsqu'elle tourne.
- Vérifiez que l'ouvre-porte est monté à angle droit par rapport à l'arbre du vérin. Sinon, déplacez le support de fixation.

Le connecteur de la serrure de porte automatique ne s'adapte pas à la fiche de l'ouvre-porte :

Les anciens modèles de verrou de porte 24 V sont incompatibles. Utilisez la serrure de porte automatique modèle 841LM, Accessoires

La serrure automatique de la porte du garage ne s'active pas lorsque la porte du garage s'ouvre ou se ferme :

En mode batterie de secours, la serrure automatique de porte de garage se déverrouille lorsque la porte de garage est ouverte et reste désactivée jusqu'à ce que le courant soit rétabli.

L'ouvre-porte fait des bips :

- Indique une fermeture non surveillée. L'ouvre-porte a été activé par l'application myQ ou le moniteur de garage et de portail.
- Une DEL orange fixe accompagnée d'un signal sonore, émise toutes les 2 secondes environ, indique que l'ouvre-porte fonctionne sur batterie.
- Un voyant orange clignotant accompagné d'un bip sonore toutes les 30 secondes indique que la batterie est faible.
- Une DEL rouge allumée en continu avec un bip sonore toutes les 30 secondes indique que la batterie 12 V ne tient plus la charge et doit être remplacée.

La porte du garage émet des bips et le voyant rouge clignote :

La charge de la batterie est faible ou la batterie est morte.

- Remplacez la batterie.

La commande par téléphone intelligent myQ, les dispositifs myQ sans fil et la minuterie de fermeture ne fonctionnent pas :

- En mode Batterie de secours, la commande par téléphone intelligent myQ, les appareils sans fil myQ et le minuteur de fermeture sont désactivés.
- Le voyant DEL de la télécommande myQ doit être installé pour permettre l'utilisation de la minuterie de fermeture ou de la commande par téléphone intelligent myQ de la porte. Branchez la lampe à DEL de la télécommande myQ et assurez-vous qu'elle est programmée pour l'ouvre-porte de garage. L'activation de la minuterie de fermeture et de la commande par téléphone intelligent myQ peut prendre jusqu'à 5 minutes.

La porte se déplace plus rapidement ou plus lentement que prévu :

- Vérifiez que le réglage des tambours est approprié en suivant les étapes indiquées à la page 19 du manuel.

Door speed varies over travel:

- Vérifiez que le réglage des tambours est approprié en suivant les étapes indiquées à la page 19 du manuel.

Déroulement du câble en cas d'obstruction près de la limite supérieure

- Si le câble se déroule, veuillez demander à un revendeur de portes professionnel d'effectuer la réparation.

AVIS : Cet appareil est conforme à la partie 15 du règlement de la FCC ainsi qu'avec le CNR exempt de licence d'Innovation, Science et Développement économique Canada. Son utilisation est sujette aux deux conditions suivantes : (1) cet appareil ne doit pas causer d'interférences nuisibles, et (2) cet appareil doit accepter toutes les interférences reçues, y compris les interférences qui peuvent causer le fonctionnement indésirable de l'appareil.

Les modifications ou les changements non expressément approuvés par la partie responsable de la conformité peuvent annuler l'autorité de l'utilisateur à utiliser l'équipement.

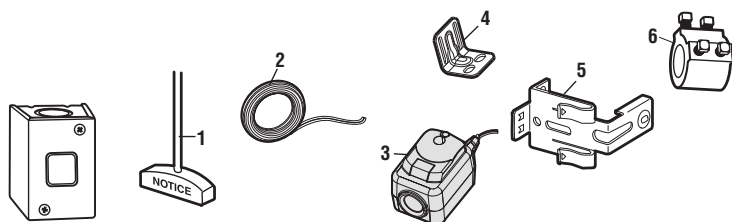
Cet appareil doit être installé pour qu'une distance minimum de 20 cm (8 po) soit maintenue entre les utilisateurs, les passants et l'appareil.

Cet appareil a été testé et s'est avéré conforme aux limites d'un appareil numérique de classe B selon la partie 15 des règlements de la FCC et des normes ICES d'Industrie Canada. Ces limites ont pour objet de fournir une protection raisonnable contre les interférences nuisibles dans une installation résidentielle. Cet équipement produit, utilise et peut rayonner de l'énergie radiofréquence et, s'il n'est pas installé et utilisé conformément aux instructions, il risque de causer des interférences nuisibles aux communications radio. Toutefois, il n'est pas possible de garantir l'absence d'interférences dans une installation particulière. Si cet équipement cause des interférences nuisibles à la réception radio ou TV, ce qui peut être déterminé en éteignant puis en le rallumant, l'utilisateur est invité à essayer de corriger l'interférence en prenant au moins l'une des mesures suivantes :

- Réorientez ou déplacez l'antenne de réception.
- Augmentez la distance entre l'équipement et le récepteur.
- Connectez l'équipement à une prise située sur un circuit différent de celui auquel le récepteur est connecté.
- Consultez le revendeur ou un technicien radio/TV expérimenté pour obtenir de l'aide.

Pièces détachées

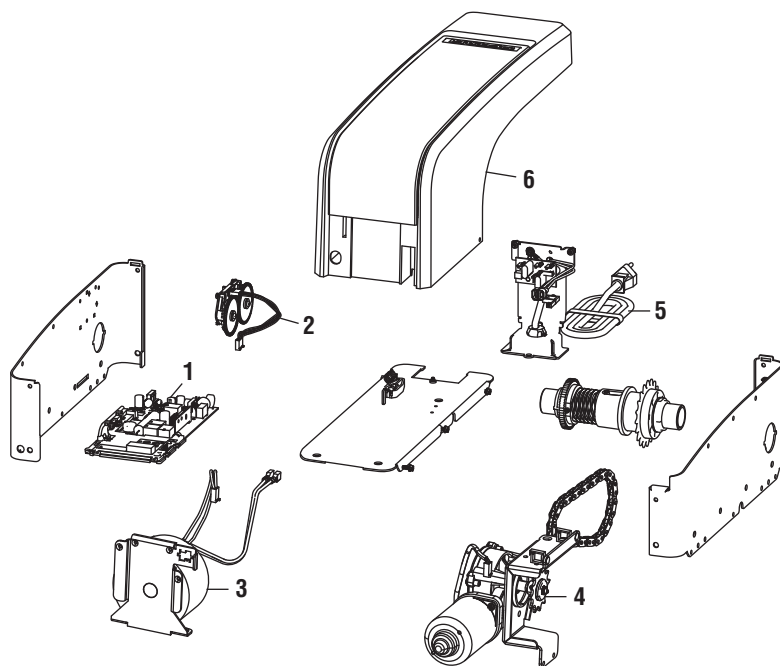
Pièces d'installation



N° CLÉ	N° PIÈCE	DESCRIPTION	N° CLÉ	N° PIÈCE	DESCRIPTION
1	041A4582	Ensemble corde et poignée de déclenchement d'urgence	4	041C0902	Support de montage
2	041B4494-1	Fil de sonnette à 2 conducteurs - blanc et blanc/rouge	5	041-0155-000	Supports du capteur d'inversion de sécurité (2)
3	041-0136	Kit de capteurs d'inversion de sécurité (capteurs de réception et d'émission) avec fil de sonnerie à 2 conducteurs attaché	6	041D8615	Collier avec vis de fixation
					NON ILLUSTRÉ
				114-5857-000	Guide de l'utilisateur
				114-5858-000	Guide de démarrage rapide

Pièces détachées

Pièces d'assemblage de l'ouvre-porte de garage



N° CLÉ	N° PIÈCE	DESCRIPTION	N° CLÉ	N° PIÈCE	DESCRIPTION
1	50DCRJWF	Carte logique	5	041D0190	Cordon d'alimentation
2	041B8861	Module de déplacement avec faisceau de câbles	6	041D9042	Couvercle
3	041C0296	Transformateur			NON ILLUSTRÉ
4	041D1624-2	Moteur		041D9044	Batterie et carte mère de la porte

Coordonnées de contact

ARRÊTEZ!

L'ouvre-porte de garage NE FONCTIONNERA PAS tant que les capteurs d'inversion de sécurité ne sont pas installés et alignés correctement.

Adressez votre commande de pièces de rechange à :

LiftMaster
6020 S. Country Club Rd.
Tucson, AZ 85706

Pour toute information sur l'installation et le service, visitez notre site en ligne :

LiftMaster.com

Avant d'appeler, veuillez avoir en main de numéro de modèle de l'ouvre-porte de garage. Si vous nous appelez concernant un dépannage, il est recommandé que vous ayez accès à votre ouvre-porte de garage pendant que vous appelez. Si vous commandez une pièce de remplacement, veuillez avoir en main les informations suivantes : numéro de la pièce, le nom de la pièce et le numéro de modèle.

Accessoires

ACCESSOIRES MAX

Compatible avec les ouvre-portes de garage LiftMaster fabriqués depuis 1993.

878MAX

Entrée sans clé sans fil :

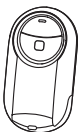
Pour utilisation à l'extérieur de la maison pour permettre l'accès au garage en utilisant un code à 4 chiffres.



374UT

Télécommande universelle mini :

La mini télécommande universelle peut être programmée pour activer jusqu'à deux produits, tels qu'un ouvre-porte de garage, des commandes d'éclairage myQ, un opérateur de portail ou un opérateur de porte commerciale.



893MAX

3-Bouton Max de la télécommande à distance :

Comprend une pince pour le pare-soleil.



ACCESSOIRES myQ

827LM

Lumière à distance DEL myQ :

Lampe sans fil qui peut être programmée à l'opérateur de porte ou à une télécommande.



ACCESSOIRES STANDARD

885LM

Commande sans fil de la porte Security+ 2.0 :

Barre de poussée, options de lumière et bouton auxiliaire. Comprend la batterie.



891LM

Télécommande Security+ 2.0 à un seul bouton :

Comprend une pince pour le pare-soleil.



893LM

Télécommande Security+ 2.0 à un 3 boutons :

Comprend une pince pour le pare-soleil.



877LM

Entrée sans clé sans fil :

Pour utilisation à l'extérieur de la maison pour permettre l'accès au garage en utilisant un code à 4 chiffres.



485LM

Batterie de secours :

Fournit l'alimentation de secours à l'ouvre-porte. La batterie a une puissance suffisante pour 30 heures de veille ou jusqu'à 20 cycles sur une période de 24 heures.



041A5281-1

Supports d'extension :

(Optionnels) Pour l'installation du capteur d'inversion de sécurité sur un mur ou le plancher.



480LM

Kit de montage alternatif :

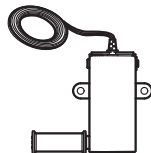
Ce kit permet de monter le modèle 8500WMC sous la barre de torsion dans le cas où la barre de torsion n'est pas ronde ou que la zone de montage normale est obstruée.



041A6104

Moniteur de tension de câble :

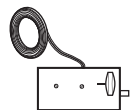
Moniteur de tension de câble ayant 33 pi (10 m) de corde.



841LM

Verrou automatique de porte :

Le verrou automatique de la porte est utilisé pour empêcher l'ouverture manuelle de la porte une fois que celle-ci est complètement fermée.



GARANTIE LIMITÉE LIFTMASTER

LiftMaster (le « Vendeur ») garantit au premier acheteur au détail de ce produit, pour la résidence dans laquelle ce produit est installé à l'origine, qu'il est exempt de défauts de matériaux et/ou de fabrication pendant une période spécifique définie ci-dessous (la « Période de garantie »). La période de garantie commence à partir de la date de l'achat.

PÉRIODE DE GARANTIE			
Pièces	Moteur	Accessoires	Batterie de secours
5 ans	À vie	1 an	1 an

Le bon fonctionnement de ce produit dépend de votre respect des instructions concernant l'installation, le fonctionnement, l'entretien et les tests. Le fait de ne pas se conformer strictement à ces instructions annulera la présente garantie limitée dans son intégralité.

Si, pendant la Période de garantie limitée, ce produit semble présenter un défaut couvert par cette garantie limitée, appelez le 1-800-528-9131, sans frais, avant de démonter ce produit. Lorsque vous appelez, vous serez avisé des instructions de désassemblage et d'expédition. Vous pourrez ensuite envoyer le produit ou ses pièces en port payé et assuré selon les instructions de notre centre de services pour la réparation sous garantie. Veuillez inclure une brève description du problème et la preuve d'achat comportant une date avec tout produit retourné pour réparation sous garantie. Les produits retournés au Vendeur pour réparation en vertu de la garantie et dont la défektivité et la couverture de la garantie sont confirmés dès la réception par le Vendeur seront réparés ou remplacés (à l'entière discrétion du Vendeur) sans frais pour vous et retournés en envoi prépayé. Les pièces défectueuses seront réparées ou remplacées avec des pièces neuves ou remises à neuf à la seule discrétion du vendeur. [Vous êtes responsable de tous les frais encourus pour retirer et/ou réinstaller le produit ou tout composant].

TOUTE GARANTIE TACITE POUR CE PRODUIT, Y COMPRIS SANS S'Y LIMITER, TOUTE GARANTIE TACITE DE QUALITÉ COMMERCIALE ET D'ADAPTATION À UNE QUELCONQUE UTILISATION, EST LIMITÉE À LA DURÉE DE LA GARANTIE LIMITÉE CI-DESSUS POUR LES PIÈCES CONNEXES ET LES GARANTIES NON TACITES EXISTERONT OU SERONT APPLIQUÉES APRÈS CETTE PÉRIODE. Certains États et Provinces ne permettent pas de limiter la durée d'une garantie implicite, de sorte que la limitation ci-dessus peut ne pas s'appliquer à vous. LA PRÉSENTE GARANTIE LIMITÉE NE COUVRE PAS LES DOMMAGES NON-DÉFECTUEUX, LES DOMMAGES CAUSÉS PAR UNE INSTALLATION, UNE UTILISATION OU UN ENTRETIEN INAPPROPRIÉS (DONT, SANS TOUÉFOIS S'Y LIMITER, UN ABUS, UNE UTILISATION INCORRECTE, UN MANQUE D'ENTRETIEN RAISONNABLE ET NÉCESSAIRE, DES RÉPARATIONS NON AUTORISÉES OU TOUTE MODIFICATION DE CE PRODUIT), LES FRAIS DE MAIN-D'ŒUVRE POUR LA RÉINSTALLATION D'UNE UNITÉ RÉPARÉE OU REMPLACÉE, LE REMPLACEMENT D'ARTICLES CONSOMMABLES (PAR EXEMPLE, LES PILES DES TÉLÉCOMMANDES ET LES AMPOULES), OU LES UNITÉS INSTALLÉES POUR UN USAGE NON RÉSIDENTIEL. LA PRÉSENTE GARANTIE LIMITÉE NE COUVRE PAS LES PROBLÈMES LIÉS À LA PORTE DE GARAGE OU À LA QUINCAILLERIE DE LA PORTE DE GARAGE, Y COMPRIS, MAIS SANS S'Y LIMITER, LES RESSORTS DE LA PORTE, LES ROULEAUX DE LA PORTE, L'ALIGNEMENT DE LA PORTE OU LES CHARNIÈRES. LA PRÉSENTE GARANTIE LIMITÉE NE COUVRE PAS NON PLUS LES PROBLÈMES CAUSÉS PAR DES INTERFÉRENCES. EN AUCUN CAS, LE VENDEUR NE POURRA ÊTRE TENU RESPONSABLE DES DOMMAGES CONSÉCUTIFS, ACCIDENTELS OU SPÉCIAUX LIÉS À L'UTILISATION OU À L'IMPOSSIBILITÉ D'UTILISER CE PRODUIT. EN AUCUN CAS, LA RESPONSABILITÉ DU VENDEUR EN CAS DE RUPTURE DE GARANTIE, DE RUPTURE DE CONTRAT, DE NÉGLIGENCE OU DE RESPONSABILITÉ STRICTE NE POURRA DÉPASSER LE COÛT DU PRODUIT COUVERT PAR LES PRÉSENTES. PERSONNE N'EST AUTORISÉ À ASSUMER POUR NOUS TOUTE AUTRE RESPONSABILITÉ AYANT TRAIT À LA VENTE DE CE PRODUIT.

Certains États et Provinces n'autorisant pas l'exclusion ou la limitation des dommages consécutifs, accessoires ou spéciaux, il est possible que la limitation ou l'exclusion susmentionnée ne s'applique pas à vous. La présente garantie limitée vous donne des droits légaux spécifiques, et vous pouvez également avoir d'autres droits, qui varient d'un État à l'autre et d'une Province à l'autre.

Guide de sécurité et d'entretien de l'ouvre-porte de garage automatique

Sécurité de l'ouvre-porte de garage – Une décision automatique

La porte de garage est le plus grand objet mobile d'une maison. Le réglage inapproprié de la porte de garage et de l'ouvre-porte peut entraîner une force mortelle lorsque la porte ferme, ce qui pourrait faire en sorte qu'un enfant ou un adulte soit coincé et se solder par des blessures ou la mort.

L'installation, l'utilisation, l'entretien et les tests appropriés de la porte de garage et de l'ouvre-porte appropriés sont nécessaires pour avoir un système sécuritaire et sans problème.

Une utilisation imprudente ou permettre à des enfants de jouer avec les commandes de l'ouvre-porte ou de l'utiliser sont également des situations dangereuses qui peuvent mener à des conséquences tragiques. Quelques précautions simples peuvent protéger votre famille et vos amis de blessures possibles.

Veuillez examiner les conseils de sécurité et d'entretien qui se trouvent dans la présente brochure et le garder pour consultation future. Vérifiez le fonctionnement de votre porte de garage et de votre ouvre-porte pour vous assurer qu'ils fonctionnent de façon sécuritaire et sans problème.

Assurez-vous de lire toutes les données importantes sur la sécurité qui se trouvent dans votre manuel d'ouvre-porte, car elles contiennent davantage de détails et d'éléments à prendre en considération que ce qui peut être fournis dans la présente brochure.

L'ouvre-porte de garage n'est pas un jouet.

Parlez avec vos enfants de la sécurité relative à la porte de garage et à l'ouvre-porte. Expliquez les dangers de se retrouver coincé sous la porte.



Tenez-vous loin d'une porte en mouvement.



Gardez **TOUJOURS** les émetteurs et les télécommandes hors de la portée des enfants. Ne pas laisser les enfants jouer avec les émetteurs ou d'autres télécommandes ou les utiliser.



Le bouton-poussoir installé sur le mur devrait être hors de la portée des enfants, à une distance d'au moins 1,5 mètre de la surface la plus proche sur laquelle on peut se tenir debout et loin de toutes les parties qui peuvent être en mouvement. Installez et utilisez le bouton à un endroit où vous pouvez clairement voir la porte de garage se fermer.



Gardez la porte en vue jusqu'à ce qu'elle se ferme complètement lorsque vous utilisez le bouton-poussoir ou l'émetteur mural.

L'entretien de routine peut éviter des tragédies

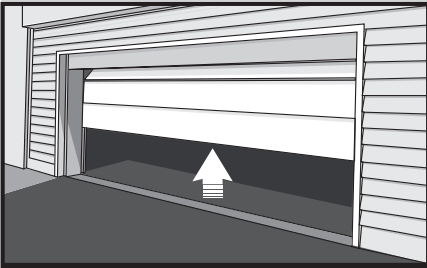
Faites des inspections et des tests de votre porte de garage et votre système d'ouvre-porte tous les mois en tant que partie de votre routine. Relisez le guide de l'utilisateur de la porte ainsi que de l'ouvre-porte. Si vous n'avez pas de guide de l'utilisateur, communiquez avec le fabricant et demandez l'exemplaire pour votre modèle précis. Recherchez le numéro de modèle de votre ouvre-porte au dos du bloc d'alimentation.

**⚠ AVERTISSEMENT - Les ressorts sont sous tension élevée.
Seules les personnes qualifiées devraient en faire le réglage.**

Vérifiez visuellement la porte et l'installation:



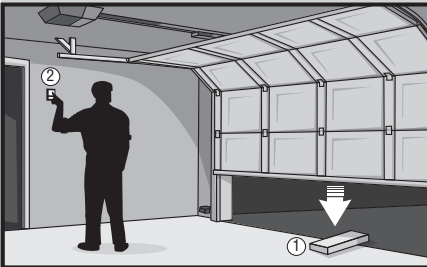
- En commençant avec la porte en position fermée, utilisez la déconnexion manuelle sur l'ouvre-porte pour déconnecter la porte.
- Vérifiez s'il y a des signes d'usure ou de dommage sur les charnières, les rouleaux, les ressorts et les panneaux de la porte.
- Ces pièces peuvent nécessiter une lubrification périodique. Consultez le guide du propriétaire pour connaître l'entretien suggéré.
- S'il y a des signes de dommages évidents, communiquez avec un technicien qualifié en systèmes de portes pour obtenir de l'aide.
- Vérifiez la hauteur du capteur photoélectrique pour qu'il ne se trouve pas à une hauteur de plus de 2 m du sol du garage.



Effectuez un test de la porte pour vérifier qu'elle fonctionne correctement :

- Ouvrez et fermez manuellement la porte à l'aide des poignées ou de points de prise appropriés.
- La porte devrait bouger librement sans difficulté.
- **La porte doit s'équilibrer et rester partiellement ouverte à 3-4 pieds au-dessus du sol.**
- Si vous détectez des signes de fonctionnement inadéquats, communiquez avec un technicien qualifié en systèmes de porte pour obtenir de l'aide.

Effectuez un test des fonctions de sécurité de l'ouvre-porte :



- Reconnectez l'ouvre-porte à la porte en déconnectant manuellement la porte et ouvrez la porte.
- Placez une planche de 2x4 à plat dans le passage de la porte (1) et essayez de la fermer (2). La porte devrait s'arrêter lorsqu'elle entre en contact avec le bloc de 2x4 et remonter.
- Obstruez le capteur photoélectrique en agitant un objet devant le capteur essayez de fermer la porte. La porte ne doit pas se fermer si le bouton-poussoir mural n'est pas maintenu manuellement pendant le fonctionnement.
- Si l'ouvre-porte ne fonctionne pas tel que décrit, communiquez avec un technicien qualifié en systèmes de portes pour obtenir de l'aide.



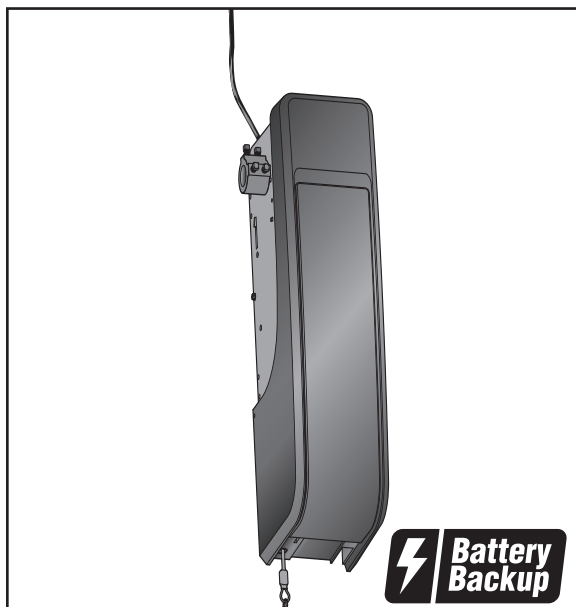
Wi-Fi® est une marque déposée de Wi-Fi Alliance.
© 2023 LiftMaster LLC
Tous droits réservés

Abrepuertas de garaje montado en la pared con Wi-Fi®

Modelos 98022

Para uso residencial

Se instala solo en puertas seccionales con conjuntos de torsión



La instalación de este producto está destinada únicamente a técnicos capacitados en puertas de garaje. Este producto puede requerir ajustes en los resortes de la puerta o las configuraciones de las guías. Este producto no se diseñó para su uso en guías de poca altura con tambores de recogida exteriores ni en puertas de garaje que utilicen resortes de extensión.

- ¡Lea con atención este manual y el material de seguridad adjunto!
- La puerta **NO SE CERRARÁ** a menos que el Protector System® esté conectado y bien alineado.
- Se requieren verificaciones periódicas del abrepuertas de garaje para garantizar el funcionamiento seguro.
- El número de modelo se encuentra en la cubierta frontal del abrepuertas.
- Este abrepuertas de garaje **SOLO** es compatible con accesorios myQ® y Security+ 2.0®.
- Pegue las etiquetas de advertencia en la ubicación indicada en la etiqueta.

Registre su abrepuertas de garaje para recibir actualizaciones y ofertas de LiftMaster

Descargue la aplicación gratuita myQ®



1 Tome una foto del icono de cámara que incluya los puntos (Ⓞ).

2 Envíela mediante un mensaje de texto con la foto al 71403 (EE. UU.) o visite www.Liftmaster.photo (Global)



Supervise y controle su garaje desde cualquier lugar y reciba alertas en tiempo real con toda tranquilidad.

LiftMaster
300 Windsor Drive
Oak Brook, IL 60523



LiftMaster®

Índice

PREPARACIÓN	2	Instalación del control de la puerta (Smart Control Panel®).....	11	PROGRAMACIÓN	29
Número de serie del myQ.....	2	Instalación de la luz LED remota myQ.....	12	Control remoto 893MAX.....	29
Análisis de símbolos de seguridad y palabras de señalización.....	2	Instalación del Protector System.....	13	Programar la luz LED remota myQ.....	30
Funcionamiento sin supervisión.....	2	Conexión de la alimentación.....	16	Cómo borrar la memoria.....	30
Planificación.....	3	Alineamiento de los sensores de inversión de seguridad.....	17	HomeLink®.....	31
Antes de conectarlo con su smartphone.....	4	Instalación de la batería de respaldo.....	18	MANTENIMIENTO	32
Preparar la puerta del garaje.....	5	AJUSTE	19	Cuidado de su abrepuertas de garaje.....	32
Herramientas necesarias.....	5	Identificación del perfil de la puerta.....	19	RESOLUCIÓN DE PROBLEMAS	33
Inventario en caja.....	6	Establecimiento del perfil de la puerta.....	20	Tabla de diagnóstico.....	33
Artículos adicionales que puede necesitar.....	6	Programación del recorrido.....	21	Resolución de problemas adicional.....	34
ENSAMBLAJE	7	Configuración de la fuerza automática.....	21	PIEZAS DE REPUESTO	36
Fijar el collarín al abrepuertas de garaje.....	7	Prueba del sistema de inversión de seguridad.....	22	Piezas de instalación.....	36
Fijar el soporte de montaje al abrepuertas de garaje.....	8	Prueba del Protector System.....	22	Piezas de ensamblaje del abrepuertas de garaje.....	37
INSTALACIÓN	8	Prueba del monitor de tensión del cable.....	22	INFORMACIÓN DE CONTACTO	37
Posicionar y montar el abrepuertas de garaje.....	9	Prueba de la traba eléctrica de la puerta.....	23	ACCESORIOS	38
Fijar la soga y manija de liberación de emergencia.....	10	Prueba de la liberación de emergencia.....	23	GARANTÍA	39
Instalar la traba automática de la puerta.....	10	FUNCIONAMIENTO	24	Guía de seguridad y mantenimiento del abrepuertas de garaje automático.....	40
		Uso del abrepuertas de garaje.....	25		
		Conectar al smartphone.....	26		
		Uso del control de la puerta.....	27		

Preparación

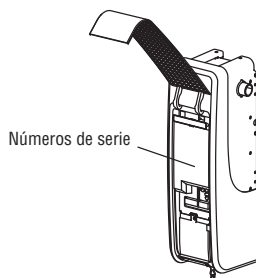
Número de serie de myQ

Escriba la información siguiente para referencia futura:

Número de serie de myQ:

Número de serie del producto:

Fecha de compra:

 / /


Análisis de símbolos de seguridad y palabras de señalización

Este abrepuertas de garaje se ha diseñado y probado para ofrecer un servicio seguro siempre que se instale, opere, mantenga y pruebe en estricto cumplimiento de las instrucciones y advertencias de este manual.

Cuando vea estos símbolos de seguridad y palabras de señalización en las páginas siguientes, le alertarán de la posibilidad de **lesiones graves o la muerte** si no cumple con las advertencias que los acompañan. El peligro puede provenir de algo mecánico o de una descarga eléctrica. Lea las advertencias detenidamente.

Cuando vea esta palabra de señalización en las páginas siguientes, lo alertará de la posibilidad de que se produzcan daños en la puerta de garaje o en el abrepuertas de garaje si no cumple con las advertencias que la acompañan. Lea dichas advertencias con atención.



ADVERTENCIA: Con este producto, puede exponerse a sustancias químicas, incluido el plomo, que el Estado de California reconoce como causantes de cáncer o anomalías congénitas u otros daños reproductivos. Para obtener más información, visite www.P65Warnings.ca.gov.

ADVERTENCIA

Mecánica

ADVERTENCIA

Eléctrica

PRECAUCIÓN

Funcionamiento sin supervisión

La función Temporizador de cierre (TTC), la aplicación myQ de control por smartphone y el monitor de puerta de garaje y compuerta myQ son ejemplos de cierres sin supervisión y SOLO deben utilizarse con puertas seccionales. Cualquier dispositivo o función que permita que la puerta se cierre sin estar en la línea de visión de la puerta se considera un cierre sin supervisión. La función Temporizador de cierre (TTC), la aplicación myQ de control por smartphone y cualquier otro dispositivo myQ SOLO deben usarse con puertas seccionales.

Se debe instalar la luz LED remota myQ para habilitar el uso del Temporizador de cierre o el control por smartphone myQ de la puerta.

Preparación

Planificación

Examine el área para ver si se aplica alguna de las condiciones siguientes a su instalación. En función de sus necesidades, podrían requerirse materiales adicionales.

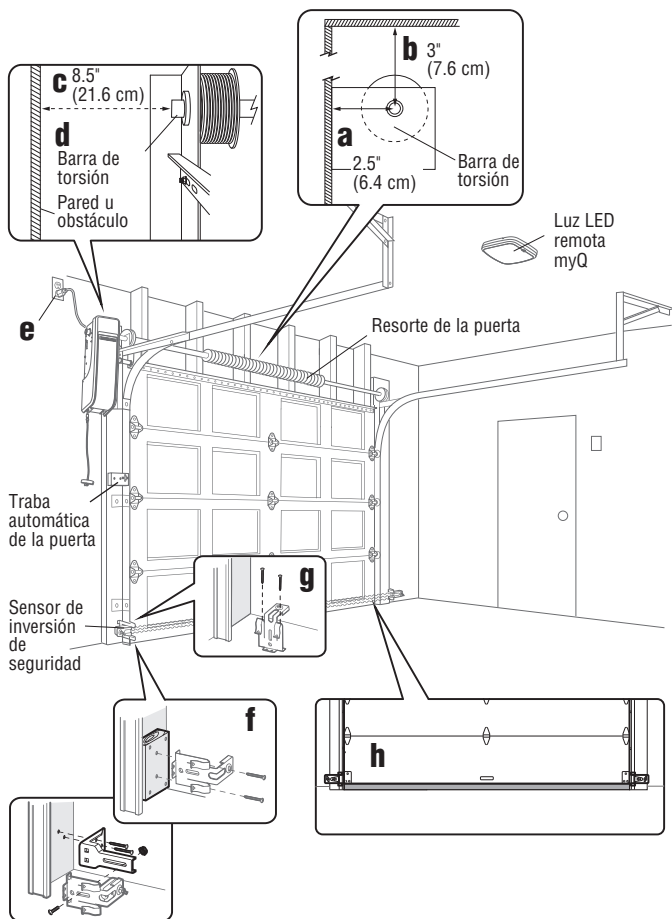
EL ABREPUERTAS ES COMPATIBLE CON:

- Puertas que usan una barra de torsión y resortes. La barra de torsión debe tener 1" (2.5 cm) de diámetro. NO es compatible con tambores de bobinado inverso.
- Puertas seccionales de elevación estándar que utilizan tambores de 4-6" (10-15 cm) de diámetro..
- Tambores rectos de 4-6" (10-15 cm).
- Tambores de 3 a 3.9 pulgadas (de 7.6 cm a 9.9 cm) en puertas de hasta 430 lb (195.4 Kg).
- Puertas seccionales de elevación en alto (hasta 54" [137.2 cm] de alto) y de elevación estándar de hasta 14 pies (4.3 m) de alto.
- Puertas seccionales de gran elevación que utilizan tambores cónicos de 8" (20 cm) de diámetro.
- Puertas seccionales de elevación vertical que utilizan tambores cónicos de 8" (20 cm) de diámetro.
- Puertas de hasta 18 pies (5.5 m) de ancho.

Revise o inspeccione el área de instalación propuesta. El abrepuertas se puede instalar del lado izquierdo o derecho de la puerta. Seleccione el lado que cumpla los requisitos indicados a continuación.

- Debe tener un mínimo de 2.5" (6.4 cm) entre la pared y el centro de la barra de torsión.
- Debe tener un mínimo de 3" (7.6 cm) entre el techo y el centro de la barra de torsión.
- Debe tener un mínimo de 8.5" (21.6 cm) entre la pared lateral (u obstrucción) y el extremo de la barra de torsión.
- La barra de torsión se debe extender al menos 1.5" (3.81 cm) por sobre el cojinete. Esto puede variar en función de los requisitos de su instalación.
- Se requiere un tomacorriente eléctrico a menos de 6 pies (1.83 m) del área de instalación. Si no hay un tomacorriente, póngase en contacto con un electricista calificado.
- Dependiendo de la construcción del edificio, tal vez sean necesarios soportes de extensión o bloques de madera para instalar sensores de inversión de seguridad y el monitor de tensión del cable.
- El montaje alternativo en el piso de los sensores de inversión de seguridad requerirá herrajes (no suministrados).
- Verifique el sello en la parte inferior de la puerta. Cualquier vacío entre el piso y la parte inferior de la puerta no debe exceder 1/4 de pulgada (6 mm). De lo contrario, el sistema de inversión de seguridad podría no funcionar correctamente.

NOTA: Inspeccione la barra de torsión mientras la puerta se sube y se baja. Es importante que no haya un movimiento observable hacia arriba o hacia abajo ni hacia la izquierda o hacia la derecha. Si no se corrige el movimiento, la vida útil del abrepuertas de garaje se verá ampliamente reducida.



Preparación

Antes de conectarlo con su smartphone

Supervise y controle su puerta de garaje desde cualquier lugar mediante la aplicación myQ.

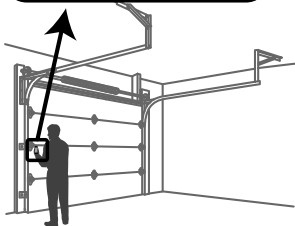
ANTES DE EMPEZAR:

Necesitará:

- Wi-Fi habilitado en un smartphone, una tableta o una computadora portátil
- Conexión a Internet de banda ancha
- Señal Wi-Fi en el garaje (**se requiere 2.4 GHz, 802.11b/g/n**)
- Contraseña para su internet doméstica (la cuenta principal del enrutador, no la red de invitados)

PRUEBE LA INTENSIDAD DE LA SEÑAL DE WI-FI

Asegúrese de que su dispositivo móvil esté conectado a su red Wi-Fi. Sostenga el dispositivo móvil en el lugar donde se instalará el abrepuertas de garaje y compruebe la intensidad de la señal Wi-Fi.



Compruebe la intensidad de la señal. Si observa lo siguiente:



La señal Wi-Fi es potente.
El abrepuertas de garaje se conectará a su red Wi-Fi.



La señal Wi-Fi es débil.
El abrepuertas de garaje podría conectarse a su red Wi-Fi. De lo contrario, intente una de las opciones siguientes para mejorar la señal Wi-Fi:



No hay señal de Wi-Fi.
El abrepuertas de garaje no se conectará a su red Wi-Fi. Intente una de las opciones siguientes para mejorar la señal Wi-Fi:

- Acerque el enrutador al abrepuertas de garaje para minimizar las interferencias de las paredes y otros objetos.
- Compre un extensor de alcance del Wi-Fi.

Para ver las especificaciones del enrutador compatible y la ayuda, visite www.LiftMaster.com/Customer-Support. Consulte la página 26 para conectar el abrepuertas de garaje a un dispositivo móvil.

Preparación

Prepare la puerta de su garaje

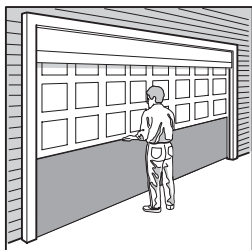
ANTES DE EMPEZAR:

- Desactive las trabas.
- Quite las sogas conectadas a la puerta de garaje.

Complete la prueba siguiente para asegurarse de que la puerta de garaje esté balanceada y no se adhiera o trabaje:

1. Levante la puerta hasta la mitad. Suéltela. Si está balanceada, debe quedarse en su lugar, sostenida por completo por los resortes.
2. Levante y baje la puerta para verificar si se adhiere o trava.
3. Una puerta correctamente balanceada NO debería abrirse ni caer rápidamente.

Si la puerta se atora, adhiere o no está balanceada, llame a un técnico capacitado en sistemas de puerta.



Puerta seccional

! ADVERTENCIA

Para evitar posibles LESIONES GRAVES o la MUERTE:

- Llame SIEMPRE a un técnico capacitado en sistemas de puerta si la puerta de garaje se atora, adhiere o no está balanceada. Una puerta de garaje no balanceada podría NO invertirse cuando se necesita.
- NUNCA intente aflojar, mover o ajustar la puerta de garaje, resortes de puerta, cables, poleas, soportes o su herraje; TODOS están bajo tensión EXTREMA.
- Deshabilite TODAS las trabas y quite TODAS las sogas conectadas a la puerta de garaje ANTES de instalar el abrepuertas de garaje para evitar enredos.
- Este sistema de apertura está equipado con una función de funcionamiento sin supervisión. La puerta podría moverse de forma inesperada. NADIE DEBE CRUZAR EL CAMINO DE LA PUERTA MÓVIL.

! PRECAUCIÓN

Para evitar daños en la puerta de garaje y el abrepuertas:

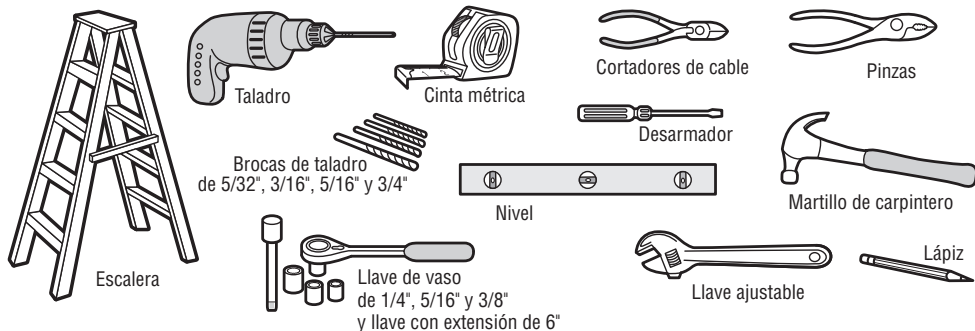
- Deshabilite SIEMPRE los bloqueos ANTES de instalar y operar el abrepuertas.
- SOLO use el abrepuertas de garaje a 120 V, 60 Hz para evitar averías y daños.

ESPECIFICACIONES

Voltios	120 Vac - 60 Hz ÚNICAMENTE
Corriente	1.5 A
Corriente de luz LED (con alimentación independiente)	0.2 A

Herramientas necesarias

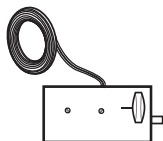
Durante el montaje, la instalación y el ajuste del abrepuertas de garaje, las instrucciones requerirán herramientas de mano como se indica a continuación.



Preparación

Inventario en la caja

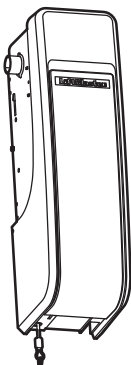
Si falta algo, verifique cuidadosamente el material de embalaje.



Traba para puerta de garaje automática modelo 841LM con cable de timbre blanco y blanco/negro de 2 conductores con conector
NOTA: Las trabas para puertas de 24 V de modelos anteriores son incompatibles



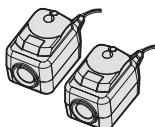
Soporte de montaje



Abrepuertas de garaje



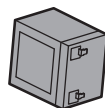
Cable de timbre de 2 conductores blanco y blanco/rojo



El sistema Protector System (2) Sensores de inversión de seguridad (1 sensor emisor y 1 sensor receptor) con cable de timbre de 2 conductores blanco y blanco/negro conectado



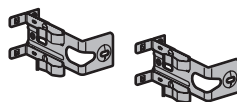
Collarín con tornillos de fijación



Batería modelo 485LM



Etiquetas de seguridad y documentación



Soporte del sensor de inversión de seguridad (2)

ACCESORIOS INCLUIDOS



Smart Control Panel®
Modelo 880LMW



Control remoto prémium de 3 botones modelo 893MAX (1)



Presilla del visor del control remoto



Luz LED remota myQ Modelo 827LM (luz para abrepuertas de garaje) con bolsa de herrajes

HERRAJES

Tornillo #10-32 (2)
Tornillo 14-10x2" (2)
Mango
Soga
Tornillo 1/4"-20x1/2" (2)

Tornillo 6ABx1-1/4" (2)
Anclaje para yeso (2)
Tornillo 6-32x1" (2)
Perno redondo, 1/4"-20x1/2" (2)
Tuerca de mariposa de 1/4"-20 (2)

HERRAJE DE LUZ REMOTA:

Luz LED remota myQ Modelo 827LM
Anclaje para paneles de yeso (atornillado) (2)
Tornillo #6x1" (2)

Artículos adicionales que puede necesitar:

Soportes de extensión (Modelo 041A5281-1) o bloques de madera:

Dependiendo de la construcción del garaje, tal vez sean necesarios soportes de extensión o bloques de madera para instalar el sensor de inversión de seguridad.

Herrajes de fijación: El montaje alternativo en el piso del sensor de inversión de seguridad requerirá herrajes no suministrados.

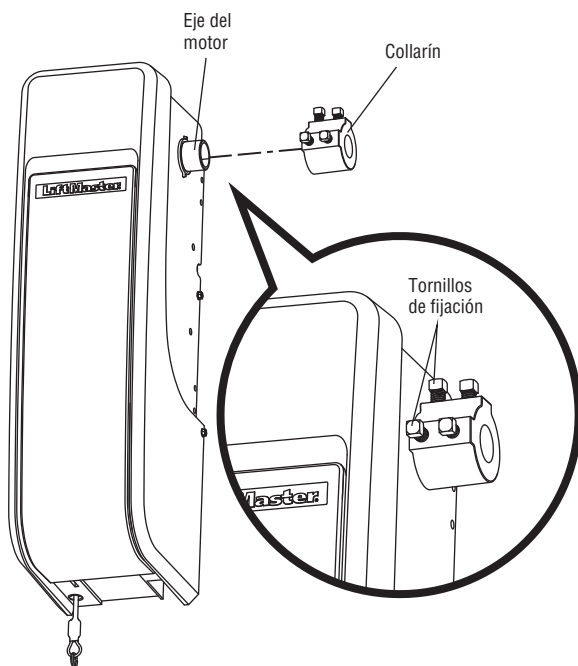
Conector de 90° para conducto de cable o adaptador de cable flexible: Requerido para cableado permanente.

1 Fijar el collarín al abrepuertas de garaje

Para evitar dificultades a la hora de la instalación, no ponga el abrepuertas de garaje en funcionamiento hasta que no se le indique hacerlo.

El abrepuertas de garaje se puede instalar a ambos lados de la puerta (consulte la sección Planificación en la página 3). Las ilustraciones corresponden a la instalación del lado izquierdo.

1. Afloje los tornillos de fijación.
2. Fije el collarín al eje del motor del abrepuertas de garaje. El lado del collarín con el agujero más grande debe colocarse en el eje del motor. Asegúrese de que el collarín esté asentado hasta el final en el eje del motor hasta que se alcance el tope.
3. Coloque el collarín de manera que los tornillos estén orientados hacia fuera y sean accesibles cuando se fijen a la barra de torsión.
4. Apriete firmemente los 2 tornillos de cabeza cuadrada más cercanos al eje del motor al girar los tornillos 1/4 - 1/2 vuelta después de hacer contacto con el eje del motor.



⚠ ADVERTENCIA

Para evitar posibles LESIONES GRAVES o la MUERTE, el collarín DEBE estar bien apretado. La puerta podría NO invertirse correctamente o podría escapar de los límites por deslizamiento del collarín.

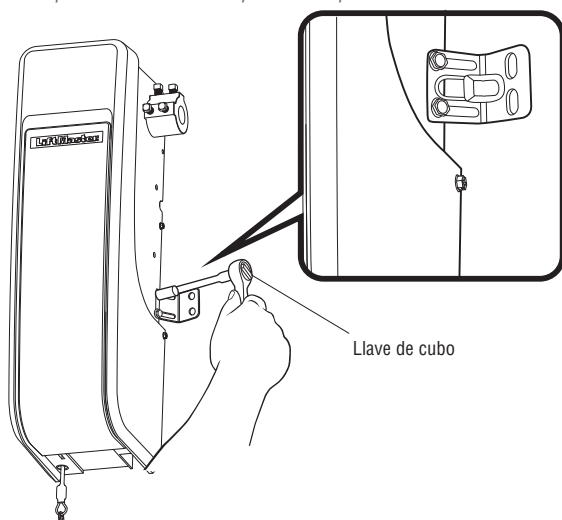
Ensamblaje

2 Fijar el soporte de montaje al abrepuertas de garaje

1. Fije de manera floja el lado ranurado del soporte al mismo lado del abrepuertas de garaje que el collarín, usando los tornillos suministrados.

NOTA: No apriete los tornillos hasta que se le indique.

Tornillo
#10-32 (2)



Llave de cubo

Instalación

INSTRUCCIONES IMPORTANTES DE INSTALACIÓN

⚠️ ⚡ ADVERTENCIA

Para reducir el riesgo de LESIÓN GRAVE o MUERTE:

1. Lea y siga todas las advertencias e instrucciones.
2. Instale el abrepuertas de garaje SOLO sobre una puerta bien balanceada y lubricada. Una puerta mal balanceada podría NO invertirse cuando sea necesario y causar LESIONES GRAVES o la MUERTE.
3. Un técnico capacitado en sistemas de puerta DEBE realizar TODAS las reparaciones a cables, conjuntos de resortes y otros herrajes ANTES de instalar el abrepuertas de garaje.
4. Deshabilite TODAS las trabas y quite TODAS las sogas conectadas a la puerta ANTES de instalar el abrepuertas de garaje para evitar enredos.
5. Cuando sea posible, instale el abrepuertas a 7 pies (2.13 m) o más por encima del piso.
6. Monte la liberación de emergencia al alcance, pero al menos a 6 pies (1.83 m) por encima del suelo y evitando el contacto con vehículos para evitar la liberación accidental.
7. NUNCA conecte el abrepuertas de garaje a la fuente de alimentación hasta que se le instruya hacerlo.
8. NUNCA use relojes, anillos o prendas sueltas cuando instale o dé servicio al abrepuertas. Podrían quedar enganchados en la puerta del garaje o en los mecanismos del abrepuertas.
9. Instale el control de la puerta de garaje montado en la pared:
 - a la vista de la puerta del garaje;
 - fuera del alcance de niños pequeños a una altura mínima de 5 pies (1.53 m) sobre pisos, descansos, escalones u otras superficies adyacentes de tránsito;
 - lejos de TODAS las piezas móviles de la puerta.
10. Instale la marca de liberación de emergencia. Fije la marca en o junto a la liberación de emergencia. Instale el cartel de advertencia de atrapamiento junto al control de la puerta en un lugar destacado.
11. Coloque la liberación de emergencia/etiqueta de prueba de inversión de seguridad a simple vista en el interior de la puerta de garaje.
12. Al completar la instalación, pruebe el sistema de inversión de seguridad. La puerta DEBE invertir la marcha al contacto con un objeto de 1-1/2" (3.8 cm) de alto (o 2x4 colocado plano) en el piso.
13. Para evitar una LESIÓN PERSONAL GRAVE o la MUERTE por electrocución, desconecte TODA la alimentación eléctrica y de batería ANTES de realizar CUALQUIER servicio técnico o mantenimiento.
14. **GUARDE ESTAS INSTRUCCIONES.**

Instalación

1 Posicionar y montar el abrepuertas de garaje

NOTA: Para conocer otras opciones de montaje, consulte la página de accesorios.

1. Cierre la puerta del garaje completamente.
2. Deslice el abrepuertas de garaje hasta el extremo de la barra de torsión. Si la barra de torsión es demasiado larga o está dañada, es posible que tenga que cortarla.
Asegúrese de que el collarín NO toque el cojinete.
3. Use un nivel para posicionar y alinear verticalmente el abrepuertas de garaje. Compruebe que el soporte de montaje esté situado en una superficie sólida, como madera, hormigón o soporte de puerta/bandera. Si se instala sobre yeso, el soporte de montaje DEBE fijarse a un montante.
4. Cuando el abrepuertas de garaje esté bien alineado, marque los orificios del soporte de montaje. Si es necesario, apriete los tornillos del collarín en la barra de torsión para mantener el abrepuertas de garaje en su lugar mientras marca los orificios.
NOTA: el abrepuertas de garaje no tiene que estar a ras de la pared.
5. Quite el abrepuertas de garaje de la barra de torsión. Taladre orificios piloto de 3/16 pulg. en las ubicaciones marcadas. Taladre a través de las placas metálicas de la barandilla de la puerta si es necesario.
6. Deslice el abrepuertas de garaje de nuevo en la barra de torsión hasta que los orificios piloto se alineen con el soporte.
7. Apriete los 2 tornillos de cabeza cuadrada en la barra de torsión. En una barra de torsión hueca, apriete los tornillos 3/4 - 1 vuelta después de que haga contacto con la barra. En una barra de torsión de eje sólido, apriete los tornillos 1/4 - 1/2 vuelta máximo después de que haga contacto con el eje. Si se instala en una barra de torsión ranurada, NO apriete los tornillos hasta la ranura.
8. Fije el soporte de montaje a la pared y al abrepuertas de garaje. Use los tornillos 14-10x2" para fijar el soporte de montaje a la pared.

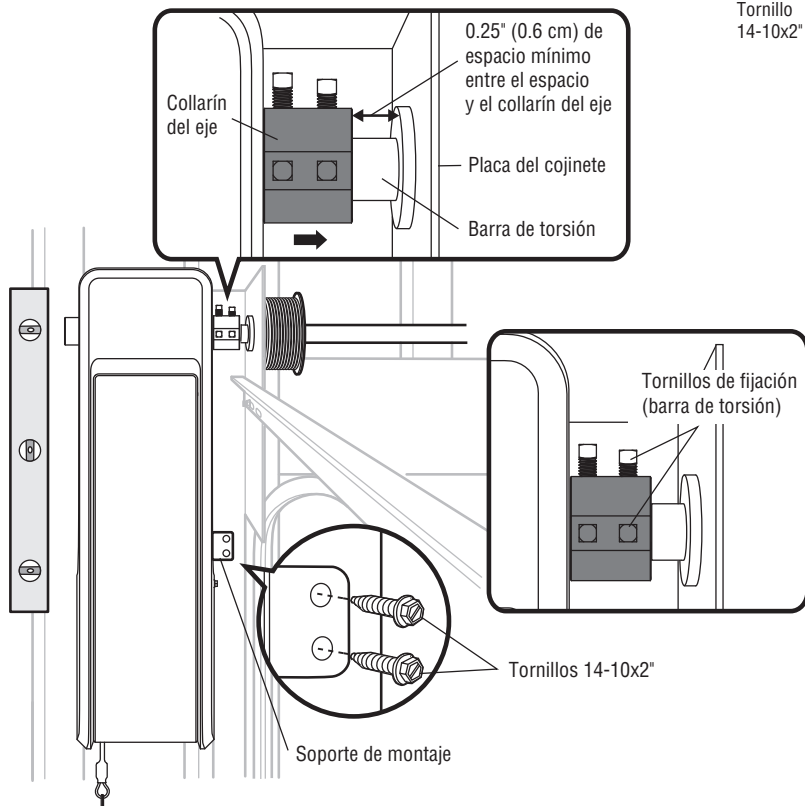
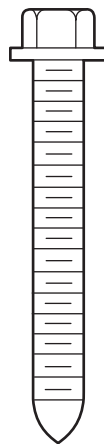
⚠ ADVERTENCIA

Para evitar posibles LESIONES GRAVES o la MUERTE:

- Se DEBEN usar anclajes de concreto si se monta el soporte en mampostería.
- NUNCA intente aflojar, mover o ajustar la puerta de garaje, resortes, cables, poleas, soportes o su herraje; TODOS están bajo tensión EXTREMA.
- Llame SIEMPRE a un técnico capacitado en sistemas de puerta si la puerta de garaje se atora, adhiere o no está balanceada. Una puerta de garaje no balanceada podría NO invertir la dirección de movimiento cuando se necesita.
- El abrepuertas de garaje DEBE montarse a un ángulo recto de la barra de torsión para evitar el desgaste prematuro del collarín.

HERRAJES

Tornillo
14-10x2" (2)

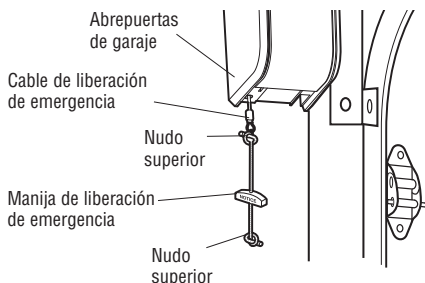


Instalación

2 Fijar la soga y manija de liberación de emergencia

1. Inserte un extremo de la soga de liberación de emergencia a través de la manija. Asegúrese de que la palabra "NOTICE" (AVISO) esté correctamente orientada para permitir su lectura. Fije con un nudo simple a una distancia de por lo menos 1" (2.5 cm) desde el extremo de la soga para evitar que se deslice.
2. Inserte el otro extremo de la soga de liberación de emergencia a través del orificio en el brazo de liberación del carro. Monte la liberación de emergencia al alcance pero al menos a 6 pies (1.83 m) por encima del piso, evitando el contacto con vehículos para evitar la liberación accidental, y fije con un nudo simple.

NOTA: De ser necesario cortar la soga, córtela y queme la punta con un fósforo o encendedor para evitar que se desate.

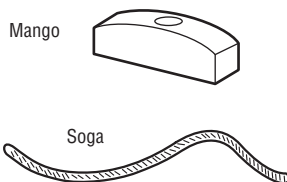


⚠ ADVERTENCIA

Para evitar posibles LESIONES GRAVES o la MUERTE por la caída de la puerta de garaje:

- De ser posible, use la manija de liberación de emergencia para soltar la puerta SOLO cuando la puerta de garaje esté CERRADA. Los resortes débiles o rotos o una puerta no balanceada podrían causar que la puerta caiga rápido o de forma repentina.
- NUNCA use la manija de liberación de emergencia a menos que no haya personas ni obstrucciones en la puerta de garaje.

HERRAJE



3 Instalar la traba automática de la puerta

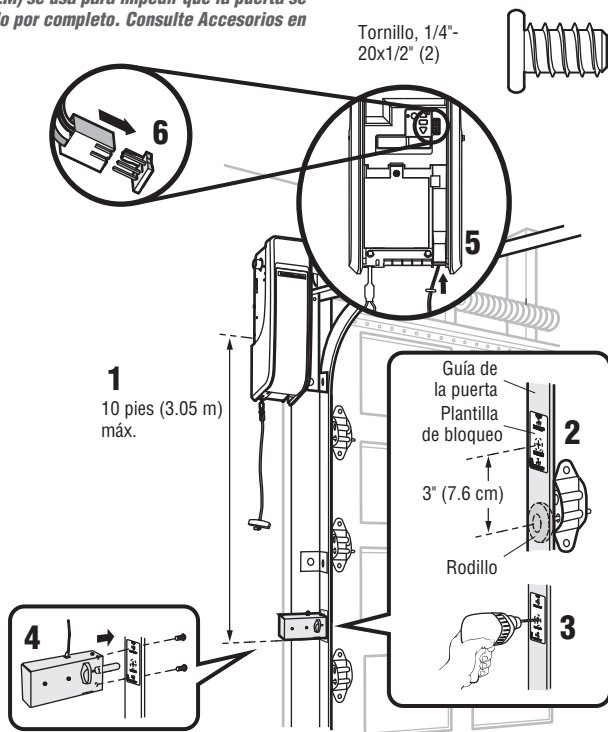
La traba automática de la puerta (modelo 841LM) se usa para impedir que la puerta se abra manualmente una vez que se haya cerrado por completo. Consulte Accesorios en la página 38.

NOTA: Las trabas para puertas de 24 V del modelo anterior son incompatibles.

1. La traba debe montarse a menos de 10 pies (3.05 m) del abrepuertas. Si es posible, móntela del mismo lado que el abrepuertas. El tercer rodillo desde abajo es ideal para la mayoría de las instalaciones.
2. Asegúrese de que la superficie del riel esté limpia y coloque la plantilla de la cerradura en la guía de manera que el orificio del perno esté aproximadamente a 3" (7.6 cm) del centro de un rodillo de la puerta.
3. Taladre los orificios según las indicaciones de la plantilla.
4. Sujete la traba automática de la puerta a la guía de la puerta con los herrajes suministrados.
5. Pase el cable de timbre por la pared hasta el abrepuertas. Use grapas aisladas para fijar el cable en varios lugares. Inserte el cable a través de la parte inferior del abrepuertas.
6. Enchufe el conector en cualquiera de los dos enchufes del abrepuertas.

Se puede instalar una traba secundaria en el lado opuesto de la puerta siguiendo las instrucciones anteriores.

HERRAJE



Instalación

4 Instalación del control de la puerta (Smart Control Panel®)

Instale el control de la puerta a la vista de la puerta de garaje, fuera del alcance de niños pequeños a una altura mínima de 5 pies (1.5 m) sobre pisos, descansos, escalones u otras superficies adyacentes de tránsito, y lejos de TODAS las piezas móviles de la puerta.

El abrepuertas de garaje es compatible con hasta 2 paneles de control inteligentes u otros 4 controles de puerta Security+ 2.0. **NOTA:** Los controles de puerta LiftMaster más antiguos y los productos de terceros no son compatibles.

Para las instalaciones de cajas de distribución no es necesario taladrar orificios ni instalar los anclajes de yeso. Use los orificios existentes de la caja de distribución.

1. Pele 7/16" (11 mm) de aislamiento de un extremo del cable y separe los cables.
2. Conecte uno a cada uno de los dos tornillos en la parte trasera del control de la puerta. Los cables se pueden conectar a cualquiera de los tornillos.
INSTALACIONES PRECABLEADAS: Elija dos cables cualesquiera a conectar, pero tenga en cuenta cuáles está usando.
3. Marque la ubicación del orificio de montaje inferior y taladre un orificio de 5/32" (4 mm).
4. Instale el tornillo inferior, dejando que sobresalga 1/8" (3 mm) de la pared.
5. Coloque el orificio inferior del control de la puerta sobre el tornillo y deslícelo hacia abajo hasta colocarlo en su lugar.
6. Levante la barra de empuje y marque el orificio superior.
7. Retire el control de la puerta de la pared y perforo un orificio de 5/32" (4 mm) para el tornillo superior.
8. Coloque el orificio inferior del control de la puerta sobre el tornillo y deslícelo hacia abajo hasta colocarlo en su lugar. Coloque el tornillo superior.
9. Pase el cable blanco y el rojo/blanco desde el control de la puerta hasta el abrepuertas de garaje. Fije el cable a la pared y al techo con las grapas (no se aplica a las instalaciones con caja de distribución o precolocadas). No perforo el cable con la grapa, ya que puede causar un cortocircuito o abrir el circuito.
10. Conecte el cable a los terminales rojo y blanco en el abrepuertas de garaje. Los cables se pueden conectar a cualquiera de los tornillos.
11. Fije el cartel de advertencia en la pared junto al control de la puerta.

NOTA: NO conecte la corriente ni ponga en funcionamiento el abrepuertas de garaje en este momento. La puerta se desplazará hasta la posición de apertura total, pero no volverá a la posición de cierre hasta que los sensores de inversión de seguridad estén conectados y correctamente alineados. Consulte la página 13.

⚠️ ADVERTENCIA

Para evitar posibles LESIONES GRAVES o la MUERTE por electrocución:

- Asegúrese de que la alimentación NO esté conectada ANTES de instalar el control de la puerta.
- SOLO conecte a cables de baja tensión de 7-28 VOLTIOS.

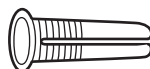
Para evitar posibles LESIONES GRAVES o la MUERTE por el cierre de la puerta de garaje:

- Instale el control de la puerta a la vista de la puerta de garaje, fuera del alcance de niños pequeños, a una altura mínima de 5 pies (1.5 m) sobre pisos, descansos, escalones u otras superficies adyacentes de tránsito y lejos de TODAS las piezas móviles de la puerta.
- NUNCA permita que los niños operen o jueguen con los botones pulsadores del control de la puerta o los transmisores del control remoto.
- SOLO active la puerta cuando pueda verse con claridad, esté correctamente ajustada y no haya obstrucciones para su recorrido.
- Mantenga SIEMPRE la puerta de garaje a la vista hasta que esté completamente cerrada. NUNCA permita que nadie se ponga en el camino de una puerta que se está cerrando.

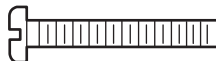
HERRAJE



Tornillo 6ABx1-1/4" (Instalación estándar) (2)

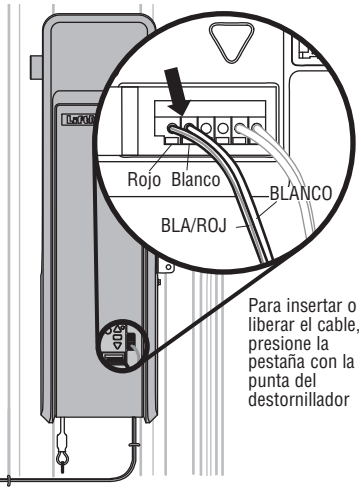
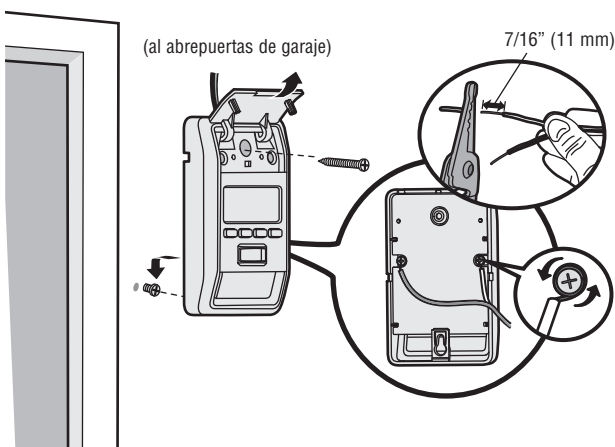


Anclajes para yeso (2)



Tornillo 6-32x1" (precolocado) (2)

Grapas aisladas (No se muestra)



INSTRUCCIONES IMPORTANTES DE INSTALACIÓN

⚠️ ⚡ ADVERTENCIA

Para reducir el riesgo de LESIÓN GRAVE o MUERTE:

- Esta luminaria portátil cuenta con un enchufe polarizado (una clavija es más ancha que la otra) con el fin de reducir el riesgo de descarga eléctrica.
- Este enchufe encajará SOLO de una manera en un tomacorriente polarizado. Si el enchufe no encaja completamente en el tomacorriente, invierta el enchufe. Si aún no encaja, comuníquese con un electricista autorizado.
- No altere el enchufe.
- La luz SOLO está destinada para montaje en el techo y aplicaciones en interiores.

5 Instalación de la luz LED remota myQ

La luz LED remota myQ está diseñada para conectarse directamente a una toma de corriente estándar de 120 V. Seleccione una ubicación adecuada en el techo o la pared para montar la luz a menos de 6 pies (1.83 m) de un tomacorriente, de modo que el cable y la luz estén alejados de las piezas móviles.

NOTA: Si instala la luz en yeso y no se puede ubicar una viga en el techo, use los anclajes de yeso que se suministran. No necesita agujeros piloto para anclajes de yeso.

1. Taladre orificios piloto con una separación de 6-1/8" (15.6 cm) si el montaje se realiza en una viga.

0

Atornille anclajes para paneles de yeso con una separación de 6-1/8" (15.6 cm) si el montaje se realiza en paneles de yeso.

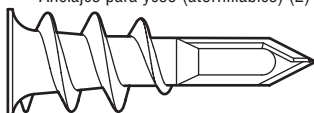
2. Determine la longitud del cable de alimentación necesaria para llegar al tomacorriente más cercano. Enrolle el cordón sobrante alrededor del retén del cable del lado superior de la base de la luz. Pase el cable por el canal para que la luz se monte a ras.
3. Abra el lente de luz.
4. Monte la luz con los tornillos suministrados.
5. Cierre el lente de luz.
6. Conecte la luz al tomacorriente.

NOTA: La luz LED es muy brillante. NO mire fijamente la luz mientras esté en una escalera.

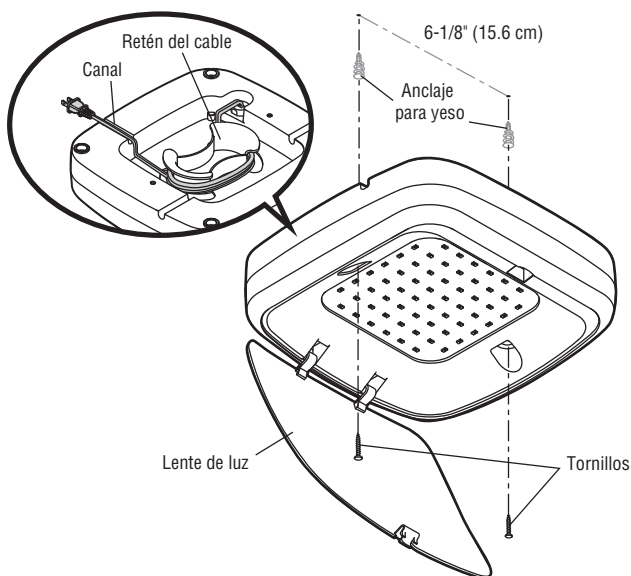
La luz remota de su abrepuertas de garaje ya ha sido programada en la fábrica para que funcione con su abrepuertas. Será necesario programar cualquier luz remota adicional o de reemplazo.

HERRAJE

Anclajes para yeso (atornillables) (2)



Tornillo, #6x1" (2)



Instalación (continuación)

6 Instalación del Protector System®

El sensor de inversión de seguridad debe estar conectado y alineado correctamente antes de que la puerta de garaje pueda moverse en la dirección de bajada. Este es un dispositivo de seguridad obligatorio y no se puede desactivar.

INFORMACIÓN IMPORTANTE SOBRE LOS SENSORES DE INVERSIÓN DE SEGURIDAD

Cuando está correctamente conectado y alineado, el sensor de inversión de seguridad detectará un obstáculo en la trayectoria de su haz electrónico. El sensor emisor (con un indicador luminoso ámbar) transmite un haz de luz invisible al sensor receptor (con un indicador luminoso verde). Si una obstrucción interrumpe el haz de luz mientras la puerta se está cerrando, esta se detendrá y retrocederá hasta la posición de apertura total.

Los sensores deben instalarse en el interior del garaje de manera que los sensores emisores y receptores se enfrenten a través de la puerta, a no más de 6 pulgadas (15 cm) del piso. Cualquiera de ellos puede instalarse a la izquierda o a la derecha de la puerta, siempre que el sol no incida nunca directamente en la lente del sensor receptor.

Los soportes de montaje están hechos para engancharse a la guía de las puertas de garaje seccionales sin necesidad de herrajes adicionales.

Si es necesario montar los sensores en la pared, los soportes deben estar bien fijados a una superficie sólida, como el marco de la pared. Se dispone de soportes de extensión (consulte Accesorios) en caso de ser necesarios. Si se instala en una construcción de mampostería, añada un trozo de madera en cada lugar para evitar perforar agujeros adicionales en la mampostería si es necesario reposicionarla.

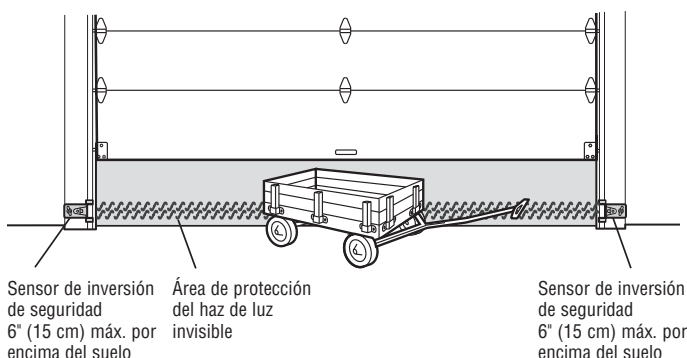
La trayectoria del haz de luz invisible no debe estar obstruida. Ninguna parte de la puerta de garaje (guías de la puerta, resortes, bisagras, rodillos u otros herrajes) puede interrumpir el haz mientras la puerta se cierra.

⚠ ADVERTENCIA

Asegúrese de que la alimentación NO esté conectada al abrepuertas de garaje ANTES de instalar el sensor de inversión de seguridad.

Para evitar posibles LESIONES GRAVES o la MUERTE por el cierre de la puerta de garaje:

- Conecte y alinee correctamente el sensor de inversión de seguridad. Este dispositivo de seguridad requerido NO SE DEBE desactivar.
- Instale el sensor de inversión de seguridad de modo que el haz esté a una altura NO MAYOR a 6" (15 cm) sobre el piso del garaje.



Frente a la puerta desde el interior del garaje.

Instalación (continuación)

INSTALACIÓN DE LOS SOPORTES

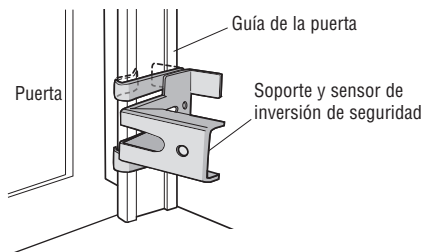
Los soportes alojan los sensores de inversión de seguridad en una posición segura y fija, de modo que dichos sensores queden enfrentados a través de la puerta del garaje, con el haz a una altura no superior a 6" (15 cm) por arriba del piso. Asegúrese de que se haya desconectado la alimentación eléctrica al abrepuertas.

Elija una de las siguientes instalaciones.

Opción A: Instalación de las guías

1. Deslice los brazos curvos sobre el borde redondeado de cada guía de la puerta, con los brazos curvos hacia la puerta, y asegúrese de que los soportes no midan más de 6" (15 cm) por encima del suelo.
2. Encaje el soporte en su lugar contra el lado de la guía. Debe quedar al ras, con el labio abrazando el borde posterior de la guía, como se muestra.

Si la guía de su puerta no sostiene el soporte de forma segura, consulte la opción B: Instalación en la pared.

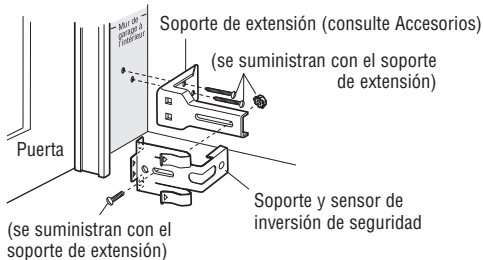
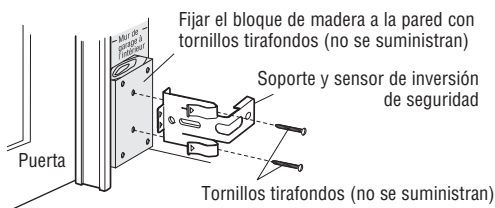


OPCIÓN B: Instalación en la pared

1. Coloque el soporte contra la pared con los brazos curvos hacia la puerta. Asegúrese de que haya suficiente espacio libre para que el haz del sensor no esté obstruido.
2. Si se necesita más profundidad, se puede utilizar un soporte de extensión (modelo 041A5281-1) o bloques de madera. Consulte la sección Accesorios.
3. Utilice los orificios de montaje del soporte como plantilla para localizar y perforar (2) orificios piloto de 3/16" de diámetro en la pared a cada lado de la puerta, a una altura no superior a 6" (15 cm) del piso.
4. Fije los soportes a la pared con tornillos tirafondos (no se suministran).

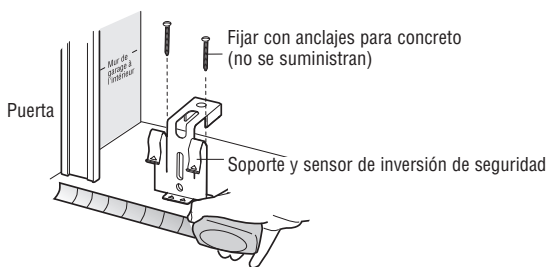
Si se utilizan soportes de extensión o bloques de madera, ajuste los conjuntos derecho e izquierdo a la misma distancia fuera de la superficie de montaje. Asegúrese de despejar todas las obstrucciones de los herrajes de la puerta.

Si la opción B no funciona, consulte la opción C: Instalación en el piso.



OPCIÓN C: Instalación en el piso

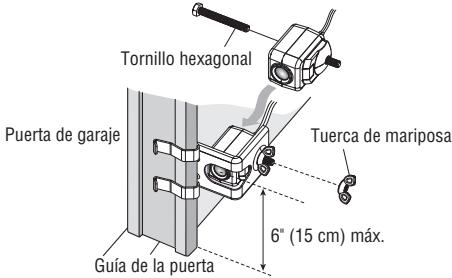
1. Use bloques de madera o soportes de extensión (consulte Accesorios) para elevar los soportes del sensor de modo que los lentes no estén a una altura superior a 6" (15 cm) por arriba del suelo.
2. Mida con cuidado y coloque los conjuntos derecho e izquierdo a la misma distancia de la pared. Asegúrese de despejar todas las obstrucciones de los herrajes de la puerta.
3. Fije al suelo con anclajes de concreto tal como se muestra.



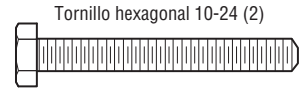
Instalación (continuación)

MONTAJE DE LOS SENSORES DE INVERSIÓN DE SEGURIDAD.

1. Deslice un tornillo hexagonal 10-24 en la ranura de cada sensor.
2. Use tuercas de mariposa para sujetar los sensores de inversión de seguridad a los soportes, con las lentes orientadas de modo que queden enfrentadas a través de la puerta. Asegúrese de que la lente no quede obstruida por una extensión del soporte.
3. Apriete con los dedos las tuercas de mariposa.



HERRAJE

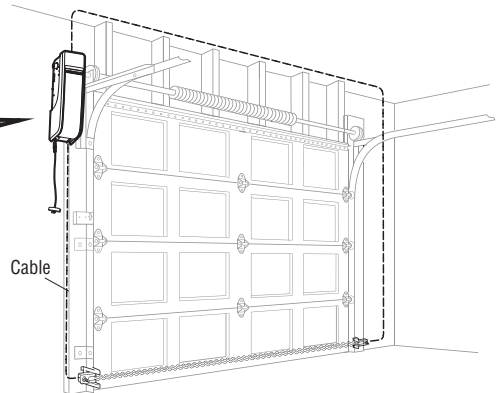
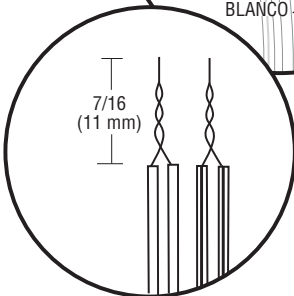
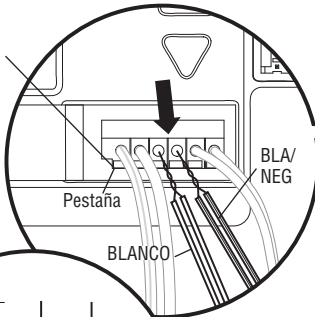


CONECTAR LOS SENSORES DE INVERSIÓN DE SEGURIDAD

El sensor receptor dispone de un cable de menor longitud y se debe montar en el mismo lado que el operador. Si se producen interferencias con la luz solar, el sensor receptor se puede desplazar al otro lado de la abertura de la puerta al cortar los cables del sensor emisor y del sensor receptor y volver a conectar dichos cables.

1. Pase el cable hasta el abrepuertas de garaje y fíjelo. Fije con firmeza el cable a la pared y al techo con grapas (no se suministran).
2. Pele 7/16 de pulgada (11 mm) del aislamiento de cada juego de cables. Separe los cables blancos de los negros. Retuerza entre sí los cables blancos. Retuerza entre sí los cables blancos/negros.
3. En el abrepuertas de garaje, presione la pestaña con la punta de un destornillador para insertar los cables blancos en el terminal blanco y los cables blanco/negro en el terminal gris.

Para insertar o liberar el cable, presione la pestaña con la punta del destornillador



Instalación (continuación)

7 Conexión de la alimentación

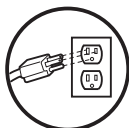
Para evitar dificultades en la instalación, no ponga en funcionamiento el abrepuertas de garaje en este momento.

Para reducir el riesgo de descarga eléctrica, el abrepuertas de garaje tiene un enchufe con conexión a tierra mediante una tercera clavija. Este enchufe solo encajará de una manera en un tomacorriente con conexión a tierra. Si el enchufe no encaja en el tomacorriente, llame a un electricista capacitado para instalar uno adecuado.

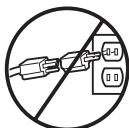
Hay dos opciones para conectar la alimentación:

OPCIÓN A: CABLEADO TÍPICO

1. Enchufe el abrepuertas de garaje en un tomacorriente conectado a tierra.
2. NO ponga en funcionamiento el sistema de apertura de la puerta del garaje en este momento.



CORRECTO

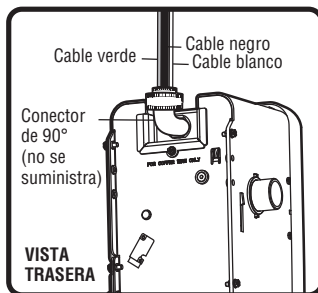
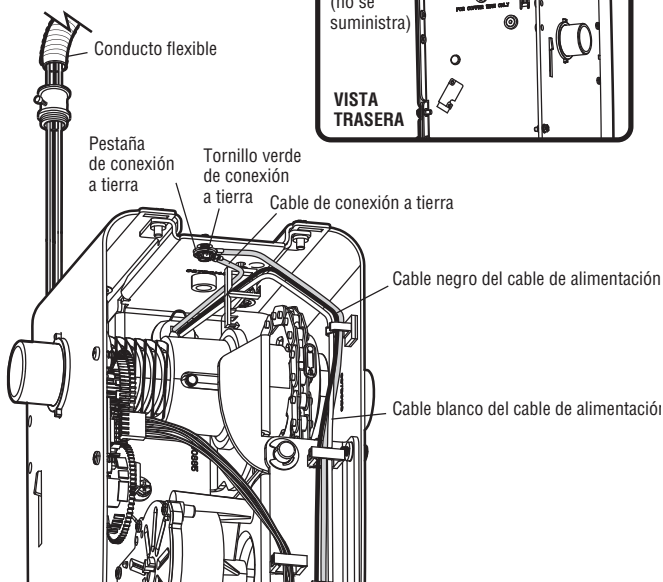


INCORRECTO

OPCIÓN B: CONEXIÓN DEL CABLEADO PERMANENTE

Si el código eléctrico local requiere un cableado permanente, consulte el siguiente procedimiento.

1. Para hacer una conexión permanente a través del orificio de 7/8 de pulgada en la parte posterior del abrepuertas de garaje (de acuerdo con el código local):
2. Asegúrese de que NO se haya desconectado la alimentación eléctrica al abrepuertas y desconecte la alimentación eléctrica al circuito.
3. Retire el abrepuertas de garaje desde la barra de torsión, retire los tornillos de la tapa y deje la tapa a un lado.
4. Corte el cable de línea 6" (15.2 cm) por arriba del alivio de tensión.
5. Comprima el alivio de tensión y empújelo dentro del abrepuertas de garaje y, luego, retire el alivio de tensión del cable de línea.
6. Instale un conducto de 90° (no se suministra) o un adaptador de cable flexible (no se suministra) al orificio de 7/8". Reinstale el abrepuertas de garaje en la barra de torsión.
7. Pase los cables a través del conducto, corte a la longitud correcta y pele el aislamiento.
8. Pele 1/2" (1.3 cm) de aislamiento de los cables negros, blancos y verdes existentes.
9. Conecte la línea al cable negro y el neutro al cable blanco, usando tuercas para cables (no se suministran). Conecte el cable a tierra al tornillo verde de conexión a tierra.
10. Fije correctamente los cables debajo de amarres plásticos de modo que no entren en contacto con piezas en movimiento.
11. Reinstale la tapa.



ADVERTENCIA

Para evitar posibles LESIONES GRAVES o la MUERTE por electrocución o incendio:

- Asegúrese de que la alimentación NO esté conectada al abrepuertas, y de desconectar la alimentación al circuito ANTES de quitar la cubierta para establecer una conexión de cableado permanente.
- La instalación de la puerta del garaje y el cableado DEBEN cumplir con TODOS los códigos de construcción y electricidad locales.
- NUNCA use una extensión, un adaptador de dos cables ni cambie el enchufe de NINGUNA manera para que encaje en el tomacorriente. Asegúrese de que el abrepuertas esté conectado a tierra.

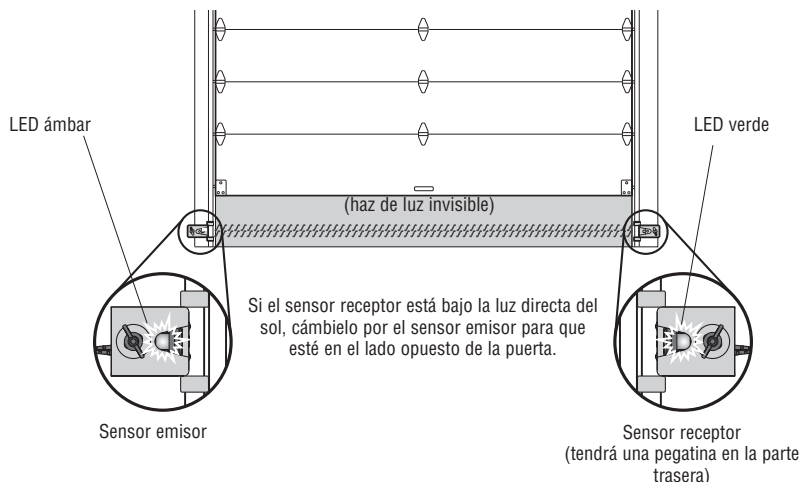
8 Alineamiento de los sensores de inversión de seguridad

La puerta no se cerrará si los sensores no se han instalado y alineado correctamente.

NOTA: No ponga en funcionamiento el abrepuertas al terminar de realizar la instalación.

Consulte el apartado Configuración del perfil de la puerta y Programación del recorrido para configurar el tamaño del tambor de la puerta y los límites del recorrido. Ambos procesos son fundamentales para un funcionamiento seguro y correcto. El incumplimiento de estas instrucciones puede provocar daños en el abrepuertas y en la puerta.

Los LED de ambos sensores deben permanecer encendidos, lo que indica que están alimentados y alineados correctamente. El sensor emisor (con un LED ámbar) transmite un haz de luz invisible al sensor receptor (con un LED verde). Si una obstrucción interrumpe el haz de luz mientras la puerta se está cerrando, esta se detendrá y retrocederá hasta la posición de apertura total. Si la puerta ya está abierta, no se cerrará.



PARA ALINEAR LOS SENSORES:

Los sensores se pueden alinear al aflojar las tuercas de mariposa, alinear los sensores y reajustar las tuercas de mariposa.

Si los LED no permanecen encendidos:

- Verifique que ambos sensores estén instalados en el interior del garaje, uno a cada lado de la puerta.
- Verifique que los sensores estén enfrentados con las lentes alineadas y que la luz del sensor receptor no reciba luz solar directa.
- Verifique que los sensores tengan la misma medida, no más de 6" sobre el piso.

Si el LED ámbar no se enciende:

- Verifique que el abrepuertas de garaje esté alimentado.
- Verifique que el cable del sensor no esté en cortocircuito/roto.
- Verifique que el sensor se haya cableado correctamente: Los cables blancos al terminal blanco y los blancos/negros al terminal gris.

Si el LED verde no se enciende:

- Verifique que el cable del sensor no esté en cortocircuito/roto.
- Verifique que los sensores estén alineados.

Instalación

9 Instalación de la batería de respaldo

Al estar en el modo de batería de respaldo, quedarán desactivados myQ Smartphone Control y los dispositivos myQ inalámbricos. En el modo de batería de respaldo, la traba automática de la puerta del garaje se desbloqueará cuando se abra la puerta del garaje y permanecerá desactivada hasta que se restablezca la energía.

1. Desenchufe el abrepuertas de garaje.
2. Use un destornillador Phillips para extraer la cubierta de la batería en el abrepuertas de garaje.
3. Inserte parcialmente la batería en el compartimento de la batería con los terminales hacia afuera.
4. Conecte los cables rojo (+) y negro (-) del abrepuertas de garaje a los terminales correspondientes en la batería.
5. Vuelva a colocar la tapa de la batería y coloque la antena en el canal.
6. Enchufe el abrepuertas de garaje.

LED DE ESTADO DE LA BATERÍA

LED VERDE:

Todos los sistemas están normales.

- Un LED verde fijo indica que la batería está completamente cargada.
- Un LED verde parpadeante indica que la batería se está cargando.

LED NARANJA:

El abrepuertas de garaje ha perdido alimentación y está en modo de batería de respaldo.

- Un LED naranja fijo con un pitido, que suena aproximadamente cada 2 segundos, indica que el abrepuertas de garaje funciona con la energía de la batería.
- Un LED naranja parpadeante con un pitido que suena cada 30 segundos, indica que la batería está en un nivel bajo.

LED ROJO:

Debe reemplazar la batería de 12 V del abrepuertas de garaje.

- Un LED rojo fijo con un pitido, que suena cada 30 segundos, indica que la batería de 12 V ya no mantiene la carga y necesita reemplazarse. Reemplace la batería para mantener la característica de batería de respaldo.

NOTA: La batería no tiene que estar completamente cargada para operar el abrepuertas de garaje.

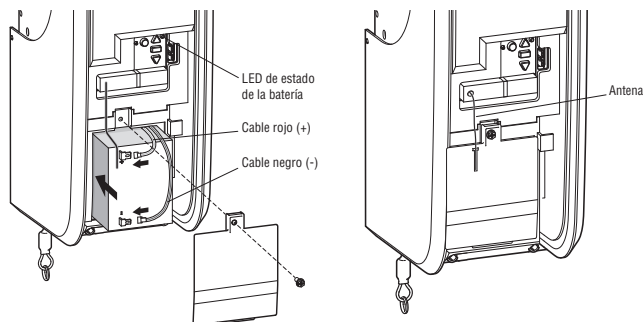
⚠ ADVERTENCIA

Para reducir el riesgo de INCENDIO o LESIONES:

- Desconecte TODA alimentación eléctrica y de batería ANTES de realizar CUALQUIER servicio o mantenimiento.
- Use SOLO la pieza #485LM de LiftMaster para reemplazar la batería.
- NO deseche la batería quemándola. La batería puede explotar. Consulte las normas locales las instrucciones especiales para desecharlas.

⚠ PRECAUCIÓN

Use SIEMPRE guantes protectores y protectores para la vista al cargar la batería o al trabajar cerca del compartimento de la batería.



NOTA: Asegúrese de que la antena corta no queda aprisionada por la tapa de la batería y sujétela como se muestra.

Ajuste

1 Identificación del perfil de la puerta

Para identificar el número de perfil de la puerta, mida el diámetro completo del tambor basándose en las imágenes siguientes.

NOTA: Este paso es importante para garantizar el correcto funcionamiento de la unidad.

Para ver un video que demuestra cómo identificar y establecer el perfil de la puerta, escanee el código QR.



ADVERTENCIA

Para evitar posibles LESIONES GRAVES o la MUERTE, siga las instrucciones de selección y ajuste del perfil de la puerta para un funcionamiento seguro y correcto.

Puerta seccional de elevación estándar

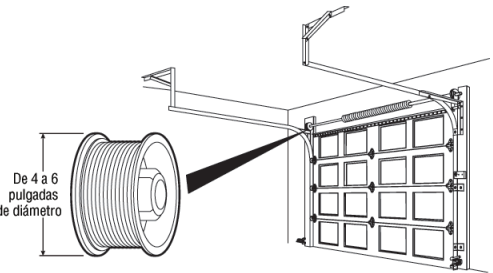
- Perfil de la puerta 1 = Puerta de peso estándar a pesado* con tambor de 4" (recomendado).
- Perfil de la puerta 2 = Puerta ligera con tambor de 4".
- Perfil de la puerta 3 = Puerta pesada* con tambor de 6".
- Perfil de la puerta 4 = Puerta ligera con tambor de 6".

*NOTA: El tamaño de los tambores varía según el fabricante.

Para las puertas seccionales de elevación estándar:

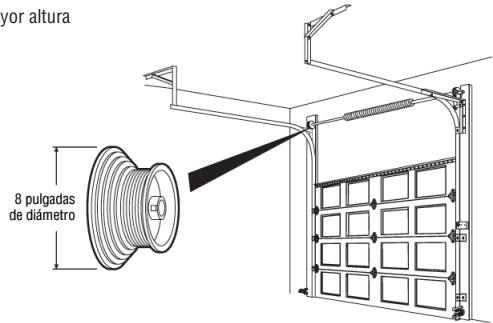
- Para tambores inferiores o iguales a 5", utilizar tambor de 4".
- Para tambores de más de 5", utilizar tambor de 6".

Las puertas de peso estándar a pesado son aquellas con interiores de madera maciza, exteriores de chapa de madera, ventanas de cristal, aislamiento o decoraciones.



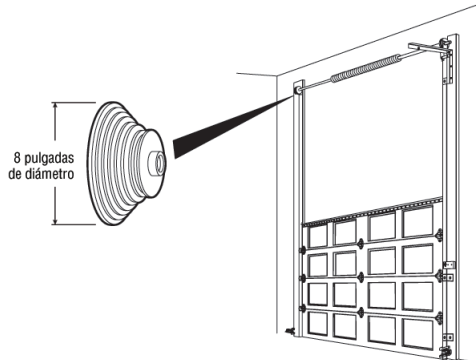
Puerta de elevación alta

- Perfil de la puerta 5 = Tambor cónico con rieles que se elevan a mayor altura



Puerta seccional de elevación vertical

- Perfil de la puerta 5 = Tambor cónico con rieles que se elevan verticalmente por encima de la abertura.



Ajuste

2 Establecimiento del perfil de la puerta

1. Para entrar en el modo Set Door Profile (Establecer el perfil de la puerta), mantenga presionado el botón negro durante un segundo. Los botones UP (SUBIDA) y DOWN (BAJADA) se vuelven de color sólido.
2. Para establecer el perfil de la puerta, presione los botones UP (SUBIDA) y DOWN (BAJADA). El botón LED Learn (Aprender) parpadea y emite un pitido al cambiar el ajuste.
3. La cantidad de parpadeos del botón LED Learn (Aprender) indica el perfil que seleccionó. No hay ningún ajuste de perfil de puerta preestablecido.

Parpadea	Tamaño del tambor	Tipo de puerta	Peso de puerta desequilibrado
1	4"	Seccional	> 180 lb
2	4"	Seccional	< 180 lb
3	6"	Seccional	> 400 lb
4	6"	Seccional	< 400 lb
5	8"	De elevación alta o vertical	N/C

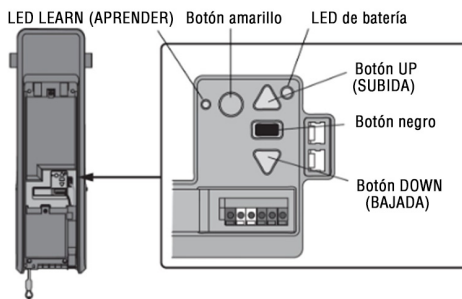
4. Presione y suelte el botón negro para ajustar el perfil de puerta. Este proceso ya se completó. Proceda al modo de aprendizaje del recorrido.

AJUSTE DEL NÚMERO DE PERFIL DE LA PUERTA DE SALIDA

Si no se realiza ninguna selección en 4.5 minutos, el modo de selección de perfil de puerta se cancelará con un pitido largo.

ADVERTENCIA

Para evitar posibles LESIONES GRAVES o la MUERTE, después de CUALQUIER cambio en el perfil de la puerta, re programe los límites.



Ajuste

3 Programación del recorrido

⚠ ADVERTENCIA

Sin un sistema de inversión de seguridad correctamente instalado, las personas (en particular, los niños pequeños) podrían sufrir **GRAVES LESIONES** o la **MUERTE** como consecuencia del cierre de la puerta del garaje.

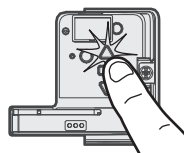
- Un ajuste incorrecto de los límites de recorrido de la puerta del garaje interferirá con la operación correcta del sistema de inversión de seguridad.
- Después de realizar **CUALQUIER** ajuste, **DEBE** probarse el sistema de inversión de seguridad. La puerta **DEBE** invertir su dirección de movimiento al entrar en contacto con un objeto de 1-1/2" (3.8 cm) de alto (o de 2x4 colocado plano) sobre el piso.

Nota: Mientras programa el desplazamiento, los botones UP (SUBIR) y DOWN (BAJAR) se pueden usar para mover la puerta según sea necesario. Durante la configuración de fuerza automática, la puerta se abrirá y cerrará automáticamente.

- 1** Mantenga presionado el botón UP (SUBIDA) hasta que la puerta alcance la posición de SUBIDA deseada.



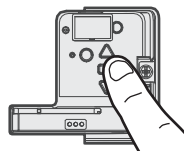
- 2** Una vez que la puerta esté en la posición de SUBIDA deseada, presione y suelte el botón de ajuste. Las luces del abrepuertas de garaje parpadearán dos veces y el botón UP (SUBIR) comenzará a parpadear.



- 3** Mantenga presionado el botón DOWN (BAJADA) hasta que la puerta alcance la posición de BAJADA deseada.



- 4** Una vez que la puerta esté en la posición DOWN (BAJADA) deseada, presione y suelte el botón de ajuste. Las luces del abrepuertas de garaje parpadearán dos veces. Se completó el proceso de programar el recorrido. Si las luces del abrepuertas de garaje parpadean 5 veces, entonces se ha llegado al límite de tiempo de programación y los límites de desplazamiento no se han fijado. Reinicie el proceso de programar el recorrido.



4 Configuración de fuerza automática

Una vez establecidas manualmente las posiciones de subida y bajada, los sensores de inversión de seguridad se reconectarán y se tornarán operacionales. Seguidamente, el abrepuertas ingresará en una operación de detección de fuerza al mover la puerta automáticamente para abrirla y cerrarla. El abrepuertas de garaje emitirá una alerta visual y audible antes de abrir y cerrar la puerta automáticamente. El abrepuertas de garaje emitirá un pitido tres veces, confirmando de este modo que se ha completado con éxito la configuración de fuerza automática. El ajuste está completo.

Si oye un pitido largo después de que la puerta intenta moverse, entonces no se ha completado satisfactoriamente la configuración de fuerza automática. Vuelva a iniciar el procedimiento a partir del paso 1 de Programación del recorrido.



Ajuste

5 Prueba del sistema de inversión de seguridad

⚠ ADVERTENCIA

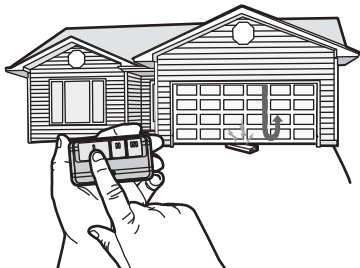
Sin un sistema de inversión de seguridad correctamente instalado, las personas (en particular, los niños pequeños) podrían sufrir **GRAVES LESIONES** o la **MUERTE** como consecuencia del cierre de la puerta del garaje.

- El sistema de inversión de seguridad **DEBE** probarse cada mes.
- Después de hacer **CUALQUIER** ajuste, **DEBE** probarse el sistema de inversión de seguridad. La puerta **DEBE** invertir su dirección de movimiento al entrar en contacto con un objeto de 1-1/2" (2 cm) de alto (o de 2x4 colocado plano) sobre el piso.

- 1 Con la puerta completamente abierta, coloque una tabla de 1-1/2 pulg. (3.8 cm) (o una madera de 2x4 colocada plana) sobre el piso, centrada debajo de la puerta del garaje.



- 2 Presione el botón Push (Pulsar) del control remoto para cerrar la puerta. La puerta **DEBE** invertir la dirección de movimiento cuando entre en contacto con la tabla.



Si la puerta se detiene pero no invierte su sentido de movimiento:

1. Repita Programación del recorrido (consulte el paso 3 de Ajuste):
2. Repita la prueba de inversión de seguridad.

Si la prueba sigue fallando, llame a un técnico capacitado en sistemas de puertas.

6 Prueba del Protector System®

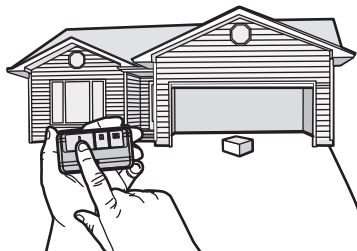
⚠ ADVERTENCIA

Sin un sistema de inversión de seguridad correctamente instalado, las personas (en particular, los niños pequeños) podrían sufrir **GRAVES LESIONES** o la **MUERTE** como consecuencia del cierre de la puerta del garaje.

- 1 Abra la puerta. Coloque una obstrucción en la trayectoria de la puerta.



- 2 Presione el botón Push (Pulsar) del control remoto para cerrar la puerta. La puerta no se moverá más de una pulgada (2.5 cm).



El abrepuertas de garaje no cerrará desde un control remoto si el LED en cualquiera de los sensores de inversión de seguridad está apagado (alertándole del hecho de que el sensor está mal alineado u obstruido).

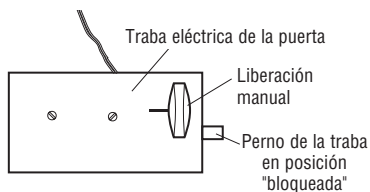
Si el abrepuertas de garaje cierra la puerta cuando el sensor de inversión de seguridad está obstruido (y los sensores no están a más de 6" [15 cm] sobre el piso), llame a un técnico capacitado en sistemas de puertas.

Ajuste (continuación)

7 Prueba de la traba eléctrica de la puerta

1. Con la puerta completamente cerrada, compruebe para asegurarse de que el perno de la traba eléctrica quede visible, sobresaliendo a través de la guía.
2. Presione el botón en el control remoto para abrir la puerta de garaje. La traba eléctrica de la puerta debe retraerse antes de que la puerta comience a moverse.
3. Presione el botón en el control remoto para cerrar la puerta de garaje. Cuando la puerta llega a la posición completamente cerrada, la traba eléctrica de la puerta deberá activarse automáticamente para asegurar la puerta.

NOTA: La traba eléctrica de la puerta puede liberarse manualmente deslizando la manija de liberación manual a la posición de apertura. Sin embargo, si la traba eléctrica de la puerta no funciona, comuníquese con Chamberlain para solicitar un reemplazo.



8 Prueba de la liberación de emergencia

APERTURA DE LA PUERTA DE FORMA MANUAL:

1. Cierre la puerta del garaje. Deslice la manija de liberación manual en la traba eléctrica de la puerta para abrirla, antes de seguir adelante.
2. Tire hacia abajo de la manija de liberación de emergencia hasta que oiga un chasquido.
3. Levante la puerta manualmente.

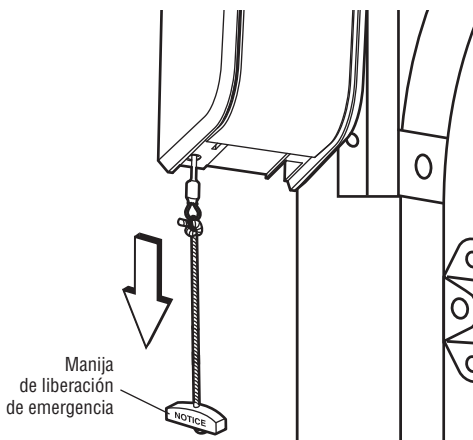
RECONECTAR LA PUERTA AL ABREPUERTAS DE GARAJE:

1. Tire hacia abajo de la manija de liberación de emergencia hasta que oiga un chasquido. La puerta se reconectará en la próxima operación de movimiento de SUBIDA o BAJADA.

⚠ ADVERTENCIA

Para evitar posibles LESIONES GRAVES o la MUERTE por la caída de la puerta de garaje:

- De ser posible, use la manija de liberación de emergencia para soltar la puerta SOLO cuando la puerta de garaje esté CERRADA. Los resortes débiles o rotos o una puerta no balanceada podrían causar que la puerta caiga rápido o de forma repentina.
- NUNCA use la manija de liberación de emergencia a menos que no haya personas ni obstrucciones en la puerta de garaje.



INSTRUCCIONES IMPORTANTES DE SEGURIDAD

ADVERTENCIA

Para reducir el riesgo de LESIONES GRAVES o la MUERTE:

1. Lea y siga todas las advertencias e instrucciones.
2. Mantenga SIEMPRE los controles remotos fuera del alcance de los niños. NUNCA permita que los niños operen o jueguen con los botones pulsadores del control de la puerta de garaje o los controles remotos.
3. SOLO active la puerta de garaje cuando pueda verse con claridad, esté correctamente ajustada y no haya obstrucciones al recorrido de la puerta.
4. Mantenga SIEMPRE la puerta de garaje en vista y lejos de personas y objetos hasta que esté completamente cerrada. NADIE DEBE PASAR POR EL RECORRIDO DE UNA PUERTA EN MOVIMIENTO.
5. NADIE DEBE PASAR POR DEBAJO DE UNA PUERTA DETENIDA, PARCIALMENTE ABIERTA.
6. De ser posible, use la manija de liberación de emergencia para soltar la puerta SOLO cuando la puerta de garaje esté CERRADA. Tenga cuidado al utilizar esta liberación con la puerta abierta. Los resortes débiles o rotos o una puerta no balanceada podrían causar que la puerta caiga rápido o de forma repentina y aumentar el riesgo de LESIÓN GRAVE o MUERTE.
7. NUNCA use la manija de liberación de emergencia a menos que no haya personas ni obstrucciones en la puerta de garaje.
8. NUNCA use la manija de liberación de emergencia para abrir o cerrar la puerta del garaje. Si se desata el nudo de la cuerda, podría caerse.
9. Después de hacer CUALQUIER ajuste, DEBE probarse el sistema de inversión de seguridad.
10. El sistema de inversión de seguridad DEBE probarse cada mes. La puerta DEBE invertir la marcha al contacto con un objeto de 1-1/2" (3.8 cm) de alto (o una madera 2x4 colocada plana) en el piso. Si no se ajusta correctamente el abrepuertas de garaje, aumenta el riesgo de ocasionar LESIONES GRAVES o MUERTE.
11. SIEMPRE MANTENGA LA PUERTA DE GARAJE CORRECTAMENTE EQUILIBRADA. Una puerta mal balanceada podría NO invertirse cuando sea necesario y causar LESIONES GRAVES o la MUERTE.
12. Un técnico capacitado en sistemas de puertas DEBE realizar TODAS las reparaciones a cables, conjuntos de resortes y otros herrajes; TODOS están bajo tensión EXTREMA.
13. SIEMPRE desconecte la alimentación eléctrica del abrepuertas de garaje ANTES de hacer CUALQUIER reparación o de quitar cubiertas.
14. Este sistema de apertura de puertas de garaje está equipado con una característica de funcionamiento sin supervisión. La puerta podría moverse de forma inesperada. NADIE DEBE CRUZAR EL CAMINO DE LA PUERTA MÓVIL.
15. **GUARDE ESTAS INSTRUCCIONES.**

Funcionamiento

Uso de su abrepuertas de garaje

FUNCIONES

Su abrepuertas de garaje está equipado con funciones que le brindan un mayor control sobre el funcionamiento de la puerta de su garaje.

Alert2Close

La función Alert2Close proporciona una alerta visual y audible de que se está cerrando una puerta desatendida.

TEMPORIZADOR DE CIERRE (TTC)

La función TTC cierra la puerta automáticamente después de un período de tiempo especificado que puede ajustarse usando un control de puerta activado por TTC (Modelos 881LMW o 880LMW). Antes y durante el cierre de la puerta, las luces del abrepuertas de garaje parpadearán y este emitirá un pitido. La luz LED remota myQ debe estar instalada para utilizar el TTC o myQ para controlar la puerta.

myQ

myQ le da control del abrepuertas de garaje desde su dispositivo móvil o computadora dondequiera que esté. La tecnología myQ utiliza una señal de 900 Mhz para proporcionar comunicación de dos vías entre el abrepuertas de garaje y accesorios compatibles con myQ. El abrepuertas de garaje tiene una pasarela interna que permite que el abrepuertas de garaje se comunique directamente con una red Wi-Fi de la casa y acceda a su cuenta myQ.

CAPACIDAD DE MEMORIA

ACCESORIOS SECURITY+ 2.0	CAPACIDAD DE MEMORIA
Controles remotos	Hasta 40
Controles de la puerta	Hasta 2 paneles de control inteligentes o 4 de cualquier otro control de puerta Security+ 2.0
Ingresos sin llave	Hasta 4
Accesorios myQ	Hasta 16

EL PROTECTOR SYSTEM (SENSORES DE INVERSIÓN DE SEGURIDAD)

Cuando estén conectados y alineados correctamente, los sensores de inversión de seguridad detectarán una obstrucción en el camino del haz infrarrojo. Si una obstrucción interrumpe el haz infrarrojo mientras la puerta se cierra, esta se detendrá y retrocederá hasta la posición de apertura total. Si la puerta está completamente abierta y los sensores de inversión de seguridad no están instalados o están desalineados, la puerta no se cerrará con un control remoto. Sin embargo, puede cerrar la puerta si mantiene presionado el botón en el control de la puerta o entrada sin llave hasta que la puerta quede completamente cerrada. Los sensores de inversión de seguridad no afectan el ciclo de apertura. Para obtener más información, consulte la página 22.

LUCES

La luz del abrepuertas de garaje se encenderá cuando el abrepuertas esté inicialmente enchufado, se restaure la alimentación después de la interrupción o cuando se active el abrepuertas de garaje. La luz se apagará automáticamente después de 4-1/2 minutos.

USO DE SU ABREPUERTAS DE GARAJE

El abrepuertas de garaje puede activarse por medio de un control montado en la pared, control remoto, entrada inalámbrica sin llave o accesorio myQ. Cuando la puerta está cerrada y el abrepuertas de garaje está activado, se abrirá la puerta. Si la puerta entra en contacto con una obstrucción o su movimiento se interrumpe durante la apertura, la puerta se detendrá, el abrepuertas emitirá un pitido y las luces parpadearán 5 veces. Cuando la puerta está en cualquier posición diferente de la posición cerrada y el abrepuertas de garaje está activado, se cerrará la puerta. Si el abrepuertas de garaje entra en contacto con un obstáculo mientras se cierra, la puerta dará marcha atrás. Sin embargo, puede cerrar la puerta si mantiene el botón en el control de la puerta o el teclado numérico inalámbrico hasta que la puerta quede completamente cerrada. Los sensores de inversión de seguridad no afectan el ciclo de apertura. El sensor de inversión de seguridad debe estar conectado y alineado correctamente antes de que el abrepuertas de garaje pueda moverse en la dirección de bajada.

BATERÍA DE RESPALDO

El sistema de batería de respaldo permite la entrada y salida de su garaje, incluso cuando no haya energía. Cuando el abrepuertas de garaje funciona con batería, el abrepuertas de garaje funcionará más lento, la luz no funcionará, el LED de estado de la batería se iluminará en color naranja fijo y sonará un pitido aproximadamente cada 2 segundos.

Funcionamiento

Conexión con su smartphone

El abrepuertas de garaje con Wi-Fi es compatible con hasta 16 accesorios habilitados para myQ. Se pueden emparejar hasta 10 dispositivos con la pasarela interna del abrepuertas de garaje con Wi-Fi. Estos dispositivos se pueden controlar con la aplicación myQ. Estos dispositivos incluyen cualquier combinación de abrepuertas de garaje myQ, abrepuertas de garaje Wi-Fi, controles de luz myQ, operadores de puerta myQ u operadores de puertas comerciales myQ. Se puede agregar una pasarela Internet Gateway de LiftMaster (828LM) si necesita controlar más de 10 dispositivos con la aplicación myQ. Se pueden emparejar hasta 6 dispositivos al abrepuertas de garaje mismo (controlados mediante el abrepuertas de garaje a 900 MHz). Estos dispositivos incluyen cualquier combinación de controles de luz myQ o un monitor de puerta y compuerta de garaje.

Necesitará:

- Wi-Fi habilitado en un smartphone, una tableta o una computadora portátil
- Conexión a Internet de banda ancha
- Señal Wi-Fi en el garaje (**se requiere 2.4 GHz, 802.11b/g/n**) (consulte la página 3)
- Contraseña para su internet doméstica (la cuenta principal del enrutador, no la red de invitados)
- Número de serie de myQ ubicado en el abrepuertas de garaje

SINCRONIZAR EL CONTROL DE LA PUERTA

Para sincronizar el control de la puerta con el abrepuertas de garaje, presione la barra de empuje hasta que el abrepuertas de garaje se active (puede requerir presionarlo 3 veces). El abrepuertas de garaje debe funcionar durante un ciclo completo para poder activar la programación Wi-Fi.

DESCARGUE LA APLICACIÓN myQ PARA CREAR UNA CUENTA Y CONECTARSE

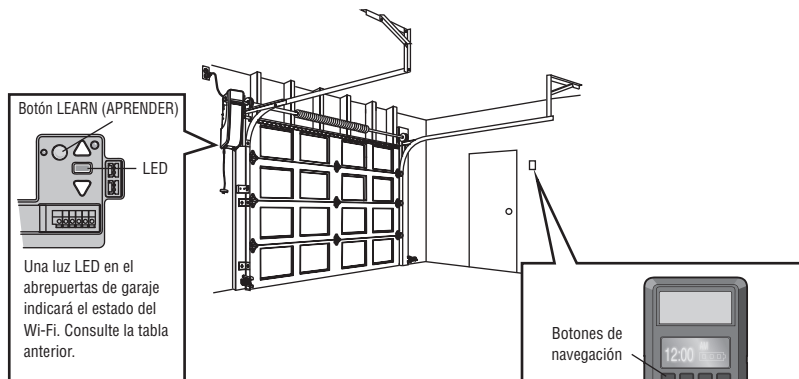
Abra y cierre su puerta, reciba alertas y establezca horarios desde cualquier lugar. Los abrepuertas de garaje inteligentes conectados también reciben actualizaciones de software para garantizar que tengan las funciones más recientes.

1. Descargue la aplicación myQ.
2. Cree una cuenta y conéctese.

Para obtener más información sobre la conexión de su abrepuertas de garaje.

Visite LiftMaster.com/Customer-Support.

Estado del Wi-Fi	
LED	Definición
Azul	Apagado: el Wi-Fi no está encendido. Parpadeante: el abrepuertas de garaje está en el modo learn (aprender) del Wi-Fi. Constante: dispositivo móvil conectado al abrepuertas de garaje.
Azul y verde	Parpadeante: intentando conectarse al enrutador.
Verde	Parpadeante: intentando conectarse al servidor de Internet. Constante: se configuró el Wi-Fi y el abrepuertas de garaje está conectado a Internet.



NOTAS:

El myQ Smartphone Control NO funcionará si el abrepuertas de garaje está funcionando con la energía de la batería.

Para borrar los ajustes de Wi-Fi, consulte la página 30.

Si necesita ayuda para añadir dispositivos a su cuenta myQ, o para obtener más información, visite LiftMaster.com/Customer-Support.

Para evitar que la pantalla LCD del panel de control inteligente muestre "CONNECT myQ APP":

En el panel Smart Control Panel®, presione MENU (MENÚ), seleccione PROGRAM (PROGRAMAR) y presione , presione BACK (VOLVER) y, a continuación, presione EXIT (SALIR) para volver a la pantalla principal.

Funcionamiento

Uso del control de la puerta

SINCRONIZAR EL CONTROL DE LA PUERTA:

Para sincronizar el control de la puerta con el abrepuertas de garaje, presione la barra de empuje hasta que el abrepuertas de garaje se active (es posible que deba presionarla 3 veces). Pruebe el control de la puerta presionando la barra de empuje; cada vez que presione la barra de empuje se activará el abrepuertas de garaje.

Se pueden conectar hasta 2 paneles de control inteligentes o 4 de cualquier otro panel de control Security+ 2.0 al abrepuertas de garaje.

BARRA DE EMPUJE:

Presione la barra de empuje para abrir o cerrar la puerta.

BOTONES DE NAVEGACIÓN:

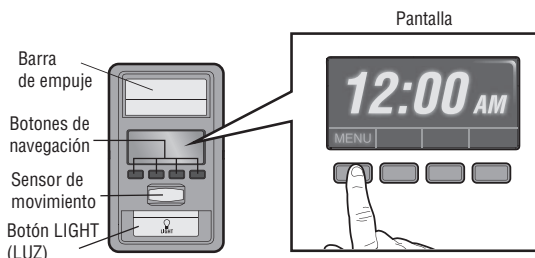
Use los botones de navegación para seleccionar y programar.

BOTÓN LIGHT (LUZ):

Presione este botón para encender o apagar las luces del abrepuertas de garaje. Cuando se encienden las luces, permanecerán encendidas hasta que se vuelva a presionar el botón LIGHT (LUZ), o hasta que se active el abrepuertas de garaje. Una vez activado el abrepuertas de garaje, las luces se apagarán después de un período de tiempo especificado (el ajuste de fábrica es de 4-1/2 minutos). El botón LIGHT (LUZ) no controlará las luces cuando la puerta esté en movimiento.

PANTALLA:

La pantalla mostrará la hora y la temperatura hasta que se presione el botón de menú y, luego, mostrará las opciones del menú. Si hay un problema con el abrepuertas de garaje, la pantalla mostrará el código de diagnóstico. Consulte la sección Solución de problemas.



Se puede acceder a las siguientes funciones a través de la pantalla mediante los botones de navegación:

APRENDER UN DISPOSITIVO:

Cualquier control remoto compatible, entrada inalámbrica sin llave, abrepuertas de garaje Wi-Fi o accesorios myQ pueden programarse en el abrepuertas de garaje accediendo al menú y utilizando los botones de navegación.

TRABA:

La función LOCK (TRABA) está diseñada para evitar la activación del abrepuertas de garaje desde los controles remotos y, al mismo tiempo, permitir la activación desde el panel de control y la entrada inalámbrica sin llave. Esta función es útil para una mayor tranquilidad cuando la casa está vacía (por ejemplo, en vacaciones).

TEMPORIZADOR DE CIERRE (TTC):

NO habilite el TTC si opera una puerta de una sola pieza. El TTC se usa SOLO con las puertas seccionales. El valor por defecto de fábrica está desactivado. El TTC se puede configurar para cerrar automáticamente la puerta de su garaje desde la posición de apertura total después de un período de tiempo específico (intervalos de 1, 5, 10 minutos o una configuración personalizada de hasta 99 minutos). El abrepuertas de garaje emitirá un pitido y las luces parpadearán antes de cerrar la puerta. En la pantalla del control de la puerta se puede mostrar el estado del TTC. El TTC NO funcionará si el abrepuertas de garaje está operando con batería o si los sensores de inversión de seguridad están desalineados. Esta función NO está destinada a ser el método principal para cerrar la puerta. **Debe instalarse una entrada sin llave en caso de bloqueo accidental cuando se utilice esta función.** La luz LED remota myQ debe instalarse para utilizar el TTC o myQ para controlar la puerta.

NOTA: Antes de activar el TTC por primera vez, o si experimenta un corte de energía, abra y cierre el abrepuertas de garaje para permitir que el TTC se configure.

LUZ AUTOMÁTICA

Sensor de movimiento:

El valor por defecto de fábrica es activado. Esta función enciende automáticamente las luces del abrepuertas de garaje cuando se detecta movimiento. Las luces se encenderán durante el período de tiempo establecido y luego se apagarán. Si usa la luz del abrepuertas de garaje como luz de trabajo, desactive el sensor de movimiento; de lo contrario, la luz se apagará automáticamente si se encuentra fuera del alcance del sensor.

ALERTA DE MANTENIMIENTO (MAS):

Esta característica ayuda al propietario a garantizar que el sistema del abrepuertas del garaje se mantenga en buenas condiciones de funcionamiento. Cuando el abrepuertas de garaje necesite mantenimiento (aproximadamente 4500 ciclos de apertura), los LED de comando (amarillo) y de servicio (rojo) comenzarán a parpadear de forma alternada. De fábrica, el ajuste de la función MAS está desactivado y se puede activar al momento de la instalación. Comuníquese con el proveedor de la instalación para el mantenimiento.

Funcionamiento

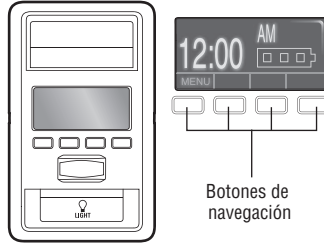
CONFIGURACIÓN

Las funciones del control de la puerta se pueden programar por medio de una serie de menús en la pantalla y de los botones de navegación.

Consulte las descripciones siguientes.

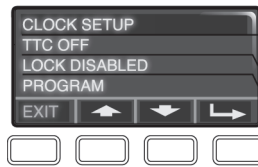
PANTALLA:

La pantalla principal muestra la hora, la temperatura y la carga actual de la batería (si corresponde).



FUNCIONES:

Presione el botón de navegación debajo de "MENU" (MENÚ) para ver el menú Funciones.



Configura la hora, elige el reloj de 12 o 24 horas y muestra u oculta el reloj.

SOLO para puertas seccionales. Configura la función de activar/desactivar el temporizador para cerrar y ajusta el intervalo de tiempo antes de cerrar la puerta. NOTA: NO active TTC en una puerta de una pieza. El TTC se usa SOLO con las puertas seccionales.

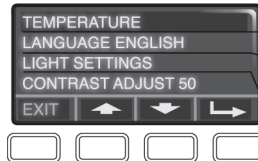
Activa o desactiva la cerradura.

Configurar el Wi-Fi*, agregar controles remotos, dispositivos myQ, un botón de control remoto adicional para controlar las luces del abrepuertas de garaje, o una entrada inalámbrica sin llave.

*El abrepuertas de garaje debe funcionar durante un ciclo completo para poder activar la programación Wi-Fi. Para obtener ayuda relacionada con el Wi-Fi, visite WiFiHelp.LiftMaster.com.

AJUSTES:

Presione el botón de navegación debajo de la flecha hacia abajo hasta que vea TEMPERATURE (TEMPERATURA) para ver el menú Ajustes.



Muestra la temperatura en grados Fahrenheit o Celsius y muestra/oculta la temperatura.

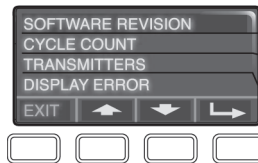
Selecciona el idioma.

Configura el tiempo que la luz del abrepuertas de garaje permanecerá encendida después del funcionamiento: rango seleccionable de 1-1/2 a 4-1/2 minutos. Activa o desactiva el sensor de movimiento y la función de la luz.

Ajusta el contraste de la pantalla.

SERVICIO:

Presione y mantenga presionado el botón LIGHT (LUZ), luego presione el segundo botón de navegación para ver el menú de Servicio.



Muestra información sobre la versión del software.

Activa o desactiva la Alerta de mantenimiento (MAS).

Muestra el número de controles remotos, los dispositivos myQ, controles de puerta y entradas inalámbricas sin llave actualmente programadas para operar el abrepuertas de garaje.

Muestra todos los errores que ocurrieron.

Para programar un control remoto o una entrada sin llave al abrepuertas del garaje utilizando el control de la puerta, consulte la página 29.

Programación

Control remoto 893MAX

El control remoto ya se programó en la fábrica para que funcione con su abrepuertas de garaje. Si el control remoto no funciona o desea programar dispositivos adicionales, siga los pasos de programación indicados a continuación.

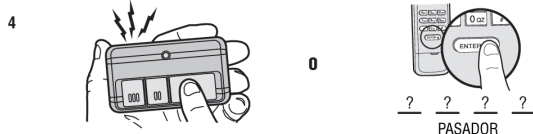
Se pueden programar hasta 40 controles remotos Security+ 2.0 al abrepuertas de garaje. Los modelos más antiguos de controles remotos de LiftMaster NO son compatibles, consulte la página 38 para conocer los accesorios compatibles. La programación se puede realizar a través del control de la puerta o el botón learn (aprender) del abrepuertas de garaje. Para programar accesorios adicionales, consulte las instrucciones provistas con el accesorio o visite LiftMaster.com. Si su vehículo está equipado con Homelink, tal vez requiera un adaptador externo, en función de la marca, el modelo y el año de su vehículo. Visite www.homelink.com para obtener más información.

PARA AÑADIR, REPROGRAMAR O CAMBIAR UN PIN DE CONTROL REMOTO 893MAX/877LM DE ENTRADA SIN LLAVE UTILIZANDO EL CONTROL DE LA PUERTA

1. Presione el botón de navegación debajo de "MENU" (MENÚ) para ver el menú Features (Funciones).
2. Use los botones de navegación para desplazarse a "PROGRAM" (PROGRAMAR).
3. Seleccione "REMOTE" (CONTROL REMOTO) o "KEYPAD" (TECLADO NUMÉRICO) para programar desde el menú de programa.
4. **Control remoto:** Presione el botón del control remoto con el que desee operar su puerta de garaje.

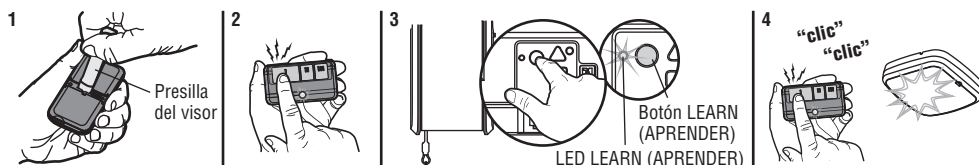
Entrada sin llave: Introduzca un número de identificación personal (PIN) de 4 dígitos de su elección en el teclado numérico de entrada sin llave. Luego, presione el botón ENTER (ENTRAR).

Parpadearán las luces del abrepuertas de garaje (o se oírán dos chasquidos) cuando se haya programado el código. Repita los pasos anteriores para programar controles remotos o dispositivos de entrada inalámbrica sin llave adicionales. Si la programación no tiene éxito, programe el control remoto usando el botón Learn (Aprender).



PROGRAMAR UN CONTROL REMOTO 893MAX CON EL BOTÓN DE APRENDIZAJE DEL ABREPUERTAS DE GARAJE

1. Mantenga presionado el botón de programación del control remoto hasta que el LED de la parte frontal se encienda.
2. Presione y suelte el botón del control remoto que desee utilizar y, luego, presione cualquier otro botón para salir de la programación.
3. Mantenga presionado el botón Learn (Aprender) en el abrepuertas de garaje. El LED Learn (Aprender) se encenderá. En un plazo de 30 segundos...
4. Presione el botón del control remoto programado en el paso 2 hasta que la luz del abrepuertas de garaje parpadee o se escuchen dos clics.



Para programar otros tipos de controles remotos o entradas sin llave, consulte las instrucciones incluidas con el dispositivo o visite LiftMaster.com/Customer-Support.

Programación

Programar la luz LED remota myQ

La luz remota de su abrepuertas de garaje ya ha sido programada en la fábrica para que funcione con su abrepuertas. Será necesario programar cualquier luz remota adicional o de reemplazo.

PROGRAMAR UN ABREPUERTAS A LA LUZ LED REMOTA myQ

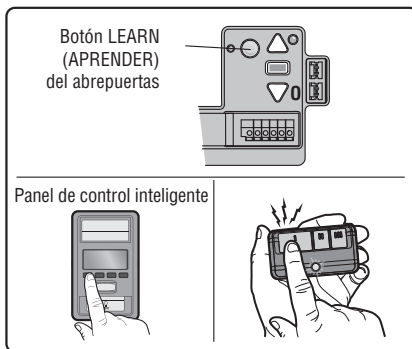
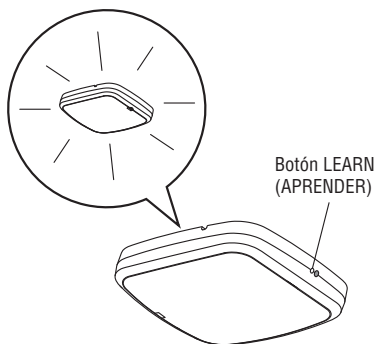
1. Presione el botón LEARN (APRENDER) en la luz hasta que el LED verde se encienda.
2. Pulse el botón LEARN (APRENDER) del abrepuertas. **O BIEN**, En el Smart Control Panel[®], vaya a Menu (Menú) > Program (Programar) >myQ Accessory (Accesorio myQ).
3. El código estará programado cuando la luz remota parpadee una vez.

AÑADIR LA LUZ LED REMOTA myQ A LA CUENTA myQ

1. Presione el botón LEARN (APRENDER) en la luz hasta que el LED verde se encienda.
2. Ingrese a la aplicación myQ y añada la luz LED remota myQ.

PARA BORRAR TODA LA PROGRAMACIÓN DE LA LUZ LED REMOTA myQ

1. Mantenga presionado el botón LEARN (APRENDER) hasta que se apague el LED (6-10 segundos). Se borró toda la programación.



Cómo borrar la memoria

CÓMO BORRAR TODOS LOS CONTROLES REMOTOS Y ENTRADAS SIN LLAVE

1. Mantenga presionado el botón LEARN (APRENDER) en el abrepuertas de garaje hasta que se apague el LED Learn (Aprender) (aproximadamente 6 segundos). Todos los códigos del control remoto y de entrada sin llave ahora están borrados. Vuelva a programar cualquier accesorio compatible que desee utilizar.

CÓMO BORRAR TODOS LOS DISPOSITIVOS (incluidos los accesorios compatibles con myQ)

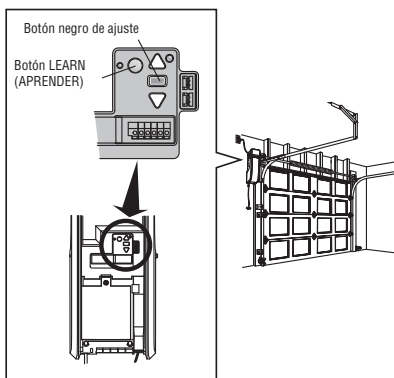
1. Mantenga presionado el botón LEARN (APRENDER) en el abrepuertas de garaje hasta que se apague el LED Learn (Aprender) (aproximadamente 6 segundos).
2. Inmediatamente mantenga presionado el botón LEARN (APRENDER) una vez más hasta que se apague el LED de calibrar. Todos los códigos ahora están borrados. Vuelva a programar cualquier accesorio compatible que desee utilizar.

CÓMO BORRAR LA RED WI-FI DEL ABREPUERTAS DE GARAJE

1. Mantenga presionado el botón negro de ajuste en el abrepuertas de garaje hasta que oiga 3 pitidos (aproximadamente 6 segundos).

CÓMO BORRAR UNA CUENTA myQ

Vaya a myLiftMaster.com/Customer-Support para borrar su cuenta myQ.



Programación

HomeLink®

En el raro caso de que el sistema HomeLink no se programe con el abrepuertas de garaje Security + 2.0, usted debe instalar un kit repetidor. Consulte las instrucciones de HomeLink a continuación.

HomeLink es el sistema integrado en el vehículo. La imagen utilizada es de referencia solamente y su producto podría tener una apariencia diferente.

CUÁNDO INSTALAR UN KIT REPETIDOR HOMELINK

Todos los vehículos del 2006 y anteriores: se requiere un kit repetidor que el propietario debe comprar.

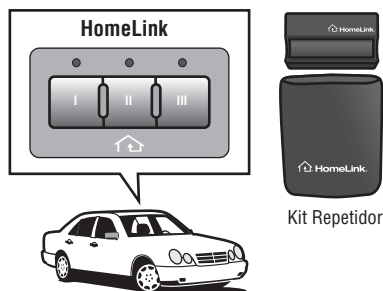
Todos los vehículos del 2007 y posteriores: programe el sistema HomeLink de acuerdo con las instrucciones del vehículo. Si después de intentar programar UNA vez el sistema HomeLink para el abrepuertas de garaje usted no tuvo éxito, entonces debe instalar un repetidor.

CÓMO ORDENAR

Solicite el kit repetidor HomeLink a un instalador o llame al 1-800-355-3515. Para programar el kit repetidor HomeLink, consulte las instrucciones proporcionadas en el kit o visite <http://www.homelink.com/program>.

DATOS BÁSICOS SOBRE EL AJUSTE

- Solo se requiere un kit repetidor por hogar.
- Utilice diferentes botones de HomeLink en el vehículo si programa varios automóviles; botón 1 para el primer automóvil, botón 2 para el segundo, etc.
- El control remoto HomeLink NO es un abrepuertas de garaje.
- Si está utilizando el repetidor HomeLink con un abrepuertas de garaje que tiene un sistema de batería de respaldo, asegúrese de que el control remoto original del abrepuertas de garaje esté programado para el abrepuertas de garaje y colóquelo en su guantera para usarlo en caso de un corte de la corriente eléctrica.
- El control remoto incluido en este kit repetidor DEBE conservarse para una programación futura (vehículo nuevo, abrepuertas de garaje nuevo, etc.).



Mantenimiento

Cuidados de su abrepuertas de garaje

PROGRAMA DE MANTENIMIENTO

MENSUAL

- Opere la puerta manualmente. Si no está balanceada o está atascada, llame a un técnico capacitado en sistemas de puertas.
- Verifique que la puerta se abra y cierre completamente. Ajuste los límites si es necesario (consulte el paso 1 de Ajuste).
- Repita la prueba de inversión de seguridad. Realice los ajustes necesarios (consulte el paso 2 de Ajuste).

ANUAL

- Engrase los rodillos, los cojinetes y las bisagras de las puertas. El abrepuertas de garaje no requiere lubricación adicional. No engrase las guías de la puerta.

Luz LED remota myQ

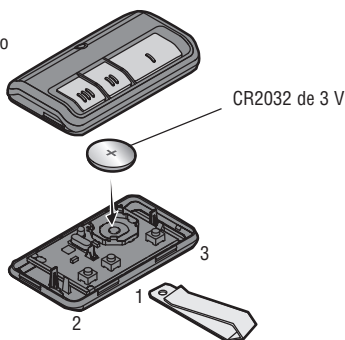
- Desenchufe la luz antes de limpiar.
- Utilice un paño ligeramente humedecido para limpiar.
- NO utilice limpiadores líquidos en la lente de luz.

BATERÍA DEL CONTROL REMOTO

Los LED del control remoto dejarán de parpadear cuando la batería esté baja y deba reemplazarse. Para reemplazar la batería, abra la caja como se muestra. Inserte la batería con el lado positivo (+) para arriba.

Reemplace la batería con baterías de botón CR2032 de 3 V solamente. Deseche la batería agotada correctamente.

Haga palanca en el medio primero para abrir la caja (1), luego en cada lado (2 y 3) con la presilla de la visera.



⚠ ADVERTENCIA

Para evitar posibles LESIONES GRAVES o la MUERTE:

- NUNCA permita que los niños pequeños se acerquen a las baterías.
- Si alguien ingiere una batería, llame inmediatamente al médico.

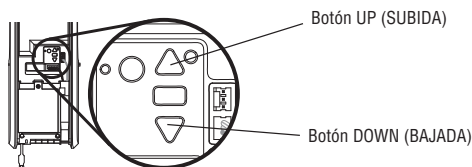
Para reducir el riesgo de incendio, explosión o quemaduras químicas:

- Reemplace ÚNICAMENTE con baterías de botón CR2032 de 3 V.
- NO recargue, desmonte, caliente por encima de 212 °F (100 °C) ni incinere.

Resolución de problemas

Tabla de diagnóstico

Su abrepuertas de garaje está programado con funciones de autodiagnóstico. Las flechas UP (SUBIDA) y DOWN (BAJADA) en el abrepuertas de garaje parpadearán los códigos de diagnóstico.



CÓDIGO DE DIAGNÓSTICO	SÍNTOMA	SOLUCIÓN
La flecha Up (Subida) parpadea	La flecha Down (Bajada) parpadea	
1	1	El abrepuertas de garaje no se cerrará. Los sensores de seguridad no están instalados, conectados o los cables podrían estar cortados. Inspeccione los cables del sensor en busca de un cable desconectado o cortado.
1	2	El abrepuertas de garaje no se cerrará. Hay un cable en cortocircuito o invertido en los sensores de seguridad. Inspeccione el cable del sensor de seguridad en todos los puntos de conexión y grapas y sustituya el cable o corrijalo según sea necesario.
1	3	El control de la puerta no funcionará. Los cables del control de la puerta están en cortocircuito o el control de la puerta está averiado. Inspeccione los cables de control de la puerta en todos los puntos de conexión y grapas y reemplace el cable o corrijalo según sea necesario.
1	4	El abrepuertas de garaje no se cerrará, y las luces parpadearán. Los sensores de seguridad no están alineados o tuvieron una obstrucción momentánea. Vuelva a alinear ambos sensores hasta que ambos LED estén encendidos fijos y no parpadeando. Asegúrese de que nada cuelgue ni esté montado sobre la puerta que pueda interrumpir el camino de los sensores mientras se cierra.
1	5	La puerta se mueve 6-8" (15-20 cm) y se detiene o retrocede. Abra y cierre la puerta manualmente. Verifique si se atora o hay obstrucciones, como un resorte roto o una traba de la puerta, y corrija según corresponda. Verifique las conexiones de cableado en el módulo de desplazamiento y en la tarjeta lógica. Reemplace el módulo de desplazamiento de ser necesario. No hay movimiento, solo se oye un clic. Abra y cierre la puerta manualmente. Verifique si se atora o hay obstrucciones, como un resorte roto o una traba de la puerta, y corrija según corresponda. Reemplace la tarjeta lógica de ser necesario. El abrepuertas emite un ruido por 1-2 segundos y no se mueve. Abra y cierre la puerta manualmente. Verifique si se atora o hay obstrucciones, como un resorte roto o una traba de la puerta, y corrija según corresponda. Reemplace el motor de ser necesario.
1	6	La puerta rueda después de detenerse por completo. Programa el recorrido hasta la posición en la que rueda o haga que un técnico capacitado balancee la puerta.
2	1-5	No hay movimiento ni sonido. Reemplace la tarjeta lógica.
3	1	El abrepuertas de garaje se mueve ligeramente y, luego, se detiene. Vuelva a activar el abrepuertas de garaje. Si el problema persiste, reemplace la tarjeta lógica.
3	3	El LED de estado de la batería está parpadeando constantemente en verde. Error en el circuito de carga de la batería de respaldo, reemplace la tarjeta lógica.
3	5	La puerta del garaje no se cierra. La puerta retrocede solo en el sentido de cierre. <ul style="list-style-type: none"> • Compruebe que el CTM Learn sea adecuado para la instalación. • Compruebe si hay posibles obstrucciones en la puerta y quítelas. • Sustituya los CTM defectuosos por CTM en buen estado para borrar el código de error (consulte el accesorio CTM opcional).
4	1-4	La puerta se mueve, se detiene o retrocede. El abrepuertas emite un pitido, y las luces parpadean. Abra y cierre la puerta manualmente. Verifique si se atora o hay obstrucciones, como un resorte roto o una traba de la puerta, y corrija según corresponda. Si la puerta se atasca o adhiere, llame a un técnico capacitado en sistemas de puertas. Si la puerta no se atasca ni traba, intente reprogramar el recorrido.
4	5	La puerta se mueve 6-8" (15-20 cm) y se detiene o retrocede. Error de comunicación en el módulo de desplazamiento. Verifique las conexiones del módulo de desplazamiento y reemplácelo de ser necesario.
4	6	El abrepuertas de garaje no se cerrará, y las luces parpadearán. Los sensores de seguridad no están alineados o tuvieron una obstrucción momentánea. Vuelva a alinear ambos sensores hasta que ambos LED estén encendidos fijos y no parpadeando. Asegúrese de que nada cuelgue ni esté montado sobre la puerta que pueda interrumpir el camino de los sensores mientras se cierra.
5	5	La puerta no se cerrará con el Temporizador de cierre o el Control por smartphone myQ. La luz LED remota myQ debe estar instalada para utilizar el TTC o myQ para controlar la puerta. Enchufe la luz LED remota myQ y asegúrese de que esté programada para el abrepuertas de garaje.

Resolución de problemas

Resolución de problemas adicionales

El abrepuertas de garaje no funciona ni con el control de la puerta ni con el control remoto:

- ¿Tiene energía eléctrica el abrepuertas de garaje? Enchufe una lámpara en el tomacorriente. Si no se enciende, revise la caja de fusibles o el disyuntor. (Algunos enchufes están controlados por un interruptor de pared).
- ¿Desactivó todas las trabas de la puerta? Revise las advertencias de las instrucciones de instalación en la página 8.
- ¿Las conexiones de cableado son correctas? Revise el paso 5 de Instalación.
- ¿Hay acumulación de hielo o nieve debajo de la puerta? La puerta puede estar congelada pegada al suelo. Elimine cualquier restricción.
- El resorte de la puerta del garaje puede estar roto. Reemplácelo (consulte la página 3 como referencia).

El abrepuertas funciona con la estación de control con un solo botón, pero no desde un control remoto:

- Vuelva a programar el control remoto y reemplace la batería en caso de ser necesario. Repita esto con todos los controles remotos.

La puerta se abre y cierra por sí sola:

- Asegúrese de que todos los botones pulsadores de control estén apagados.
- Quite el cable de dos conductores de las terminales de la estación de control de un solo botón y opere exclusivamente desde el control remoto. Si esto resuelve el problema, la estación de control de un solo botón está defectuosa o hay un cortocircuito intermitente en el cable. Reemplace la estación de control.
- Borre la memoria y re programe todos los controles remotos (consulte las instrucciones provistas con el control remoto o visite LiftMaster.com/Customer-Support).

Mi control remoto no activa la puerta del garaje:

- Verifique que la función de bloqueo no esté activada en el control de la puerta.
- Vuelva a programar el control remoto.
- Si el control remoto aún no activa la puerta, verifique los códigos de diagnóstico para asegurarse de que el abrepuertas de garaje esté funcionando correctamente.

El control remoto tiene poco alcance:

- Cambie la ubicación del control remoto en su automóvil.
- Algunas instalaciones pueden tener un alcance más corto debido a una puerta de metal, aislamiento con parte trasera de papel de aluminio o revestimiento de metal del garaje.

La puerta se detiene o retrocede hasta el límite de apertura y el abridor emite un pitido y las luces parpadean 5 veces:

- ¿Hay algo que obstruya la puerta? ¿No está balanceada o están rotos los resortes? Elimine la obstrucción o llame a un técnico capacitado en sistemas de puertas para reparar la puerta.

La puerta no se abre completamente:

- Revise la traba eléctrica de la puerta.

La puerta se abre pero no se cierra:

- El sensor de inversión de seguridad debe estar conectado y alineado correctamente antes de que el abrepuertas de garaje se mueva hacia abajo. Si puede cerrar la puerta con presión constante, verifique que los sensores de inversión de seguridad estén correctamente instalados, alineados y libres de obstrucciones (consulte la página 13).

La puerta invierte su movimiento por ningún motivo aparente:

- Quite el hielo o la nieve del área del piso del garaje donde se cierra la puerta.
- Repase el paso 1 de Ajuste.

Repita la prueba de inversión de seguridad después de los ajustes.

Mi puerta no se cierra:

- El sensor de inversión de seguridad debe estar conectado y alineado correctamente antes de que el abrepuertas de garaje se mueva hacia abajo.
 - Verifique que los sensores de inversión de seguridad estén correctamente instalados, alineados y sin obstrucciones.

El abrepuertas de garaje se esfuerza por accionar la puerta:

- La puerta puede no estar balanceada o los resortes pueden estar rotos. Cierre la puerta y use la manija de liberación de emergencia para desconectar la puerta. Abra y cierre la puerta manualmente. Una puerta debidamente equilibrada permanecerá en cualquier punto de su recorrido mientras sus resortes la apoyen completamente. Si no es así, desconecte el abrepuertas de garaje y llame a un técnico capacitado en sistemas de puertas.

El motor del abrepuertas de garaje hace un sonido brevemente, luego no funciona:

- Los resortes de la puerta del garaje pueden estar rotos. Ver arriba.
- Si el problema ocurre en la primera operación del abrepuertas de garaje, es posible que la puerta esté bloqueada. Desactive la traba eléctrica de la puerta.

El abrepuertas de garaje no funcionará debido a un corte de la energía eléctrica:

- Abra manualmente la traba eléctrica de la puerta.

Resolución de problemas

Resolución de problemas adicionales (continuación)

- Utilice la manija de liberación de emergencia para desconectar la puerta. La puerta se puede abrir y cerrar manualmente. Cuando se restablezca la energía eléctrica, tire de la manija de liberación manual por segunda vez.
- Cuando está en modo de respaldo de batería, el abrepuertas debería poder funcionar hasta 20 veces.
- Desactive cualquier traba de la puerta. Utilice la manija de desbloqueo de emergencia para desconectar la puerta. La puerta se puede abrir y cerrar manualmente. Cuando se restablezca la energía eléctrica, tire de la manija de liberación manual por segunda vez.
- Al estar en el modo de batería de respaldo, la potencia de la batería durará hasta 30 horas o hasta 20 ciclos durante un período de 24 horas.

La puerta pierde sus límites:

- El collarín no está bien apretado. Apriete el collarín y vuelva a programar los límites (consulte el paso 1 de Ajuste).

El abrepuertas de garaje se mueve cuando la puerta está en funcionamiento:

- Un pequeño movimiento es normal para este producto. Si es excesivo, el collarín se desgastará prematuramente.
- Verifique para asegurarse de que la barra de torsión no se mueva excesivamente hacia la izquierda o la derecha.
- Verifique que la barra de torsión no se mueva visiblemente hacia arriba y hacia abajo mientras gira.
- Verifique que el abridor esté montado en ángulo recto con el eje. Si no es así, mueva la posición del soporte de montaje.

El conector de la traba automática de la puerta no se adapta al enchufe del abrepuertas:

Los modelos más antiguos de trabas de puerta de 24 V son incompatibles. Use la traba automática de la puerta modelo 841LM. Consulte Accesorios en la página 37.

La traba automática de la puerta del garaje no se activa cuando esta se abre o se cierra:

En el modo de batería de respaldo, la traba automática de la puerta del garaje se desbloqueará cuando se abra la puerta del garaje y permanecerá desactivada hasta que se restablezca la energía.

El abrepuertas emite un pitido:

- Indica un cierre no supervisado. El abrepuertas se activó mediante la aplicación myQ o el monitor de garaje y compuerta.
- Un LED naranja fijo con un pitido, que suena aproximadamente cada 2 segundos, indica que el abrepuertas funciona con la energía de la batería.
- Un LED naranja parpadeante con un pitido que suena cada 30 segundos, indica que la batería está en un nivel bajo.
- Un LED rojo fijo con un pitido que suena aproximadamente cada 30 segundos, indica que la batería de 12 V ya no puede retener carga y debe ser reemplazada.

La puerta del garaje emite un pitido y el LED rojo parpadea:

La carga de la batería es baja o la batería se agotó.

- Reemplace la batería.

El control por smartphone myQ, los dispositivos inalámbricos myQ y el Temporizador de cierre no funcionarán:

- Cuando esté en el modo de respaldo de la batería, el control por smartphone myQ, los dispositivos inalámbricos myQ y el Temporizador de cierre se desactivarán.
- Se debe instalar la luz LED remota myQ para habilitar el uso del Temporizador de cierre o el control por smartphone myQ de la puerta. Enchufe la luz LED remota myQ y asegúrese de que esté programada para el abrepuertas de garaje. La activación del Temporizador de cierre y del control por smartphone myQ puede tardar hasta 5 minutos.

La puerta se desplaza más rápido o más lento de lo esperado:

- Compruebe que el ajuste del tambor sea el adecuado siguiendo los pasos indicados en la página 19 del manual.

La velocidad de la puerta varía con el recorrido:

- Compruebe que el ajuste del tambor sea el adecuado siguiendo los pasos indicados en la página 19 del manual.

El cable se desenrolla al obstruirse cerca del límite superior

- Si el cable se desenrolla, póngase en contacto con un Distribuidor Profesional de Puertas para su reparación.

AVISO: Este dispositivo cumple con la parte 15 de las reglas de la FCC y de equipos RSS extintos de licencia de Innovation, Science and Economic Development Canada. El funcionamiento está sujeto a las siguientes dos condiciones: (1) este dispositivo no puede causar interferencia dañina, y (2) este dispositivo debe aceptar toda interferencia recibida, incluso la que puede causar un funcionamiento indeseado.

Los cambios o las modificaciones a esta unidad que no sean aprobados en forma expresa por la parte responsable del cumplimiento pueden invalidar el permiso del usuario para operar el equipo.

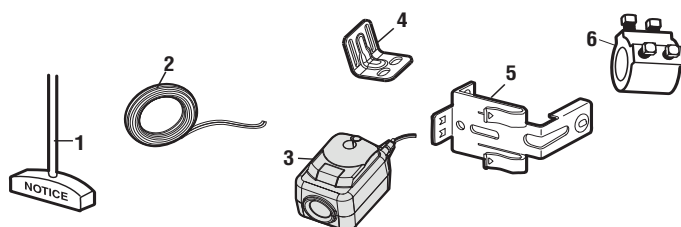
Este dispositivo debe instalarse para asegurarse de mantener una distancia mínima de 20 cm (8 pulg.) entre los usuarios/transeúntes y el dispositivo.

Este dispositivo se ha probado, y se ha hallado que cumple con los límites de un dispositivo digital de clase B, de acuerdo con la parte 15 de las reglas de la FCC y de la norma ICES de Industry Canada. Estos límites están diseñados para brindar una protección razonable contra la interferencia dañina en una instalación residencial. Este equipo genera, utiliza y puede emitir energía de radiofrecuencia y, si no se instala y utiliza de acuerdo con las instrucciones, puede causar interferencias perjudiciales en las radiocomunicaciones. Sin embargo, no existe garantía de que no ocurra interferencia en una instalación en particular. Si este equipo efectivamente causa interferencia dañina a la recepción de radio o televisión, lo cual puede determinarse apagando y encendiendo el equipo, se recomienda al usuario que trate de corregir la interferencia realizando uno o varios de los siguientes pasos:

- Cambiar de dirección o de lugar la antena receptora
- Aumentar la separación entre el equipo y el receptor
- Conectar el equipo en un tomacorriente en un circuito diferente de donde esté conectado el receptor
- Consultar al concesionario o a un técnico de radio/TV con experiencia para que le ayude

Piezas de repuesto

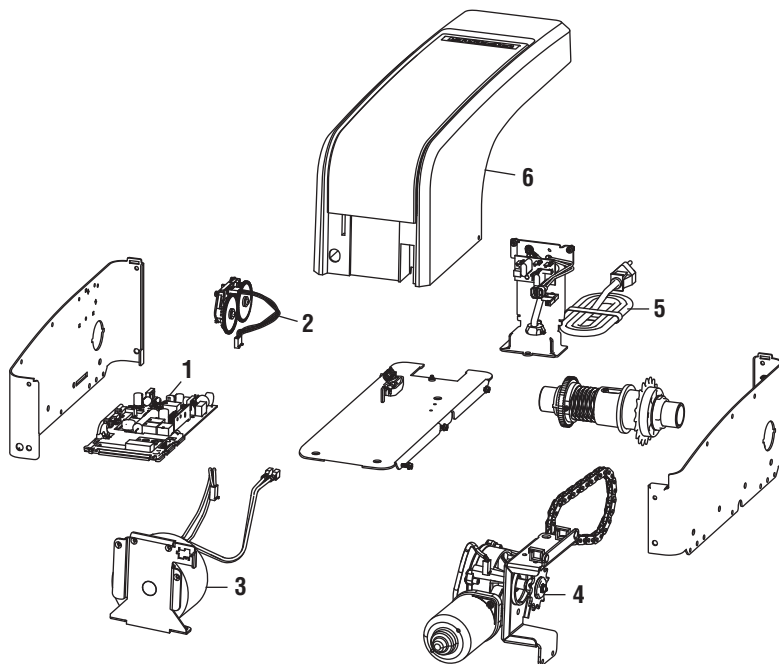
Piezas de instalación



N.º DE LEYENDA	N.º DE PIEZA	DESCRIPCIÓN	N.º DE LEYENDA	N.º DE PIEZA	DESCRIPCIÓN
1	041A4582	Conjunto de manija y soga de liberación de emergencia	4	041C0902	Soporte de montaje
2	041B4494-1	Cable para timbre de 2 conductores de color blanco y blanco/rojo	5	041-0155-000	Soportes del sensor de inversión de seguridad (2)
3	041-0136	Kit de sensores de inversión de seguridad (sensores receptor y emisor) con cable de timbre de 2 conductores conectado	6	041D8615	Collarín con tornillos de fijación
				114-5857-000	Guía del usuario
				114-5858-000	Guía de inicio rápido

Piezas de repuesto

Piezas de ensamblaje del abrepuertas de garaje



N.º DE LEYENDA	N.º DE PIEZA	DESCRIPCIÓN	N.º DE LEYENDA	N.º DE PIEZA	DESCRIPCIÓN
1	041DJ003MC	Tarjeta lógica	5	041D0190	Cable de alimentación
2	041B8861	Módulo de desplazamiento con arnés de cable	6	041-0407-000	Cubierta
3	041C0296	Transformador			NO SE MUESTRA
4	041D1624-2	Motor		041-0408-000	Puerta de la batería y puerta de la tarjeta lógica

Información de contacto

¡DETÉNGASE!

Este abrepuertas de garaje **NO FUNCIONARÁ** hasta que los sensores de inversión de seguridad estén bien instalados y alineados.

Envíe el pedido de piezas de repuesto a:

LiftMaster
6020 S. Country Club Rd.
Tucson, AZ 85706

Para obtener información de instalación y servicio, visítenos en línea en:

LiftMaster.com/Customer-Support

Antes de llamar, tenga a mano el número de modelo del abrepuertas de garaje. Si llama para resolver un problema, se recomienda que tenga acceso a su abrepuertas de garaje cuando llame. Si quiere pedir una pieza de repuesto, tenga a mano la información siguiente: número de pieza, nombre de la pieza y número de modelo.

Accesorios

ACCESORIOS MAX

Compatible con los abrepuertas de garaje LiftMaster fabricados desde 1993.

878MAX

Ingreso inalámbrico sin llave:

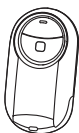
Para usar fuera de la casa a fin de permitir el acceso al garaje mediante un PIN de 4 dígitos.



374UT

Control remoto universal miniatura:

El control remoto universal miniatura se puede programar para activar hasta dos productos, como un abrepuertas de garaje, controles de luz myQ, un operador de puerta o un operador de puerta comercial.



893MAX

Control remoto MAX de 3 botones:

Incluye presilla de visera.



ACCESORIOS myQ

827LM

Luz LED remota myQ:

Luz inalámbrica que puede programarse al abrepuertas o a un control remoto.



ACCESORIOS ESTÁNDAR

885LM

Control de puertas inalámbrico Security+ 2.0:

Barra de empuje, función de luz y botón auxiliar. Incluye baterías.



891LM

Control remoto Security+ 2.0 de un solo botón:

Incluye presilla de visera.



893LM

Control remoto Security+ 2.0 de 3 botones:

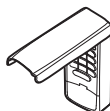
Incluye presilla de visera.



877LM

Ingreso inalámbrico sin llave:

Para usar fuera de la casa a fin de permitir el acceso al garaje mediante un PIN de 4 dígitos.



485LM

Batería de respaldo:

Brinda energía de respaldo al abrepuertas. La batería tiene suficiente potencia para 30 horas de potencia de respaldo o hasta 20 ciclos a lo largo de un período de 24 horas.



041A5281-1

Soportes de extensión:

(Opcional) Para la instalación de sensores de inversión de seguridad en la pared o el suelo.



480LM

Kit alternativo de montaje:

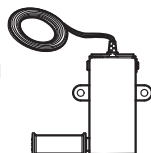
Este kit permite montar el modelo 8500WMC debajo de la barra de torsión en el caso en que la barra de torsión no sea redonda o el área de montaje normal esté obstruida.



041A6104

Monitor de tensión del cable:

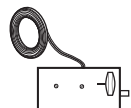
Monitor de tensión del cable con un cable de 33 pies (10 m).



841LM

Traba automática de la puerta:

La traba automática de la puerta se usa para evitar que se abra manualmente una vez que se cierre por completo.



GARANTÍA LIMITADA DE LIFTMASTER

LiftMaster ("Vendedor") le garantiza al primer comprador minorista de este producto, para la residencia en la que este producto se instaló originalmente, que no tendrá defectos en los materiales y/o mano de obra durante un período específico de tiempo como se define a continuación (el "Período de garantía"). El período de garantía comienza a partir de la fecha de compra.

PERÍODO DE GARANTÍA			
Piezas	Motor	Accesorios	Batería de respaldo
5 años	Toda la vida	1 año	1 año

El funcionamiento correcto de este producto depende del cumplimiento de las instrucciones relativas a la instalación, el funcionamiento, el mantenimiento y las pruebas. No cumplir estrictamente con esas instrucciones anulará en su totalidad a esta garantía limitada.

Si durante el período de garantía limitada, este producto parece tener un defecto que está cubierto por esta garantía limitada, llame a la línea gratuita 1-800-528-9131 antes de desmontar dicho producto. Se le informará sobre las instrucciones de desmontaje y envío cuando llame. Luego envíe el producto o componente, con envío prepago y asegurado como se le instruya, a nuestro centro de servicio para la reparación bajo garantía. Incluya una breve descripción del problema y un recibo de prueba de compra fechado con cualquier producto devuelto para su reparación bajo la garantía. Los productos devueltos al Vendedor para su reparación bajo la garantía, una vez que los reciba el Vendedor y se confirmen como defectuosos y cubiertos por esta garantía limitada, serán reparados o reemplazados (a elección exclusiva del Vendedor) sin costo para usted y devueltos con el envío prepago. Las piezas defectuosas serán reparadas o reemplazadas por piezas nuevas o reconstruidas en fábrica a discreción del Vendedor. [Usted es responsable de los costos incurridos al desinstalar y/o reinstalar el producto o cualquier componente.]

TODAS LAS GARANTÍAS IMPLÍCITAS PARA EL PRODUCTO, INCLUIDAS, PERO SIN LIMITARSE A, CUALQUIER GARANTÍA IMPLÍCITA DE COMERCIABILIDAD E IDONEIDAD PARA UN PROPÓSITO EN PARTICULAR, TIENEN UNA DURACIÓN QUE SE LIMITA AL PERÍODO DE GARANTÍA LIMITADA APLICABLE ESTABLECIDO ANTERIORMENTE PARA LOS COMPONENTES RELACIONADOS, Y NO EXISTIRÁ NI SE APLICARÁ NINGUNA GARANTÍA IMPLÍCITA DESPUÉS DE DICHO PERÍODO. Algunos estados y provincias no permiten limitaciones sobre la duración de una garantía implícita, por lo que es posible que la limitación anterior no sea aplicable en su caso. **ESTA GARANTÍA LIMITADA NO CUBRE LOS DAÑOS QUE NO SE DEBAN A DEFECTOS, LOS DAÑOS DEBIDOS A UNA INSTALACIÓN, FUNCIONAMIENTO O CUIDADO INADECUADOS (INCLUIDOS, PERO SIN LIMITARSE A, EL ABUSO, MAL USO, FALTA DEL MANTENIMIENTO RAZONABLE Y NECESARIO, LAS REPARACIONES NO AUTORIZADAS O CUALQUIER ALTERACIÓN DE ESTE PRODUCTO), LOS CARGOS POR REINSTALAR UNA UNIDAD REPARADA O REEMPLAZADA, EL REEMPLAZO DE ARTÍCULOS CONSUMIBLES (POR EJEMPLO, LAS BATERÍAS EN LOS TRANSMISORES DEL CONTROL REMOTO Y LAS BOMBILLAS), O LAS UNIDADES INSTALADAS PARA USO NO RESIDENCIAL. ESTA GARANTÍA LIMITADA NO CUBRE NINGÚN PROBLEMA CON, O RELACIONADO CON, LA PUERTA DEL GARAJE O EL HERRAJE DE LA PUERTA DEL GARAJE, INCLUIDOS, PERO SIN LIMITARSE A, LOS RESORTES DE LA PUERTA, LOS RODILLOS DE LA PUERTA, LA ALINEACIÓN DE LA PUERTA O LAS BISAGRAS. ESTA GARANTÍA LIMITADA TAMPOCO CUBRE NINGÚN PROBLEMA CAUSADO POR LAS INTERFERENCIAS. BAJO NINGUNA CIRCUNSTANCIA, EL VENDEDOR SERÁ RESPONSABLE DE DAÑOS CONSECUENTES, INCIDENTALES O ESPECIALES QUE SURJAN EN RELACIÓN CON EL USO O LA INCAPACIDAD DE USO DE ESTE PRODUCTO. EN NINGÚN CASO LA RESPONSABILIDAD DEL VENDEADOR POR EL INCUMPLIMIENTO DE LA GARANTÍA, EL INCUMPLIMIENTO DEL CONTRATO, LA NEGLIGENCIA O RESPONSABILIDAD ESTRICTA EXCEDERÁ EL COSTO DEL PRODUCTO CUBIERTO POR EL PRESENTE. NINGUNA PERSONA ESTÁ AUTORIZADA A ASUMIR POR NOSOTROS NINGUNA OTRA RESPONSABILIDAD EN RELACIÓN CON LA VENTA DE ESTE PRODUCTO.**

Algunos estados y provincias no permiten la exclusión o limitación de daños emergentes, incidentales o especiales, por lo que es posible que la limitación o exclusión anterior no sea aplicable en su caso. Esta garantía limitada le otorga derechos legales específicos, y también puede tener otros derechos, que varían de estado a estado y de provincia a provincia.

Guía de seguridad y mantenimiento del abrepuertas de garaje automático

Seguridad del abrepuertas de garaje: una solución automática

Una puerta de garaje es el objeto móvil más grande de la casa. Una puerta de garaje y un abrepuertas mal ajustados pueden ejercer una fuerza letal cuando la puerta se cierra, lo que podría provocar que niños o adultos queden atrapados y que se produzcan lesiones o la muerte.

La instalación, operación, mantenimiento y prueba adecuados de la puerta del garaje y el abrepuertas automático son necesarios para proporcionar un sistema seguro y sin problemas.

Un manejo descuidado o el hecho de permitir que los niños jueguen o utilicen los controles del abrepuertas de garaje son también situaciones peligrosas que pueden tener resultados trágicos. Algunas precauciones simples pueden proteger a su familia y amigos de posibles daños.

Lea atentamente los consejos de seguridad y mantenimiento de este folleto y consérvelo como referencia. Verifique el funcionamiento de la puerta y abrepuertas de su garaje para asegurarse de que funcionen de manera segura y sin problemas.

Asegúrese de leer toda la Información importante de seguridad que se encuentra en el manual del abrepuertas de garaje, ya que este proporciona más detalles y consideraciones de seguridad que los que se pueden proporcionar con este folleto.

Los abrepuertas de garaje no son juguetes

Hable con sus hijos sobre la seguridad de la puerta del garaje y del abrepuertas. Explique el peligro de quedar atrapado debajo de la puerta.



Manténgase alejado de una puerta en movimiento.



Mantenga los transmisores y controles remotos fuera del alcance de los niños. No permita que los niños jueguen o utilicen los transmisores u otros dispositivos de control remoto.



El botón pulsador montado en la pared debe estar fuera del alcance de los niños, al menos a 5 pies de la superficie de apoyo más cercana y lejos de todas las partes móviles. Monte y use el botón donde pueda ver claramente la puerta del garaje al cerrarse.



Mantenga la puerta a la vista hasta que se cierre por completo cuando utilice el botón pulsador o transmisor montado en la pared.

El mantenimiento de rutina puede prevenir tragedias

Haga que la inspección y prueba mensual de la puerta de su garaje y el sistema de apertura sean parte de su rutina habitual. Revise el manual del propietario tanto para la puerta como para el abrepuertas. Si no tiene los manuales del propietario, comuníquese con el (los) fabricante(s) y solicite una copia para su(s) modelo(s) específico(s). Busque el número de modelo del abrepuertas en la parte posterior de la unidad de alimentación.

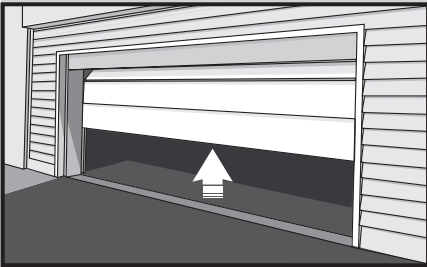
⚠️ ADVERTENCIA: Los resortes están sometidos a alta tensión. Solo personas calificadas deben ajustarlos.

Verifique visualmente la puerta y la instalación:



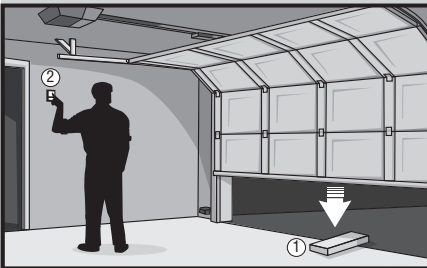
- Comenzando con la puerta en la posición cerrada, use la desconexión manual en el abrepuertas para desconectar la puerta.
- Busque signos de desgaste o daños en las bisagras, rodillos, resortes y paneles de puertas.
- Estas piezas pueden requerir lubricación periódica. Consulte el manual del propietario para obtener información sobre el mantenimiento sugerido.
- Si hay signos evidentes de daño, comuníquese con un técnico capacitado en sistemas de puertas para obtener ayuda.
- Verifique que la altura de la fotocélula no sea superior a 6" desde el piso del garaje.

Pruebe que la puerta funciona correctamente:



- Abra y cierre la puerta manualmente utilizando manijas o puntos de agarre adecuados.
- La puerta debe moverse libremente y sin dificultad.
- **La puerta debe permanecer en equilibrio y parcialmente abierta a 3 o 4 pies sobre el piso.**
- Si detecta algún signo de funcionamiento incorrecto, comuníquese con un técnico capacitado en sistemas de puertas para obtener ayuda.

Pruebe las características de seguridad del abrepuertas:



- Vuelva a conectar el abrepuertas a la puerta usando la desconexión manual y abra la puerta.
- Coloque una tabla de 2x4 plana en el camino de la puerta (1) e intente cerrarla (2). La puerta debe detenerse cuando entre en contacto con la tabla de 2x4 y luego invertir la dirección de movimiento.
- Bloquee el sensor fotoeléctrico moviendo un objeto frente al sensor e intente cerrar la puerta. La puerta no debe cerrarse a menos que el botón pulsador montado en la pared se mantenga presionado manualmente durante el funcionamiento.
- Si el abrepuertas no funciona como se describe, comuníquese con un técnico capacitado en sistemas de puertas para obtener ayuda.

Wi-Fi® es una marca comercial registrada de Wi-Fi Alliance.
© 2023 LiftMaster LLC
Todos los derechos reservados