

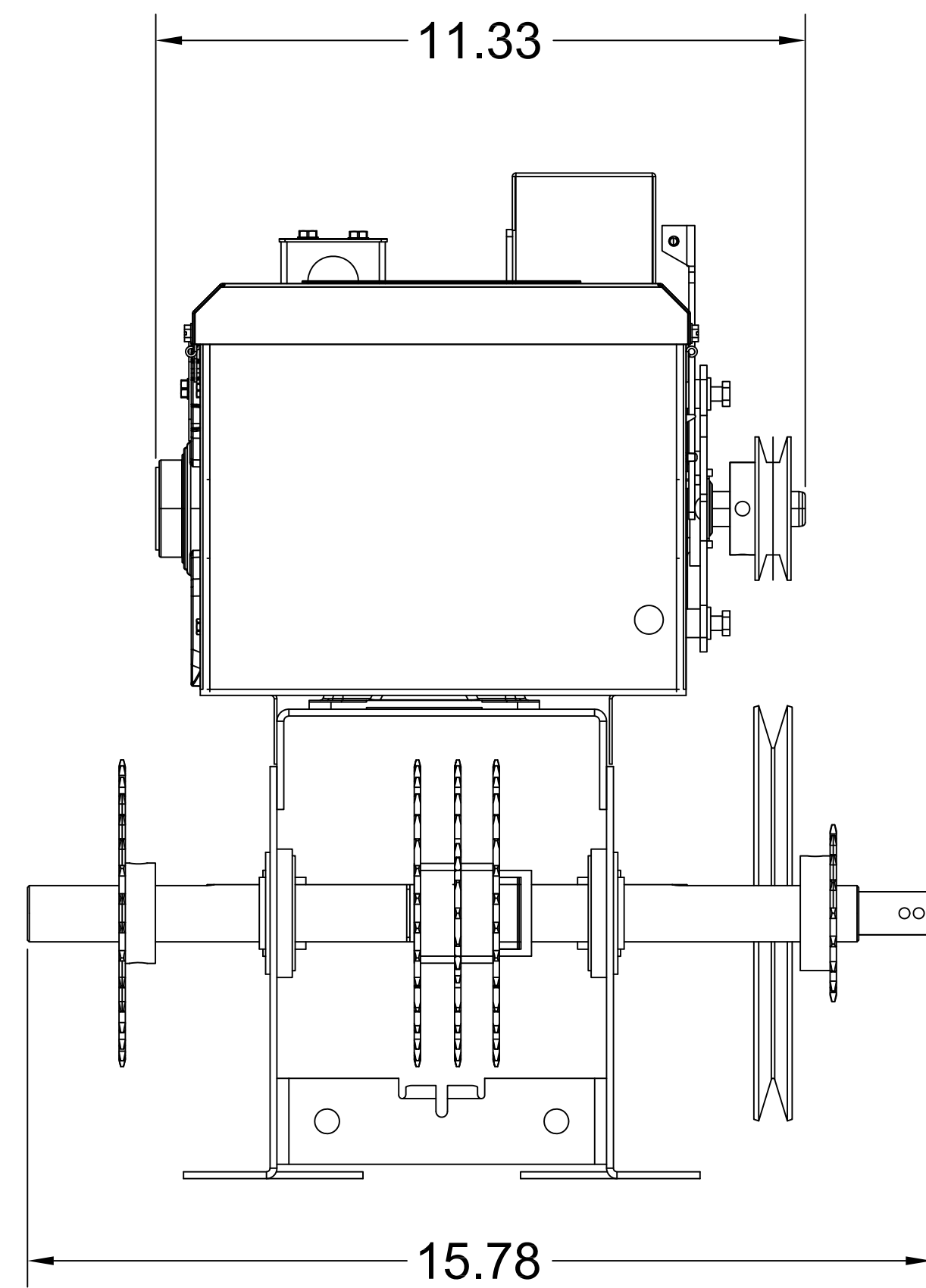
(J) LOGIC 5 OPERATOR

OPERATOR DIMENSION TABLE

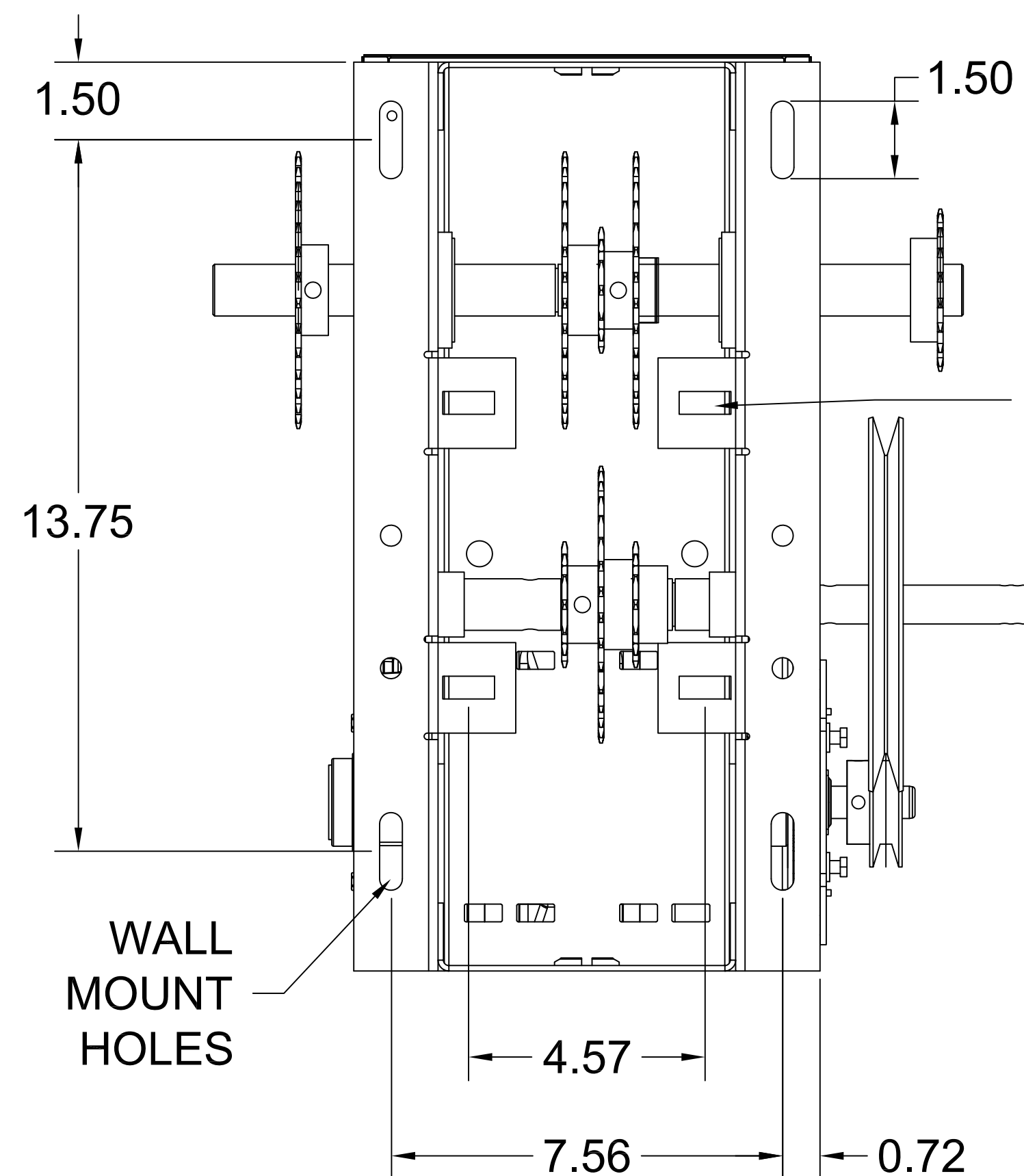
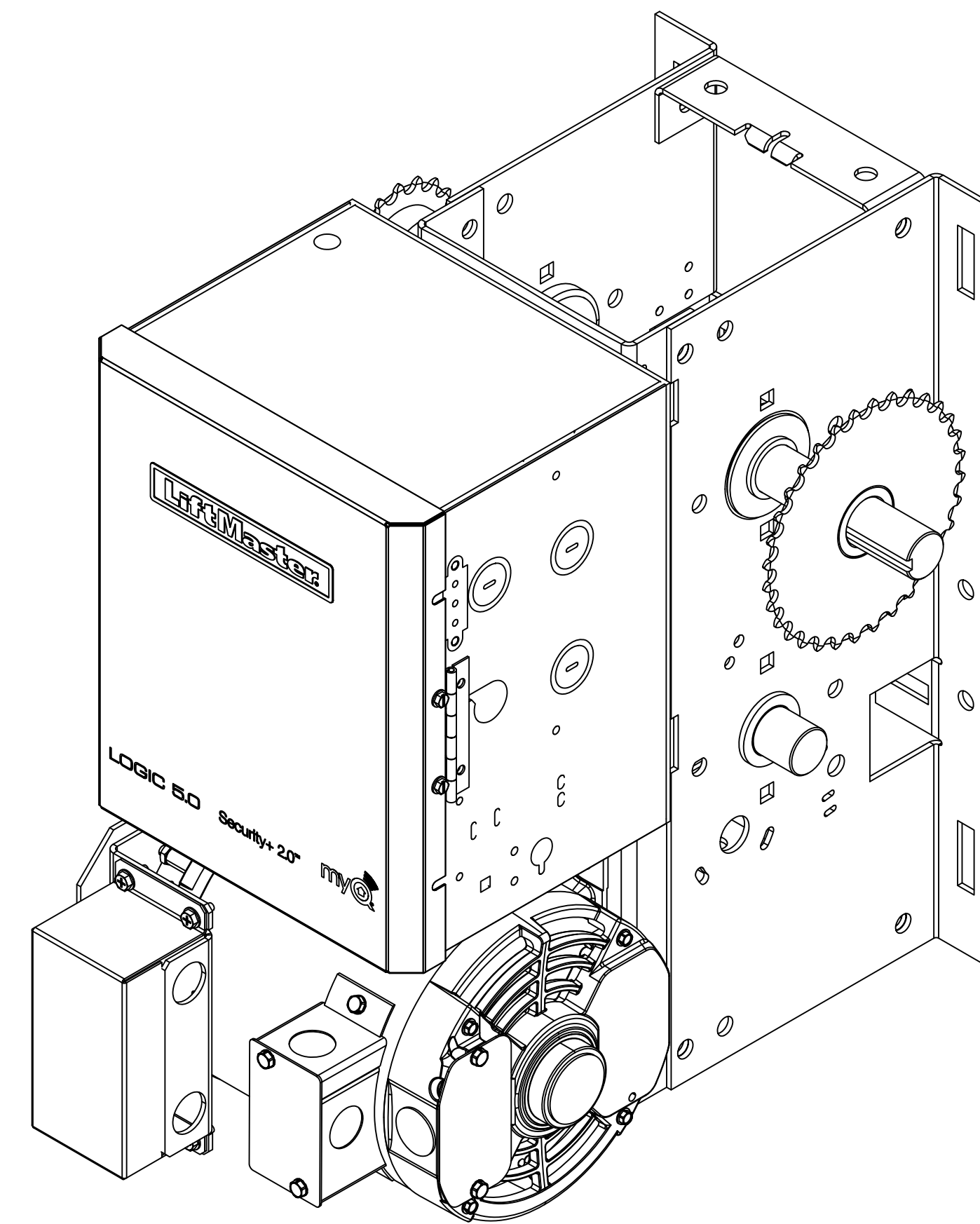
HP	PHASE	DIMENSIONS		
		A	B	C
1/2	1	10-3/4"	16-13/32"	8-7/32"
3/4	1	11-9/32"	16-11/32"	8-5/32"
1	1	11-29/32"	17-1/16"	8-7/8"
1/2	3	11-5/16"	16-7/16"	8-3/16"
3/4	3	11-5/16"	16-13/32"	8-3/16"
1	3	11-5/16"	16-13/32"	8-3/16"
-	-	-	-	-
-	-	-	-	-
-	-	-	-	-

NOTE: DIMENSIONS A, B & C MAY VARY PER MOTOR MANUFACTURER SPECIFICATION REVISIONS AND SPECIAL MODIFICATIONS TO THE OPERATOR.

		300 WINDSOR DR. OAK BROOK, IL 60523 PHONE: (630) 418-6516 FAX: (630) 516-7059
DRW. BY: B. MOFFETT DATE: 10/3/2018 TITLE: LIFTMASTER (J) OPERATOR UNIT CAD FILE: -	REVISION: SCALE: NTS	SHEET NO: <h1>1/2</h1>



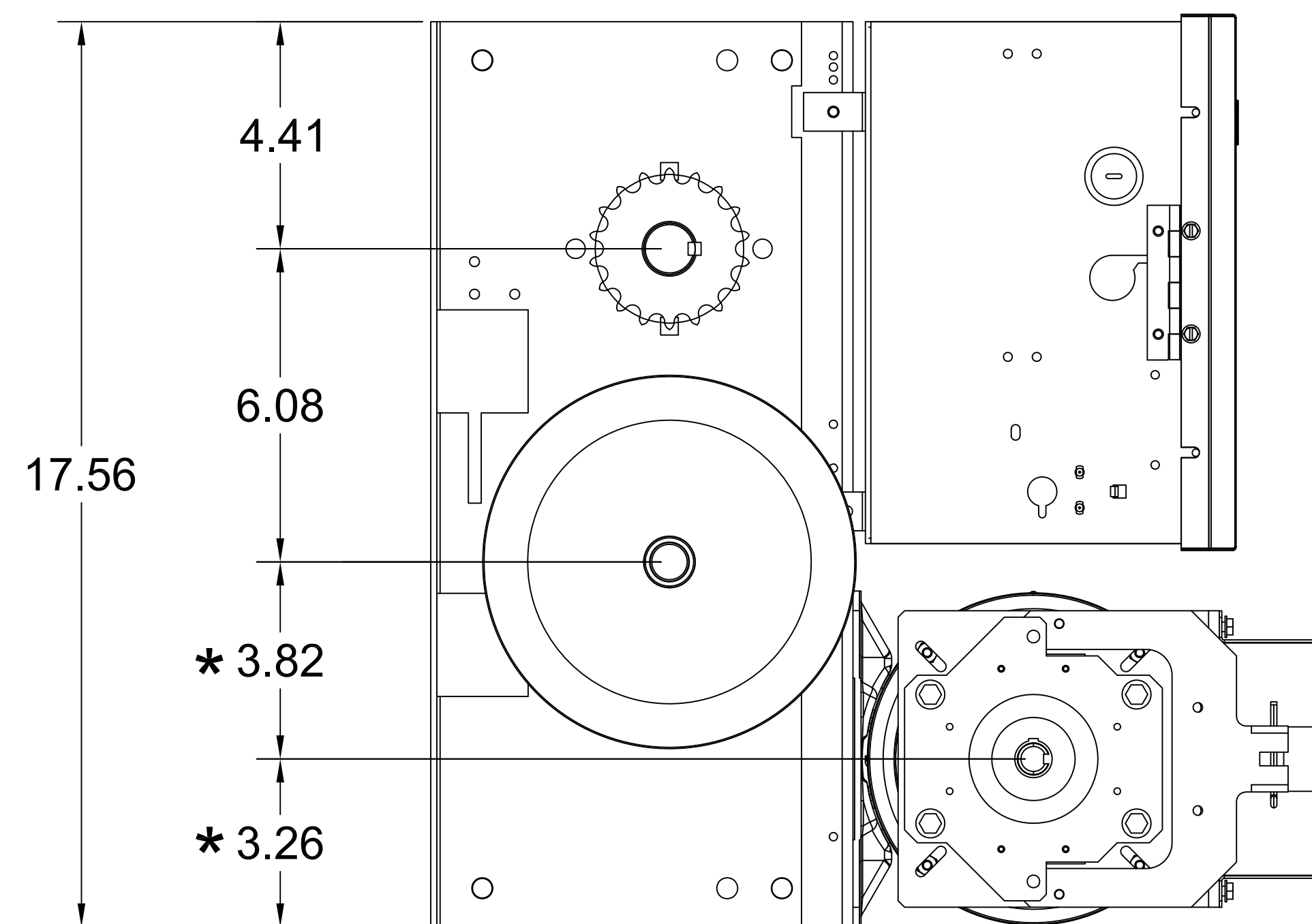
TOP



BACK

BRACKET
MOUNT HOLES
(ROLLING DOOR)
(4 PLCS.)

WALL
MOUNT
HOLES



LEFT

* DIMENSION WILL VARY PER
BELT TENSION ADJUSTMENT.

(J) LOGIC 5 OPERATOR

LiftMaster

LIFTMASTER (CHAMBERLAIN GROUP, INC.)
ENGINEERED SERVICES

300 WINDSOR DR.
OAK BROOK, IL 60523
PHONE: (630) 418-6516
FAX: (630) 516-7059

DRW. BY: B. MOFFETT

REVISION:

SHEET NO:

DATE: 10/3/2018

SCALE: NTS

TITLE: LIFTMASTER (J) OPERATOR UNIT

CAD FILE: -

2/2