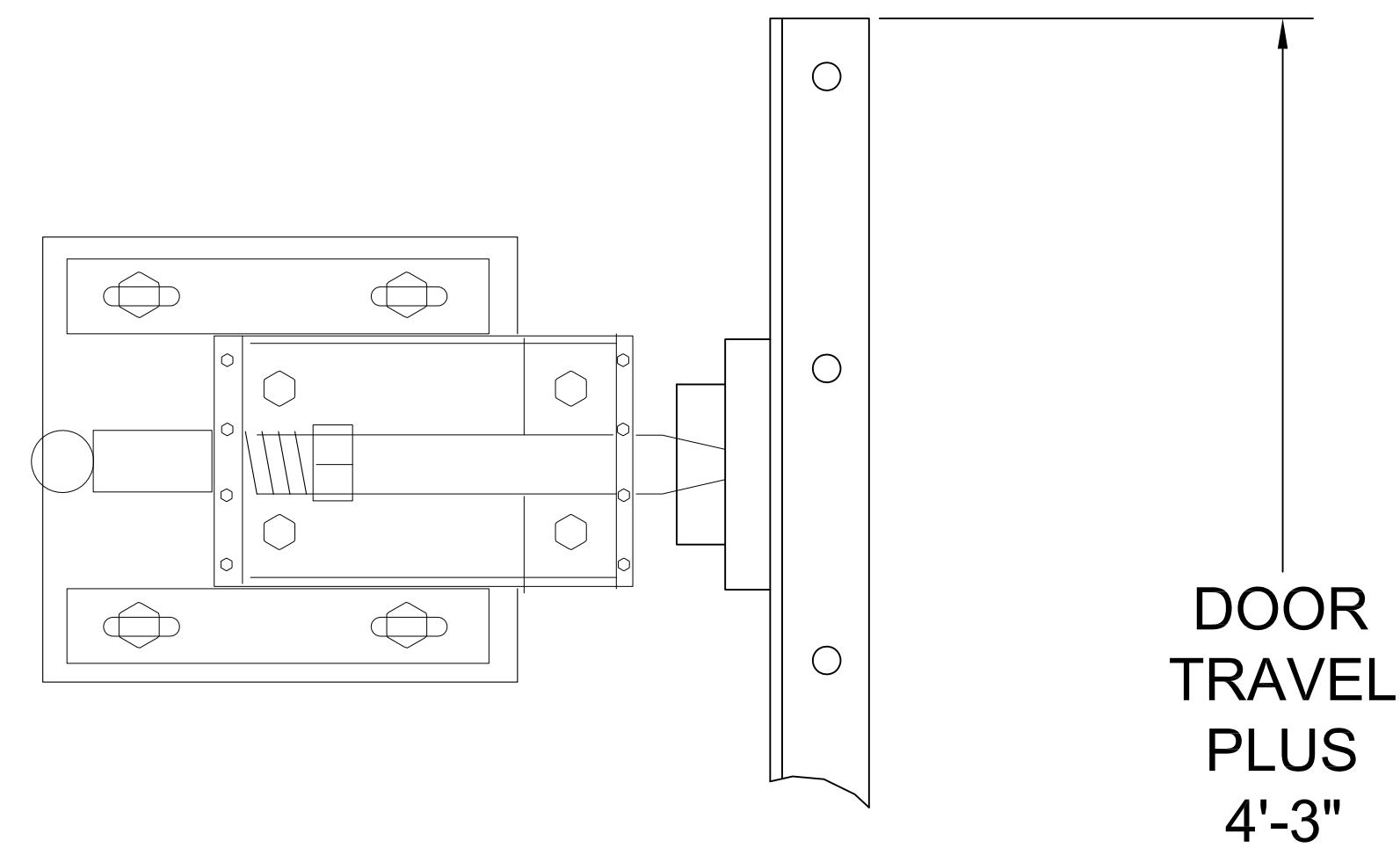
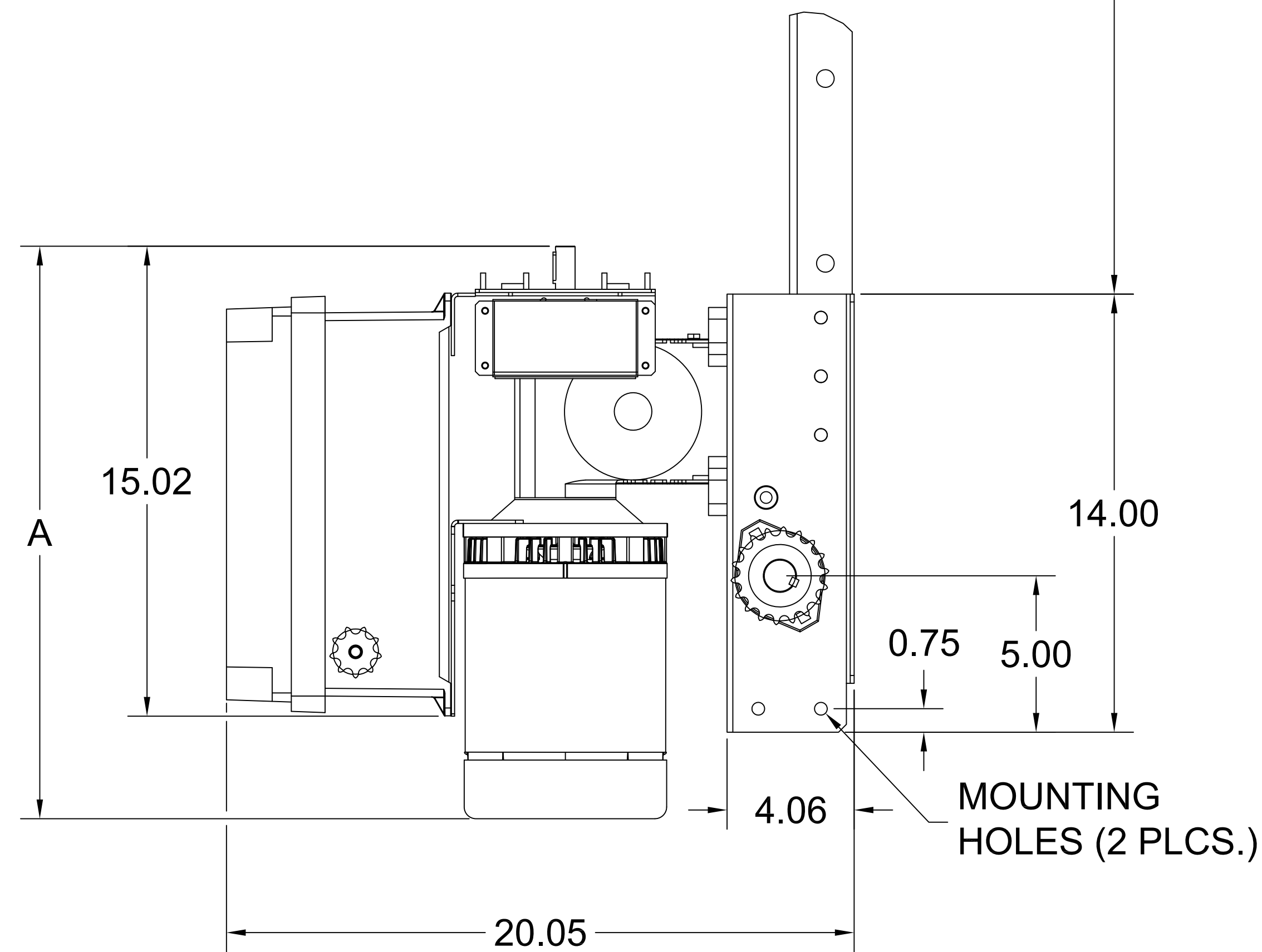


TOP



DOOR TRAVEL PLUS 4'-3"



RIGHT

NEMA 4 (GSD) OPERATOR

OPERATOR DIMENSION TABLE

HP	PHASE	DIMENSIONS			
		A	B	C	D
1/2	1	18-5/16"	7-3/4"	3-5/16"	N/A
3/4	1	18-13/16"	8-1/4"	3-13/16"	N/A
1	1	20-5/16"	9-3/4"	5-5/16"	N/A
-	-	-	-	-	-
1/2	3	18-5/16"	7-3/4"	3-5/16"	N/A
3/4	3	18-13/16"	8-1/4"	5-13/16"	N/A
1	3	20-5/16"	9-3/4"	5-5/16"	N/A
-	-	-	-	-	-
-	-	-	-	-	-
-	-	-	-	-	-

NOTE: DIMENSIONS A,B & C MAY VARY PER MOTOR MANUFACTURER SPECIFICATION REVISIONS AND SPECIAL MODIFICATIONS TO THE OPERATOR.

LiftMaster[®]

LIFTMASTER (CHAMBERLAIN GROUP, INC.)
ENGINEERED SERVICES

300 WINDSOR DR.
OAK BROOK, IL 60523
PHONE: (630) 418-6516
FAX: (630) 516-7059

DRW. BY: B. MOFFETT

REVISION:

DATE: 11/20/2018

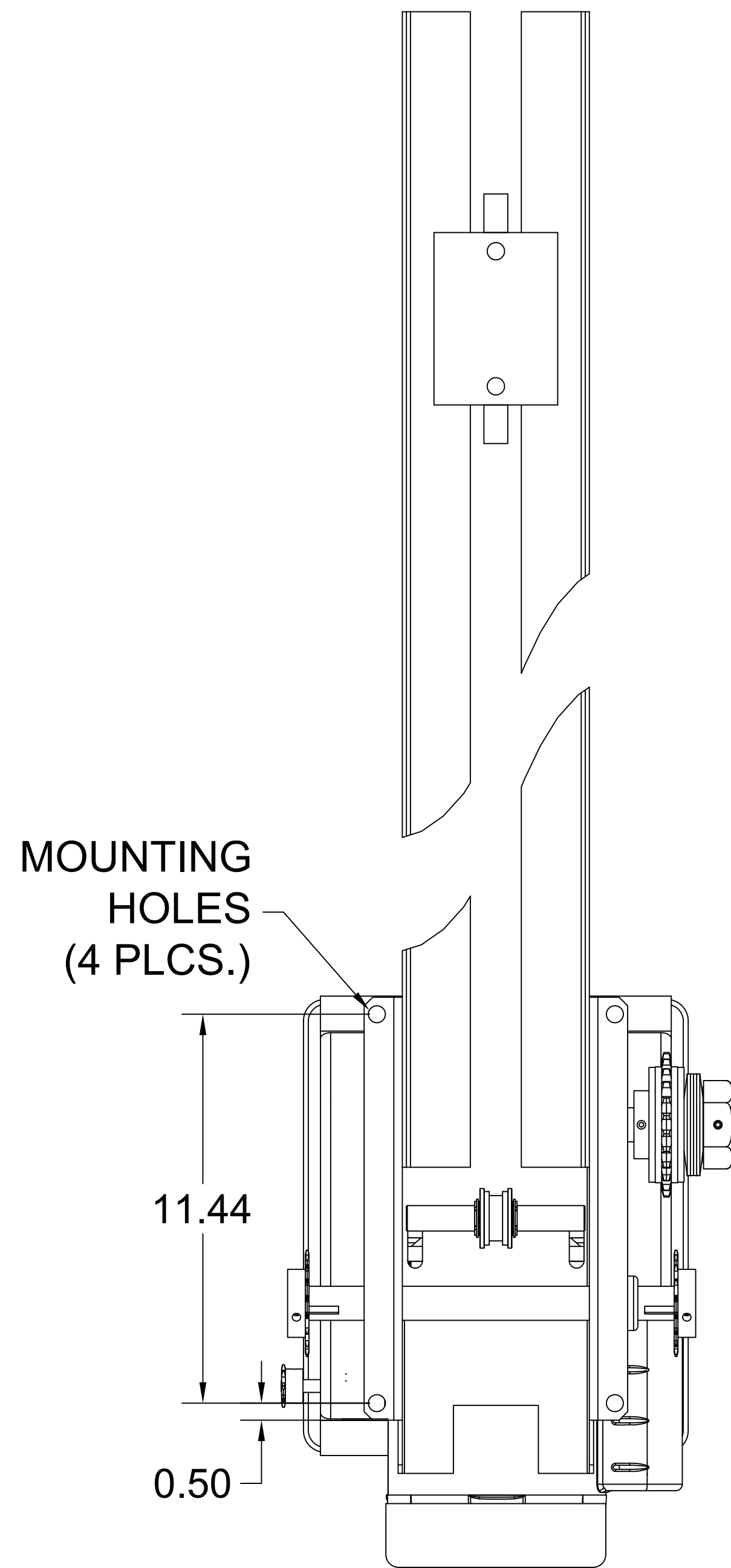
SCALE: NTS

TITLE: LIFTMASTER (NEMA 4 GSD) OPERATOR

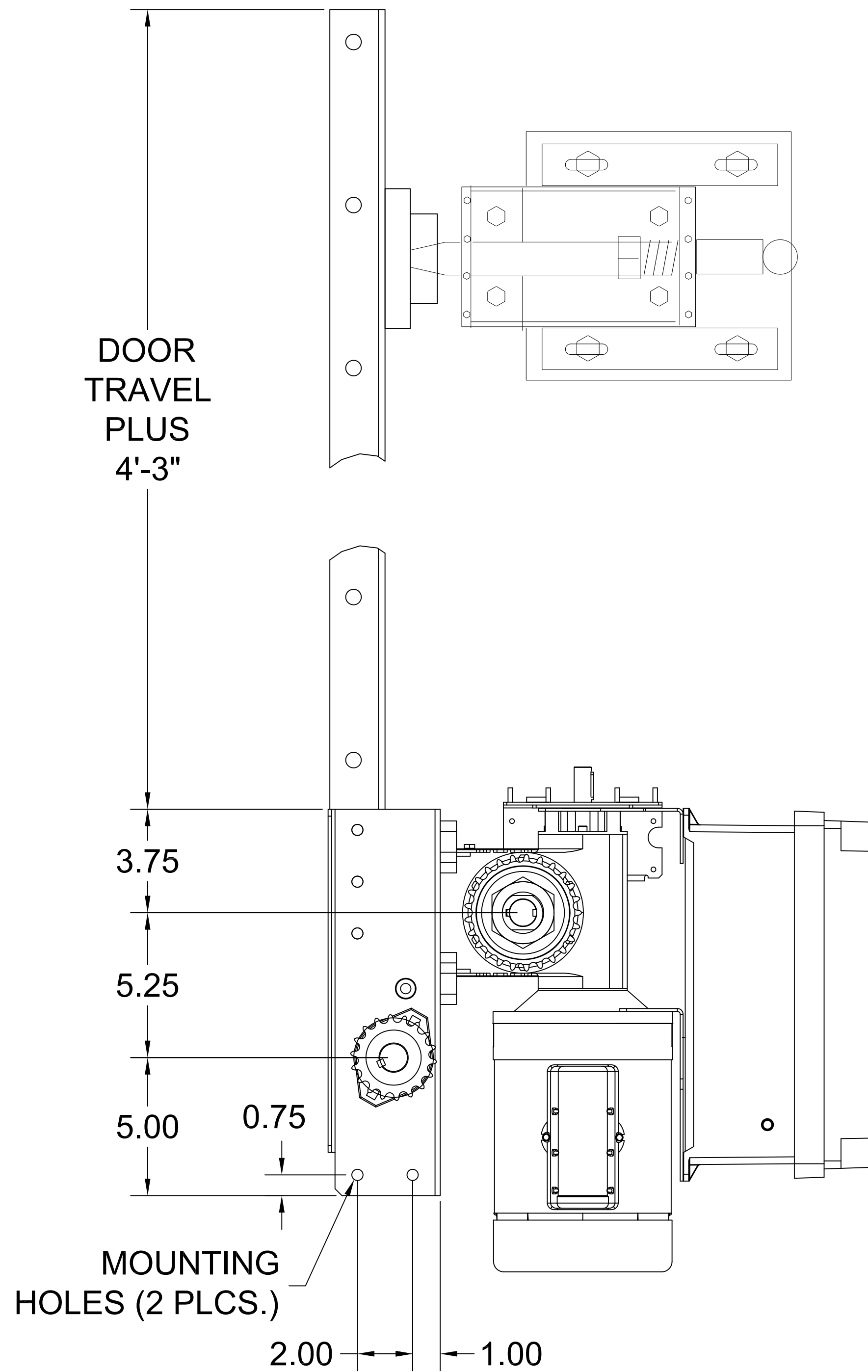
CAD FILE: GT_ARCHSS

SHEET NO:

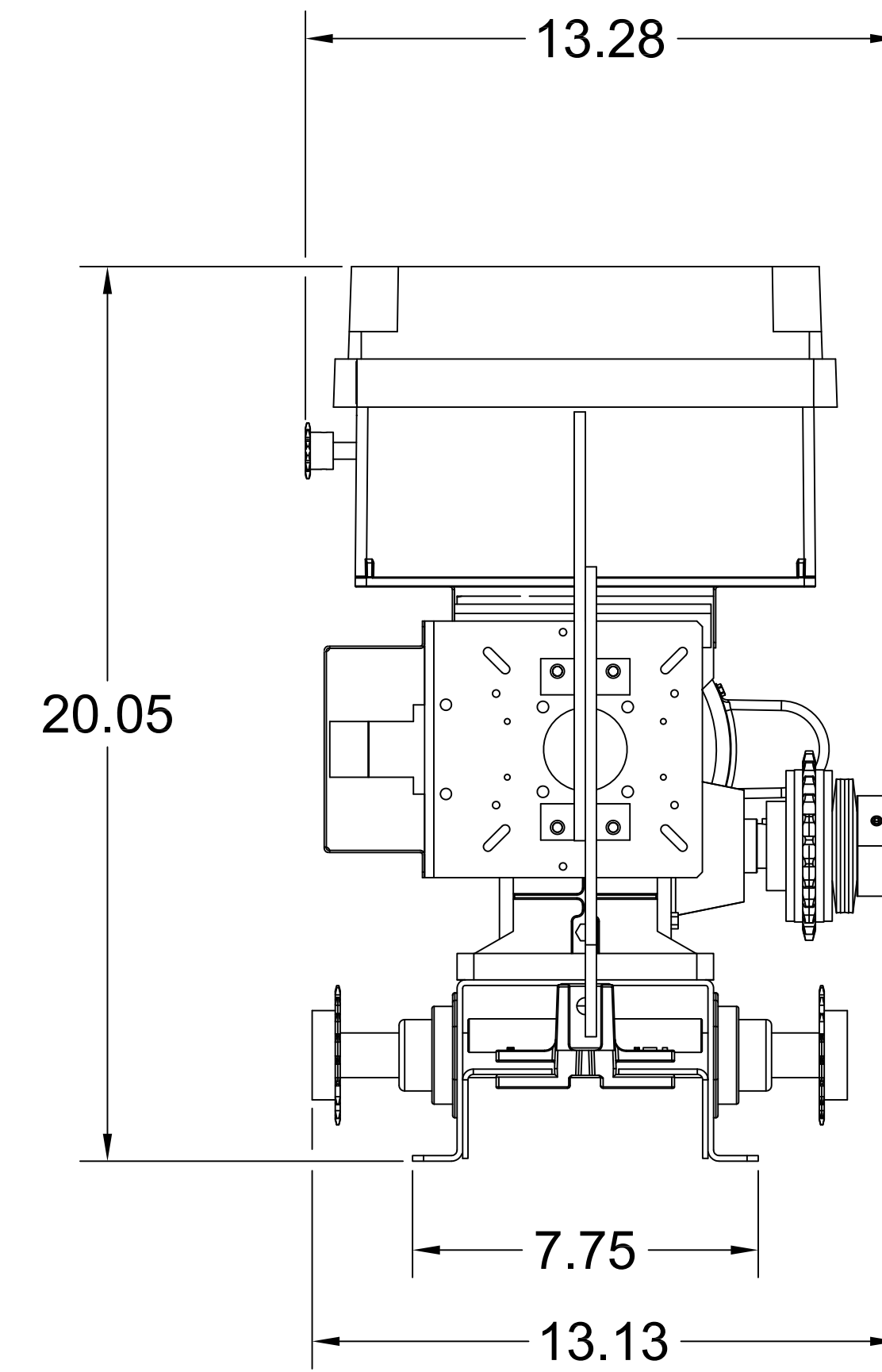
1/2



BOTTOM



LEFT



FRONT

PRELIMINARY
THIS PRINT IS SUBJECT TO CHANGE
WITH OUT REVISION

LiftMaster[®]
LIFTMASTER (CHAMBERLAIN GROUP, INC.)
ENGINEERED SERVICES

300 WINDSOR DR.
OAK BROOK, IL 60523
PHONE: (630) 418-6516
FAX: (630) 516-7059

DRW. BY: B. MOFFETT	REVISION:
DATE: 11/20/2018	SCALE: NTS
TITLE: LIFTMASTER (NEMA 4 GSD) OPERATOR	
CAD FILE: GT_ARCHSS	

SHEET NO:
2/2