

Installation Manual

Chain Drive Garage Door Opener

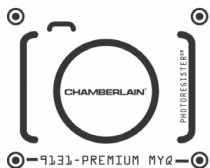
Models C2405C • D2405C • C2102C •
C2202C • D2101C

FOR RESIDENTIAL USE ONLY

PRE PROGRAMMED REMOTE
CONTROL INCLUDED

To register your garage door opener to receive updates and offers from Chamberlain, visit chamberlain.registria.com or use the icon below:

1. Take a photo of the camera icon including the points (●).
2. Send it in by texting the photo to 71403 (US).



- Please read this manual and the enclosed safety materials carefully!
- Fasten the manual near the garage door after installation.
- The door **WILL NOT CLOSE** unless the Protector System® is connected and properly aligned.
- Periodic checks of the garage door opener are required to ensure safe operation.
- The model number label is located on the back panel of your garage door opener.
- This garage door opener is compatible with myQ® and Security+ 2.0® accessories.
- **DO NOT** install on a one-piece door if using devices or features providing unattended close. Unattended devices and features are to be used **ONLY** with sectional doors.



Download the myQ®
App



Available on most iOS and Android Devices

Contents

Preparation	3
Assembly	7
Installation	11
Install the Door Control	22
Install the Protector System®	26
Connect Power	29
Adjustments	31
myQ® App Control	34
Connect With Your Smartphone	34
Operation	38
Using your Garage Door Opener	35
Using your Door Control	36
Remote Control and Keyless Entry	37
Home Link®	37
Erase the Memory	38
To Open the Door Manually	38
Maintenance	39
Troubleshooting	40
Warranty	42
Automatic Garage Door Opener Safety & Maintenance Guide	43
Repair Parts	45
Rail Assembly Parts	45
Installation Parts	45
Model C2102C	46
Model C2405C	47
Model D2405C	47
Model C2202C	48
Model D2101C	49

Safety Symbol and Signal Word Review

This garage door opener has been designed and tested to offer safe service provided it is installed, operated, maintained and tested in strict accordance with the instructions and warnings contained in this manual.

 **WARNING**

Mechanical

 **WARNING**

Electrical

When you see these Safety Symbols and Signal Words on the following pages, they will alert you to the possibility of **serious injury or death** if you do not comply with the warnings that accompany them. The hazard may come from something mechanical or from electric shock. Read the warnings carefully.

 **CAUTION**

When you see this Signal Word on the following pages, it will alert you to the possibility of damage to your garage door and/or the garage door opener if you do not comply with the cautionary statements that accompany it. Read them carefully.



WARNING: This product can expose you to chemicals including lead, which are known to the State of California to cause cancer or birth defects or other reproductive harm. For more information go to www.P65Warnings.ca.gov

Unattended Operation

The Timer-to-Close (TTC) feature, the myQ® App, and myQ® Garage Door and Gate Monitor are examples of unattended close and are to be used ONLY with sectional doors. Any device or feature that allows the door to close without being in the line of sight of the door is considered unattended close. The Timer-to-Close (TTC) feature, the myQ®App, and any other myQ® devices are to be used ONLY with sectional doors.

The images throughout this manual are for reference only and your product may look different.

Preparation

Check the Door

WARNING

To prevent possible **SERIOUS INJURY** or **DEATH**:

- ALWAYS call a trained door systems technician if garage door binds, sticks, or is out of balance. An unbalanced garage door may **NOT** reverse when required.
- NEVER try to loosen, move or adjust garage door, door springs, cables, pulleys, brackets or their hardware, ALL of which are under **EXTREME** tension.
- Disable ALL locks and remove ALL ropes connected to garage door **BEFORE** installation and operating garage door opener to avoid entanglement.
- DO NOT install on a one-piece door if using devices or features providing unattended close. Unattended devices and features are to be used **ONLY** with sectional doors.

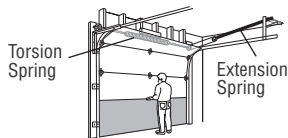
CAUTION

To prevent damage to garage door and opener:

- ALWAYS disable locks **BEFORE** installing and operating the opener.
- **ONLY** operate garage door opener at 120V, 60 Hz to avoid malfunction and damage.

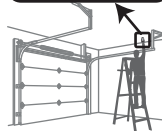
Before you begin:

1. Disable locks and remove any ropes connected to the garage door.
2. Lift the door half way up. Release the door. If balanced, it should stay in place, supported entirely by its springs.
3. Raise and lower the door to check for binding or sticking. If your door binds, sticks, or is out of balance, call a trained door systems technician.
4. Check the seal on the bottom of the door. Any gap between the floor and the bottom of the door must not exceed 1/4" (6 mm). Otherwise, the safety reversal system may not work properly.
5. The opener should be installed above the center of the door. If there is a torsion spring or center bearing plate in the way of the header bracket, it may be installed within 4 feet (1.2 m) to the left or right of the door center. See page 13.



Before You Connect with Your Smartphone*

Monitor and control your garage door from anywhere using the myQ® App. You will need a router with Wi-Fi® and a smartphone or other mobile device. Make sure your mobile device is connected to your Wi-Fi® network. Hold your mobile device in the place where your garage door opener will be installed and check the Wi-Fi® signal strength.



Check Signal Strength. If you see:



Wi-Fi signal is strong. You're all set!
Install your new garage door opener.



Wi-Fi signal is weak.

The garage door opener will likely connect to your Wi-Fi network. If not, try one of the options below.



No Wi-Fi signal. Try one of the following:

- Move your router closer to the garage door opener to minimize interference from walls and other objects
- Buy a Wi-Fi range extender

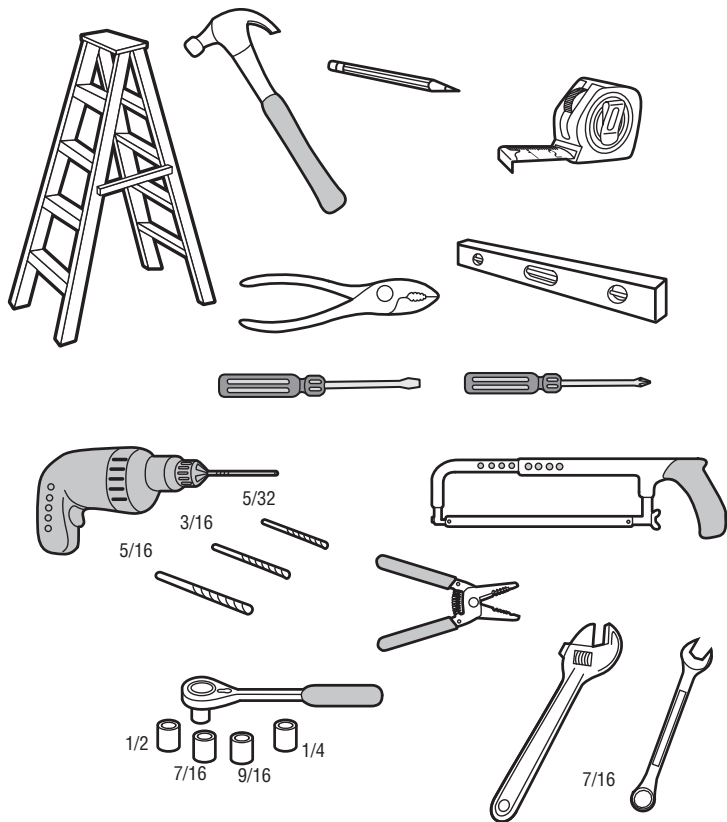
Visit support.chamberlaingroup.com for more details.

See myQ® App Control page 37 to connect your garage door opener to your Wi-F® network.

*Smartphone control is not available on models C2102 and D2101.

Preparation

Tools Needed



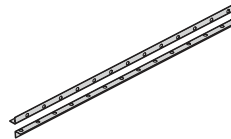
Additional Items You May Need:

Survey your garage area to see if you will need any of the following items:

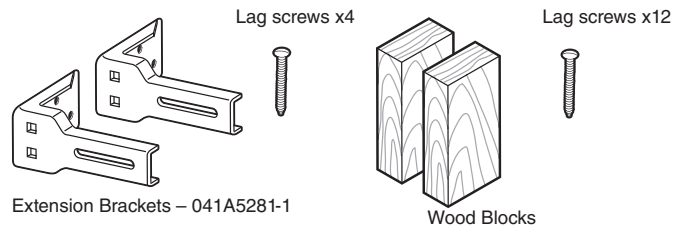
- **(2)2X4 Pieces of wood** : May be used to fasten the header bracket to the structural supports. Also used to position the garage door opener during installation and for testing the safety reversing sensors.
- **Support bracket and fastening hardware**: Must be used if you have a finished ceiling in your garage.
- **Support brackets**



- **Hanging brackets**



- **Extension brackets (Model 041A5281-1) or wood blocks**: Depending upon garage construction, extension brackets or wood blocks may be needed to install the safety reversing sensor.



- **Fastening hardware**: Alternate floor mounting of the safety reversing sensor will require hardware not provided.
- **Door reinforcement**: Required if you have a light weight steel, aluminum, fiber glass or glass panel door.
- **Rail extension kit**: Required if your garage door is more than 7 feet (2.13 m) high.

Preparation

Carton Inventory

Save the carton and packing material until the installation and adjustment is complete. Instructions for the accessories will be attached to the accessory and are not included in this manual. The images throughout this manual are for reference only and your product may look different.

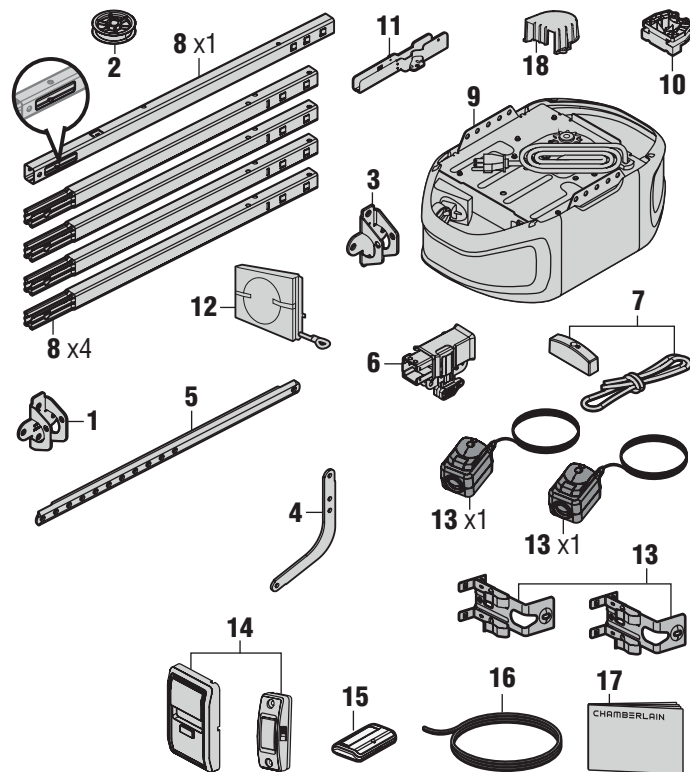
1. Header bracket
2. Pulley
3. Door bracket
4. Curved door arm
5. Straight door arm
(Packaged inside front rail section)
6. Trolley
7. Emergency release rope and handle
8. Rail (1 front and 4 center sections)
9. Garage door opener (motor unit)
10. Chain spreader with screws - Model C2405
11. "U" bracket
12. Chain and cable or chain (D2405C and D21202C only)
13. **The Protector System®**
Safety reversing sensors with 2 conductor white and white/black wire attached: sending sensor (1), receiving sensor (1), and safety sensor brackets (2)
14. Remote control
15. Push Button Door Control - Models C2202C, D2101C, C2102C
Multi-Function Control Panel - Model C2405C, D2405C
16. White and red/white wire
17. Installation manual and all warning labels
18. Sprocket cover - Model C2405C, D2405C

See Hardware page 6.

Go to chamberlain.com for replacement or additional accessories:

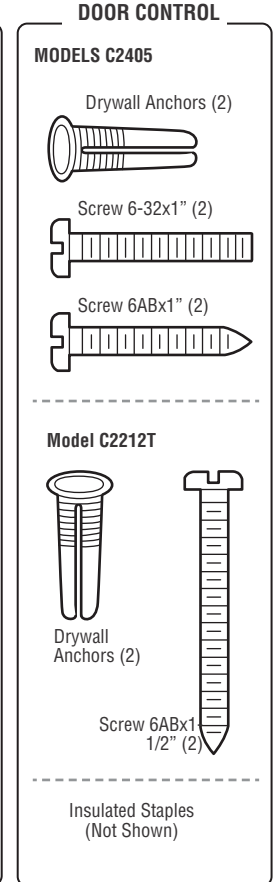
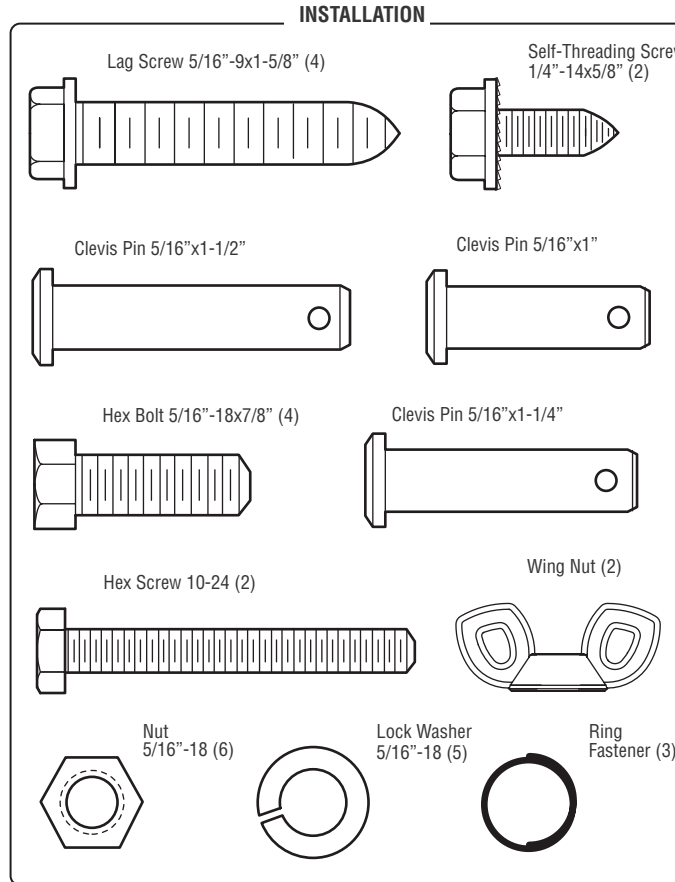
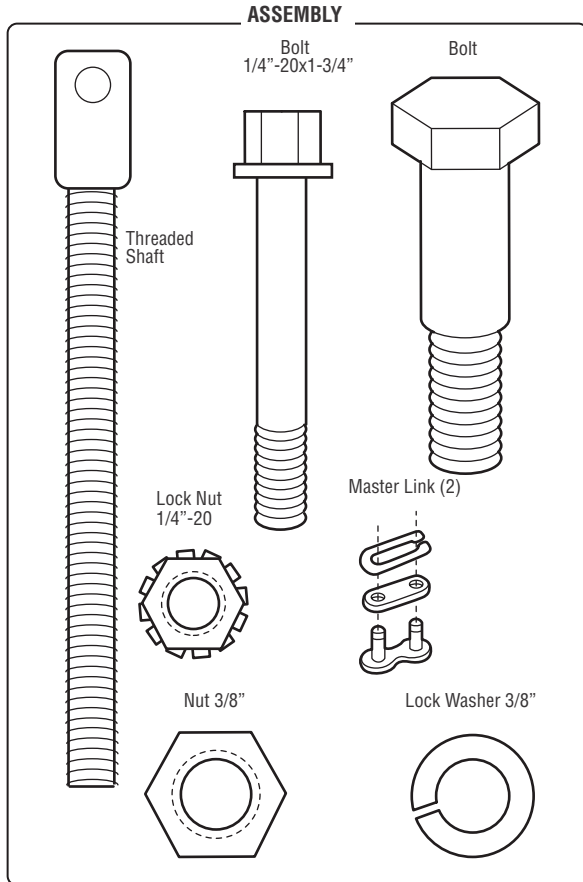
3-button remote control model 953EV-P2

Wireless keypad model 940EV-P2



Preparation

Hardware



Assembly

STEP 1 Assemble the Rail and Install the Trolley

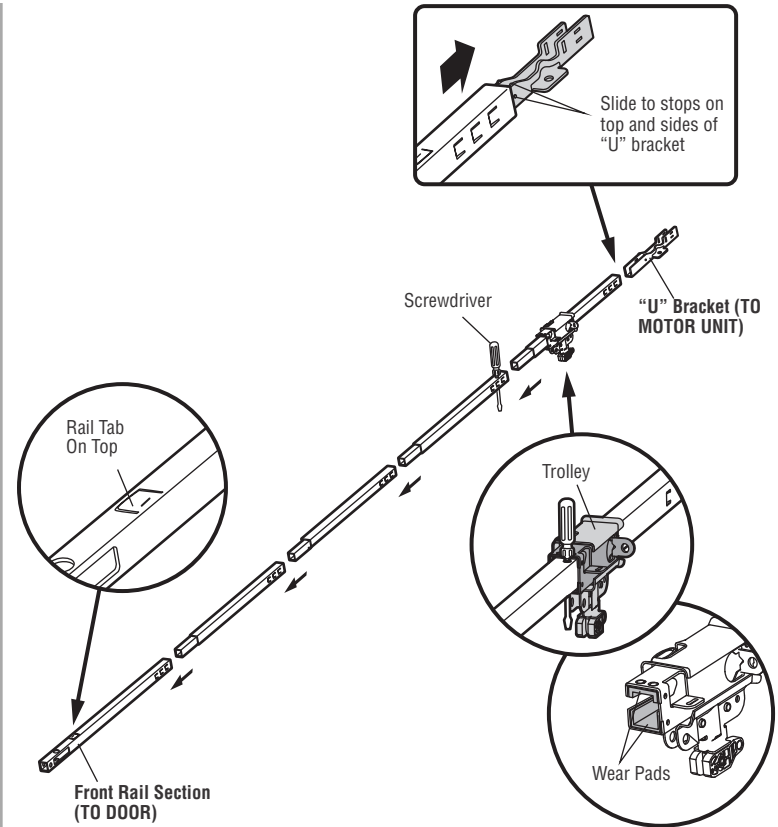
CAUTION

To prevent INJURY from pinching, keep hands and fingers away from the joints while assembling the rail.

To avoid installation difficulties, do not run the garage door opener until instructed to do so.

The front rail has a cut out "window" at the door end. The rail tab MUST be on top of the rail when assembled.

1. Remove the straight door arm and hanging bracket packaged inside the front rail and set a side for Installation Step 5 and 9. **NOTE: To prevent INJURY while unpacking the rail carefully remove the straight door arm stored within the rail section.**
2. Align the rail sections on a flat surface as shown and slide the tapered ends into the larger ones. Tabs along the side will lock into place.
3. Place the motor unit on packing material to protect the cover, and rest the back end of the rail on top.
For convenience, put a support under the front end of the rail.
4. As a temporary stop, insert a screwdriver into the hole in the second rail section from the motor unit, as shown.
5. Check to be sure there are 4 plastic wear pads inside the inner trolley. If they became loose during shipping, check all packing material. Snap them back into position as shown.
6. Slide the trolley assembly toward the screwdriver as shown.
7. Slide the rail onto the "U" bracket, until it reaches all the stops on the top and sides of the "U" bracket.



Assembly

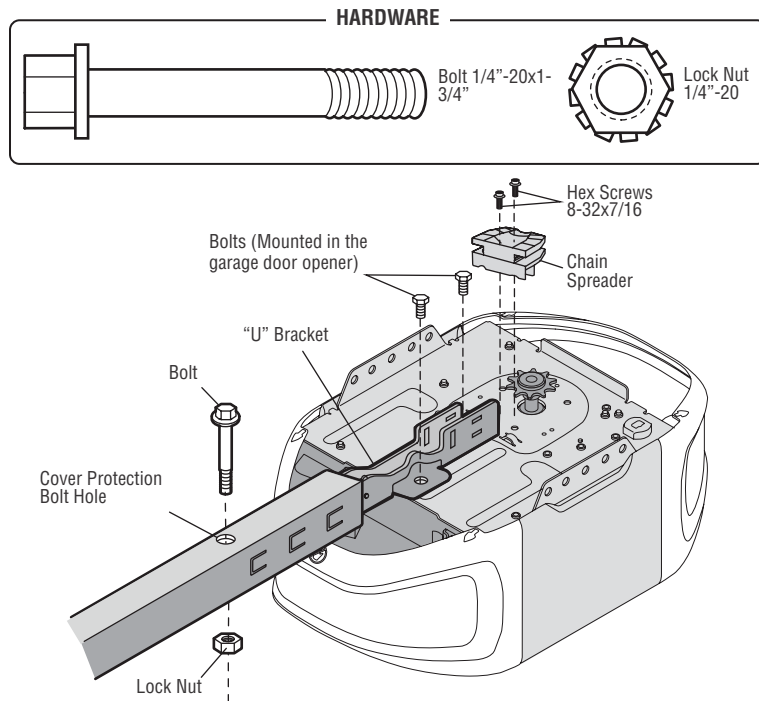
STEP 2 Fasten the Rail to the Motor Unit

MODEL C2405

CAUTION

To avoid **SERIOUS** damage to garage door opener, use **ONLY** those bolts/fasteners mounted in the top of the opener.

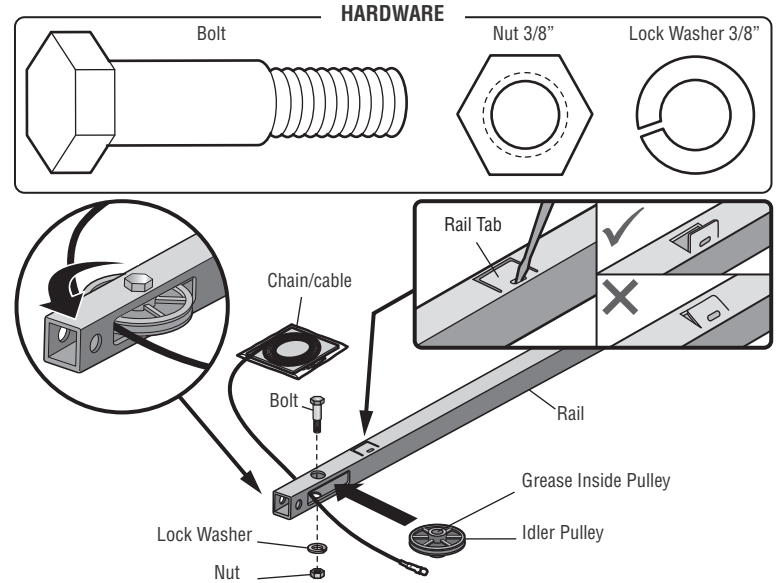
1. Insert a 1/4"-20 x 1-3/4" bolt into the cover protection bolt hole on the back end of the rail as shown.
Tighten securely with a 1/4"-20 lock nut. **DO NOT** over tighten.
2. Remove the bolts from the top of the motor unit.
3. Use the carton to support the front end of the rail.
4. Place the "U" bracket, flat side down onto the motor unit and align the bracket holes with the bolt holes.
5. Fasten the "U" bracket with the previously removed bolts; **DO NOT** use any power tools. The use of power tools may permanently damage the garage door opener.
6. Attach chain spreader to the motor unit with two screws.



Assembly

STEP 3 Install the Idler Pulley

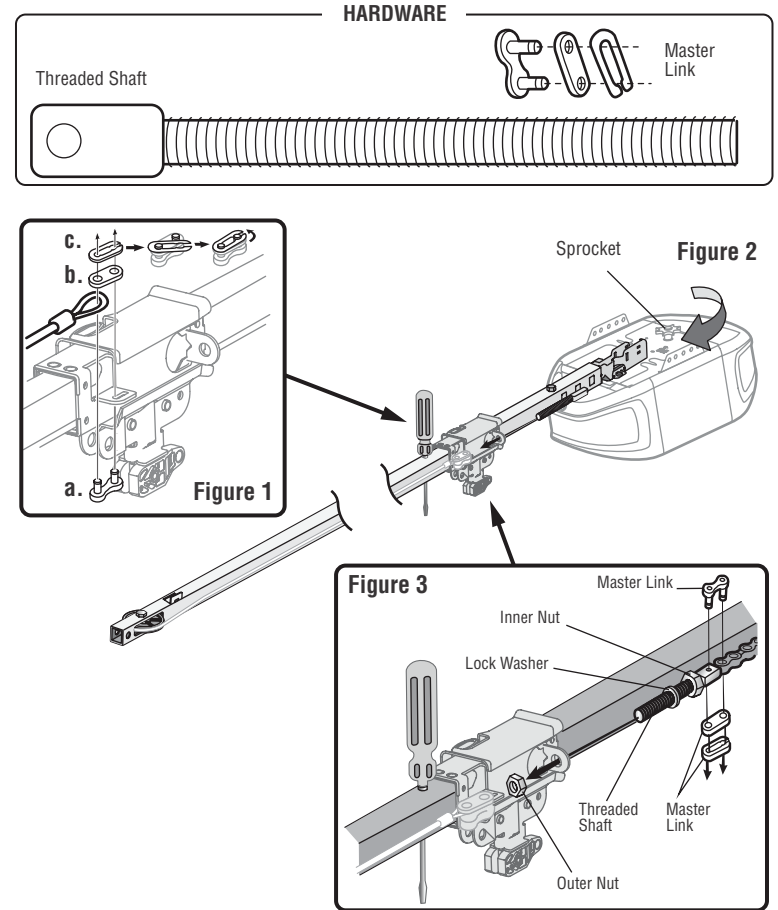
1. Lay the chain/cable beside the rail, as shown. Grasp the end of the cable and pass approximately 12" (30 cm) of cable through the window. Allow it to hang until Assembly Step 4.
2. Remove the tape from the idler pulley. The inside center should be pre-greased. If dry, regrease to ensure proper operation.
3. Place the idler pulley into the window as shown.
4. Insert the idler bolt from the top through the rail and pulley. Tighten with a 3/8" lock washer and nut underneath the rail until the lock washer is compressed.
5. Rotate the pulley to be sure it spins freely.
6. Locate the rail tab. The rail tab is near the idler pulley on the front rail section. Use a flat head screwdriver and lift the rail tab until the tab is vertical (90°).



Assembly

STEP 4 Install the Chain

1. Pull the cable around the idler pulley and toward the trolley.
2. Connect the cable to the retaining slot on the trolley, as shown. (Figure 1)
 - a. Push pins of master link bar through cable link and trolley slot.
 - b. Push master link cap over pins and past pin notches.
 - c. Slide the closed end of the clip-on spring over one of the pins.
Push the open end of the clip-on spring onto the other pin.
3. With the trolley against the screwdriver, dispense the remainder of the cable/chain along the rail toward the motor unit around the sprocket and continuing to the trolley assembly. The sprocket teeth must engage the chain. (Figure 2)
4. Check to make sure the chain is not twisted, then connect it to the threaded shaft with the remaining master link.
5. Thread the inner nut and lock washer onto the trolley threaded shaft.
6. Insert the trolley threaded shaft through the hole in the trolley. **Be sure the chain is not twisted.** (Figure 3)
7. Loosely thread the outer nut onto the trolley threaded shaft.
8. Remove the screwdriver.



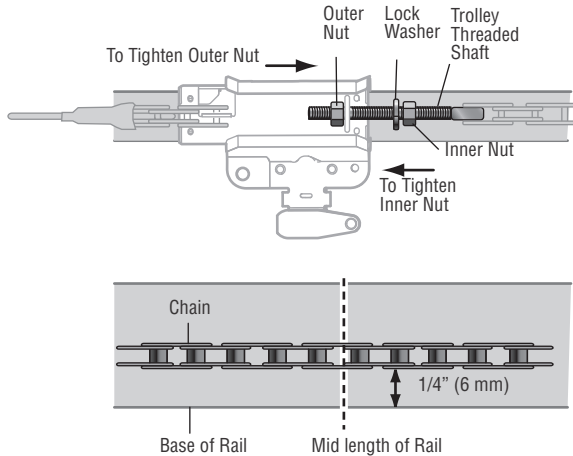
Assembly

STEP 5 Tighten the Chain

1. Spin the inner nut and lock washer down the trolley threaded shaft, away from the trolley.
2. To tighten the chain, turn the outer nut in the direction shown.
3. When the chain is approximately 1/4" (6 mm) above the base of the rail at it's midpoint, retighten the inner nut to secure the adjustment.

Sprocket noise can result if the chain is too loose. When installation is complete, you may notice some chain droop with the door closed. This is normal. If the chain returns to the position shown when the door is open, do not re-adjust the chain.

NOTE: During future maintenance, ALWAYS pull the emergency release handle to disconnect the trolley before adjusting the chain.



IMPORTANT INSTALLATION INSTRUCTIONS



WARNING

To reduce the risk of SEVERE INJURY or DEATH:

1. READ AND FOLLOW ALL INSTALLATION WARNINGS AND INSTRUCTIONS.
2. Install garage door opener ONLY on properly balanced and lubricated garage door. An improperly balanced door may NOT reverse when required and could result in SEVERE INJURY or DEATH.
3. ALL repairs to cables, spring assemblies and other hardware MUST be made by a trained door systems technician BEFORE installing opener.
4. Disable ALL locks and remove ALL ropes connected to garage door BEFORE installing opener to avoid entanglement.
5. Where possible, install the door opener 7 feet (2.13 m) or more above the floor.
6. Mount the emergency release within reach, but at least 6 feet (1.83 m) above the floor and avoiding contact with vehicles to avoid accidental release.
7. NEVER connect garage door opener to power source until instructed to do so.
8. NEVER wear watches, rings or loose clothing while installing or servicing opener. They could be caught in garage door or opener mechanisms.
9. Install wall-mounted garage door control:
 - within sight of the garage door.
 - out of reach of small children at a minimum height of 5 feet (1.5 m) above floors, landings, steps or any other adjacent walking surface.
 - away from ALL moving parts of the door.
10. Place entrapment warning label on wall next to garage door control in a prominent location.
11. Place emergency release/safety reverse test label in plain view on inside of garage door.
12. Upon completion of installation, test safety reversal system. Door MUST reverse on contact with a 1-1/2" (3.8 cm) high object (or a 2x4 laid flat) on the floor.
13. DO NOT install on a one-piece door if using devices or features providing unattended close. Unattended devices and features are to be used ONLY with sectional doors.

14. SAVE THESE INSTRUCTIONS.

Installation

STEP 1 Determine the Header Bracket Location

WARNING

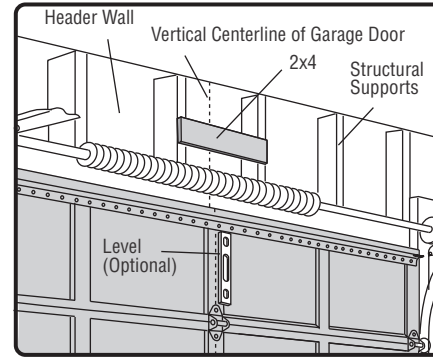
To prevent possible **SERIOUS INJURY** or **DEATH**:

- Header bracket **MUST** be **RIGIDLY** fastened to structural support on header wall or ceiling, otherwise garage door might **NOT** reverse when required. **DO NOT** install header bracket over drywall.
- Concrete anchors **MUST** be used if mounting header bracket or 2x4 into masonry.
- **NEVER** try to loosen, move or adjust garage door, springs, cables, pulleys, brackets, or their hardware, **ALL** of which are under **EXTREME** tension.
- **ALWAYS** call a trained door systems technician if garage door binds, sticks, or is out of balance. An unbalanced garage door might **NOT** reverse when required.

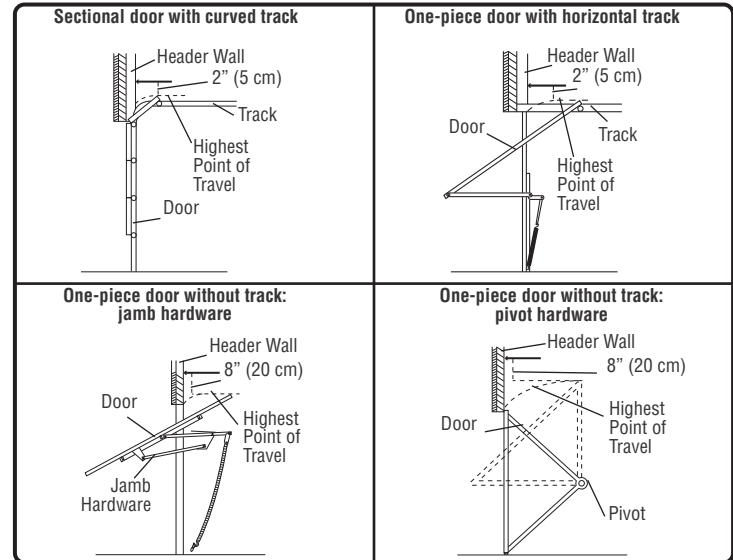
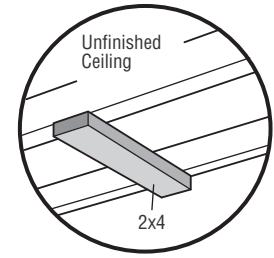
Installation procedures vary according to garage door types. Follow the instructions which apply to your door.

1. Close the door and mark the inside vertical centerline of the garage door.
2. Extend the line onto the header wall above the door. You can fasten the header bracket within 4 feet (1.22 m) of the left or right of the door center only if a torsion spring or center bearing plate is in the way; or you can attach it to the ceiling (see page 16) when clearance is minimal. (It may be mounted on the wall upside down if necessary, to gain approximately 1/2" (1 cm). If you need to install the header bracket on a 2x4 (on wall or ceiling), use lag screws (not provided) to securely fasten the 2x4 to structural supports as shown here and on page 16.
3. Open your door to the highest point of travel as shown. Draw an intersecting horizontal line on the header wall 2" (5 cm) above the high point:
 - 2" (5 cm) above the high point for sectional door and one-piece door with track.
 - 8" (20 cm) above the high point for one-piece door without track.

This height will provide travel clearance for the top edge of the door. **NOTE:** If the total number of inches exceeds the height available in your garage, use the maximum height possible, or refer to page 16 for ceiling installation.



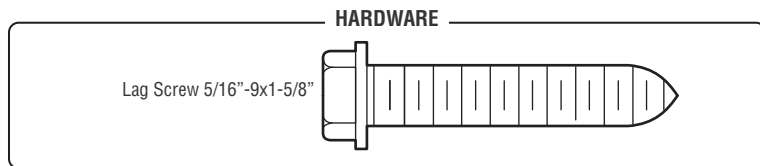
OPTIONAL CEILING MOUNT FOR HEADER BRACKET



Installation

STEP 2 Install the Header Bracket

You can attach the header bracket either to the wall above the garage door, or to the ceiling. Follow the instructions which will work best for your particular requirements. **Do not install the header bracket over drywall. If installing into masonry, use concrete anchors (not provided).**



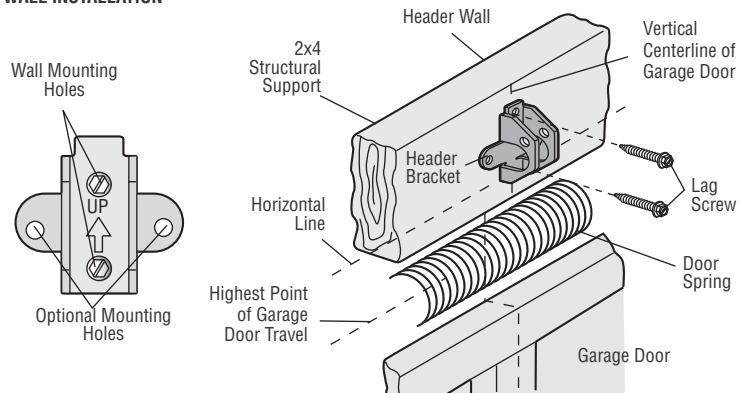
OPTION A - WALL INSTALLATION

1. Center the bracket on the vertical centerline with the bottom edge of the bracket on the horizontal line as shown (with the arrow pointing toward the ceiling).
2. Mark the vertical set of bracket holes. Drill 3/16" pilot holes and fasten the bracket securely to a structural support with the hardware provided.

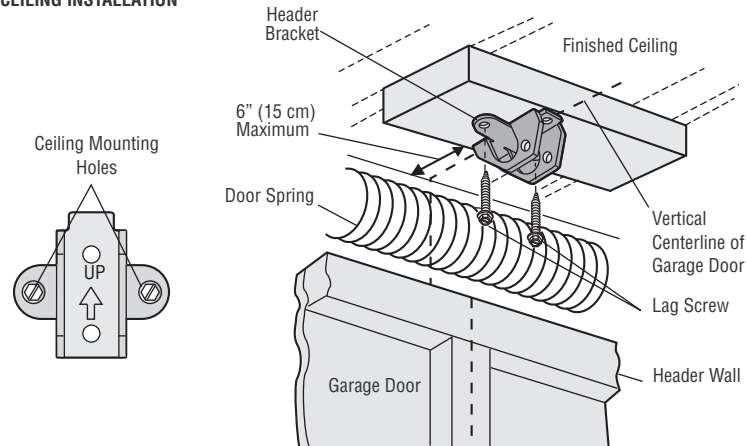
OPTION B - CEILING INSTALLATION

1. Extend the vertical centerline onto the ceiling as shown.
2. Center the bracket on the vertical mark, no more than 6" (15 cm) from the wall. Make sure the arrow is pointing away from the wall. The bracket can be mounted flush against the ceiling when clearance is minimal.
3. Mark the side holes. Drill 3/16" pilot holes and fasten bracket securely to a structural support with the hardware provided.

WALL INSTALLATION



CEILING INSTALLATION

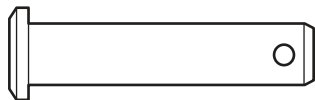


Installation

STEP 3 Attach the Rail to the Header Bracket

1. Position the opener on the garage floor below the header bracket. Use packing material as a protective base.
NOTE: If the door spring is in the way, you will need help. Have someone hold the opener securely on a temporary support to allow the rail to clear the spring.
2. Position the rail bracket against the header bracket.
3. Align the bracket holes and join with a clevis pin as shown.
4. Insert a ring fastener to secure.

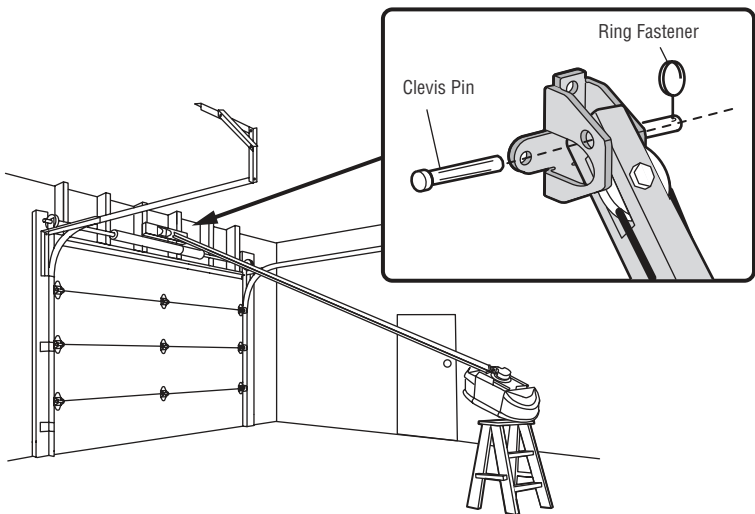
HARDWARE



Clevis Pin
5/16"x1-1/2"



Ring Fastener



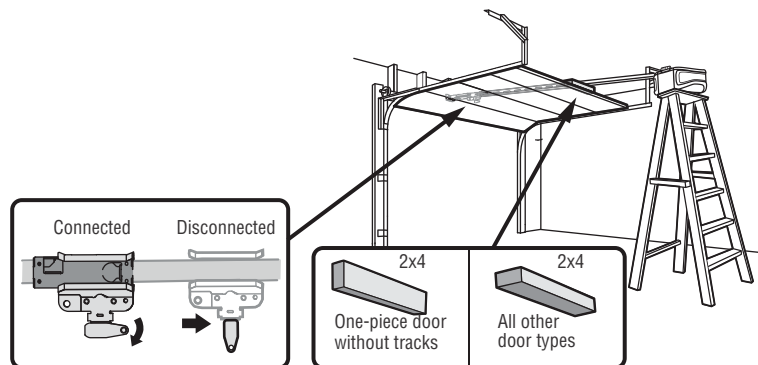
STEP 4 Position the Garage Door Opener

⚠ CAUTION

To prevent damage to garage door, rest garage door opener rail on 2x4 placed on top section of door.

1. Remove the packing material and lift the garage door opener onto a ladder.
2. Fully open the door and place a 2x4 (laid flat) under the rail. For one-piece doors without tracks, lay the 2x4 on it's side.

NOTE: A 2x4 is ideal for setting the distance between the rail and the door. If the ladder is not tall enough you will need help at this point. If the door hits the trolley when it is raised, pull the trolley release arm down to disconnect the inner and outer trolley. Slide the outer trolley toward the garage door opener. The trolley can remain disconnected until instructed.



Installation

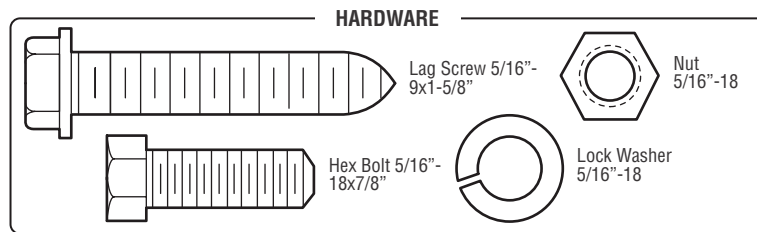
STEP 5 Hang the Garage Door Opener

WARNING

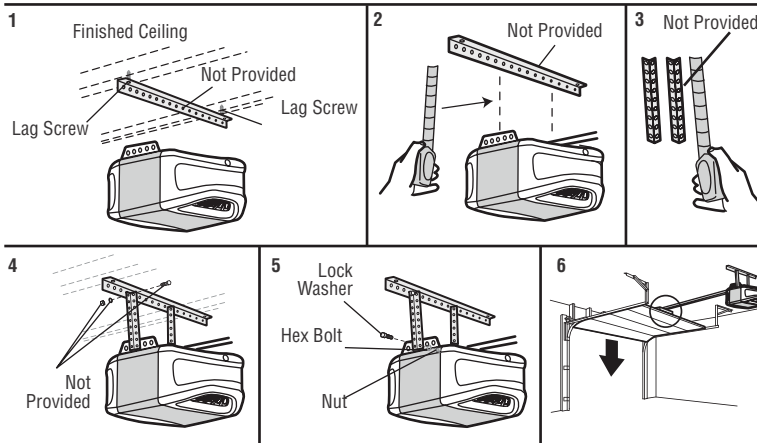
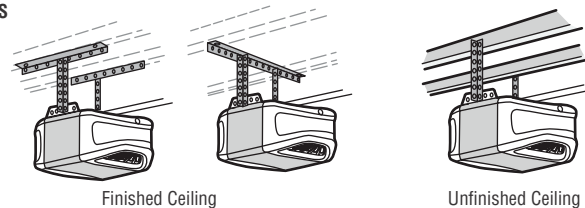
To avoid possible **SERIOUS INJURY** from a falling garage door opener, fasten it **SECURELY** to structural supports of the garage. Concrete anchors **MUST** be used if installing **ANY** brackets into masonry.

Hanging the garage door opener will vary depending on your garage. Below are three example installations. Your installation may be different. For **ALL** installations the garage door opener **MUST** be connected to structural supports.

1. On finished ceilings, use the lag screws to attach a support bracket (not provided) to the structural supports before installing the garage door opener.
2. Make sure the garage door opener is aligned with the header bracket. Measure the distance from each side of the garage door opener to the support bracket.
3. Cut both pieces of the hanging bracket (not provided) to required lengths.
4. Attach the end of each hanging bracket to the support bracket with appropriate hardware (not provided).
5. Attach the garage door opener to the hanging brackets with the hex bolts, lock washers, and nuts.
6. Remove the 2x4 and manually close the door. If the door hits the rail, raise the header bracket.



EXAMPLES



Installation

STEP 6 Install the Light Bulbs

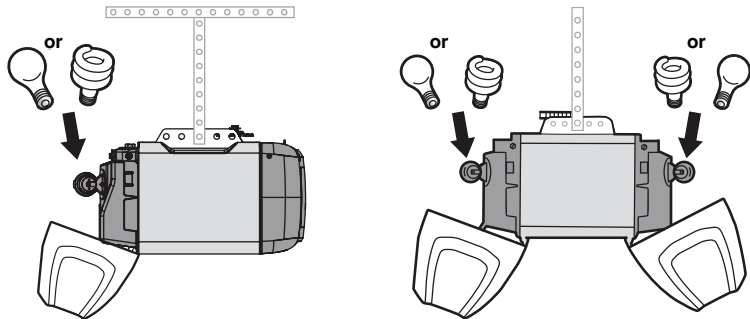
⚠ CAUTION

To prevent possible OVERHEATING of the end panel or light socket:

- Use ONLY A19 light bulbs.
- DO NOT use incandescent bulbs larger than 100W.
- DO NOT use compact fluorescent light bulbs larger than 26W (100W equivalent).
- DO NOT use halogen bulbs.
- DO NOT use short neck or specialty light bulbs.

LED bulbs may cause remote control radio interference. Use ONLY LED bulbs recommended here: chamberlain.com/bulb.

1. Pull light lens down.
2. Insert light bulb.
3. Close light lens.



STEP 7 Attach the Emergency Release Rope and Handle

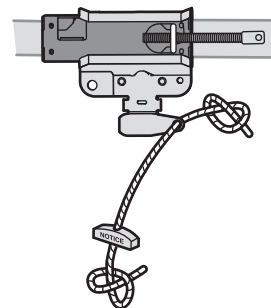
⚠ WARNING

To prevent possible SERIOUS INJURY or DEATH from a falling garage door:

- If possible, use emergency release handle to disengage trolley ONLY when garage door is CLOSED. Weak or broken springs or unbalanced door could result in an open door falling rapidly and/or unexpectedly.
- NEVER use emergency release handle unless garage doorway is clear of persons and obstructions.
- NEVER use handle to pull door open or closed. If rope knot becomes untied, you could fall.

1. Insert one end of the emergency release rope through the handle. Make sure that "NOTICE" is right side up. Secure with an overhand knot at least 1" (2.5 cm) from the end of the rope to prevent slipping.
2. Insert the other end of the emergency release rope through the hole in the trolley release arm. Mount the emergency release within reach, but at least 6 feet (1.83 m) above floor, avoiding contact with vehicles to prevent accidental release and secure with an overhand knot.

NOTE: If it is necessary to cut the emergency release rope, seal the cut end with a match or lighter to prevent unraveling. Ensure the emergency release rope and handle are above the top of all vehicles to avoid entanglement.



Installation

STEP 8 Install the Door Bracket

CAUTION

Fiberglass, aluminum or lightweight steel garage doors **WILL REQUIRE** reinforcement BEFORE installation of door bracket. Contact the garage door manufacturer or installing dealer for opener reinforcement instructions or reinforcement kit. Failure to reinforce the top section as required according to the door manufacturer may void the door warranty.

A horizontal and vertical reinforcement is needed for lightweight garage doors (fiberglass, aluminum, steel, doors with glass panel, etc.) (not provided). A horizontal reinforcement brace should be long enough to be secured to two or three vertical supports. A vertical reinforcement brace should cover the height of the top panel. Contact the garage door manufacturer or installing dealer for opener reinforcement instructions or reinforcement kits.

NOTE: Many door reinforcement kits provide for direct attachment of the clevis pin and door arm. In this case you will not need the door bracket; proceed to the next step.

OPTION A - SECTIONAL DOORS

1. Center the door bracket on the previously marked vertical centerline used for the header bracket installation. Note correct UP placement, as stamped inside bracket.
2. Position the top edge of the bracket 2"-4" (5-10 cm) below the top edge of the door, OR directly below any structural support across the top of the door.
3. Mark, drill holes and install as follows, depending on your door's construction.

Metal or light weight doors using a vertical angle iron brace in the door panel support and the door bracket:

- Drill 3/16" fastening holes. Secure the door bracket using the two 1/4"-14x5/8" self-threading screws. (Figure 1)
- Alternately, use two 5/16"-18x2" bolts, lock washers and nuts (not provided). (Figure 2)

Metal, insulated or light weight factory reinforced doors:

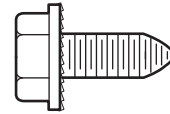
- Drill 3/16" fastening holes. Secure the door bracket using the self-threading screws. (Figure 3)

Wood doors:

- Use top and bottom or side to side door bracket holes. Drill 5/16" holes through the door and secure bracket with 5/16"-18x2" carriage bolts, lock washers and nuts (not provided). (Figure 4)

NOTE: The 1/4"-14x5/8" self-threading screws are not intended for use on wood doors.

HARDWARE



Self-Threading Screw
1/4"-14x5/8"

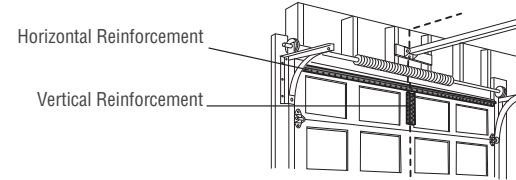


FIGURE 1

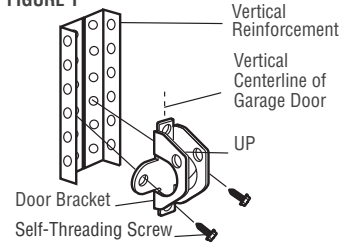


FIGURE 2

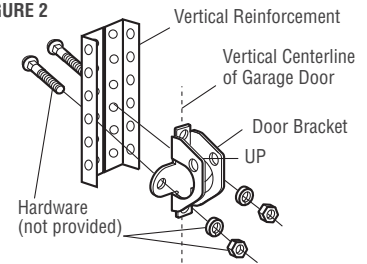


FIGURE 3

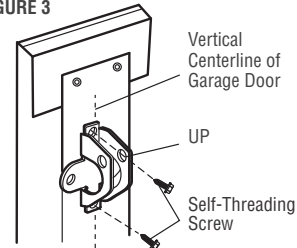
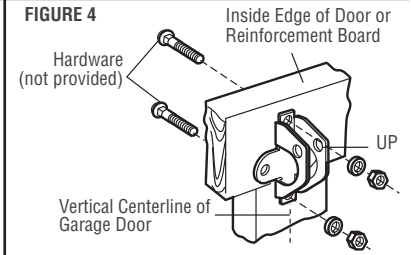


FIGURE 4



Installation

STEP 8 Install the Door Bracket (continued)

OPTION B - ONE-PIECE DOORS

1. Center the door bracket on the top of the door, in line with the header bracket as shown.
2. Mark either the left and right, or the top and bottom holes.

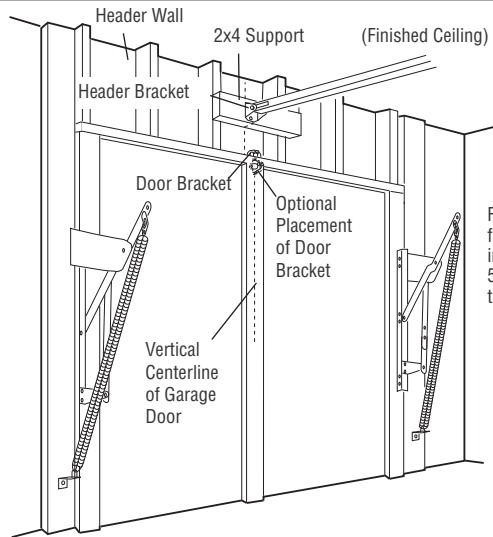
Metal Doors:

- Drill 3/16" pilot holes and fasten the bracket with the self-threading screws provided.

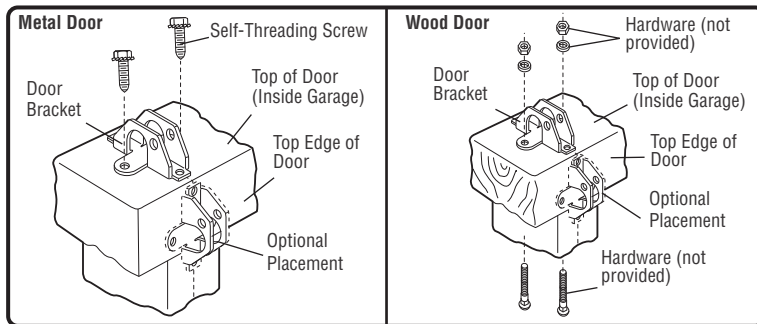
Wood Doors:

- Drill 5/16" holes and use 5/16"-18x2" carriage bolts, lock washers and nuts (not provided) or 5/16"x1-1/2" lag screws (not provided) depending on your installation needs.

NOTE: The door bracket may be installed on the top edge of the door if required for your installation. (Refer to the dotted line optional placement drawing.)



For a door with no exposed framing, or for the optional installation, use lag screws 5/16"x1-1/2" (not provided) to fasten the door bracket.



Installation

STEP 9 Connect the Door Arm to the Trolley

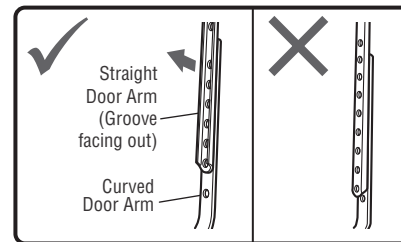
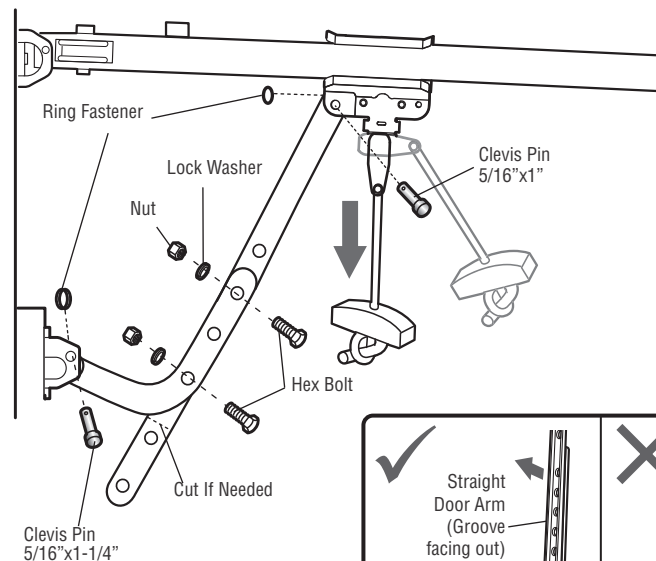
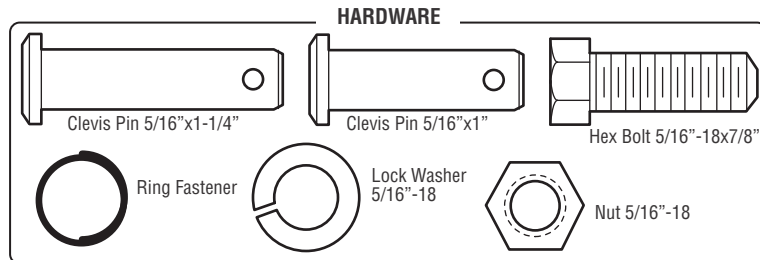
Installation will vary according to the garage door type. Follow the instructions which apply to your door.

OPTION A - SECTIONAL DOORS

IMPORTANT: The groove on the straight door arm **MUST** face away from the curved door arm.

1. Close the door. Disconnect the trolley by pulling the emergency release handle.
2. Attach the straight door arm to the outer trolley using the clevis pin. Secure with the ring fastener.
3. Attach the curved door arm to the door bracket using the clevis pin. Secure with the ring fastener.
4. Bring arm sections together. Find two pairs of holes that line up and join sections. Select holes as far apart as possible to increase door arm rigidity and attach using the bolts, nuts, and lock washers.
5. Pull the emergency release handle toward the garage door opener until the trolley release arm is horizontal. The trolley will re-engage automatically when the garage door opener is activated.

NOTE: If the holes in the curved door arm and the straight door arm do not align, reverse the straight door arm, select two holes (as far apart as possible) and attach using bolts, nuts, and lock washers. If the straight door arm is hanging down too far, you may cut 6" (15 cm) from the solid end.



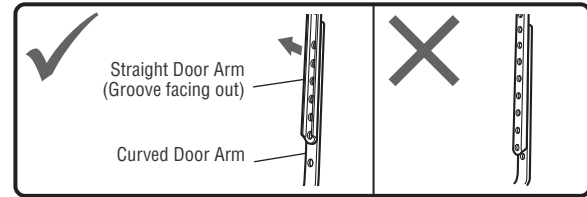
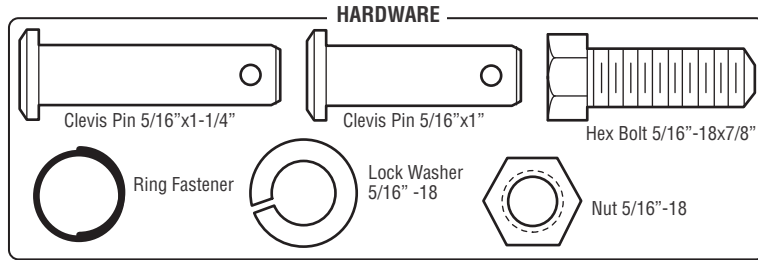
Installation

STEP 9 Connect the Door Arm to the Trolley (continued)

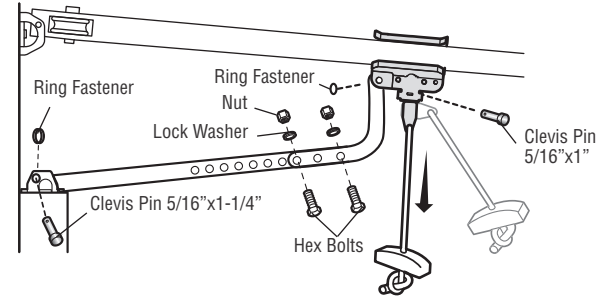
OPTION B - ONE-PIECE DOORS

IMPORTANT: The groove on the straight door arm **MUST** face away from the curved door arm.

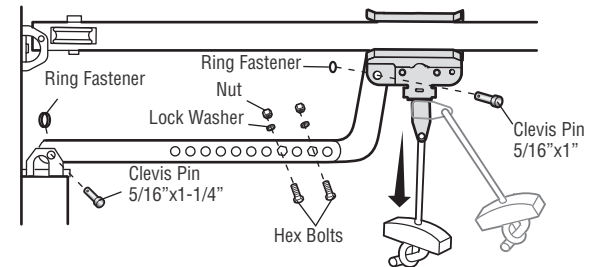
1. Close the door. Disconnect the trolley by pulling the emergency release handle.
2. Fasten the straight door arm and the curved door arm together to the longest possible length (with a 2 or 3 hole overlap) using the bolts, nuts, and lock washers.
3. Attach the straight door arm to the door bracket using the clevis pin. Secure with the ring fastener.
4. Attach the curved door arm to the trolley using the clevis pin. Secure with the ring fastener.
5. Pull the emergency release handle toward the garage door opener until the trolley release arm is horizontal.



One-Piece Door without Track



One-Piece Door with Track



Installation

STEP 10 Install the Door Control

PUSH BUTTON DOOR CONTROL

⚠️ ⚡ WARNING

To prevent possible SERIOUS INJURY or DEATH from electrocution:

- Be sure power is NOT connected BEFORE installing door control.
- Connect door control ONLY to 12 VOLT low voltage wires.

To prevent possible SERIOUS INJURY or DEATH from a closing garage door:

- Install door control within sight of garage door, out of reach of small children at a minimum height of 5 feet (1.5 m) above floors, landings, steps or any other adjacent walking surface, and away from ALL moving parts of door.
- NEVER permit children to operate or play with door control push buttons or remote control transmitters.
- Activate door ONLY when it can be seen clearly, is properly adjusted, and there are no obstructions to door travel.
- ALWAYS keep garage door in sight until completely closed. NEVER permit anyone to cross path of closing garage door.

INTRODUCTION

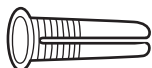
Install the door control within sight of the door at a minimum height of 5 feet (1.5 m) above floors, landings, steps or any other adjacent walking surface, where small children cannot reach, and away from the moving parts of the door.

NOTE: Your product may look different than the illustrations.

HARDWARE



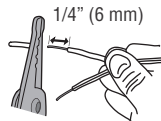
Screw 6ABx1-1/2" (2)



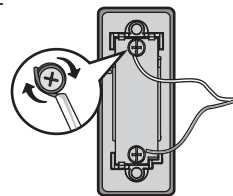
Drywall Anchors (2)

1. Strip 1/4" (6 mm) of insulation from one end of the wire and separate the wires.
2. Connect one wire to each of the two screws on the back of the door control. The wires can be connected to either screw.
3. Mount the door control with the hardware provided.

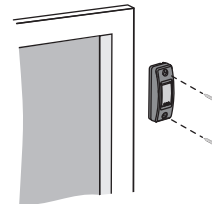
1



2



3



Installation

MULTI-FUNCTION CONTROL PANEL

WARNING

To prevent possible **SERIOUS INJURY** or **DEATH** from electrocution:

- Be sure power is **NOT** connected **BEFORE** installing door control.
- Connect door control **ONLY** to 12 VOLT low voltage wires.

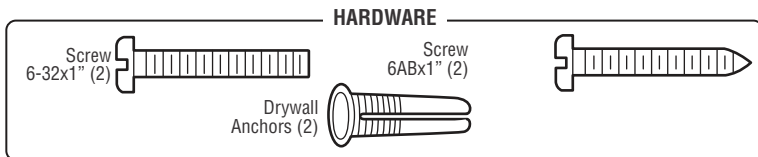
To prevent possible **SERIOUS INJURY** or **DEATH** from a closing garage door:

- Install door control within sight of garage door, out of reach of small children at a minimum height of 5 feet (1.5 m) above floors, landings, steps or any other adjacent walking surface, and away from **ALL** moving parts of door.
- **NEVER** permit children to operate or play with door control push buttons or remote control transmitters.
- Activate door **ONLY** when it can be seen clearly, is properly adjusted, and there are no obstructions to door travel.
- **ALWAYS** keep garage door in sight until completely closed. **NEVER** permit anyone to cross path of closing garage door.

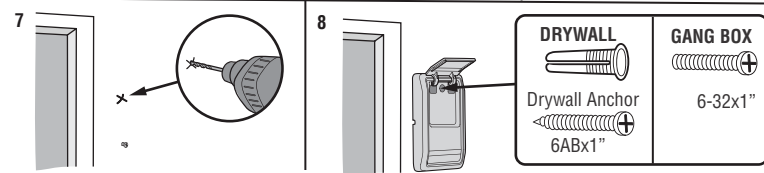
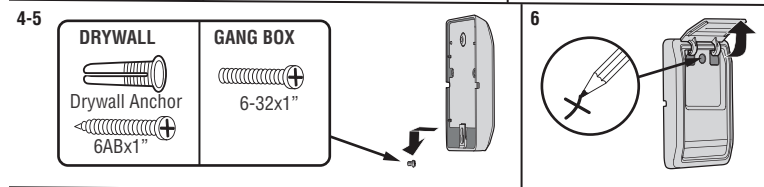
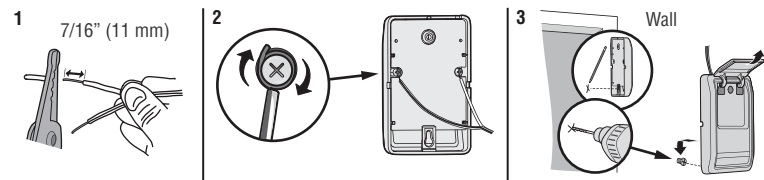
INTRODUCTION

Older Chamberlain door controls and third party products are not compatible. Install door control within sight of garage door, out of reach of small children at a minimum height of 5 feet (1.5 m) above floors, landings, steps or any other adjacent walking surface, and away from **ALL** moving parts of door. For gang box installations it is not necessary to drill holes or install the drywall anchors. Use the existing holes in the gang box.

NOTE: Your product may look different than the illustrations.



1. Strip 7/16" (11 mm) of insulation from one end of the wire and separate the wires.
2. Connect one wire to each of the two screws on the back of the door control. The wires can be connected to either screw. If your garage is pre-wired for the door control choose any two wires to connect, note which wires are used so the correct wires are connected to the garage door opener in a later step.
3. Mark the location of the bottom mounting hole and drill a 5/32" hole.
4. Install the bottom screw, allowing 1/8" (3 mm) to protrude from the wall.
5. Position the bottom hole of the door control over the screw and slide down into place.
6. Lift the push bar up and mark the top hole.
7. Remove the door control from the wall and drill a 5/32" hole for the top screw.
8. Position the bottom hole of the door control over the screw and slide down into place. Attach the top screw.



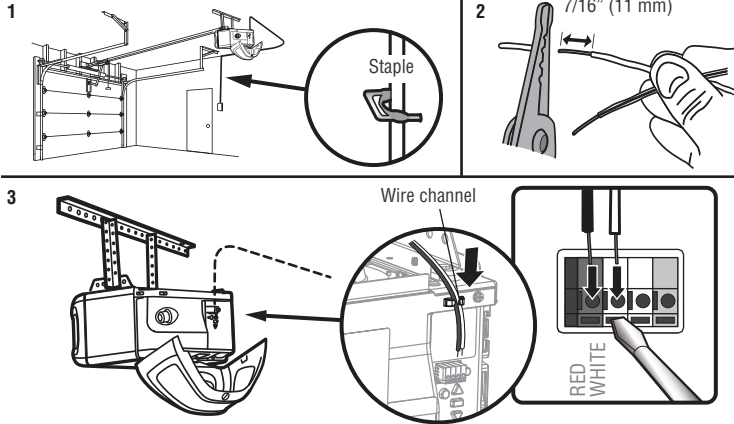
Installation

STEP 11 Wire the Door Control to the Garage Door Opener

1. Run the white and red/white wire from the door control to the garage door opener. Attach the wire to the wall and ceiling with the staple (not applicable for gang box or pre-wired installations). Do not pierce the wire with the staple as this may cause a short or an open circuit.
2. Strip 7/16" (11 mm) of insulation from the end of the wire near the garage door opener.
3. Connect the wire to the red and white terminals on the garage door opener. If your garage is pre-wired make sure you use the same wires that are connected to the door control. To insert or release wires from the terminal, push in the tab with screwdriver tip.

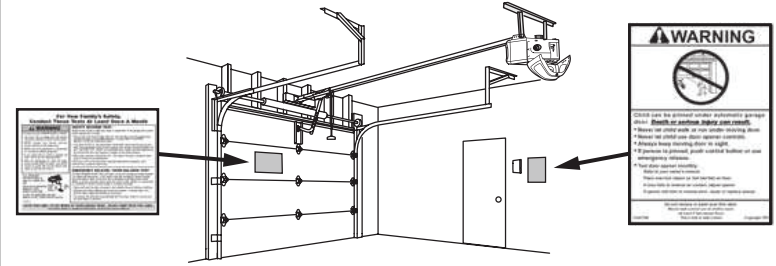
HARDWARE

Insulated Staple (Not Shown)



STEP 12 Attach the Warning Labels

1. Attach the entrapment warning label on the wall near the door control with tacks or staples.
2. Attach the manual release/safety reverse test label in a visible location on the inside of the garage door.



Installation

STEP 13 Install the Protector System®

WARNING

Be sure power is NOT connected to the garage door opener BEFORE installing the safety reversing sensor. To prevent **SERIOUS INJURY** or **DEATH** from closing garage door:

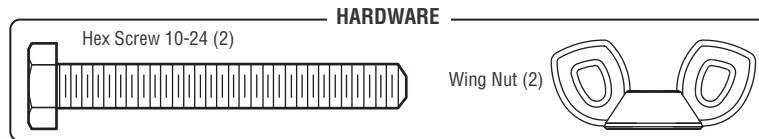
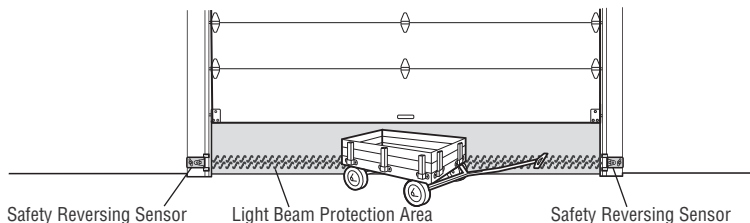
- Correctly connect and align the safety reversing sensor. This required safety device **MUST NOT** be disabled.
- Install the safety reversing sensor so beam is **NO HIGHER** than 6" (15 cm) above garage floor.

IMPORTANT: The safety reversing sensors MUST be connected and aligned correctly before the garage door opener will move in the down direction.

The Protector System® includes two safety reversing sensors which use a light beam to prevent the garage door from closing. The sending sensor (amber LED) transmits the beam to the receiving sensor (green LED) when both are powered and aligned. If an obstruction breaks the light beam while the door is closing, the door will stop, and reverse to the full open position.

When installing the safety reversing sensors, check:

- Sensors are installed **INSIDE** the garage.
- Sensor lenses are facing each other. **IMPORTANT: Do not allow direct sunlight to the receiving sensor (green LED).**
- Sensor beam is **NO HIGHER** than 6" (15 cm) above the floor and the light beam is unobstructed.

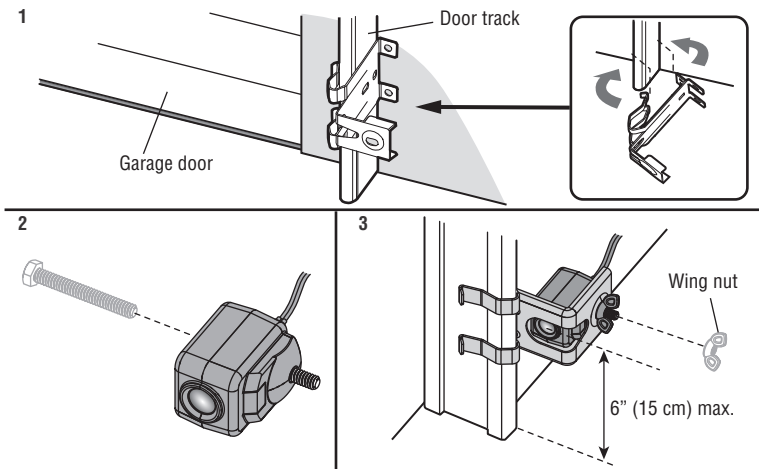


The safety reversing sensors are designed to clip onto the door track with the provided sensor brackets. If the door track will not support the sensor bracket a wall installation is recommended. The sensor beam should be **NO HIGHER** than 6" (15 cm) above the floor.

DOOR TRACK INSTALLATION

1. Slide the curved arms of the sensor bracket around the edge of the door track. Snap into place so that the sensor bracket is flush against the track.
2. Slide the hex screw through the sensor.
3. Attach the sensor to the bracket with the wing nut. Make sure the lens is not obstructed by the bracket.

Repeat the steps with the other sensor on the opposite door track. Both lenses must face each other.



Installation

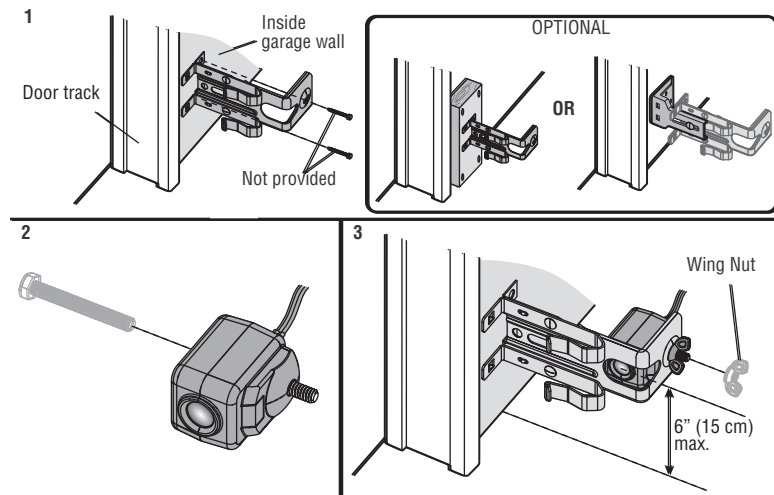
STEP 13 Install the Protector System (continued)

WALL OPTION

Make sure the brackets on each side are clear of the door track and have the same amount of clearance so the sensors will align correctly. If additional clearance is needed, use extension brackets 041A5281-1 (not provided) or wood blocks.

1. Attach the sensor bracket against the wall with two lag screws (not provided).
2. Slide the hex screw through the sensor.
3. Attach the sensor to the bracket with the wing nut. Make sure the lens is not obstructed by the bracket.

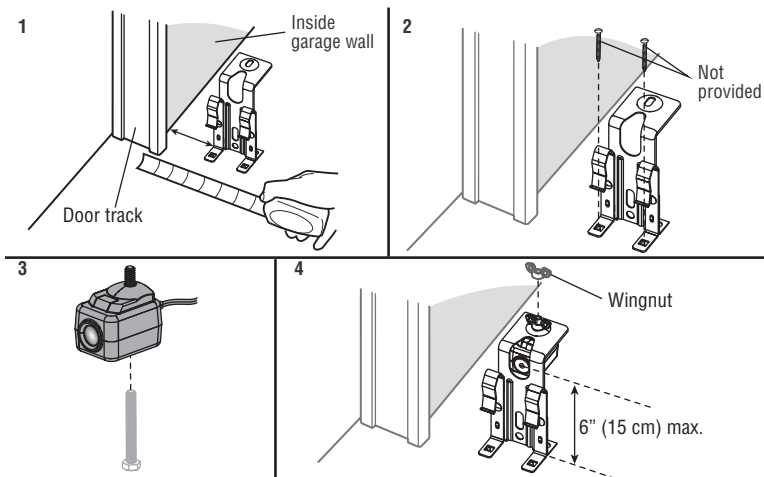
Repeat the steps with the other sensor on the opposite side of the garage door. Both lenses must face each other.



FLOOR OPTION

1. Measure the position of both sensor brackets so they will be the same distance from the wall and not obstructed.
2. Attach the bracket to the floor with concrete anchors (not provided).
3. Slide the hex screw through the sensor.
4. Attach the sensor to the bracket with the wing nut. Make sure the lens is not obstructed by the bracket.

Repeat the steps with the other sensor on the opposite side of the garage door. Both lenses must face each other.



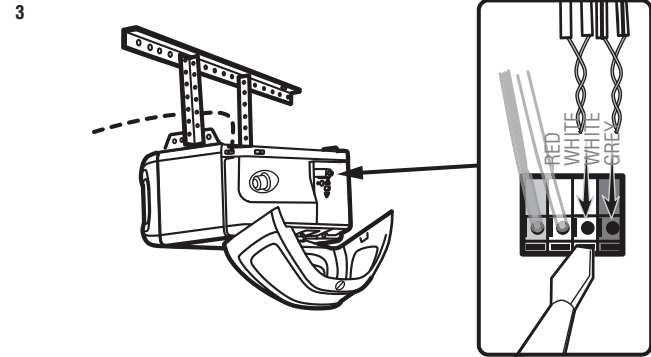
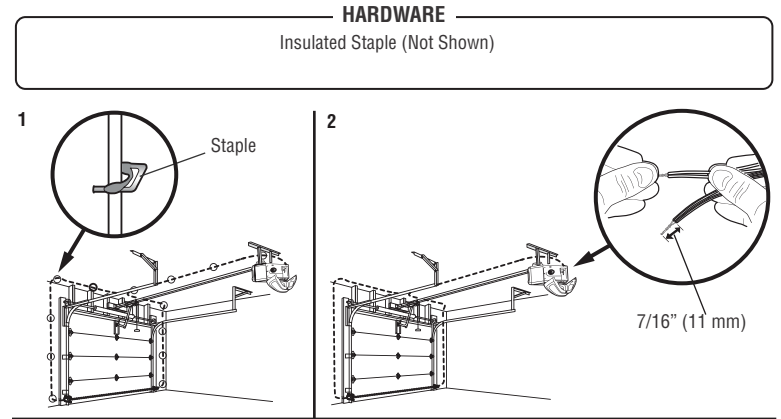
Installation

STEP 14 Wire the Safety Reversing Sensors

If your garage has pre-installed wiring for the safety reversing sensors, see OPTION B - PRE-WIRED INSTALLATION page 29.

OPTION A - INSTALLATION WITH NO PRE-WIRING

1. Run the wire from both sensors to the garage door opener. Attach with staples, but DO NOT puncture the wire.
2. Separate the sensor wires and strip insulation from each end. Twist the two white wires together. Then twist the two white/black wires together.
3. Using a screwdriver, push in the terminal tabs, and insert the white wires into the white terminal. Insert the white/black wires into the grey terminal.

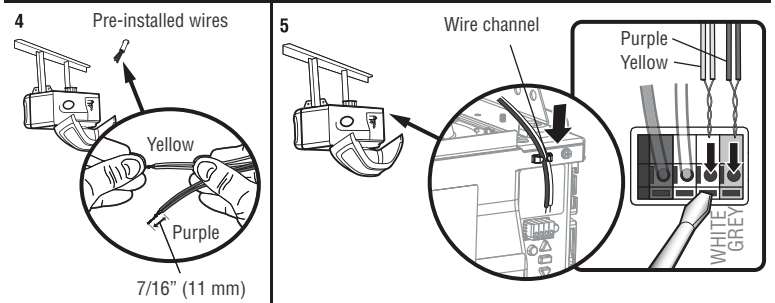
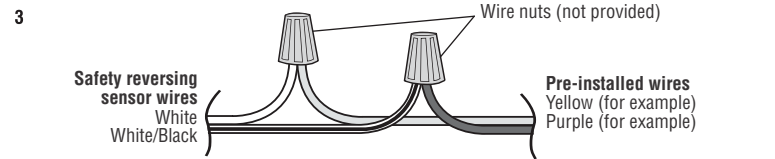
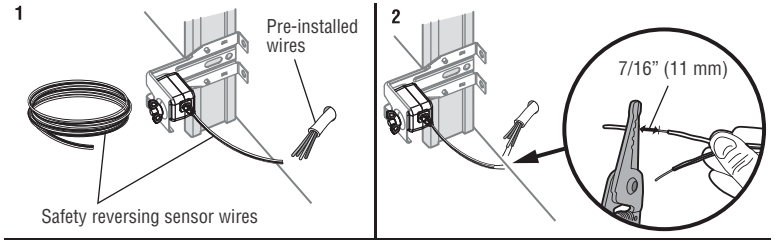


Installation

STEP 14 Wire the Safety Reversing Sensors (continued)

OPTION A - PRE-WIRED INSTALLATION

1. Cut the sensor wires, making sure there is enough wire to reach the pre-installed wires from the wall.
2. Separate the sensor wires and strip insulation from each end. Choose two of the pre-installed wires and strip insulation from each end. Choose the same color pre-installed wires for each sensor.
3. Connect the pre-installed wires to the sensor wires with wire nuts making sure the colors correspond for each sensor.
4. At the garage door opener, strip the end of the wires previously connected to the sensors. Twist the like-colored wires together.
5. Using a screwdriver, push in the terminal tabs, and insert the wire color connected to the sensor's white wire into the white terminal. Insert the other wire color connected to the sensor's white/black wire into the grey terminal.



Installation

STEP 15 Connect Power

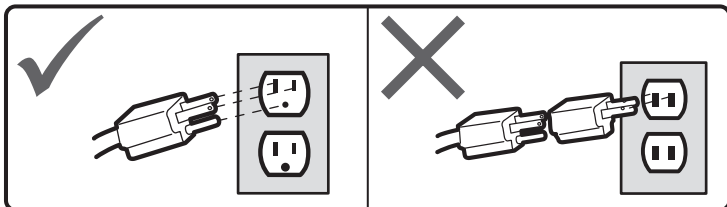
WARNING

To prevent possible **SERIOUS INJURY** or **DEATH** from electrocution or fire:

- Be sure power is **NOT** connected to the opener, and disconnect power to circuit **BEFORE** removing cover to establish permanent wiring connection.
- Garage door installation and wiring **MUST** be in compliance with **ALL** local electrical and building codes.
- **NEVER** use an extension cord, 2-wire adapter, or change plug in **ANY** way to make it fit outlet. Be sure the opener is grounded.

To avoid installation difficulties, do not run the opener at this time.

To reduce the risk of electric shock, your garage door opener has a grounding type plug with a third grounding pin. This plug will only fit into a grounding type outlet. If the plug doesn't fit into the outlet you have, contact a qualified electrician to install the proper outlet.



THERE ARE TWO OPTIONS FOR CONNECTING POWER:

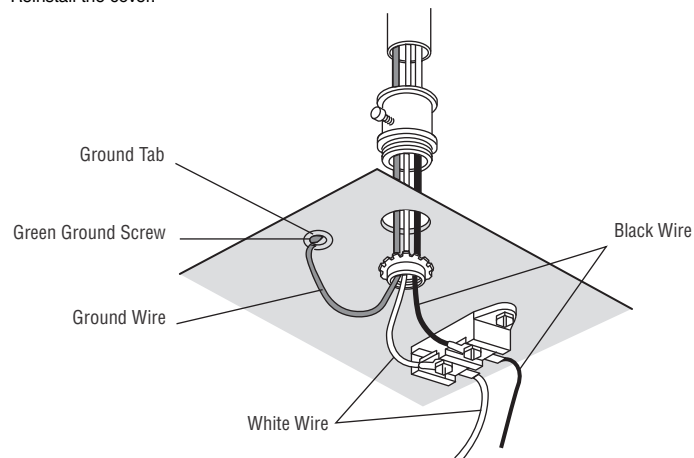
OPTION A - TYPICAL WIRING

1. Plug in the garage door opener into a grounded outlet.
2. **DO NOT** run garage door opener at this time.

OPTION B - PERMANENT WIRING

If permanent wiring is required by your local code, refer to the following procedure. To make a permanent connection through the 7/8-inch hole in the top of the motor unit (according to local code):

1. Remove the motor unit cover screws and set the cover aside.
2. Remove the attached 3-prong cord.
3. Connect the black (line) wire to the screw on the brass terminal; the white (neutral) wire to the screw on the silver terminal; and the ground wire to the green ground screw. The opener must be grounded.
4. Reinstall the cover.

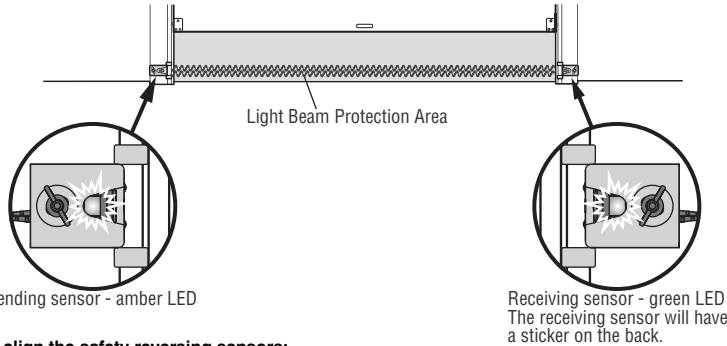


Installation

STEP 16 Align the Safety Reversing Sensors

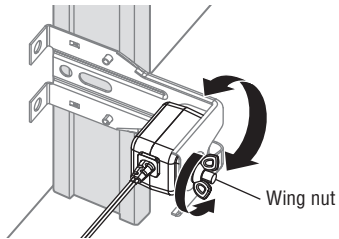
IMPORTANT: The safety reversing sensors **MUST** be connected and aligned correctly before the garage door opener will move in the down direction.

When the garage door opener has power, check the safety reversing sensors. If the sensors are aligned and wired correctly, both LEDs will glow steadily.



To align the safety reversing sensors:

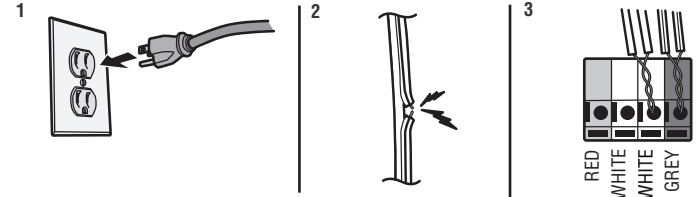
1. Loosen the wing nuts.
2. Adjust the sensors up or down until both LEDs glow steady indicating alignment.
3. Tighten the wing nut to secure the sensor.



SAFETY SENSOR TROUBLESHOOTING

If either of the sensor LEDs are off, there is no power to the sensor:

1. Check that you have power to the garage door opener.
2. Check the sensor wire is not shorted or broken.
3. Check that the sensors are wired correctly; white wires to white terminal and white/black wires to grey terminal.



If the green receiving sensor LED is blinking, the sensors are obstructed or misaligned:

1. Check for obstructions in the sensor light beam.
2. Align the sensors.
3. If the receiving sensor (green LED) faces direct sunlight, switch the receiving sensor with the sending sensor and repeat STEP 12 Install the Protector System® page 27 to assure proper operation.

STEP 17 Ensure the Door Control is Wired Correctly

If the door control has been installed and wired correctly, the command LED on the control panel will blink or the LED behind the push button will blink if installed correctly.

Adjustments

Introduction

WARNING

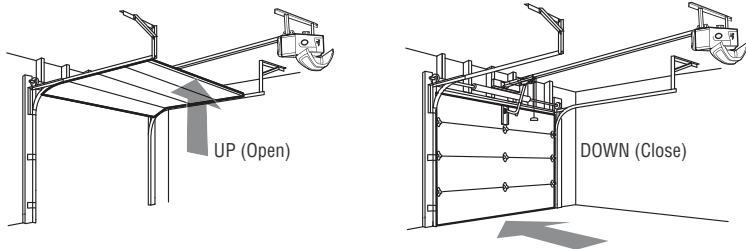
Without a properly installed safety reversal system, persons (particularly small children) could be **SERIOUSLY INJURED** or **KILLED** by a closing garage door.

- Incorrect adjustment of garage door travel limits will interfere with proper operation of safety reversal system.
- After ANY adjustments are made, the safety reversal system **MUST** be tested. Door **MUST** reverse on contact with 1-1/2" (3.8 cm) high object (or 2x4 laid flat) on floor.

CAUTION

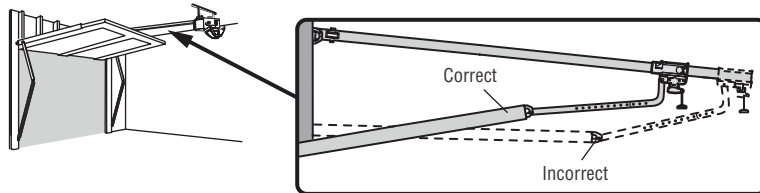
To prevent damage to vehicles, be sure fully open door provides adequate clearance.

Your garage door opener is designed with electronic controls to make setup and adjustments easy.



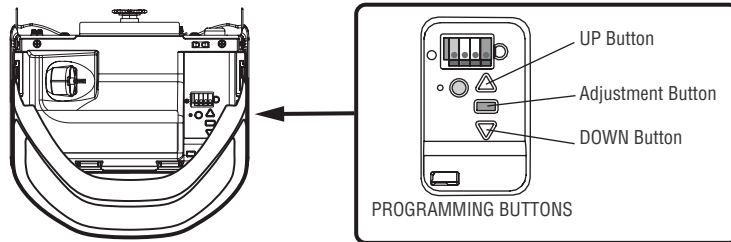
ONE-PIECE DOORS ONLY

When setting the UP travel for a one-piece door ensure that the door does not slant backwards when fully open (UP). If the door is slanted backwards this will cause unnecessary bucking and/or jerking when the door is opening or closing.



PROGRAMMING BUTTONS

The programming buttons are located on the left side panel of the garage door opener and are used to program the travel. While programming, the UP and DOWN buttons can be used to move the door as needed.



Adjustments

1 Program the Travel

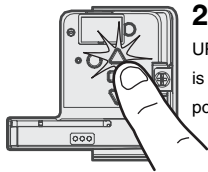
WARNING

Without a properly installed safety reversal system, persons (particularly small children) could be SERIOUSLY INJURED or KILLED by a closing garage door.

- Incorrect adjustment of garage door travel limits will interfere with proper operation of safety reversal system.
- After ANY adjustments are made, the safety reversal system MUST be tested. Door MUST reverse on contact with 1-1/2" (3.8 cm) high object (or 2x4 laid flat) on floor.

Note: While programming, the UP and DOWN buttons can be used to move the door as needed.

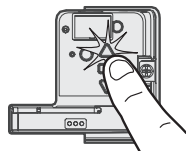
1 Press and hold the Adjustment Button until the UP Button begins to flash and/or a beep is heard. The Safety Reversing Sensors will be disconnected during the Program the Travel process.



2 Press and hold the UP Button until the door is in the desired UP position.



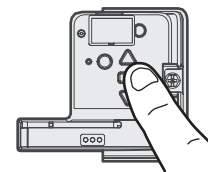
3 Once the door is in the desired UP position press and release the Adjustment Button. The garage door opener lights will flash twice and the DOWN Button will begin to flash.



4 Press and hold the DOWN Button until the door is in the desired DOWN position.



5 Once the door is in the desired DOWN position press and release the Adjustment Button. The garage door opener lights will flash twice. Program the Travel is now complete. If the garage door opener lights flash 5 times, then programming has timed out and the Travel Limits have not been set. Please restart the Program the Travel process.



2 Automatic Force Set Up

Once both the up and down positions have been manually set, the Safety Reversing Sensors will reconnect and become operational. Then, the opener will enter a force-sensing operation by automatically moving the door to open and close. The garage door opener will sound an audible and visual alert before automatically opening and closing the door. The garage door opener will beep three times, confirming that the Automatic Force Setup completed successfully. Adjustment is complete.

If you hear one long beep after the door attempts to move, then the Automatic Force Set Up has not completed successfully. Please start over at step 1 of Program the Travel.



Adjustments

3 Test the Safety Reversal System

WARNING

Without a properly installed safety reversal system, persons (particularly small children) could be **SERIOUSLY INJURED** or **KILLED** by a closing garage door.

- Safety reversal system **MUST** be tested every month.
- After **ANY** adjustments are made, the safety reversal system **MUST** be tested. Door **MUST** reverse on contact with 1-1/2" (3.8 cm) high object (or 2x4 laid flat) on the floor.

- 1** With the door fully open, place a 1-1/2 inch (3.8 cm) board (or a 2x4 laid flat) on the floor, centered under the garage door.



- 2** With the door fully open, place a 1-1/2 inch (3.8 cm) board (or a 2x4 laid flat) on the floor, centered under the garage door.



If the door stops but does not reverse:

1. Repeat Program the Travel (see Adjustment Step 1);
2. Repeat the Safety Reversal test.

If the test continues to fail, call a trained door systems technician.

4 Test the Protector System®

WARNING

Without a properly installed safety reversing sensor, persons (particularly small children) could be **SERIOUSLY INJURED** or **KILLED** by a closing garage door.

- 1** Open the door. Place an obstruction in the path of the door.



- 2** Press the remote control push button to close the door. The door will not move more than an inch (2.5 cm).



The garage door opener will not close from a remote control if the LED in either safety reversing sensor is off (alerting you to the fact that the sensor is misaligned or obstructed).

If the garage door opener closes the door when the safety reversing sensor is obstructed (and the sensors are no more than 6 inches [15 cm] above the floor), call for a trained door systems technician.

myQ® App Control

Connect With Your Smartphone*

YOU WILL NEED:

- Wi-Fi® enabled smartphone, tablet or laptop
- Broadband Internet connection
- Wi-Fi® signal in the garage (2.4 GHz, 802.11b/g/n required), see page 5
- Password for your home network (router's main account, not guest network)
- myQ® serial number located on the garage door opener

DOWNLOAD THE myQ® APP TO SET UP AN ACCOUNT AND CONNECT

Open and close your door, get alerts and set schedules from anywhere. Connected smart garage door openers also receive software updates to ensure the opener has the latest operational features.

The garage door opener must run through a complete cycle before it will activate Wi-Fi® programming.

1. Download the myQ® App.
2. Set up an account and connect.

If you already have the myQ® App installed:

1. Check that your mobile device has the latest software.
2. Download the latest version of the myQ® App.



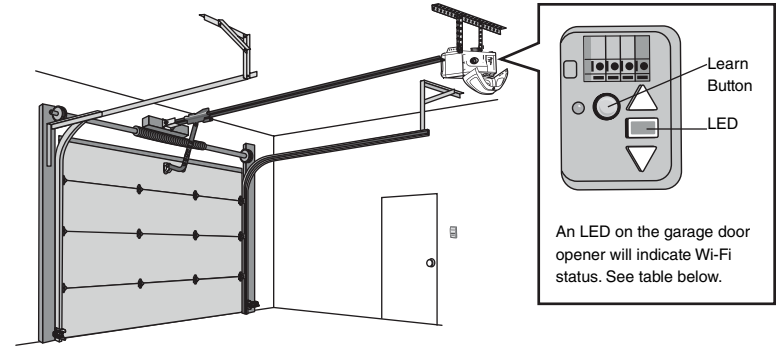
For more information on connecting your garage door opener, visit support.chamberlaingroup.com.

NOTES:

To erase the Wi-Fi® settings from the opener, see page 39.

Google Play and the Google Play logo are trademarks of Google LLC.
App Store and the Apple and App Store logos are trademarks of Apple Inc.

*Smartphone control is not available on models C2102C and D2101C.



Wi-Fi Status	
LED	Definition
Blue	Off - Wi-Fi® is not turned on. Blinking - Garage door opener is in Wi-Fi® learn mode. Solid - Mobile device connected to the garage door opener.
Blue and Green	Blinking - Attempting to connect to router.
Green	Blinking - Attempting to connect to the Internet server. Solid - Wi-Fi® has been set up and garage door opener is connected to the Internet.

IMPORTANT SAFETY INSTRUCTIONS

WARNING

To reduce the risk of **SEVERE INJURY** or **DEATH**:

1. READ AND FOLLOW ALL WARNINGS AND INSTRUCTIONS.
2. ALWAYS keep remote controls out of reach of children. NEVER permit children to operate or play with garage door control push buttons or remote controls.
3. ONLY activate garage door when it can be seen clearly, it is properly adjusted, and there are no obstructions to door travel.
4. ALWAYS keep garage door in sight and away from people and objects until completely closed. NO ONE SHOULD CROSS THE PATH OF THE MOVING DOOR.
5. NO ONE SHOULD GO UNDER A STOPPED, PARTIALLY OPENED DOOR.
6. If possible, use emergency release handle to disengage trolley ONLY when garage door is CLOSED. Use caution when using this release with the door open. Weak or broken springs or unbalanced door could result in an open door falling rapidly and/or unexpectedly and increasing the risk of SEVERE INJURY or DEATH.
7. NEVER use emergency release handle unless garage doorway is clear of persons and obstructions.
8. NEVER use handle to pull garage door open or closed. If rope knot becomes untied, you could fall.
9. After ANY adjustments are made, the safety reversal system MUST be tested.
10. Safety reversal system MUST be tested every month. Garage door MUST reverse on contact with 1-1/2" (3.8 cm) high object (or a 2x4 laid flat) on the floor. Failure to adjust the garage door opener properly increases the risk of SEVERE INJURY or DEATH.
11. ALWAYS KEEP GARAGE DOOR PROPERLY BALANCED (see page 3). An improperly balanced door may NOT reverse when required and could result in SEVERE INJURY or DEATH.
12. ALL repairs to cables, spring assemblies and other hardware, ALL of which are under EXTREME tension, MUST be made by a trained door systems technician.
13. ALWAYS disconnect electric power to garage door opener BEFORE making ANY repairs or removing covers.
14. This operator system is equipped with an unattended operation feature. The door could move unexpectedly. NO ONE SHOULD CROSS THE PATH OF THE MOVING DOOR.
15. DO NOT install on a one-piece door if using devices or features providing unattended close. Unattended devices and features are to be used ONLY with sectional doors.

16. SAVE THESE INSTRUCTIONS.

Using your Garage Door Opener

The garage door opener can be activated through a wall-mounted door control, remote control, wireless keyless entry or myQ® App.

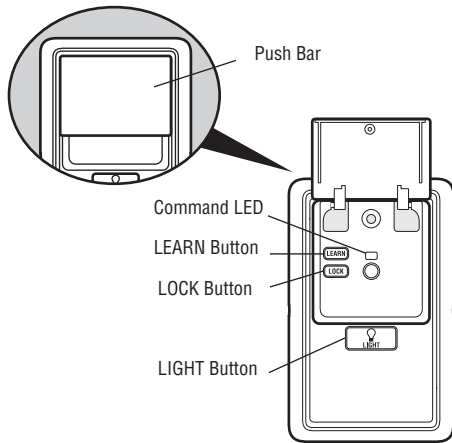
When the door is closed and the garage door opener is activated the door will open. If the door makes contact with an obstruction while opening, the door will stop, opener beeps and lights flash 5 times. When the door is in any position other than closed and the garage door opener is activated, the door will close. If the garage door makes contact with an obstruction while closing, the door will reverse, opener beeps and lights flash 5 times. However, you can close the door if you hold the button on the door control or keyless entry until the door is fully closed.

The safety reversing sensors do not affect the opening cycle. The safety reversing sensor must be connected and aligned correctly before the garage door opener will move in the down direction.

The garage door opener lights will turn on when the opener is initially plugged in, the opener is activated, or power is restored after interruption. The garage door opener lights automatically turn off after a set length of time. To adjust the light settings, see *Using your Door Control*.

Operation

Using your Door Control MULTI-FUNCTION CONTROL PANEL



SYNCHRONIZE THE DOOR CONTROL: To synchronize the door control to the garage door opener, press the push bar until the garage door opener activates (it may take up to 3 presses). Test the door control by pressing the push bar; each press of the push bar will activate the garage door opener.
PUSH BAR: Press the push bar to open or close the door.
LEARN BUTTON: Use to program compatible remote controls, wireless keyless entries and myQ® devices to the garage door opener.

LOCK: Prevents remote controls from working, while still allowing activation from the door control and keyless entry. (Factory setting is OFF.)

Turn ON:

Press and hold the LOCK button for 2 seconds. The command LED will flash as long as the lock feature is on.

Turn OFF:

Press and hold the LOCK button for 2 seconds. The command LED will stop flashing and normal operation will resume.

LIGHT BUTTON: Turns the garage door opener lights on or off when pressed. Lights stay on for 4-1/2 minutes (factory setting). The LIGHT button will not control the lights when the door is in motion.

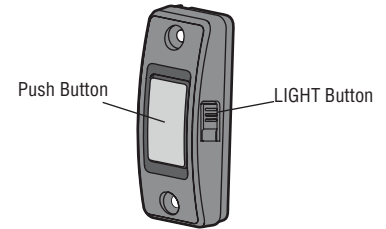
To change the amount of time the lights stay on:

Press and hold the LOCK button (approximately 10 seconds) until the garage door opener lights flash. The time interval is indicated by the number of times the garage door opener lights flash:

- 1 flash is 1-1/2 minutes
- 2 flashes is 2-1/2 minutes
- 3 flashes is 3-1/2 minutes
- 4 flashes is 4-1/2 minutes

To cycle through the time intervals repeat the step above. If the push bar LED is continuously blinking, the LOCK feature needs to be turned off.

PUSH BUTTON DOOR CONTROL



SYNCHRONIZE THE DOOR CONTROL: To synchronize the door control to the garage door opener, press the push button until the garage door opener activates (it may take up to 3 presses).

PUSH BUTTON: Press the LIGHT button to turn the garage door opener lights on or off. When the lights are turned on they will stay on until the LIGHT button is pressed again, or until the garage door opener is activated. Once the garage door opener is activated the lights will turn off after the specified period of time (the factory setting is 4-1/2 minutes). The LIGHT button will not control the lights when the door is in motion.

Operation

Remote Control and Keyless Entry

PRE-PROGRAMMED REMOTE CONTROL INCLUDED, NO NEED TO PROGRAM THE REMOTE.

To add or reprogram a remote control, follow the instructions below. Older Chamberlain remote controls are NOT compatible.

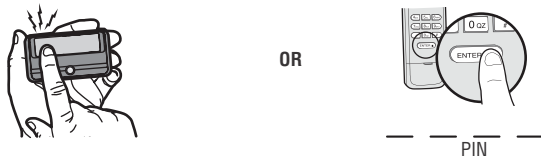
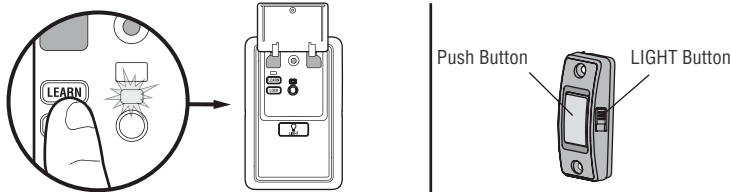
PROGRAM USING THE MULTI-FUNCTION CONTROL PANEL

1. Press the LEARN button on the door control to enter programming mode. The command LED will flash once.
2. Press the LEARN button again, the command LED will flash once again.
3. **Remote Control:** Press the button on the remote control that you wish to operate your garage door.
Keyless Entry: Enter a 4-digit personal identification number (PIN) of your choice on the keyless entry keypad. Then press the ENTER button.

PROGRAM USING THE PUSH BUTTON DOOR CONTROL

1. Press and hold the light button and the push button until the push button LED begins to blink.
2. **Remote control:** Press the button on the remote control that you wish to operate your garage door.

Keyless entry: Enter a 4-digit personal identification number (PIN) of your choice on the keyless entry keypad. Then press the ENTER button.

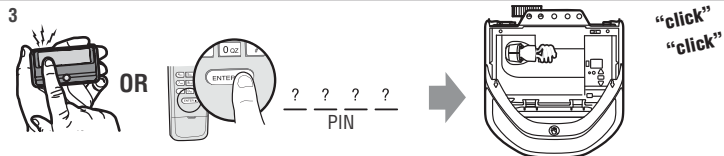
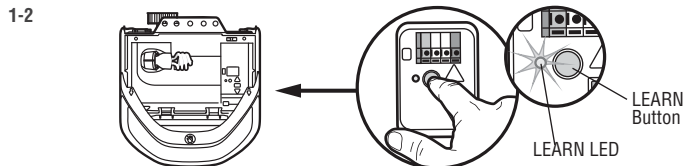


The garage door opener lights will flash (or two clicks will be heard) when the code has been programmed. Repeat the steps for programming additional remote controls or keyless entry devices. If programming is unsuccessful, follow the steps to program using the garage door opener LEARN button.

PROGRAM USING THE GARAGE DOOR OPENER LEARN BUTTON

1. Locate the LEARN Button.
2. Press and immediately release the LEARN button. The LEARN LED will glow steady for 30 seconds. Within 30 seconds...
3. **Remote Control:** Press and hold the button on the remote control that you wish to use. **Keyless Entry:** Enter a 4-digit personal identification number (PIN) of your choice on the keyless entry keypad. Then press and hold the ENTER button.

Release the button when the garage door opener lights blink or two clicks are heard.



HomeLink®

If your vehicle is equipped with HomeLink®, a Compatibility Bridge™ (not included) may be necessary for certain vehicles. Visit bridge.chamberlain.com to find out if a Bridge is needed.

Operation

Erase the Memory

ERASE ALL REMOTE CONTROLS AND KEYLESS ENTRIES

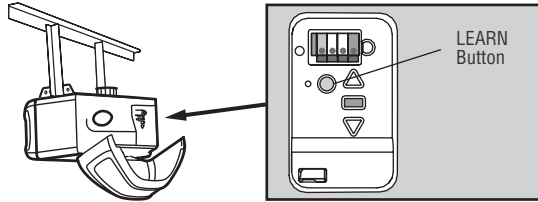
1. Press and hold the LEARN button on garage door opener until the learn LED goes out (approximately 6 seconds). All remote control and keyless entry codes are now erased. Reprogram any accessory you wish to use.

ERASE ALL DEVICES INCLUDING myQ® ENABLED ACCESSORIES

1. Press and hold the LEARN button on garage door opener until the learn LED goes out (approximately 6 seconds).
2. Immediately press and hold the LEARN button again until the learn LED goes out. All codes are now erased. Reprogram any accessory you wish to use.

ERASE THE CONNECTION FROM GARAGE DOOR OPENER TO HOME WI-FI® NETWORK

1. Press and hold the black adjustment button on the garage door opener until 3 beeps are heard (Approximately 6 seconds).



To Open the Door Manually

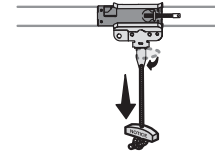
WARNING

To prevent possible **SERIOUS INJURY** or **DEATH** from a falling garage door:

- If possible, use emergency release handle to disengage trolley **ONLY** when garage door is **CLOSED**. Weak or broken springs or unbalanced door could result in an open door falling rapidly and/or unexpectedly.
- **NEVER** use emergency release handle unless garage doorway is clear of persons and obstructions.
- **NEVER** use handle to pull door open or closed. If rope knot becomes untied, you could fall.

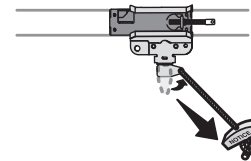
DISCONNECT THE TROLLEY

1. The door should be fully closed if possible.
2. Pull down on the emergency release handle so the trolley release arm snaps to the vertical position. The door can now be raised and lowered as often as necessary.



TO RE-CONNECT THE TROLLEY

1. Pull the emergency release handle toward the garage door opener so the trolley release arm snaps to the horizontal position. The trolley will reconnect on the next UP or DOWN operation, either manually or by using the door control or remote control.



Maintenance

Maintenance Schedule

EVERY MONTH

- Manually operate door. If it is unbalanced or binding, call a trained door systems technician.
- Check to be sure door opens and closes fully. Adjust if necessary, see page 33.
- Test the safety reversal system. Adjust if necessary, see page 35.

EVERY YEAR

- Oil door rollers, bearings and hinges. The garage door opener does not require additional lubrication. Do not grease the door tracks.
- Test the battery backup and consider replacing the battery to ensure the garage door opener will operate during an electrical power outage, see page 36 to test the battery backup.

The Remote Control Battery



To prevent possible **SERIOUS INJURY** or **DEATH**:

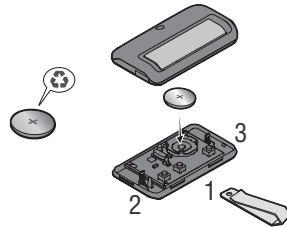
- NEVER allow small children near batteries.
- If battery is swallowed, immediately notify doctor.

To reduce risk of fire, explosion or chemical burn:

- Replace **ONLY** with 3V CR2032 coin batteries.
- **DO NOT** recharge, disassemble, heat above 212°F (100°C) or incinerate.

The 3V CR2032 Lithium battery should produce power for up to 3 years. If the battery is low, the remote control's LED will not flash when the button is pressed.

To replace battery, pry open the case first in the middle (1), then at each side (2 and 3) with the visor clip. Replace the batteries with only 3V CR2032 coin cell batteries. Insert battery positive side up. Dispose of old batteries properly.



NOTICE: This device complies with part 15 of the FCC rules and Innovation, Science and Economic Development Canada license-exempt RSSs. Operation is subject to the following two conditions: (1) this device may not cause harmful interference, and (2) this device must accept any interference received, including interference that may cause undesired operation.

Any changes or modifications not expressly approved by the party responsible for compliance could void the user's authority to operate the equipment.

This device must be installed to ensure a minimum 20 cm (8 in.) distance is maintained between users/ bystanders and device.

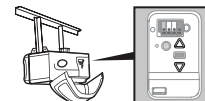
This device has been tested and found to comply with the limits for a Class B digital device, pursuant to part 15 of the FCC rules and Industry Canada ICES standard. These limits are designed to provide reasonable protection against harmful interference in a residential installation. This equipment generates, uses and can radiate radio frequency energy and, if not installed and used in accordance with the instructions, may cause harmful interference to radio communications. However, there is no guarantee that interference will not occur in a particular installation. If this equipment does cause harmful interference to radio or television reception, which can be determined by turning the equipment off and on, the user is encouraged to try to correct the interference by one or more of the following measures:



- Reorient or relocate the receiving antenna.
- Increase the separation between the equipment and receiver.
- Connect the equipment into an outlet on a circuit different from that to which the receiver is connected.
- Consult the dealer or an experienced radio/TV technician for help.

Troubleshooting

Diagnostic Chart

Your garage door opener is programmed with self-diagnostic capabilities. The UP and DOWN arrows on the garage door opener flash the diagnostic codes.



DIAGNOSTIC CODE		SYMPTOM	SOLUTION
			
Flashes	Flashes		
1	1	The garage door opener will not close.	Safety reversing sensors are not installed, connected, or wires may be cut. Inspect sensor wires for a disconnected or cut wire.
1	2	The garage door opener will not close.	There is a short or reversed wire for the safety reversing sensors. Inspect safety sensor wire at all staple and connection points, replace wire or correct as needed.
1	3	The door control will not function.	The wires for the door control are shorted or the door control is faulty. Inspect door control wires at all staple and connection points, replace wire or correct as needed.
1	4	The garage door opener will not close.	Safety reversing sensors are misaligned or were momentarily obstructed. Realign both sensors until both LEDs are glowing steady. Make sure nothing is hanging or mounted on the door that would interrupt the sensor's path while closing.
1	5	Door moves 6-8" (15-20 cm) stops or reverses.	Manually open and close the door. Check for binding or obstructions, such as a broken spring or door lock, correct as needed. Check wiring connections at travel module and at the logic board. Replace travel module if necessary.
		No movement, only a single click.	Manually open and close the door. Check for binding or obstructions, such as a broken spring or door lock, correct as needed. Replace logic board if necessary.
		Opener hums for 1-2 seconds no movement.	Manually open and close the door. Check for binding or obstructions, such as a broken spring or door lock, correct as needed. Replace motor if necessary.
1	6	Door coasts after it has come to a complete stop.	Program travel to coasting position or have door balanced by a trained door systems technician.
2	1-5	No movement, or sound.	Replace logic board.
3	2	Unable to set the travel or retain position.	Check travel module for proper assembly, replace if necessary.
3	3	The battery status LED is constantly flashing green.	Battery backup charging circuit error, replace the logic board.
4	1-4	Door is moving, stops or reverses. Opener beeps and lights flash.	Manually open and close the door. Check for binding or obstructions, such as a broken spring or door lock, correct as needed. If the door is binding or sticking contact a trained door systems technician. If door is not binding or sticking attempt to reprogram travel, see Program the Travel page 31.
4	5	Opener runs approximately 6-8" (15-20 cm), stops and reverses.	Communication error to travel module. Check travel module connections, replace travel module if necessary.
4	6	The garage door opener will not close.	Safety reversing sensors are misaligned or were momentarily obstructed. Realign both sensors to ensure both LEDs are steady and not flickering. Make sure nothing is hanging or mounted on the door that would interrupt the sensor's path while closing.

Troubleshooting

Additional Troubleshooting

My garage door opener beeps and flashes its lights before door closes:

- Garage door opener has been activated through a device or feature such as Timer-to-Close or garage door monitor.

My garage door opener stops, reverses, beeps and flashes its lights:

- Check for binding or obstructions anywhere along the track to garage floor.

My remote control will not activate the garage door:

- Verify the lock feature is not activated on the door control.
- Reprogram the remote control.
- If the remote control will still not activate the door check the diagnostic codes to ensure the garage door opener is working properly.

My door will not close

The safety reversing sensor must be connected and aligned correctly before the garage door opener will move in the down direction.

- Check for binding or obstructions anywhere along the track to garage floor.
- The safety reversing sensor must be connected and aligned correctly before the garage door opener will move in the down direction.
 - Verify the safety reversing sensors are properly installed, aligned and free of any obstructions.
 - If the receiving sensor (green LED) faces direct sunlight, switch the receiving sensor with the sending sensor so the receiving sensor is not in direct sunlight.

Wi-Fi® troubleshooting

The garage door opener will NOT enter Wi-Fi® learn mode:

- After the initial installation of the garage door opener, the garage door opener must complete a full cycle (open and closed) before the Wi-Fi® learn mode can be activated.
- If there has been a recent power outage, the garage door opener must complete a full cycle before the Wi-Fi® learn mode can be activated.

See page 37 to activate Wi-Fi LEARN mode.

If your black adjustment button is not solid green go to support.chamberlaingroup.com.

My vehicle's Homelink® is not programming to my garage door opener:

Compatibility Bridge (not included) may be necessary for certain vehicles. Visit bridge.chamberlain.com to find out if a Bridge is needed.

My neighbor's remote control opens my garage door:

Erase the memory from your garage door opener and reprogram the remote control(s).

Safety sensor LED lights are not lit:

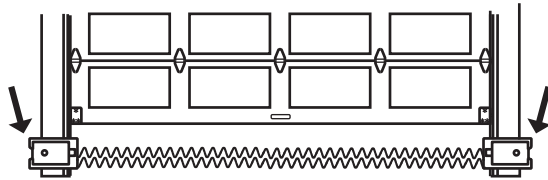
If the sensor LEDs do not glow steadily when the opener is activated, see SAFETY SENSOR TROUBLESHOOTING page 32.

Warranty

Contact Information

STOP!

This garage door opener **WILL NOT work** until the safety reversing sensors are properly installed and aligned.



Visit us online at:

support.chamberlaingroup.com

CHAMBERLAIN® LIMITED WARRANTY

The Chamberlain Group LLC® (“Seller”) warrants to the first retail purchaser of this product, for the residence in which this product is originally installed, that it is free from defects in materials and/or workmanship for a specific period of time as defined below (the “Warranty Period”). The warranty period commences from the date of purchase.

WARRANTY PERIOD			
Motor	Parts	Motor	Accessories
C2405C	1 year	10 years	1 year
D2405C	1 year	6 years	1 year
C2202C	1 year	6 years	1 year
D2101C	1 year	6 years	1 year
C2102C	1 year	6 years	1 year

The proper operation of this product is dependent on your compliance with the instructions regarding installation, operation, and maintenance and testing. Failure to comply strictly with those instructions will void this limited warranty in its entirety. If, during the limited warranty period, this product appears to contain a defect covered by this limited warranty, visit chamberlain.com, before dismantling this product. You will be advised of disassembly and shipping. Then send the product or component, pre-paid and insured, as directed to our service center for warranty repair. Please include a brief description of the problem and a dated proof-of-purchase receipt with any product returned for warranty repair. Products returned to Seller for warranty repair, which upon receipt by Seller are confirmed to be defective and covered by this limited warranty, will be repaired or replaced (at Seller's sole option) at no cost to you and returned pre-paid. Defective parts will be repaired or replaced with new or factory-rebuilt parts at Seller's sole option. [You are responsible for any costs incurred in removing and/or reinstalling the product or any component].

ALL IMPLIED WARRANTIES FOR THE PRODUCT, INCLUDING BUT NOT LIMITED TO ANY IMPLIED WARRANTIES OF MERCHANTABILITY AND FITNESS FOR A PARTICULAR PURPOSE, ARE LIMITED IN DURATION TO THE APPLICABLE LIMITED WARRANTY PERIOD SET FORTH ABOVE FOR THE RELATED COMPONENT(S), AND NO IMPLIED WARRANTIES WILL EXIST OR APPLY AFTER SUCH PERIOD. Some States and Provinces do not allow limitations on how long an implied warranty lasts, so the above limitation may not apply to you. THIS LIMITED WARRANTY DOES NOT COVER NON-DEFECT DAMAGE, DAMAGE CAUSED BY IMPROPER INSTALLATION, OPERATION OR CARE (INCLUDING, BUT NOT LIMITED TO ABUSE, MISUSE, FAILURE TO PROVIDE REASONABLE AND NECESSARY MAINTENANCE, UNAUTHORIZED REPAIRS OR ANY ALTERATIONS TO THIS PRODUCT), LABOR CHARGES FOR REINSTALLING A REPAIRED OR REPLACED UNIT, REPLACEMENT OF CONSUMABLE ITEMS (E.G., BATTERIES IN REMOTE CONTROL TRANSMITTERS AND LIGHT BULBS), OR UNITS INSTALLED FOR NON-RESIDENTIAL USE. THIS LIMITED WARRANTY DOES NOT COVER ANY PROBLEMS WITH, OR RELATING TO, THE GARAGE DOOR OR GARAGE DOOR HARDWARE, INCLUDING BUT NOT LIMITED TO THE DOOR SPRINGS, DOOR ROLLERS, DOOR ALIGNMENT OR HINGES. THIS LIMITED WARRANTY ALSO DOES NOT COVER ANY PROBLEMS CAUSED BY INTERFERENCE. UNDER NO CIRCUMSTANCES SHALL SELLER BE LIABLE FOR CONSEQUENTIAL, INCIDENTAL OR SPECIAL DAMAGES ARISING IN CONNECTION WITH USE, OR INABILITY TO USE, THIS PRODUCT. IN NO EVENT SHALL SELLER'S LIABILITY FOR BREACH OF WARRANTY, BREACH OF CONTRACT, NEGLIGENCE OR STRICT LIABILITY EXCEED THE COST OF THE PRODUCT COVERED HEREBY. NO PERSON IS AUTHORIZED TO ASSUME FOR US ANY OTHER LIABILITY IN CONNECTION WITH THE SALE OF THIS PRODUCT.

Some states and provinces do not allow the exclusion or limitation of consequential, incidental or special damages, so the above limitation or exclusion may not apply to you. This limited warranty gives you specific legal rights, and you may also have other rights, which vary from state to state and province to province.

Automatic Garage Door Opener Safety & Maintenance Guide

Garage Door Opener Safety – An Automatic Decision

A garage door is the largest moving object in the home. An improperly adjusted garage door and opener can exert deadly force when the door closes – which could lead to entrapment of children or adults and subsequent injury or death.

Proper installation, operation, maintenance, and testing of the garage door and automatic opener are necessary to provide a safe, trouble-free system. Careless operation or allowing children to play with or use garage door opener controls are also dangerous situations that can lead to tragic results. A few simple precautions can protect your family and friends from potential harm. Please review the safety and maintenance tips in this guide carefully and keep it for reference. Check the operation of your garage door and opener to ensure they function in a safe and trouble-free manner. Be sure to read all Important Safety Information found in your garage door opener's manual as it provides more details and safety considerations than can be supplied with this guide.

Garage Door Openers are Not Toys

Discuss garage door and opener safety with your children. Explain the danger of being trapped under the door.



Stay away from a moving door.



The wall-mounted push button should be out of reach of children, at least 5 feet from the nearest standing surface and away from all moving parts. Mount and use the button where you can clearly see the closing garage door.



Keep transmitters and remote controls out of reach of children.

Do not let children play with or use transmitters or other remote control devices.



Keep the door in sight until it completely closes when using the wall-mounted push button or transmitter.

Routine Maintenance Can Prevent Tragedies

Make monthly inspection and testing of your garage door and opener system a part of your regular routine. Review your owner's manual for both the door and door opener. If you don't have the owner's manuals, contact the manufacturer(s) and request a copy for your specific model(s). Look for the opener model number on the back of the power unit.

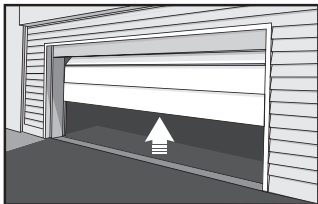


WARNING – SPRINGS ARE UNDER HIGH TENSION. ONLY QUALIFIED INDIVIDUALS SHOULD ADJUST THEM.



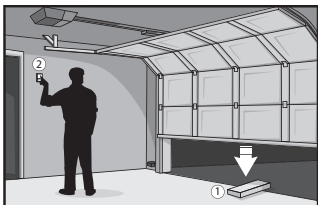
Visually check the door and installation:

- Starting with the door in the closed position, use the manual disconnect on the opener to disconnect the door.
- Look for signs of wear or damage on hinges, rollers, springs, and door panels.
- These parts may require periodic lubrication. Check the owner's manual for suggested maintenance.
- If any signs of damage are evident, contact a trained door systems technician for assistance.
- Verify the photo eye height is no higher than 6" from the garage floor.



Test the door for proper operation:

- Open and close the door manually using handles or suitable gripping points.
- The door should move freely and without difficulty.
- **The door should balance and stay partially open 3–4 feet above the floor.**
- If you detect any signs of improper operation, contact a trained door systems technician for assistance.



Test the opener safety features:

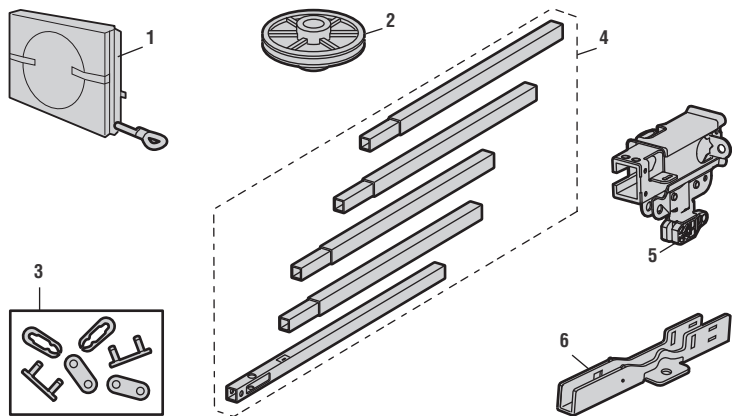
- Reconnect the opener to the door using the manual disconnect and open the door.
- Place a 2x4 board flat in the path of the door (1) and try to close it (2). The door should stop when it comes in contact with the 2x4 and then reverse direction.
- Block the photoelectric sensor by waving an object in front of the sensor and attempt to close the door. The door should not close unless the wall-mounted push button is manually held during operation.
- If the opener does not perform as described, contact a trained door systems technician for assistance.



Repair Parts

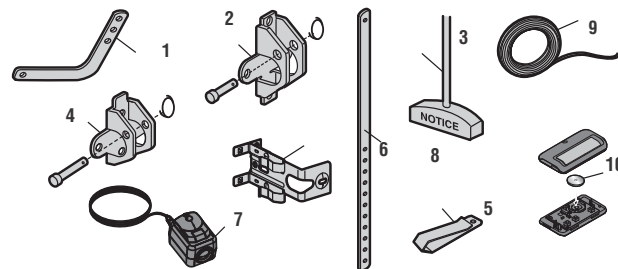
Rail Assembly Parts

Description	Part Number
1 Chain and cable	041A5807
2 Pulley	K144C0056
3 Master link	004A1008
4 Rail	041A5665
5 Trolley assembly: clevis pin (1) and ring (1)	041C5141-1
6 "U" bracket	041D0598-1
Not shown	
Wear pads	041A7276
Hardware bag	041A7920-1



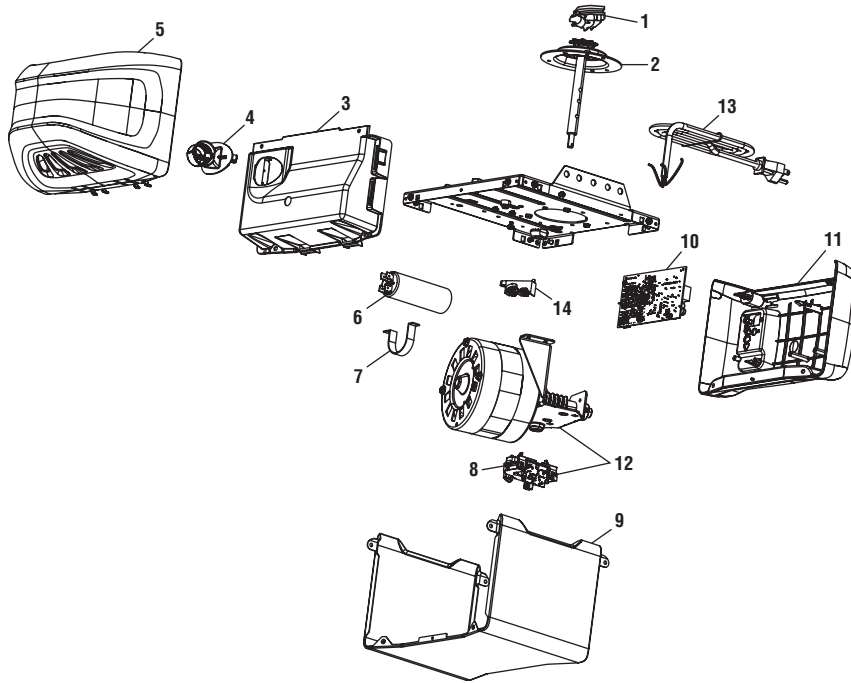
Installation Parts

Description	Part Number
1 Curved door arm	041B0035B
2 Door bracket with clevis pin and fastener	041A5047
3 Emergency release rope and handle	041A2828
4 Header bracket with clevis pin and fastener	041A5047-2
5 Remote control visor clip	K029B0137
6 Safety sensor bracket	041-0155-000
7 Safety sensor kit: receiving and sending sensors with 2-conductor wire	041-0136
8 Straight door arm	4178B0034B
9 White and red/white wire	041B4494-1
10 3V CR2032 lithium battery	K010A0020
Not shown	
Installation Manual	114-5748-010



Repair Parts

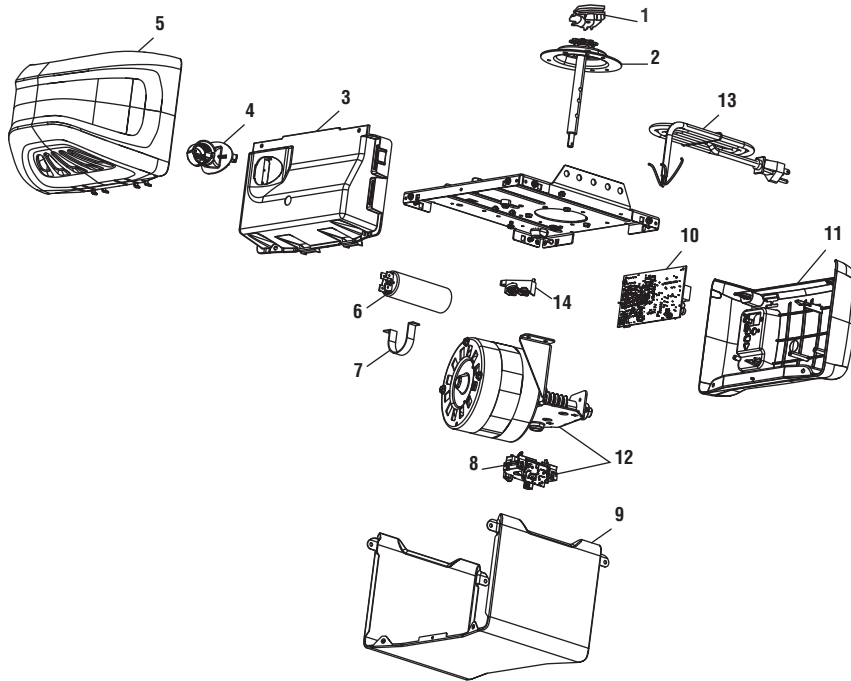
Garage Door Opener Parts - C2102C



Description	Part Number
1 Chain spreader	041A5615
2 Gear and sprocket	041C4220A
3 End panel with light socket	041A7760
4 Light socket	041C0279
5 Light lens	041-0144
6 Capacitor	030B0532-1
7 Capacitor bracket	K012A0373
8 Travel module	041D7742-7
9 Cover	041-0228-000
10 Receiver logic board	045ACTMC
11 Logic board end panel	041DB374
12 Motor with travel module	041D7440
13 Line cord	041B4245-1
14 Terminal block	041A3150
Not shown	
Wire harness	041A7945

Repair Parts

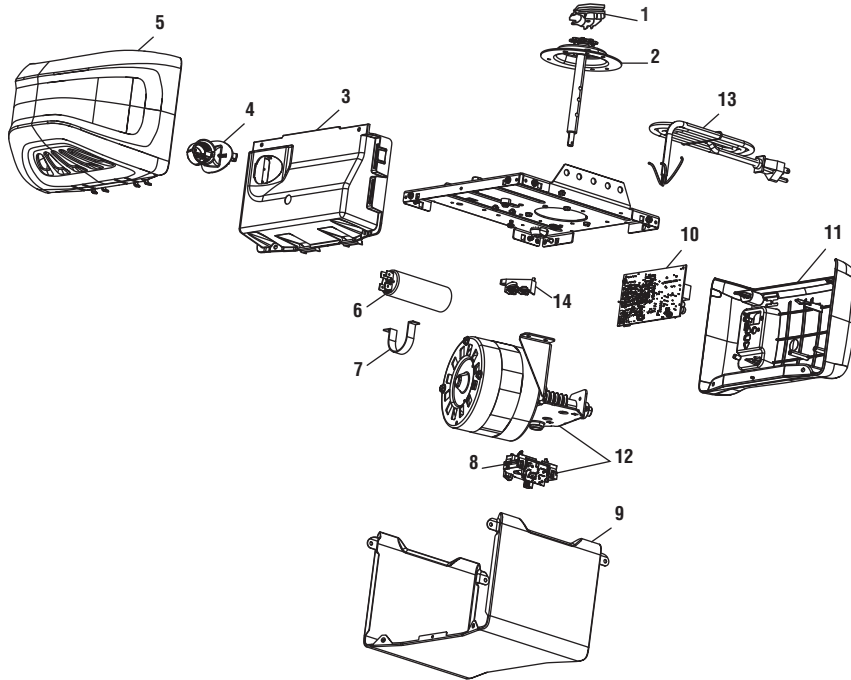
Garage Door Opener Parts C2405C and D2405C



Description	Part Number
1 Chain spreader	041A5615
2 Gear and sprocket	041C4220A
3 End panel with light socket	041-0037-000
4 Light socket	041C0279
5 Light lens	041-0144
6 Capacitor	030B0532-1
7 Capacitor bracket	K012A0373
8 Travel module	041D7742-7
9 Cover	041-0028-000
10 Logic Board	050ACTBMC
11 End panel for receiver logic board	041-0025-000
12 Motor with travel module	041D7440
13 Line cord	041B4245-1
14 Terminal block	041A3150
Not shown	
Wire harness	041A7946

Repair Parts

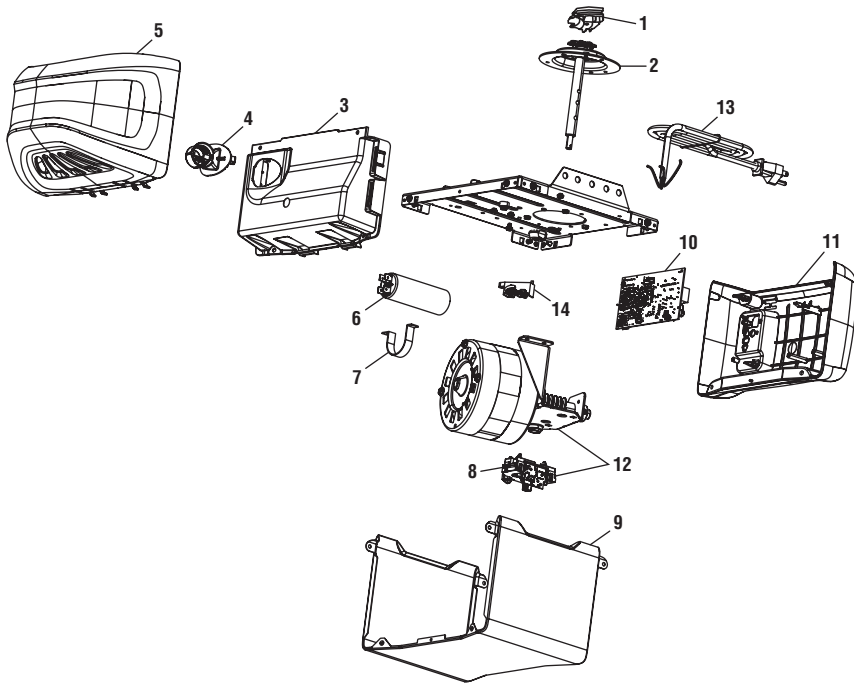
Garage Door Opener Parts - Model C2202C



Description	Part Number
1 Chain spreader	041A5615
2 Gear and sprocket	041C4220A
3 End panel with light socket	041-0037-000
4 Light socket	041C0279
5 Light lens	041-0144
6 Capacitor	030B0532-1
7 Capacitor bracket	K012A0373
8 Travel module	041D7742-7
9 Cover	041-0028-000
10 Logic Board	050ACTBMC
11 End panel for receiver logic board	041-0025-000
12 Motor with travel module	041D7440
13 Line cord	041B4245-1
14 Terminal block	041A3150
Not shown	
Wire harness	041A7946

Repair Parts

Garage Door Opener Parts - Model D2101C



Description	Part Number
1 Chain spreader	041A5615
2 Gear and sprocket	041C4220A
3 End panel with light socket	041D8129
4 Light socket	041C0279
5 Light lens	041-0144
6 Capacitor	030B0532-1
7 Capacitor bracket	K012A0373
8 Travel module	041D7742-7
9 Cover	041-0228-000
10 Logic Board	045ACTMC
11 End panel for receiver logic board	041D8374
12 Motor with travel module	041D7440
13 Line cord	041B4245-1
14 Terminal block	041A3150
Not shown	
Wire harness	041A7945

Manuel d'installation

Ouvre-porte de garage à entraînement par chaîne

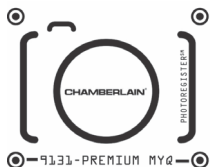
Modèles C2405C • D2405C • C2102C • C2202C • D2101C

USAGE RÉSIDENTIEL UNIQUEMENT

TÉLÉCOMMANDE PRÉPROGRAMMÉE
COMMANDE INCLUSE

Pour enregistrer votre ouvre-porte de garage afin de recevoir des mises à jour et des offres de Chamberlain, visitez Chamberlain.registria.com ou utilisez l'icône ci-dessous :

1. Prenez une photo de l'icône d'appareil photo incluant les points (●).
2. Envoyez-la par SMS au 71403 (États-Unis).



- Veuillez lire attentivement ce manuel et les documents relatifs à la sécurité ci-joints!
- Fixez le manuel près de la porte de garage après l'installation.
- La porte NE SE FERMERA PAS si le Protector System® n'est pas connecté et correctement aligné.
- Des vérifications périodiques de l'ouvre-porte de garage sont nécessaires pour assurer un fonctionnement sûr.
- L'étiquette du numéro de modèle est située sur le panneau arrière de votre ouvre-porte de garage.
- Cet ouvre-porte de garage est compatible avec les accessoires myQ® et Security+ 2.0®.
- N'INSTALLEZ PAS cet appareil sur une porte monobloc si vous utilisez des dispositifs ou des fonctionnalités permettant une fermeture sans surveillance. Les dispositifs et fonctionnalités sans surveillance doivent être utilisés UNIQUEMENT avec des portes sectionnelles.



Téléchargez
l'application myQ®



Available on most iOS and Android Devices

Sommaire

Préparation	3
Assemblage	7
Installation	11
Installation de la commande de la porte	22
Installer le Protector System®	26
Connecter l'alimentation	29
Ajustements	31
Commande de l'application myQ®	34
Connectez-vous avec votre téléphone intelligent	34
Fonctionnement	38
Utilisation de votre ouvre-porte de garage	35
Utilisation de la commande de porte	36
Télécommande et entrée sans clé	37
Home Link®	37
Effacer la mémoire	38
Pour ouvrir la porte manuellement	38
Entretien	39
Dépannage	40
Garantie	42
Guide de sécurité et d'entretien de l'ouvre-porte de garage automatique	43
Pièces détachés	45
Pièces d'assemblage des rails	45
Pièces d'installation	45
Modèle C2102C	46
Modèle C2405C	47
Modèle D2405C	47
Modèle C2202C	48
Modèle D2101C	49

Examen des symboles de sécurité et des notes d'avertissement.

Cet ouvre-porte de garage a été conçu et testé pour offrir un service sûr à condition qu'il soit installé, utilisé, entretenu et testé en stricte conformité avec les instructions et les avertissements de ce manuel.

 **AVERTISSEMENT**

Mécanique

 **AVERTISSEMENT**

Électrique

Lorsque vous voyez ces symboles de sécurité et notes d'avertissement aux pages suivantes, ils vous avertissent du risque de **blessures graves voire mortelles** si vous ne respectez pas les avertissements qu'ils accompagnent. Le danger peut provenir de quelque chose de mécanique ou d'un choc électrique. Lisez attentivement les avertissements.

 **ATTENTION**

Lorsque vous voyez ce mot d'avertissement aux pages suivantes, il vous avertit du risque que votre porte de garage et/ou l'ouvre-porte soit endommagé(e) si vous ne respectez pas les mises en garde qui l'accompagnent. Lisez-les attentivement.



AVERTISSEMENT : Ce produit peut vous exposer à des produits chimiques, dont le plomb, qui sont reconnus par l'État de Californie comme provoquant le cancer, des malformations congénitales ou d'autres problèmes de reproduction. Pour en savoir plus, visitez www.P65Warnings.ca.gov

Fonctionnement sans surveillance

La fonction de minuterie de fermeture (TTC), l'application myQ® et le moniteur de porte de garage et de portail myQ® sont des exemples de fermeture sans surveillance et doivent être utilisés UNIQUEMENT avec des portes sectionnelles. Tout dispositif ou fonction permettant à la porte de se fermer sans être dans le champ de vision de cette dernière est considéré comme une fermeture sans surveillance. La fonction de minuterie de fermeture (TTC), l'application myQ® et tout autre appareil myQ® doivent être utilisés UNIQUEMENT avec des portes sectionnelles.

Les images de ce manuel sont fournies à titre indicatif uniquement et il est possible que votre produit soit différent.

Préparation

Vérifiez la porte

AVERTISSEMENT

Pour éviter d'éventuelles BLESSURES GRAVES voire MORTELLES :

- Appelez TOUJOURS un technicien qualifié en systèmes de porte si la porte de garage se coince, colle ou est déséquilibrée. Une porte de garage déséquilibrée risque de ne PAS s'inverser lorsque cela est nécessaire.
- N'essayez JAMAIS de desserrer, déplacer ou ajuster la porte de garage, les ressorts de porte, les câbles, les poulies, les supports ou leur matériel, qui sont TOUS sous une tension EXTRÊME.
- Désactivez TOUS les verrous et retirez TOUTES les cordes connectées à la porte de garage AVANT d'installer et d'utiliser l'ouvre-porte pour éviter tout enchevêtrement.
- Ne l'installez PAS sur une porte monobloc si vous utilisez des dispositifs ou des fonctionnalités permettant une fermeture sans surveillance. Les dispositifs et fonctionnalités sans surveillance doivent être utilisés UNIQUEMENT avec des portes sectionnelles.

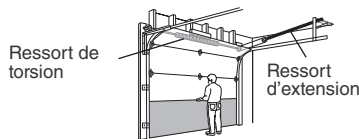
ATTENTION

Pour éviter d'endommager la porte de garage et l'ouvre-porte :

- Désactivez TOUJOURS les verrous AVANT d'installer et d'utiliser l'ouvre-porte.
- Utilisez UNIQUEMENT l'ouvre-porte de garage sur 120 V, 60 Hz pour éviter les dysfonctionnements et les dommages.

Avant de commencer :

1. Désactivez les verrous et retirez toutes les cordes connectées à la porte de garage.
2. Soulevez la porte à mi-hauteur. Relâchez la porte. Si elle est équilibrée, elle doit rester en place, entièrement soutenue par ses ressorts.
3. Soulevez et abaissez la porte pour vérifier qu'elle ne se coince pas ou ne colle pas. Si votre porte se coince, colle ou est déséquilibrée, appelez un technicien qualifié en systèmes de porte.
4. Vérifiez le joint d'étanchéité au bas de la porte. Tout écart entre le sol et le bas de la porte ne doit pas dépasser 6 mm (1/4 po). Sinon, le système d'inversion de sécurité risque de ne pas fonctionner correctement.
5. L'ouvre-porte doit être installé au-dessus du centre de la porte. S'il y a un ressort de torsion ou une plaque d'appui centrale sur le chemin du support de linteau, il peut être installé à moins de 4 pieds (1,2 m) à gauche ou à droite du centre de la porte. Voir page 13.



Avant de vous connecter avec votre téléphone intelligent*

Surveillez et contrôlez votre porte de garage de n'importe où à l'aide de l'application myQ[®]. Vous aurez besoin d'un routeur avec Wi-Fi[®] et d'un téléphone intelligent ou d'un autre appareil mobile. Assurez-vous que votre appareil mobile est connecté à votre réseau Wi-Fi[®]. Tenez votre appareil mobile à l'endroit où votre ouvre-porte de garage sera installé et vérifiez la force du signal Wi-Fi[®].



Vérifiez la force du signal. Si vous voyez que :



Le signal Wi-Fi est fort. Vous êtes prêt!
Installez votre nouvel ouvre-porte de garage.

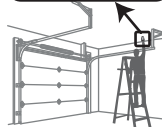


Le signal Wi-Fi est faible.
L'ouvre-porte de garage se connectera probablement à votre réseau Wi-Fi. Sinon, essayez l'une des options ci-dessous.



Aucun signal Wi-Fi. Essayez l'une des solutions suivantes :

- Rapprochez votre routeur de l'ouvre-porte de garage pour minimiser les interférences avec les murs et autres objets
- Achetez un prolongateur de portée Wi-Fi



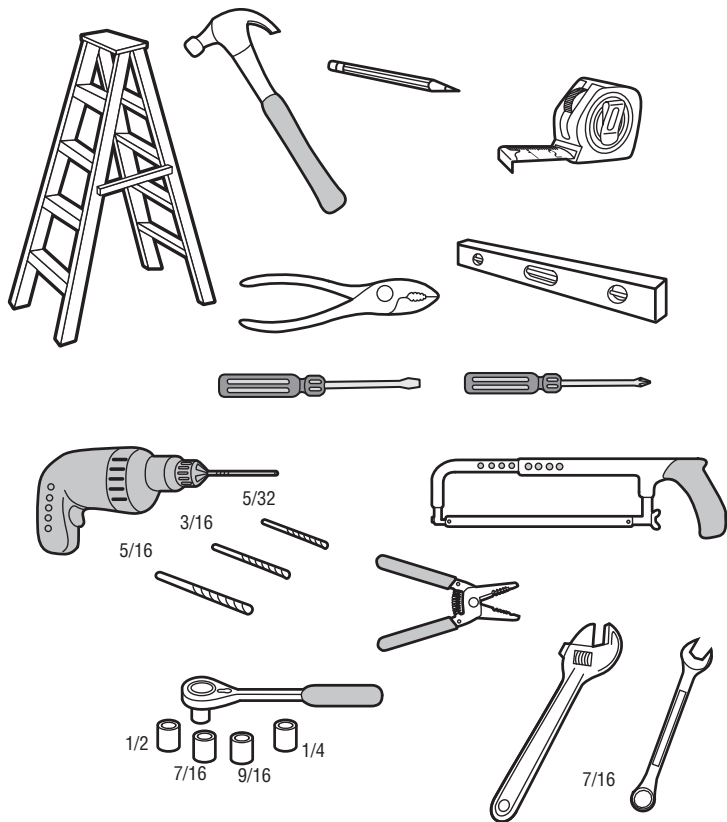
Visitez support.chamberlaingroup.com pour plus de détails.

Voir Commande de l'application myQ[®], page 37 pour connecter votre ouvre-porte de garage à votre réseau Wi-Fi[®].

*Le contrôle par téléphone intelligent n'est pas disponible avec les modèles C2102 et D2101.

Préparation

Outils nécessaires

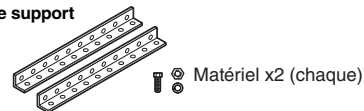


Articles supplémentaires dont vous pourriez avoir besoin :

Examinez votre garage pour voir si vous aurez besoin de l'un des éléments suivants :

- **(2) morceaux de bois 2X4** : Peut être utilisé pour fixer le support de linteau aux supports structurels. Également utilisé pour positionner l'ouvre-porte de garage lors de l'installation et pour tester les capteurs d'inversion de sécurité.
- **Support et matériel de fixation** : Doit être utilisé si vous avez un plafond fini dans votre garage.

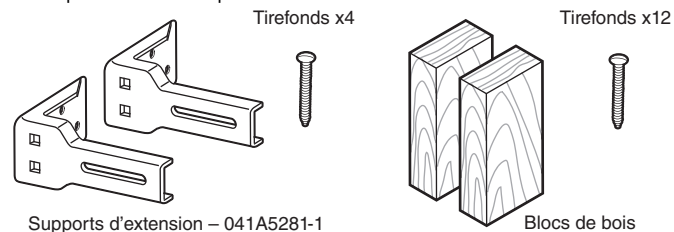
- **Supports de support**



- **Morceaux du support de suspension**



- **Supports d'extension (Model 041A5281-1) ou blocs de bois**: Selon la construction du garage, des supports d'extension ou des blocs de bois peuvent être nécessaires pour installer le capteur d'inversion de sécurité.



- **Matériel de fixation** : Le montage au sol (autre option) du capteur d'inversion sécuritaire nécessitera du matériel non fourni.
- **Renfort de porte** : Obligatoire si vous avez une porte en acier léger, en aluminium, en fibre de verre ou à panneaux de verre.
- **Kit d'extension de rail** : Obligatoire si la hauteur de votre porte de garage est supérieure à 2,13 m (7 pieds).

Préparation

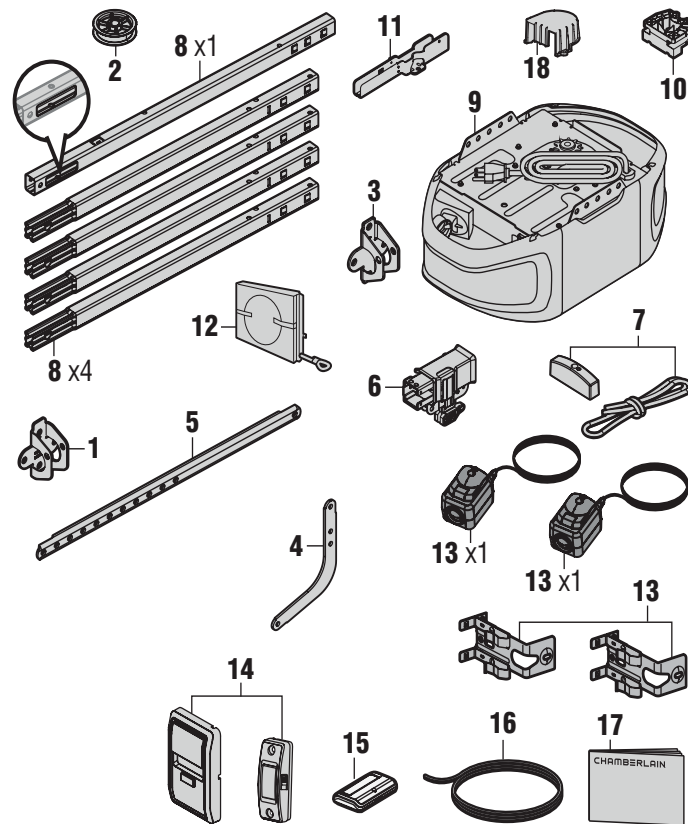
Inventaire du carton

Conservez le carton et le matériel d'emballage jusqu'à ce que l'installation et l'ajustement soient terminés. Les instructions relatives aux accessoires ne sont pas incluses dans ce manuel car elles sont à ces derniers. Les images de ce manuel sont fournies à titre indicatif uniquement et il est possible que votre produit soit différent.

1. Support de linteau
2. Poulie
3. Support de porte
4. Bras de porte incurvé
5. Bras de porte droit (emballé à l'intérieur de la section de rail avant)
6. Chariot
7. Corde et poignée de déclenchement d'urgence
8. Rail (1 section avant et 4 sections centrales)
9. Ouvre-porte de garage (bloc moteur)
10. Écarteur de chaîne avec vis - Modèle C2405
11. Support en « U »
12. Chaîne et câble ou chaîne (D2405C et D21202C uniquement)
13. **Protector System®**
Capteurs d'inversion de sécurité avec 2 fils conducteurs blanc et blanc/noir attachés : capteur d'envoi (1), capteur de réception (1) et supports de capteur de sécurité (2)
14. Télécommande
15. Commande de porte à bouton-poussoir - Modèles C2202C, D2101C, C2102C Panneau de commande multifonction - Modèles C2405C, D2405C
16. Fil blanc et rouge/blanc
17. Manuel d'installation et toutes les étiquettes d'avertissement
18. Couvercle de pignon - Modèles C2405C, D2405C

Voir Matériel, page 6.

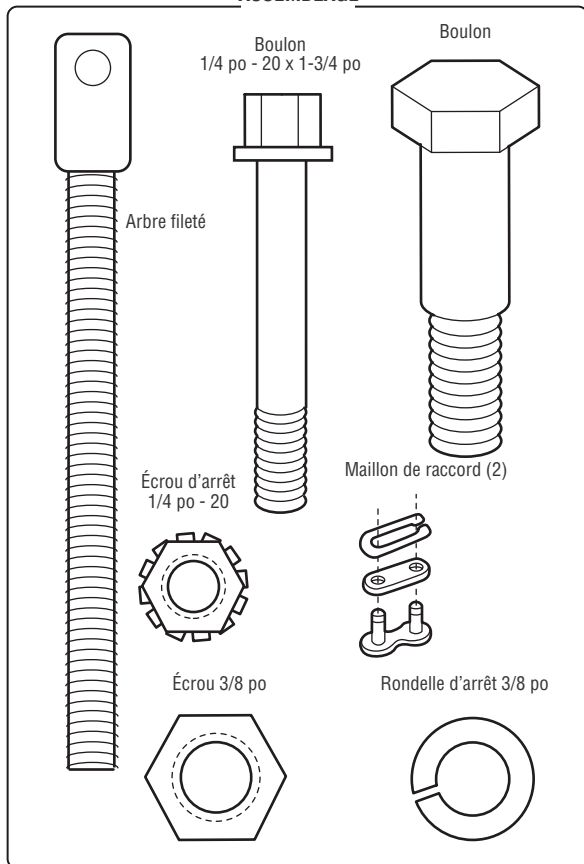
Allez à Chamberlain.com pour tout remplacement ou accessoire supplémentaire :
Télécommande à 3 boutons modèle 953EV-P2
Clavier sans fil modèle 940EV-P2



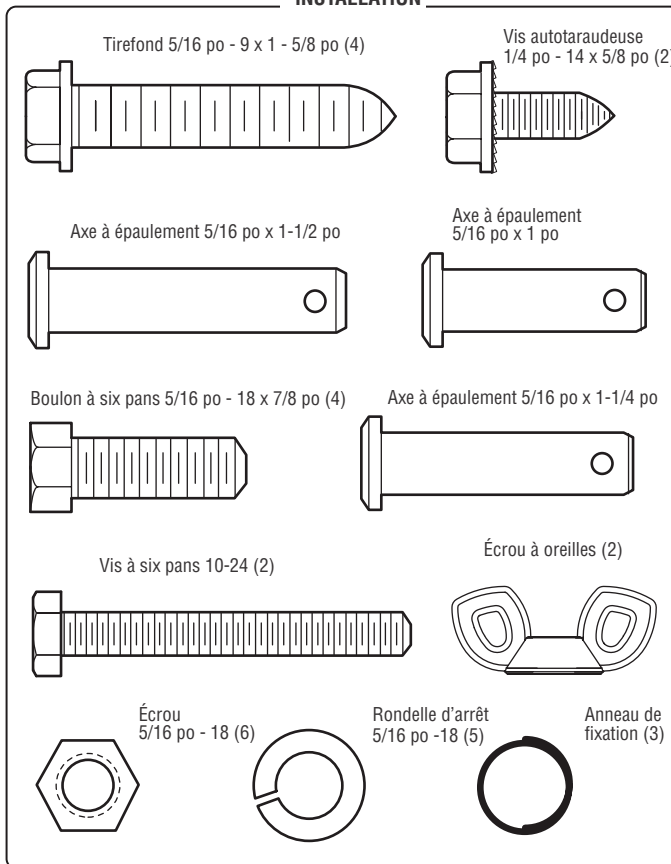
Préparation

Matériel

ASSEMBLAGE



INSTALLATION



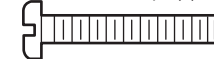
COMMANDE DE PORTE

MODÈLE C2405

Ancrages pour cloisons sèches (2)



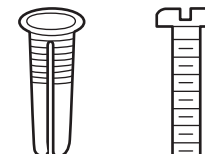
Vis 6 - 32 x 1 po (2)



Vis 6 AB x 1 po (2)



Modèle C2212T



Ancrages pour cloisons sèches (2)

Vis 6 AB x 1-1/2 po (2)

Agrafes isolées (non illustré)

Assemblage

ÉTAPE 1 Assembler le rail et installer le chariot

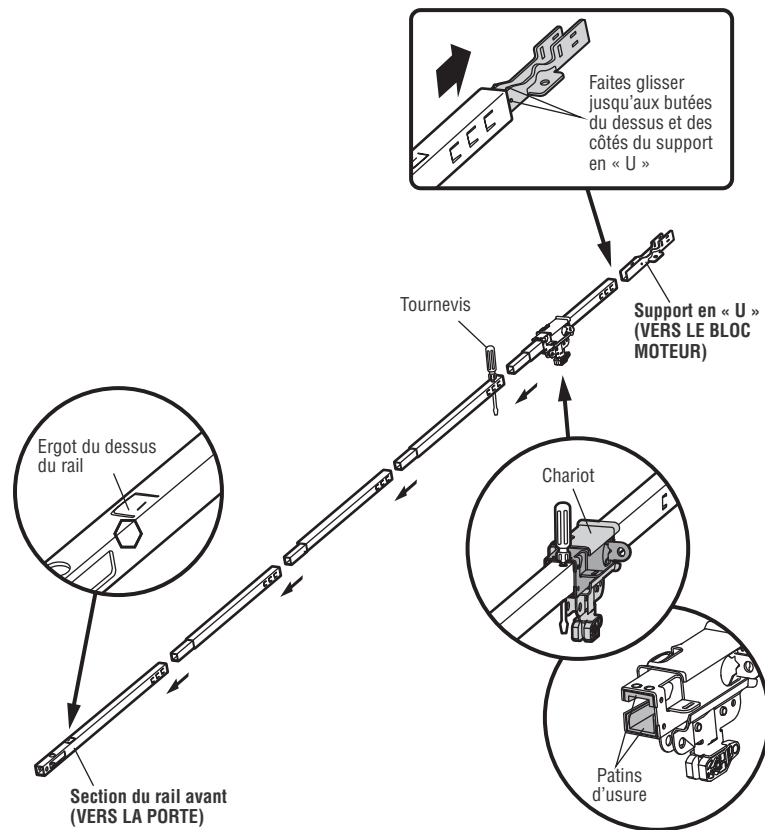
ATTENTION

Pour éviter les BLESSURES par pincement, gardez les mains et les doigts éloignés des joints lorsque vous assemblez le rail.

Pour éviter les difficultés d'installation, ne faites pas fonctionner l'ouvre-porte de garage avant d'y être invité.

Le rail avant a une « fenêtre » découpée à l'extrémité de la porte. L'ergot du rail DOIT être au-dessus du rail lorsqu'il est assemblé.

1. Retirez le bras de porte droit et le support de suspension emballés à l'intérieur du rail avant et mettez-les de côté pour les étapes d'installation 5 et 9. **REMARQUE** : Pour éviter toute BLESSURE lors du déballage du rail, retirez soigneusement le bras de porte droit rangé dans la section du rail.
2. Alignez les sections de rail sur une surface plane tel qu'indiqué et faites glisser les extrémités coniques dans les plus grandes. Les ergots du côté se verrouillent en place.
3. Placez le bloc moteur sur du matériel d'emballage pour protéger son couvercle et posez l'extrémité arrière du rail au dessus.
4. Pour plus de commodité, placez un support sous l'extrémité avant du rail. En tant que butée d'arrêt temporaire, insérez un tournevis dans le trou de la deuxième section de rail du bloc moteur, tel qu'illustré.
5. Vérifiez qu'il y a 4 patins d'usure en plastique à l'intérieur du chariot intérieur. S'ils se sont détachés pendant le transport, vérifiez tout le matériel d'emballage. Remettez-les en place tel qu'indiqué.
6. Faites glisser l'assemblage du chariot vers le tournevis tel qu'illustré.
7. Faites glisser le rail sur le support en « U », jusqu'à ce qu'il atteigne toutes les butées du dessus et les côtés du support en « U ».



Assemblage

ÉTAPE 2 Fixer le rail au bloc moteur

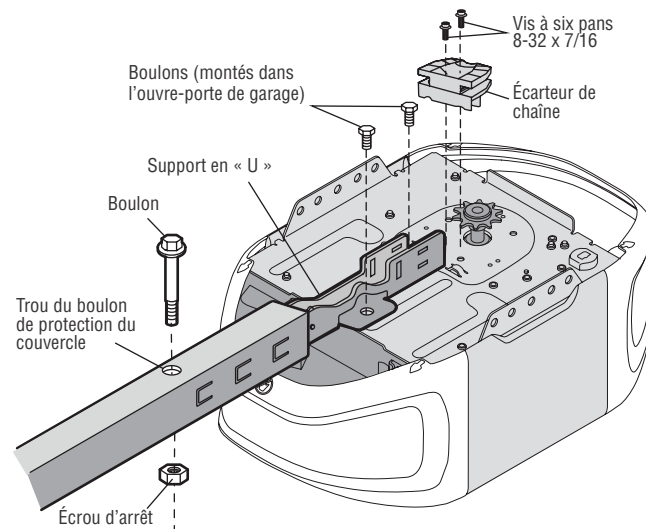
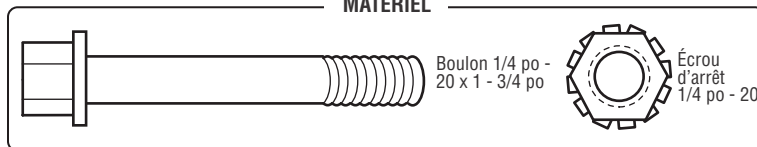
MODÈLE C2405

AVERTISSEMENT

Pour éviter de GRAVES dommages à l'ouvre-porte de garage, utilisez **UNIQUEMENT** les boulons/attaches montés sur le dessus de l'ouvre-porte.

1. Insérez un boulon 1/4 po - 20 x 1-3/4 po dans le trou du boulon de protection du couvercle à l'arrière du rail, tel qu'illustré. Serrez fermement avec un contre-écrou 1/4 po - 20. **NE PAS** trop serrer.
2. Retirez les boulons du haut du bloc moteur.
3. Utilisez le carton pour soutenir l'extrémité avant du rail.
4. Placez le support en « U », côté plat vers le bas, sur le bloc moteur et alignez les trous du support avec les trous des boulons.
5. Fixez le support en « U » avec les boulons retirés précédemment; N'utilisez **PAS** d'outils électriques. L'utilisation d'outils électriques risque d'endommager irrémédiablement l'ouvre-porte de garage.
6. Fixez l'écarteur de chaîne sur le bloc moteur avec deux vis.

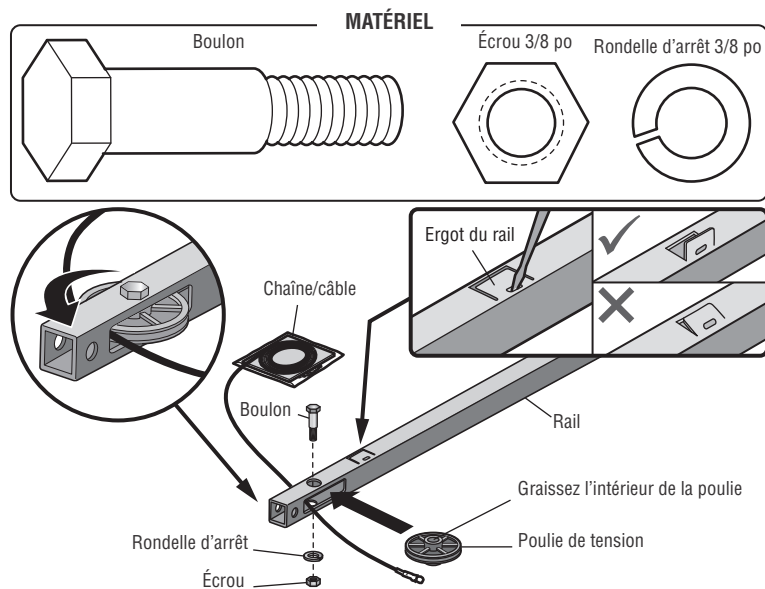
MATÉRIEL



Assemblage

ÉTAPE 3 Installer la poulie de tension

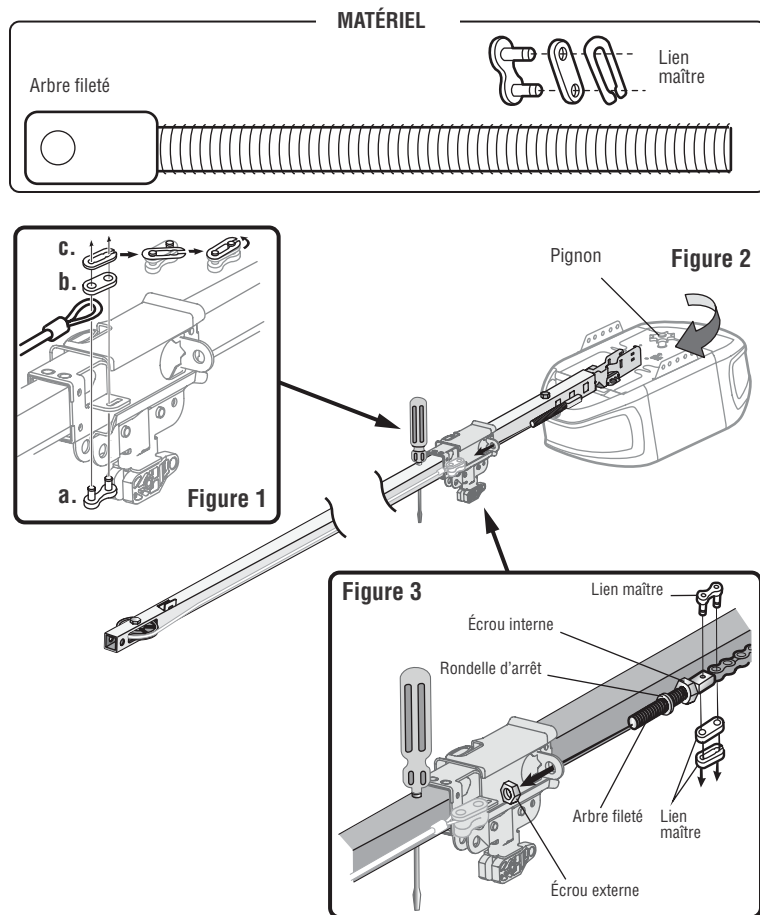
1. Posez la chaîne/câble à côté du rail, comme illustré. Attrapez l'extrémité du câble et faites passer environ 30 cm (12 po) de câble par la fenêtre. Laissez-le pendre jusqu'à l'étape 4 de l'assemblage.
2. Retirez le ruban de la poulie de tension. Le centre intérieur doit être pré-graissé. S'il est sec, regraissez-le pour vous assurer de son bon fonctionnement.
3. Placez la poulie de tension dans la fenêtre tel qu'indiqué.
4. Insérez le boulon de tension par le haut, à travers le rail et la poulie. Serrez avec une rondelle d'arrêt de 3/8 po et un écrou sous le rail jusqu'à ce que la rondelle d'arrêt soit comprimée.
5. Faites tourner la poulie pour vous assurer qu'elle tourne librement.
6. Localisez l'onglet du rail. L'onglet du rail se trouve à proximité de la poulie de tension, dans la section du rail avant. Utilisez un tournevis à tête plate pour soulever la languette du rail jusqu'à ce que celle-ci soit verticale (90°).



Assemblage

ÉTAPE 4 Installer la chaîne

1. Tirez le câble pour entourer la poulie de tension, en allant vers le chariot.
2. Raccordez le câble à la fente de retenue sur le chariot, comme illustré. (Figure 1)
 - a. Poussez les goupilles de la barre du maillon de raccord à travers le maillon du câble et la fente du chariot.
 - b. Poussez le capuchon du maillon de raccord sur les goupilles, et au-delà des encoches de goupille.
 - c. Faites glisser l'extrémité fermée du ressort à clipser sur l'une des broches. Poussez l'extrémité ouverte du ressort à clipser sur l'autre goupille.
3. Avec le chariot contre le tournevis, faites passer le reste du câble/de la chaîne le long du rail vers le bloc moteur, autour du pignon, puis jusqu'à l'assemblage du chariot. Les dents du pignon doivent engager la chaîne. (Figure 2)
4. Vérifiez que la chaîne n'est pas tordue, puis connectez-la à l'arbre fileté à l'aide du maillon de raccord restant.
5. Vissez l'écrou interne et la rondelle d'arrêt sur l'arbre fileté du chariot.
6. Insérez la tige filetée du chariot dans le trou du chariot. **Vérifiez que la chaîne n'est pas tordue.** (Figure 3)
7. Vissez l'écrou externe sans serrer sur l'arbre fileté du chariot.
8. Retirez le tournevis.



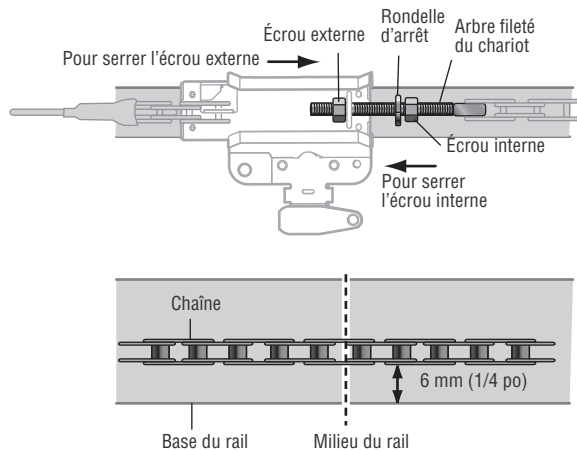
Assemblage

ÉTAPE 5 Serrer la chaîne

1. Vissez l'écrou interne et la rondelle d'arrêt vers le bas sur l'arbre fileté du chariot, dans le sens opposé par rapport au chariot.
2. Pour serrer la chaîne, tournez l'écrou externe dans le sens indiqué.
3. Lorsque la chaîne se trouve à environ 6 mm (1/4 po) au-dessus du milieu de la base du rail, resserrez l'écrou interne pour le fixer.

Le pignon peut faire du bruit si la chaîne n'est pas suffisamment tendue. Lorsque l'installation est terminée, il est possible que la chaîne pende un peu quand la porte est fermée. Ceci est normal. Si la chaîne revient dans la position illustrée lorsque la porte est ouverte, ne réajustez pas la chaîne.

REMARQUE : À l'avenir, lorsque vous effectuez un entretien, tirez **TOUJOURS sur la poignée de déclenchement d'urgence pour déconnecter le chariot avant d'ajuster la chaîne.**



INSTRUCTIONS D'INSTALLATION IMPORTANTES

AVERTISSEMENT

Pour réduire le risque de BLESSURES GRAVES voire MORTELLES :

1. LISEZ ET SUIVEZ TOUS LES AVERTISSEMENTS ET TOUTES LES INSTRUCTIONS D'INSTALLATION.
2. Ils pourraient être happés dans les mécanismes de porte de garage ou d'ouvre-porte. Une porte mal équilibrée risque de ne PAS s'inverser lorsque cela est nécessaire et pourrait entraîner des BLESSURES GRAVES voire MORTELLES.
3. TOUTES les réparations de câbles, ressorts et autre matériel DOIVENT être effectuées par un technicien en systèmes de portes qualifié AVANT d'installer l'ouvre-porte.
4. Désactivez TOUS les verrous et retirez TOUTES les cordes connectées à la porte de garage AVANT d'installer l'ouvre-porte pour éviter qu'elles s'enchevêtrent.
5. Dans la mesure du possible, installez l'ouvre-porte à une hauteur minimum de 2,13 m (7 pi) du sol.
6. Installez le déclencheur d'urgence à portée de main, mais à une distance minimum de moins 1,83 m (6 pieds) du sol et en évitant tout contact avec les véhicules, afin d'éviter tout déclenchement accidentel.
7. Ne branchez JAMAIS l'ouvre-porte de garage à une source d'alimentation avant d'y être invité.
8. NE portez JAMAIS de montres, bagues ou vêtements amples en installant ou entretenant l'ouvre-porte. Ils pourraient être happés dans les mécanismes de porte de garage ou d'ouvre-porte.
9. Installez la commande de porte de garage murale :
 - en vue de la porte de garage.
 - hors de portée des jeunes enfants, à une hauteur minimale de 1,5 m (5 pieds) au-dessus du sol, des paliers, des marches ou de toute autre surface de marche adjacente.
 - loin de TOUTES les pièces mobiles de la porte.
10. Placez une étiquette d'avertissement de piégeage sur le mur, à côté de la commande de porte de garage, dans un endroit bien en vue.
11. Placez l'étiquette de test d'inversion de sécurité/déclenchement d'urgence bien en vue à l'intérieur de la porte de garage.
12. Une fois l'installation terminée, testez le système d'inversion de sécurité. La porte DOIT s'inverser au contact d'un objet de 3,8 cm (1-1/2 po) de haut (ou un 2x4 posé à plat) sur le sol.
13. N'INSTALLEZ PAS cet appareil sur une porte d'une seule pièce si vous utilisez des dispositifs ou des fonctionnalités permettant une fermeture sans surveillance. Les dispositifs et fonctionnalités sans surveillance doivent être utilisés UNIQUEMENT avec des portes sectionnelles.

14. CONSERVER CES INSTRUCTIONS.

Installation

ÉTAPE 1 Déterminer l'emplacement du support de linteau

AVERTISSEMENT

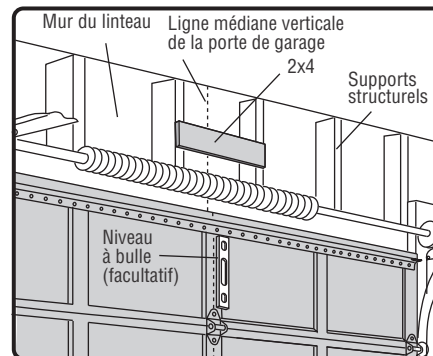
Pour éviter d'éventuelles BLESSURES GRAVES voire MORTELLES :

- Le support de linteau DOIT être fixé RIGIDEMENT au support structurel du mur du linteau ou du plafond car sinon la porte de garage risquerait de NE PAS s'inverser si nécessaire. N'installez PAS le support de linteau sur une cloison sèche.
- Des ancrages à béton DOIVENT être utilisées si le support de linteau est monté ou de 2x4 dans la maçonnerie.
- N'essayez JAMAIS de desserrer, déplacer ou ajuster la porte de garage, les ressorts de porte, les câbles, les poulies, les supports ou leur matériel, qui sont TOUS sous une tension EXTRÊME.
- Appelez TOUJOURS un technicien qualifié en systèmes de porte si la porte de garage se coince, colle ou est déséquilibrée. Une porte de garage déséquilibrée risque de NE PAS s'inverser lorsque cela est nécessaire.

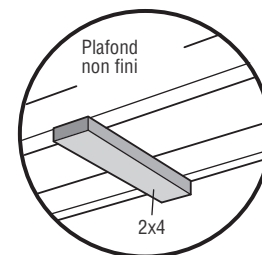
Les procédures d'installation varient selon les types de portes de garage. Suivez les instructions qui s'appliquent à votre porte.

1. Fermez la porte et marquez la ligne médiane verticale intérieure de la porte de garage.
2. Prolongez la ligne sur le mur du linteau au-dessus de la porte. Vous pouvez fixer le support de linteau à moins de 4 pieds (1,22 m) de la gauche ou de la droite du centre de la porte uniquement si un ressort de torsion ou une plaque d'appui centrale gêne, ou vous pouvez le fixer au plafond (voir page 16) lorsque le dégagement est minimal. (Il peut être monté au mur à l'envers si nécessaire, pour gagner environ 1 cm (1/2 po). Si vous devez installer le support de linteau sur un 2x4 (au mur ou au plafond), utilisez des tirefonds (non fournis) pour fixer solidement le 2x4 aux supports structurels, tel qu'illustré ici et à la page 16.
3. Ouvrez votre porte au point le plus élevé du déplacement tel qu'indiqué. Tracez une ligne horizontale sécante sur le mur du linteau à 5 cm (2 po) au-dessus du point le plus haut.
 - 5 cm (2 po) au-dessus du point haut pour porte sectionnelle et une porte monobloc avec rail.
 - 20 cm (8 po) au-dessus du point haut pour une porte monobloc sans rail.

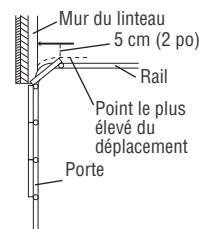
Cette hauteur fournira un espace de déplacement pour le bord supérieur de la porte.
REMARQUE : Si le nombre total de pouces dépasse la hauteur disponible dans votre garage, utilisez la hauteur maximale possible ou reportez-vous à la page 16 pour l'installation au plafond.



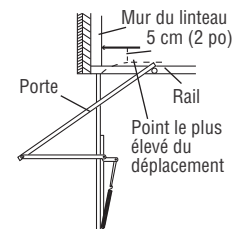
FIXATION AU PLAFOND EN OPTION POUR SUPPORT DE LINTEAU



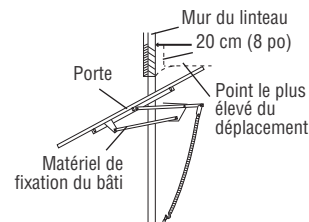
Porte sectionnelle avec rail incurvé



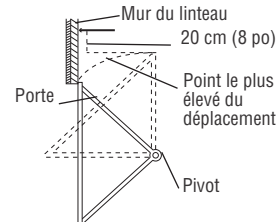
Porte monobloc avec rail horizontal



Porte monobloc sans rail : matériel de fixation du bâti



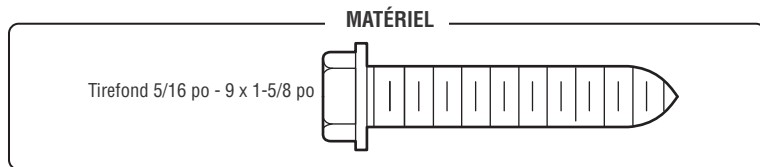
Porte monobloc sans rail : matériel de fixation pivotant



Installation

ÉTAPE 2 Installer le support de linteau

Vous pouvez fixer le support de linteau soit au mur au-dessus de la porte de garage, soit au plafond. Suivez les instructions qui conviendront le mieux à vos besoins particuliers. N'installez pas le support de linteau sur une cloison sèche. **Si vous effectuez l'installation dans de la maçonnerie, utilisez des ancrages à béton (non fournis).**



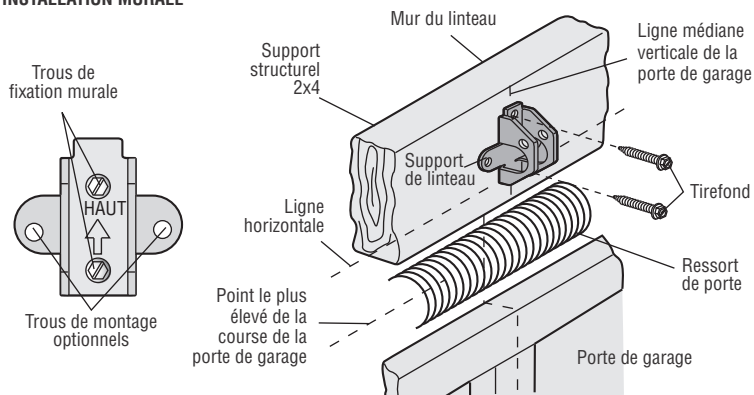
OPTION A : INSTALLATION MURALE

1. Centrez le support placé sur la ligne médiane verticale sur le bord inférieur du support placé sur la ligne horizontale tel qu'indiqué (la flèche orientée vers le plafond).
2. Marquez l'ensemble vertical de trous de support. Percez des avant-trous de 3/16 po et fixez solidement le support à un support structurel avec la quincaillerie fournie.

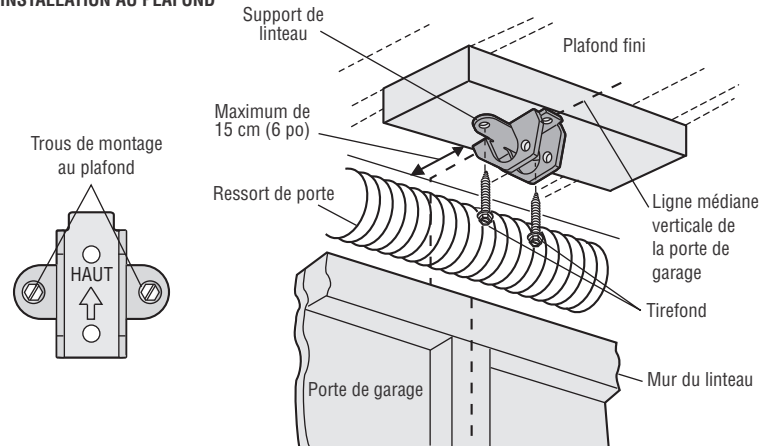
OPTION B : INSTALLATION AU PLAFOND

1. Étendez la ligne médiane verticale sur le plafond tel qu'indiqué.
2. Centrez le support sur la marque verticale, à un espacement maximum de 15 cm (6 po) du mur. Vérifiez que la flèche est dirigée à l'opposé du mur. Le support peut être monté au ras du plafond lorsque le dégagement est minimal.
3. Marquez les trous latéraux. Percez des avant-trous de 3/16 po et fixez solidement le support à un support structurel avec la quincaillerie fournie.

INSTALLATION MURALE



INSTALLATION AU PLAFOND



Installation

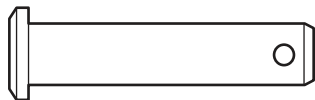
ÉTAPE 3 Fixer le rail au support de linteau

1. Placez l'ouvre-porte sur le sol du garage, sous le support de linteau. Utilisez des matériaux d'emballage comme base de protection.

REMARQUE : Si le ressort de la porte gêne, vous aurez besoin d'aide. Demandez à quelqu'un de tenir fermement l'ouvre-porte sur un support temporaire pour permettre au rail de dégager le ressort.

2. Positionnez le support de rail contre le support de linteau.
3. Alignez les trous du support et joignez-les avec un axe à épaulement tel qu'illustré.
4. Insérez un anneau de fixation pour sécuriser.

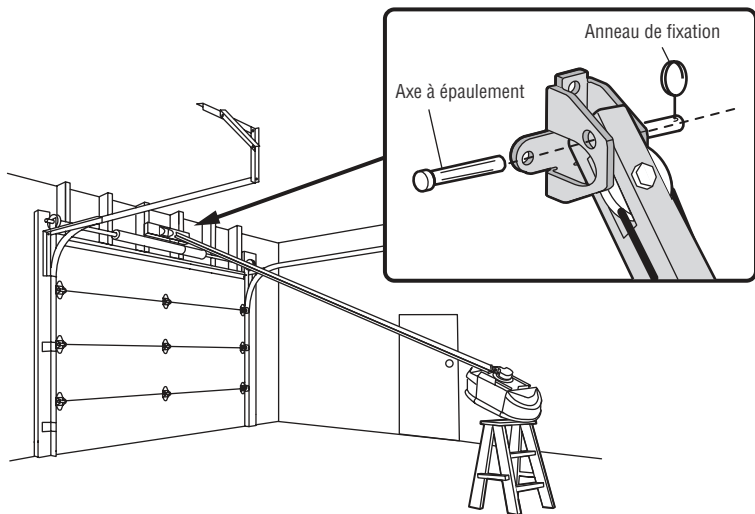
MATÉRIEL



Axe à épaulement
5/16 po x
1-1/2 po



Anneau de fixation



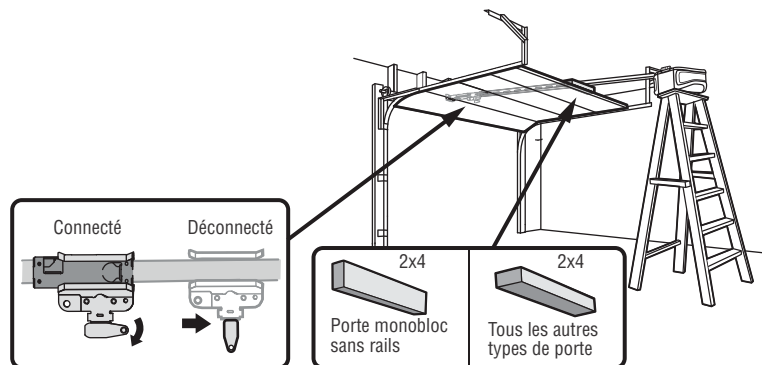
ÉTAPE 4 Positionner l'ouvre-porte de garage

⚠ AVERTISSEMENT

Pour éviter d'endommager la porte de garage, placez le rail de l'ouvre-porte de garage sur un 2x4 placé sur la partie supérieure de la porte.

1. Retirez le matériel d'emballage et soulevez l'ouvre-porte de garage sur une échelle.
2. Ouvrez complètement la porte et placez un 2x4 (à plat) sous le rail. Pour les portes monobloc sans rails, posez le 2x4 sur le côté.

REMARQUE : Un 2x4 est idéal pour régler la distance entre le rail et la porte. Si l'échelle n'est pas assez haute, vous aurez besoin d'aide à ce stade. Si la porte heurte le chariot lorsqu'il est relevé, tirez le bras de déclenchement du chariot vers le bas pour déconnecter les chariots intérieur et extérieur. Faites glisser le chariot extérieur vers l'ouvre-porte de garage. Le chariot peut rester déconnecté jusqu'à ce que vous soyez invité à le connecter.



Installation

ÉTAPE 5 Accrocher l'ouvre-porte de garage

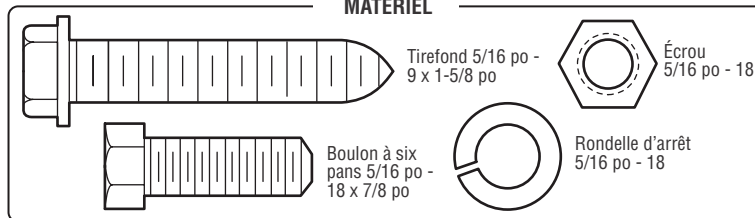
AVERTISSEMENT

Pour éviter d'éventuelles BLESSURES GRAVES causées par la chute d'un ouvre-porte de garage, fixez-le SOLIDEMENT aux supports de la structure du garage. Des ancrages à béton DOIVENT être utilisés si vous installez TOUT support dans la maçonnerie.

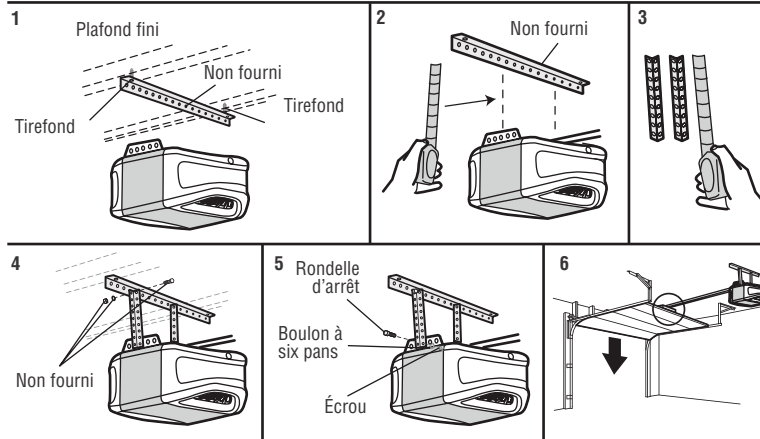
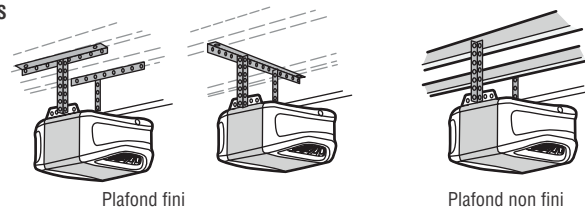
La suspension de l'ouvre-porte de garage varie en fonction de votre garage. Vous trouverez ci-dessous trois exemples d'installation. Il est possible que votre installation soit différente. Pour TOUTES les installations, l'ouvre-porte de garage DOIT être connecté aux supports structuraux. Les instructions illustrent l'un des exemples ci-dessous.

1. Sur les plafonds finis, utilisez les tirefonds pour fixer un support (non fourni) aux supports structurels avant d'installer l'ouvre-porte de garage.
2. Assurez-vous que l'ouvre-porte de garage est aligné avec le support de linteau. Mesurez la distance entre chaque côté de l'ouvre-porte de garage et le support.
3. Coupez les deux morceaux du support de suspension (non fourni) aux longueurs requises.
4. Fixez l'extrémité de chaque support de suspension au support avec le matériel approprié (non fourni).
5. Fixez l'ouvre-porte de garage aux supports de suspension à l'aide des boulons à six pans, rondelles d'arrêt et écrous.
6. Retirez le 2x4 et fermez manuellement la porte. Si la porte heurte le rail, soulevez le support de linteau.

MATÉRIEL



EXEMPLES



Installation

ÉTAPE 6 Installer les ampoules

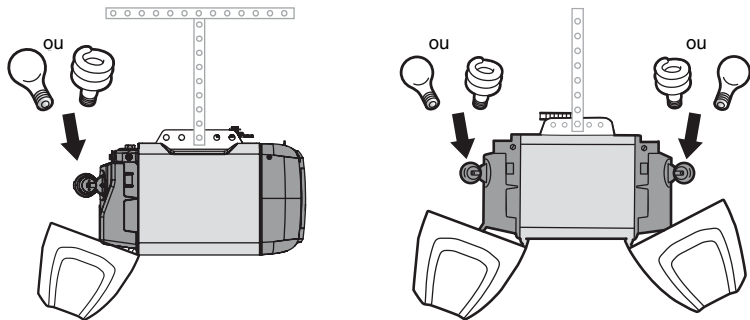
ATTENTION

Pour éviter toute SURCHAUFFE éventuelle du panneau d'extrémité ou de la douille d'éclairage :

- Utilisez UNIQUEMENT des ampoules de type A19.
- N'utilisez PAS d'ampoules à incandescence de plus de 100 W.
- N'utilisez PAS d'ampoules fluorescentes compactes de plus de 26 W (100 W ou équivalent).
- N'utilisez PAS d'ampoules halogènes.
- N'utilisez PAS des ampoules à col court ou de forme spéciale.

Les ampoules à DEL peuvent causer des interférences radio avec la télécommande. Utilisez UNIQUEMENT les ampoules à DEL recommandées ici : chamberlain.com/bulb.

1. Tirez la lentille vers le bas.
2. Insérez l'ampoule.
3. Fermez la lentille.



ÉTAPE 7 Fixer la corde et la poignée de déclenchement d'urgence

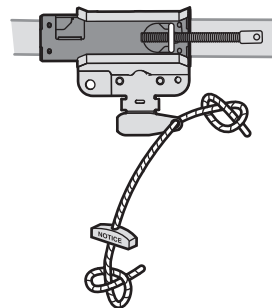
AVERTISSEMENT

Pour éviter d'éventuelles BLESSURES GRAVES voire MORTELLES causées par une porte de garage qui tombe

- Utilisez si possible la poignée de déclenchement d'urgence pour dégager le chariot UNIQUEMENT lorsque la porte de garage est FERMÉE. Des ressorts faibles ou cassés, ou une porte déséquilibrée peuvent entraîner une chute rapide et/ou inattendue d'une porte ouverte.
- N'utilisez JAMAIS la poignée de déclenchement d'urgence avant que toutes les personnes et les obstacles aient été retirés du trajet qu'elle suivra.
- N'utilisez JAMAIS la poignée pour ouvrir ou fermer la porte. Si le nœud de la corde se défait, vous risquez de tomber.

1. Insérez une extrémité de la corde de déclenchement d'urgence à travers la poignée. Vérifiez que « NOTICE » (AVIS) est à l'endroit. Fixez avec un nœud simple à un minimum de 2,5 cm (1 po) de l'extrémité de la corde pour éviter qu'elle glisse.
2. Insérez l'autre extrémité de la corde de déclenchement d'urgence dans le trou du bras de déclenchement du chariot. Montez le déclenchement d'urgence à portée de main, mais à au moins 1,83 m (6 pi) au-dessus du sol, en évitant tout contact avec les véhicules pour éviter un déclenchement accidentel, puis fixez-le avec un nœud plat.

REMARQUE : Si vous devez couper la corde de déclenchement d'urgence, arrêtez l'extrémité coupée avec une allumette ou un briquet pour éviter qu'elle ne s'effiloche. Vérifiez que la corde et la poignée de déclenchement d'urgence se trouvent au-dessus du toit de tous les véhicules pour éviter tout enchevêtrement éventuel.



Installation

ÉTAPE 8 Installer le support de porte

ATTENTION

Les portes de garage en fibre de verre, en aluminium ou en acier léger **DEVRONT** être renforcées **AVANT** l'installation du support de porte. Contactez le fabricant de la porte de garage ou le revendeur qui s'est chargé de l'installation pour obtenir des instructions sur un renfort d'ouvre-porte ou un kit de renfort. Le fait de ne pas renforcer la section supérieure tel que requis par le fabricant de la porte risque d'annuler la garantie de cette dernière.

Un renfort horizontal et vertical est nécessaire pour les portes de garage légères (fibre de verre, aluminium, acier, portes avec panneau de verre, etc.) (non fourni). Une entretoise de renfort horizontale doit être suffisamment longue pour être fixée à deux ou trois supports verticaux. Un renfort vertical doit couvrir la hauteur du panneau supérieur. Contactez le fabricant de la porte de garage ou le revendeur qui s'est chargé de l'installation pour obtenir des instructions sur un renfort d'ouvre-porte ou un kit de renfort.

REMARQUE : De nombreux kits de renfort de porte permettent de fixer directement l'axe à épaulement et le bras de porte. Dans ce cas, vous n'aurez pas besoin du support de porte; passez directement à l'étape suivante.

OPTION A : PORTES SECTIONNELLES

1. Centrez le support de porte sur la ligne médiane verticale que vous avez tracée auparavant et utilisée pour installer le support de linteau. Notez que le placement correct est vers le HAUT, tel qu'indiqué à l'intérieur du support.
2. Positionnez le bord supérieur du support entre 5 et 10 cm (2 et 4 po) sous le bord supérieur de la porte OU directement sous tout support structurel du dessus de la porte.
3. Marquez des trous et percez-les, puis procédez à l'installation comme suit, selon la construction de votre porte.

Portes métalliques ou légères utilisant une équerre verticale dans le support de panneau de porte et le support de porte :

- Percez des trous de fixation de 3/16 po. Fixez le support de porte à l'aide des deux vis autotaraudeuses 1/4 po - 14 x 5/8 po. (Figure 1)
- Dans l'alternative, utilisez deux boulons de 5/16 po - 18 x 2 po, des rondelles d'arrêt et des écrous (non fournis). (Figure 2)

Portes métalliques, isolées ou légères renforcées en usine :

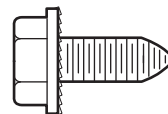
- Percez des trous de fixation de 3/16 po. Fixez le support de porte à l'aide des vis autotaraudeuses. (Figure 3)

Portes en bois :

- Utilisez les trous du support de porte en haut et bas ou de côté à côté. Percez des trous de 5/16 po à travers la porte et fixez le support avec des boulons ordinaires 5/16 po - 18 x 2 po, des rondelles d'arrêt et des écrous (non fournis). (Figure 4)

REMARQUE : Les vis autotaraudeuses 1/4 po - 14 x 5/8 po ne sont pas destinées à être utilisées sur des portes en bois.

MATÉRIEL



Vis autotaraudeuse
1/4 po - 14 x 5/8 po

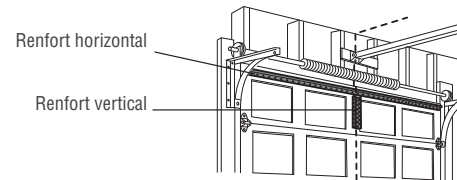


FIGURE 1

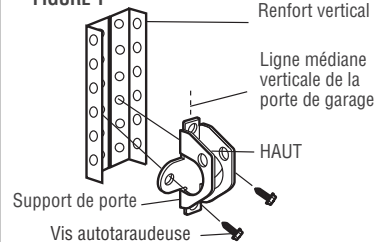


FIGURE 2

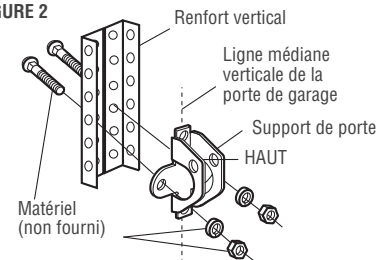


FIGURE 3

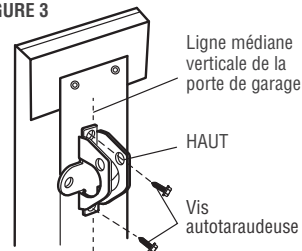
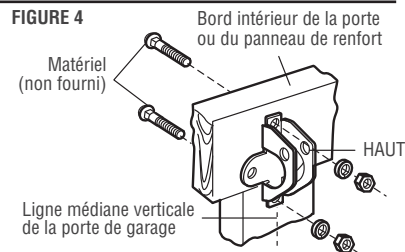


FIGURE 4



Installation

ÉTAPE 8 Installer le support de porte (suite)

OPTION B - PORTES MONOBLOC

1. Centrez le support de porte sur le dessus de la porte, en ligne avec le support de linteau tel qu'illustré.
2. Marquez soit les trous de gauche et de droite, soit les trous du haut et du bas.

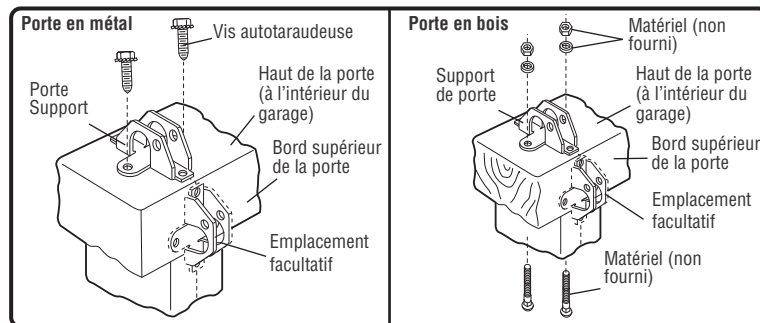
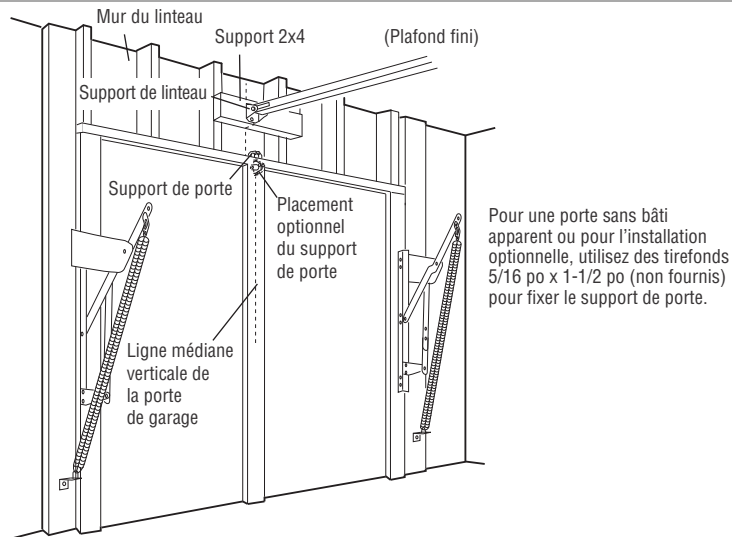
Portes en métal :

- Percez des avant-trous de 3/16 po et fixez le support avec les vis autotaraudeuses fournies.

Portes en bois :

- Percez des trous de 5/16 po et utilisez des boulons ordinaires, des rondelles d'arrêt et des écrous de 5/16 po - 18 x 2 po (non fournis) ou des tirefonds 5/16 po x 1 - 1/2 po (non fournis) selon vos besoins d'installation.

REMARQUE : Le support de porte peut être installé sur le bord supérieur de la porte si nécessaire pour votre installation. (Reportez-vous au dessin de placement optionnel en pointillés.)



Installation

ÉTAPE 9 Connecter le bras de porte au chariot

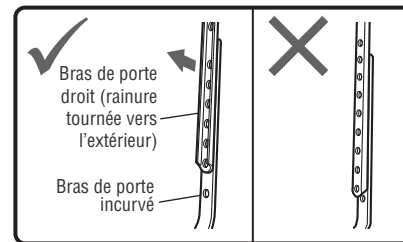
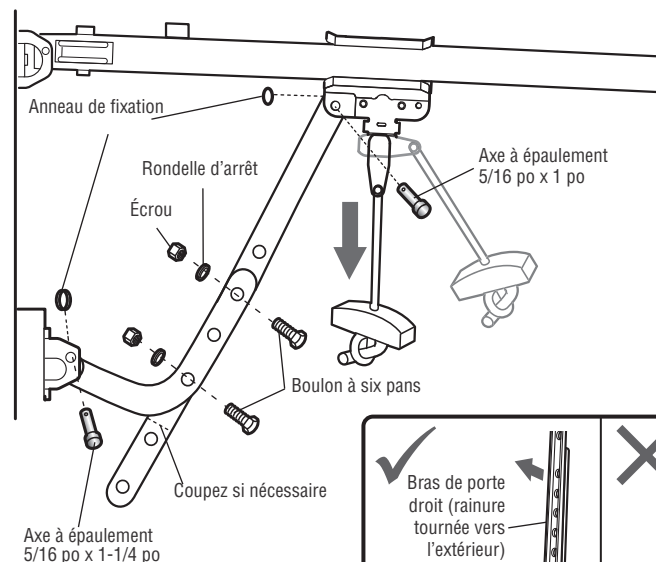
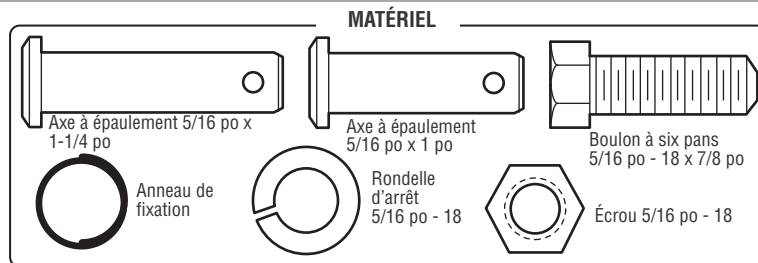
L'installation variera selon le type de porte de garage. Suivez les instructions qui s'appliquent à votre porte.

OPTION A - PORTES SECTIONNELLES

IMPORTANT : La rainure du bras de porte droit DOIT faire face à l'opposé du bras de porte incurvé.

1. Fermez la porte. Déconnectez le chariot en tirant sur la poignée de déclenchement d'urgence.
2. Fixez le bras droit de la porte au chariot extérieur à l'aide de l'axe à épaulement. Fixez avec l'anneau de fixation.
3. Fixez le bras de porte incurvé au support de porte à l'aide de l'axe à épaulement. Fixez avec l'anneau de fixation.
4. Rassemblez les sections des bras. Trouvez deux paires de trous qui s'alignent et joignez les sections. Sélectionnez des trous aussi éloignés que possible pour augmenter la rigidité du bras de porte et fixez-les à l'aide des boulons, des écrous et des rondelles d'arrêt.
5. Tirez la poignée de déclenchement d'urgence vers l'ouvre-porte de garage jusqu'à ce que le bras de déclenchement du chariot soit horizontal. Le chariot se réengage automatiquement lorsque l'ouvre-porte de garage est activé.

REMARQUE : Si les trous du bras de porte incurvé et du bras de porte droit ne s'alignent pas, inversez le bras de porte droit, sélectionnez deux trous (aussi éloignés que possible) et fixez-les à l'aide des boulons, écrous et rondelles d'arrêt. Si le bras droit de la porte descend trop bas, vous pouvez couper 15 cm (6 po) de l'extrémité solide.



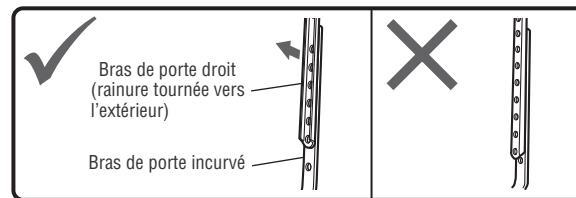
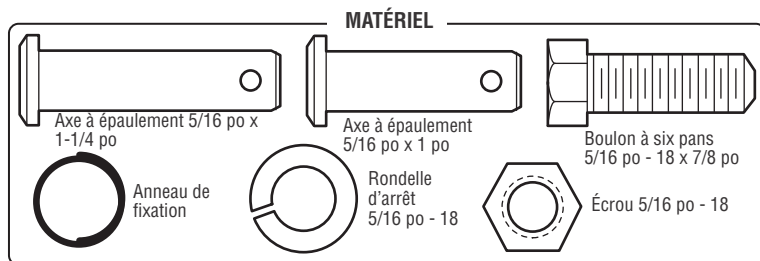
Installation

ÉTAPE 9 Connecter le bras de porte au chariot (suite)

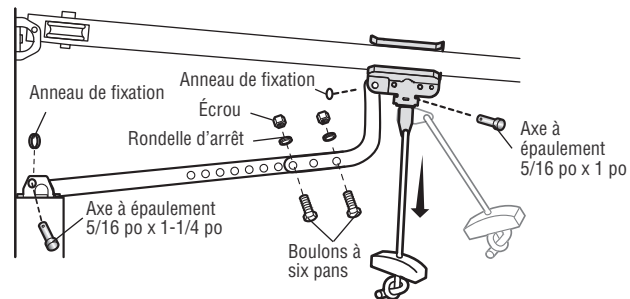
OPTION B - PORTES MONOBLOC

IMPORTANT : La rainure du bras de porte droit DOIT faire face à l'opposé du bras de porte incurvé.

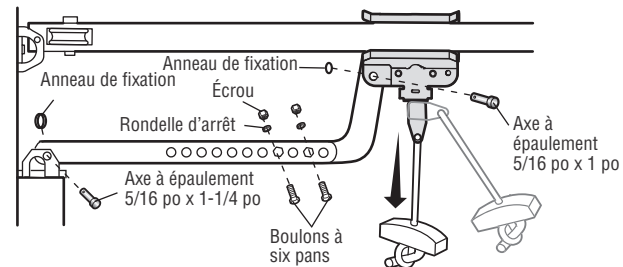
1. Fermez la porte. Déconnectez le chariot en tirant sur la poignée de déclenchement d'urgence.
2. Fixez le bras de porte droit et le bras de porte incurvé ensemble à la longueur la plus longue possible (avec un chevauchement de 2 ou 3 trous) à l'aide des boulons, écrous et rondelles d'arrêt.
3. Fixez le bras de porte droit au support de porte à l'aide de l'axe à épaulement. Fixez avec l'anneau de fixation.
4. Fixez le bras de porte incurvé au chariot à l'aide de l'axe à épaulement. Fixez avec l'anneau de fixation.
5. Tirez la poignée de déclenchement d'urgence vers l'ouvre-porte de garage jusqu'à ce que le bras de déclenchement du chariot soit horizontal.



Porte monobloc sans rail



Porte monobloc avec rail



Installation

ÉTAPE 10 Installer la commande de porte BOUTON POUSSOIR DE LA COMMANDE DE PORTE

AVERTISSEMENT

Pour éviter d'éventuelles BLESSURES GRAVES voire MORTELLES par électrocution :

- Vérifiez que l'alimentation n'est PAS branchée AVANT d'installer la commande de porte.
- Connectez la commande de porte UNIQUEMENT aux fils basse tension de 12 VOLTS.

Pour éviter d'éventuelles BLESSURES GRAVES voire MORTELLES causées par la fermeture d'une porte de garage :

- Installez la commande de porte à portée de vue de la porte de garage, hors de portée des jeunes enfants, à une hauteur minimale de 5 pieds (1,5 m) au-dessus du sol, des paliers, des marches ou de toute autre surface de marche adjacente, et loin de TOUTES les pièces mobiles de la porte.
- N'autorisez JAMAIS des enfants à utiliser ou jouer avec les boutons de commande de porte ou les émetteurs de la télécommande.
- Activez la porte UNIQUEMENT lorsqu'elle est clairement visible et correctement réglée, et qu'il n'y a pas d'obstacles au déplacement de la porte.
- Gardez TOUJOURS la porte de garage en vue jusqu'à ce qu'elle soit complètement fermée. Ne permettez JAMAIS à quiconque de passer la ligne de la porte de garage lorsqu'elle est en train de se fermer.

INTRODUCTION

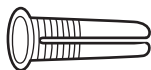
Installez la commande de porte à portée de vue de la porte de garage à une hauteur minimale de 5 pieds (1,5 m) au-dessus du sol, des paliers, des marches ou de toute autre surface de marche adjacente, hors de portée des jeunes enfants et loin des pièces mobiles de la porte.

REMARQUE : Il est possible que votre produit soit différent des illustrations.

MATÉRIEL



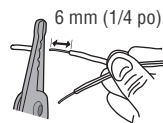
Vis 6 AB x 1-1/2 po (2)



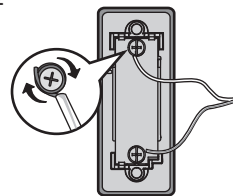
Ancrages pour cloisons sèches (2)

1. Dénudez 6 mm (1/4 po) d'isolant à une extrémité du fil et séparez les fils.
2. Connectez un fil à chacune des deux vis à l'arrière de la commande de porte. Les fils peuvent être connectés à l'une ou l'autre des vis.
3. Montez la commande de la porte avec le matériel fourni.

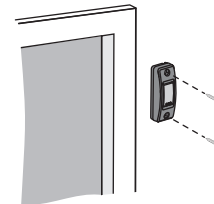
1



2



3



Installation

PANNEAU DE COMMANDE À PLUSIEURS FONCTIONS

AVERTISSEMENT

Pour éviter d'éventuelles BLESSURES GRAVES voire MORTELLES par électrocution :

- Vérifiez que l'alimentation n'est PAS branchée AVANT d'installer la commande de porte.
- Connectez la commande de porte UNIQUEMENT aux fils basse tension de 12 VOLTS.

Pour éviter d'éventuelles BLESSURES GRAVES voire MORTELLES causées par la fermeture d'une porte de garage :

- Installez la commande de porte à portée de vue de la porte de garage, hors de portée des jeunes enfants, à une hauteur minimale de 5 pieds (1,5 m) au-dessus du sol, des paliers, des marches ou de toute autre surface de marche adjacente, et loin de TOUTES les pièces mobiles de la porte.
- N'autorisez JAMAIS des enfants à utiliser ou jouer avec les boutons de commande de porte ou les émetteurs de la télécommande.
- Activez la porte UNIQUEMENT lorsqu'elle est clairement visible et correctement réglée, et qu'il n'y a pas d'obstacles au déplacement de la porte.
- Gardez TOUJOURS la porte de garage en vue jusqu'à ce qu'elle soit complètement fermée. Ne permettez JAMAIS à quiconque de passer la ligne de la porte de garage lorsqu'elle est en train de se fermer.

INTRODUCTION

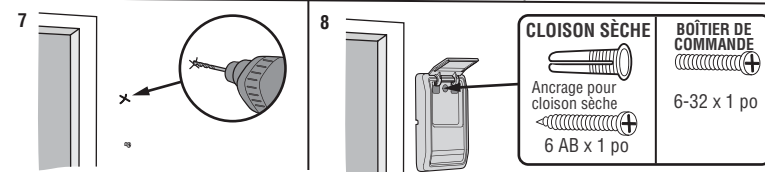
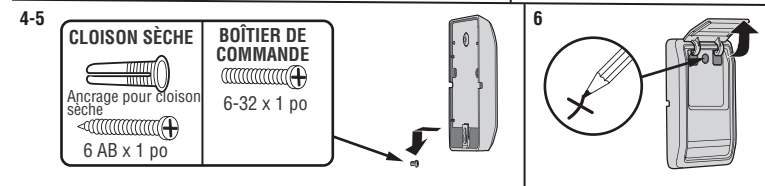
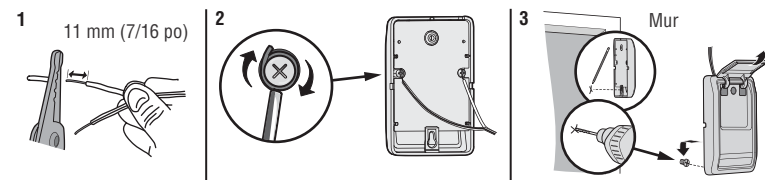
Les anciennes commandes de porte Chamberlain et les produits de tiers ne sont pas compatibles. Installez la commande de porte à portée de vue de la porte de garage, hors de portée des jeunes enfants, à une hauteur minimale de 1,5 m (5 pi) au-dessus du sol, des paliers, des marches ou de toute autre surface de marche adjacente, et loin de TOUTES les pièces mobiles de la porte. Pour les installations d'une boîte de commande, il n'est pas nécessaire de percer des trous ou d'installer des ancrages pour cloisons sèches. Utilisez les trous existants de la boîte de commande.

REMARQUE : Il est possible que votre produit soit différent des illustrations.

MATÉRIEL



1. Dénudez 11 mm (1/16 po) d'isolant à une extrémité du fil et séparez les fils.
2. Connectez un fil à chacune des deux vis à l'arrière de la commande de porte. Les fils peuvent être connectés à l'une ou l'autre des vis. Si votre garage est pré-câblé pour la commande de porte, choisissez deux fils à connecter et notez quels fils sont utilisés afin que les bons fils soient connectés à l'ouvre-porte de garage dans une étape ultérieure.
3. Marquez l'emplacement du trou de montage inférieur et percez un trou de 5/32 po.
4. Installez la vis inférieure, en laissant 3 mm (1/8 po) dépasser du mur.
5. Positionnez le trou inférieur de la commande de porte sur la vis et faites-la glisser en place.
6. Soulevez la barre de poussée et marquez le trou supérieur.
7. Retirez la commande de porte du mur et percez un trou de 5/32 po pour la vis du haut.
8. Positionnez le trou inférieur de la commande de porte sur la vis et faites-la glisser en place. Fixez la vis supérieure.



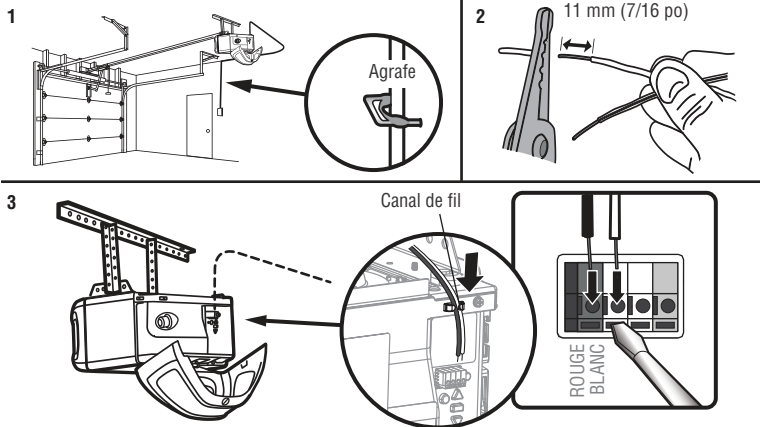
Installation

ÉTAPE 11 Câbler la commande de porte à l'ouvre-porte de garage

1. Faites passer le fil blanc et rouge/blanc de la commande de porte à l'ouvre-porte de garage. Fixez le fil au mur et au plafond avec l'agrafe (ne s'applique pas aux boîtes de commande ou aux installations pré-câblées). Ne percez pas le fil avec l'agrafe car ceci risquerait de créer un court-circuit ou un circuit ouvert.
2. Dénudez 11 mm (7/16 po) d'isolant à l'extrémité du fil, près de l'ouvre-porte de garage.
3. Connectez le fil aux bornes rouge et blanche de l'ouvre-porte de garage. Si votre garage est pré-câblé, veillez à utiliser les mêmes fils que ceux connectés à la commande de porte. Pour insérer ou libérer les fils de la borne, enfoncez la languette avec la pointe d'un tournevis.

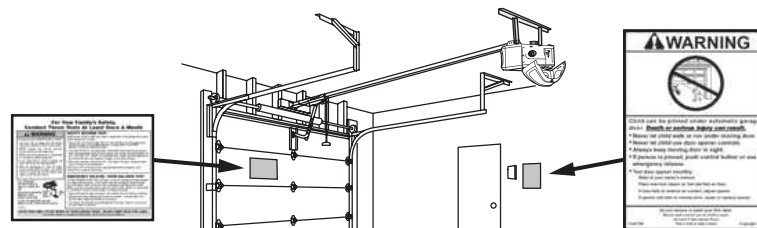
MATÉRIEL

Agrafe isolée (non illustré)



ÉTAPE 12 Fixer les étiquettes d'avertissement

1. Fixez l'étiquette d'avertissement de piégeage sur le mur, près de la commande de porte, avec des punaises ou des agrafes.
2. Fixez l'étiquette de test de déclenchement manuel/d'inversion de sécurité à un endroit visible à l'intérieur de la porte de garage.



Installation

ÉTAPE 13 Installer le Protector System®

AVERTISSEMENT

Vérifiez que l'alimentation n'est PAS connectée à l'ouvre-porte de garage AVANT d'installer le capteur d'inversion de sécurité. Pour éviter des BLESSURES GRAVES voire MORTELLES en fermant la porte de garage :

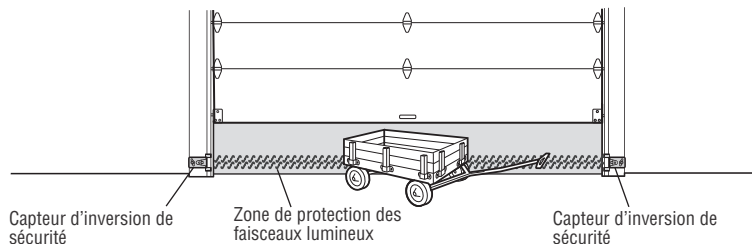
- Raccordez et alignez correctement le capteur d'inversion de sécurité. Ce dispositif de sécurité requis NE DOIT PAS être désactivé.
- Installez le capteur d'inversion de sécurité de sorte que le faisceau ne soit PAS à une HAUTEUR SUPÉRIEURE à 15 cm (6 po) du sol du garage.

IMPORTANT : Les capteurs d'inversion de sécurité DOIVENT être connectés et alignés correctement avant que l'ouvre-porte de garage ne se déplace vers le bas.

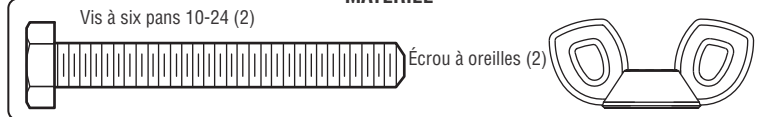
Le système de protection® comprend deux capteurs d'inversion de sécurité qui utilisent un faisceau lumineux pour empêcher la fermeture de la porte de garage. Le capteur émetteur (DEL orange) transmet le faisceau au capteur récepteur (DEL verte) lorsque les deux sont alimentés et alignés. Si un obstacle brise le faisceau lumineux pendant la fermeture de la porte, la porte s'arrête, puis retourne en position complètement ouverte.

En installant les capteurs d'inversion de sécurité, vérifiez ce qui suit :

- Les capteurs sont installés À L'INTÉRIEUR du garage.
- Les lentilles des capteurs se font face. **IMPORTANT : Ne laissez pas la lumière directe du soleil atteindre le capteur récepteur (DEL verte).**
- Le faisceau du capteur n'est PAS à une HAUTEUR SUPÉRIEURE à 15 cm (6 po) du sol et le faisceau lumineux n'est pas obstrué.



MATÉRIEL

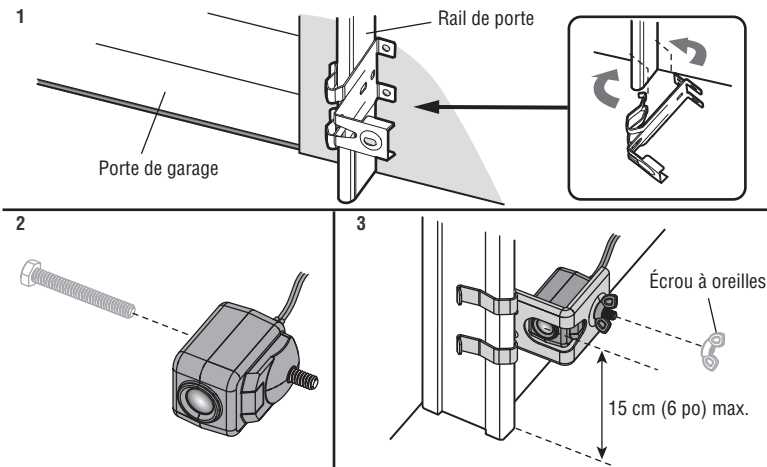


Les capteurs d'inversion de sécurité sont conçus pour se clipser sur le rail de la porte avec les supports de capteur fournis. Si le rail de porte ne supporte pas le support du capteur, une installation murale est recommandée. Le faisceau du capteur ne doit PAS être à une HAUTEUR SUPÉRIEURE à 15 cm (6 po) au-dessus du sol.

INSTALLATION DU RAIL DE PORTE

1. Faites glisser les bras incurvés du support de capteur autour du bord du rail de porte. Enclenchez-le de manière à ce que le support du capteur affleure le rail.
2. Faites glisser la vis à six pans à travers le capteur.
3. Fixez le capteur au support avec l'écrou à oreilles. Vérifiez que l'objectif n'est pas obstrué par le support.

Répétez les étapes avec l'autre capteur sur le rail de porte opposé. Les deux lentilles doivent se faire face.



Installation

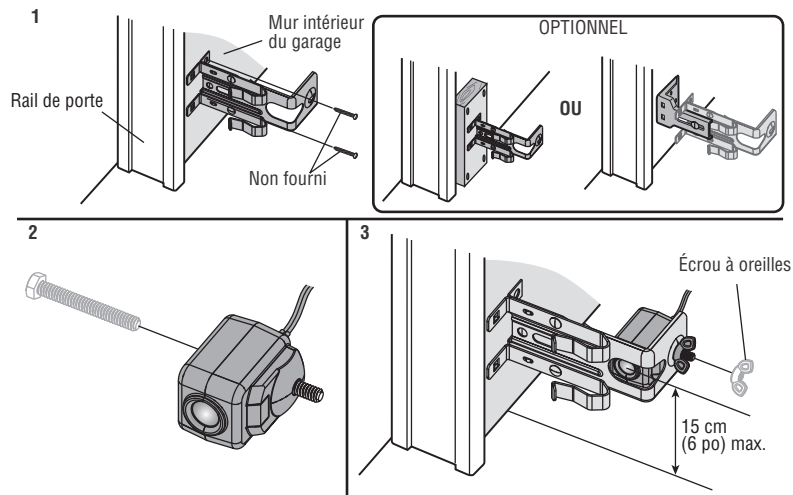
ÉTAPE 13 Installer le Protector System (suite)

OPTION MURALE

Assurez-vous que les supports de chaque côté sont éloignés du rail de la porte et ont le même dégagement afin que les capteurs s'alignent correctement. Si un dégagement supplémentaire est nécessaire, utilisez des supports d'extension 041A5281-1 (non fournis) ou des blocs de bois.

1. Fixez le support du capteur contre le mur avec deux tirefonds (non fournis).
2. Faites glisser la vis à six pans à travers le capteur.
3. Fixez le capteur au support avec l'écrou à oreilles. Vérifiez que l'objectif n'est pas obstrué par le support.

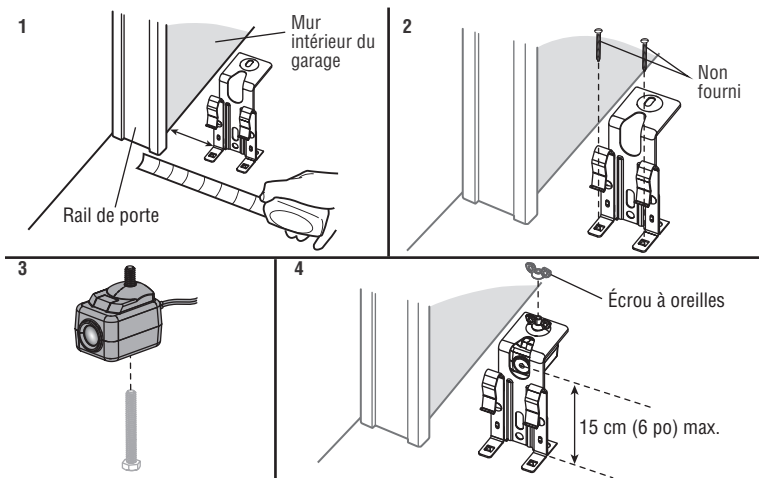
Répétez les étapes avec l'autre capteur sur le côté opposé de la porte de garage. Les deux lentilles doivent se faire face.



OPTION AU SOL

1. Mesurez la position des deux supports de capteur afin qu'ils soient à la même distance du mur et sans obstruction.
2. Fixez le support au sol avec des ancrages à béton (non fournis).
3. Faites glisser la vis à six pans à travers le capteur.
4. Fixez le capteur au support avec l'écrou à oreilles. Vérifiez que l'objectif n'est pas obstrué par le support.

Répétez les étapes avec l'autre capteur sur le côté opposé de la porte de garage. Les deux lentilles doivent se faire face.



Installation

ÉTAPE 14 Câbler les capteurs d'inversion de sécurité

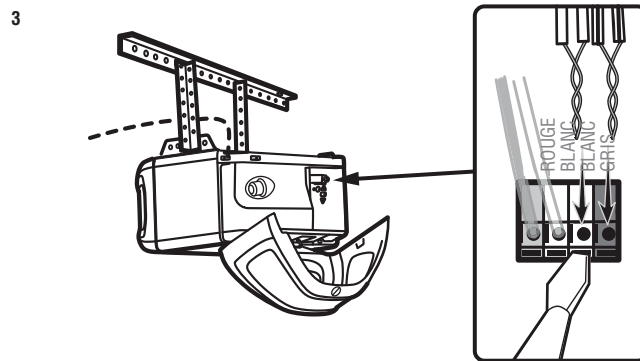
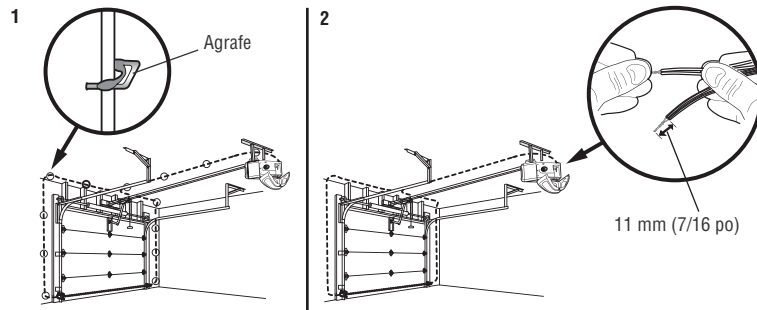
Si votre garage a un câblage pré-installé pour les capteurs d'inversion de sécurité, voir l'OPTION B – INSTALLATION PRÉ-CÂBLÉE, page 29.

OPTION A : INSTALLATION SANS PRÉ-CÂBLAGE

1. Faites passer le fil des deux capteurs à l'ouvre-porte de garage. Fixez avec des agrafes mais NE percez PAS le fil.
2. Séparez les fils du capteur et dénudez l'isolant à chaque extrémité. Torsadez les deux fils blancs ensemble. Torsadez ensuite les deux fils blanc/noir ensemble.
3. À l'aide d'un tournevis, enfoncez les languettes des bornes et insérez les fils blancs dans la borne blanche. Insérez les fils blanc/noir dans la borne grise.

MATÉRIEL

Agrafe isolée (non illustré)

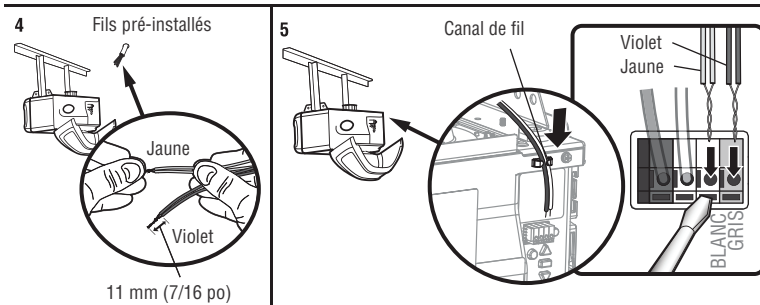
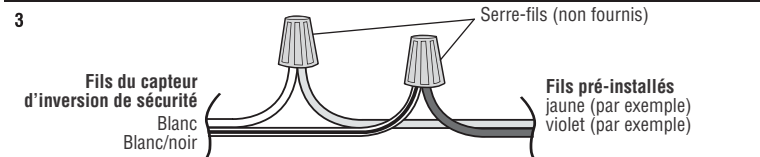
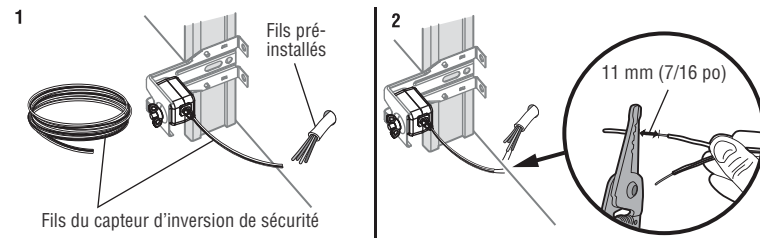


Installation

ÉTAPE 14 Câbler les capteurs d'inversion de sécurité (suite)

OPTION B : INSTALLATION PRÉCÂBLÉE

1. Coupez les fils du capteur, en vous assurant qu'il y a une longueur suffisante de fil pour atteindre les fils préinstallés du mur.
2. Séparez les fils du capteur et dénudez l'isolant à chaque extrémité. Choisissez deux des fils préinstallés et dénudez l'isolant à chaque extrémité. Choisissez les fils préinstallés de la même couleur pour chaque capteur.
3. Connectez les fils préinstallés aux fils du capteur avec des serre-fils en vous assurant que les couleurs correspondent pour chaque capteur.
4. Au niveau de l'ouvre-porte de garage, dénudez l'extrémité des fils connectés auparavant aux capteurs. Torsadez les fils de même couleur ensemble.
5. À l'aide d'un tournevis, enfoncez les languettes des bornes et insérez la couleur du fil connecté au fil blanc du capteur dans la borne blanche. Insérez l'autre couleur de fil connecté au fil blanc/noir du capteur dans la borne grise.



Installation

ÉTAPE 15 Connecter l'alimentation

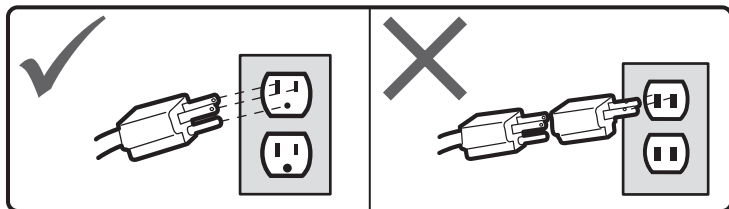
AVERTISSEMENT

Pour éviter les risques de BLESSURES GRAVES voire MORTELLES par électrocution ou incendie :

- Assurez-vous que le courant n'est PAS connecté à l'ouvre-porte, et débranchez le courant du circuit AVANT de retirer le couvercle pour établir une connexion permanente.
- L'installation et le câblage de la porte de garage DOIVENT être conformes à TOUS les codes électriques et de construction locaux.
- N'utilisez JAMAIS de rallonge, d'adaptateur à 2 fils ou ne modifiez en AUCUN cas la fiche pour l'adapter à la prise. Assurez-vous que l'ouvre-porte est mis à la terre.

Pour éviter les difficultés d'installation, assurez-vous de ne pas faire fonctionner l'ouvre-porte à ce moment-là.

Pour réduire le risque de choc électrique, votre ouvre-porte de garage est équipé d'une fiche de type mise à la terre avec une troisième goupille de mise à la terre. Cette fiche rentre seulement dans une prise de terre. Si la fiche ne rentre pas dans la prise, communiquez avec un électricien qualifié pour faire installer une prise adéquate.



IL EXISTE DEUX OPTIONS POUR CONNECTER L'ALIMENTATION :

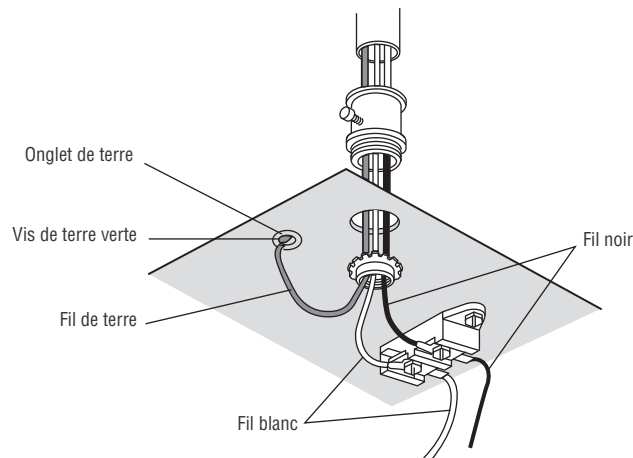
OPTION A - CÂBLAGE TYPIQUE

1. Branchez l'ouvre-porte de garage dans une prise de courant mise à la terre.
2. NE PAS faire fonctionner l'ouvre-porte de garage à ce moment-là.

OPTION B - CÂBLAGE PERMANENT

Si un câblage permanent est requis par votre code local, consultez la procédure suivante. Pour effectuer une connexion permanente à travers le trou de 7/8 pouces dans le haut de l'unité moteur (selon le code local) :

1. Retirez les vis du couvercle de l'unité moteur et mettez le couvercle de côté.
2. Retirez le cordon à trois broches qui y est attaché.
3. Connectez le fil noir (phase) à la vis de la borne en laiton; le fil blanc (neutre) à la vis de la borne argentée; et le fil de terre à la vis de terre verte. L'ouvre-porte doit être mis à la terre.
4. Réinstallez le couvercle.

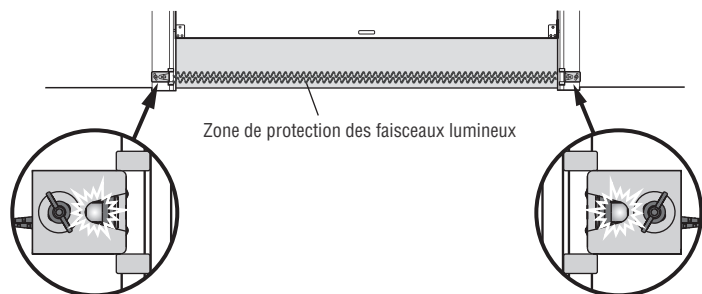


Installation

ÉTAPE 16 Aligner les capteurs d'inversion de sécurité

IMPORTANT : Les capteurs d'inversion de sécurité **DOIVENT** être connectés et alignés correctement avant que l'ouvre-porte de garage ne se déplace vers le bas.

Lorsque l'ouvre-porte de garage est alimenté en électricité, vérifiez les capteurs d'inversion de sécurité. Si les capteurs sont alignés et câblés correctement, les deux voyants à DEL s'allument en continu.

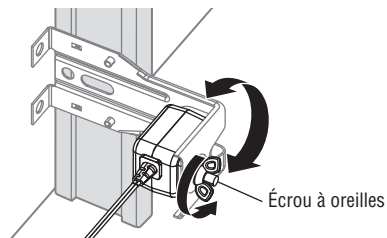


Capteur d'envoi - Voyant DEL ambre

Capteur de réception - LED verte
Un autocollant est collé au dos du capteur de réception.

Pour aligner les capteurs d'inversion de sécurité :

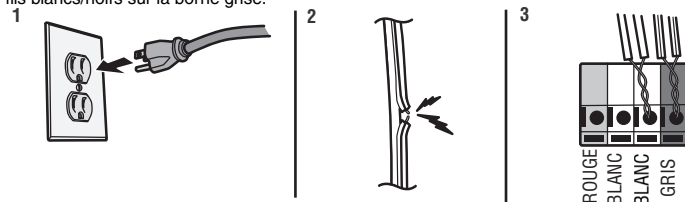
1. Desserrez les écrous à oreilles.
2. Ajustez les capteurs vers le haut ou vers le bas jusqu'à ce que les deux voyants DEL s'allument de manière continue, indiquant l'alignement.
3. Serrez l'écrou à oreilles pour fixer le capteur.



DÉPANNAGE DU CAPTEUR DE SÉCURITÉ

Si l'un des deux voyants des capteurs est éteint, le capteur n'est pas alimenté :

1. Vérifiez que l'ouvre-porte de garage est alimenté en électricité.
2. Vérifiez que le fil du capteur n'est pas court-circuité ou cassé.
3. Vérifiez que les capteurs sont correctement câblés; les fils blancs sur la borne blanche et les fils blancs/noirs sur la borne grise.



Si le voyant vert du capteur récepteur clignote, les capteurs sont obstrués ou mal alignés :

1. Vérifiez que le faisceau lumineux du capteur n'est pas obstrué.
2. Alignez les capteurs.
3. Si le capteur de réception (DEL verte) fait face à la lumière directe du soleil, interchangez le capteur de réception avec le capteur d'envoi et répétez l'ÉTAPE 12 de l'installation Protector System® page 27 pour garantir le bon fonctionnement.

ÉTAPE 17 S'assurer que la commande de la porte est correctement câblée

Si la commande de porte a été installée et câblée correctement, la DEL de commande sur le panneau de commande clignotera ou la DEL derrière le bouton-poussoir clignotera si l'installation a été effectuée correctement.

Ajustements

Introduction

AVERTISSEMENT

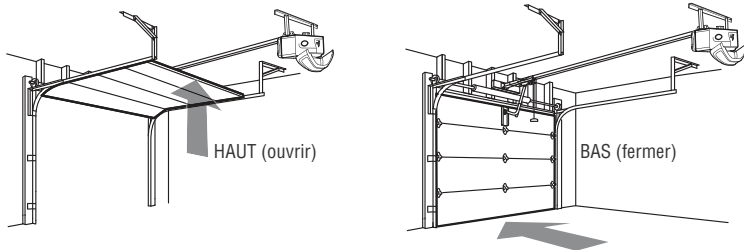
Si le capteur d'inversion de sécurité n'est pas installé correctement, les personnes (en particulier les jeunes enfants) peuvent SUBIR DES BLESSURES GRAVES voire MORTELLES par une porte de garage qui se ferme.

- Un réglage incorrect des limites de déplacement de la porte de garage empêchera le bon fonctionnement du système d'inversion de sécurité.
- Après TOUT réglage, le système d'inversion de sécurité DOIT être testé. La porte DOIT s'inverser au contact d'un objet d'une hauteur de 3,8 cm (1-1/2 po) (ou un 2x4 posé à plat) sur le sol.

ATTENTION

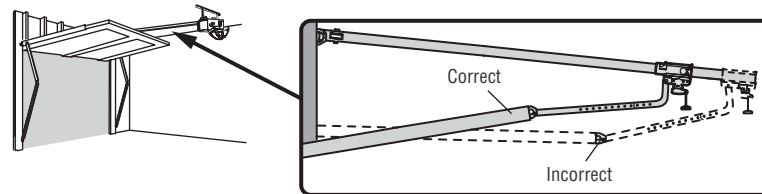
Pour éviter d'endommager les véhicules, assurez-vous que la porte complètement ouverte offre un espace suffisant.

L'ouvre-porte de votre garage est conçu avec des commandes électroniques pour faciliter la configuration et les réglages.



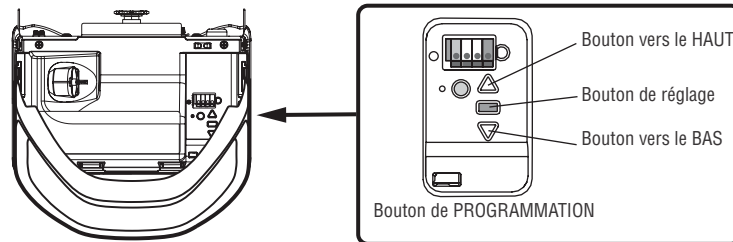
PORTES D'UNE SEULE PIÈCE UNIQUEMENT

Lors du réglage du déplacement vers le haut d'une porte à une seule pièce, assurez-vous que la porte n'est pas inclinée vers l'arrière lorsqu'elle est complètement ouverte (HAUT). Si la porte est inclinée vers l'arrière, cela provoquera des secousses inutiles lors de l'ouverture ou de la fermeture de la porte.



Bouton de programmation

Les boutons de programmation sont situés sur le panneau latéral gauche de l'ouvre-porte de garage et sont utilisés pour programmer le déplacement. Pendant la programmation, les boutons fléchés vers le HAUT et le BAS peuvent être utilisés pour déplacer la porte selon vos besoins.



Ajustements

1 Programmer le déplacement

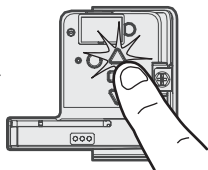
AVERTISSEMENT

Si le capteur d'inversion de sécurité n'est pas installé correctement, les personnes (en particulier les jeunes enfants) peuvent SUBIR DES BLESSURES GRAVES voire MORTELLES par une porte de garage qui se ferme.

- Un réglage incorrect des limites de déplacement de la porte de garage empêchera le bon fonctionnement du système d'inversion de sécurité.
- Après TOUT réglage, le système d'inversion de sécurité DOIT être testé. La porte DOIT s'inverser au contact d'un objet d'une hauteur de 2 cm (1-1/2 po) (ou un 2x4 posé à plat) sur le sol.

Remarque : Pendant la programmation, les boutons fléchés vers le HAUT et vers le BAS peuvent être utilisés pour déplacer la porte selon les besoins.

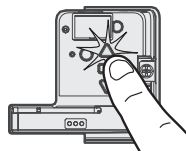
1 Appuyez sur le bouton de réglage et maintenez-le enfoncé jusqu'à ce que le bouton fléché vers le HAUT commence à clignoter et/ou qu'un bip se fasse entendre. Les capteurs d'inversion de sécurité seront déconnectés pendant le processus de programmation du déplacement.



2 Appuyez et maintenez le bouton fléché vers le HAUT jusqu'à ce que la porte soit dans la position OUVERTE souhaitée.



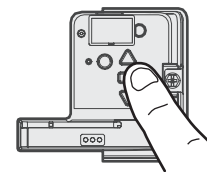
3 Lorsque la porte est dans la position souhaitée, appuyez et relâchez le bouton de réglage. Les lumières de l'ouvre-porte de garage clignoteront deux fois et le bouton fléché vers le BAS commencera à clignoter.



4 Appuyez et maintenez le bouton fléché vers le BAS jusqu'à ce que la porte soit dans la position BASSE souhaitée.



5 Lorsque la porte est dans la position BASSE souhaitée, appuyez et relâchez le bouton de réglage. Les lumières de l'ouvre-porte de garage clignoteront deux fois. Le programme du déplacement est maintenant terminé. Si les lumières de l'ouvre-porte de garage clignotent 5 fois, la programmation est terminée et les limites de déplacement n'ont pas été réglées. Veuillez redémarrer le processus de la programmation du déplacement.



2 Régler la force automatique

Lorsque les positions de montée et de descente ont été réglées manuellement, les capteurs d'inversion de sécurité se reconnectent et deviennent opérationnels. L'ouvre-porte entre ensuite dans une opération de détection de force en déplaçant automatiquement la porte pour l'ouvrir et la fermer. L'ouvre-porte de garage émet une alerte sonore et visuelle avant d'ouvrir et de fermer automatiquement la porte. L'ouvre-porte de garage émettra trois bips, confirmant que la configuration de la force automatique s'est déroulée avec succès. Le réglage est terminé.

Si vous entendez un long bip après que la porte ait tenté de se déplacer, cela signifie que le réglage de la force automatique ne s'est pas déroulé correctement. Veuillez recommencer à l'étape 1 de Programmer le déplacement.



Ajustements

3 Tester le système d'inversion de sécurité

AVERTISSEMENT

Si le capteur d'inversion de sécurité n'est pas installé correctement, les personnes (en particulier les jeunes enfants) peuvent SUBIR DES BLESSURES GRAVES voire MORTELLES par une porte de garage qui se ferme.

- Le système d'inversion de sécurité DOIT être testé tous les mois.
- Après TOUT réglage, le système d'inversion de sécurité DOIT être testé. La porte DOIT s'inverser au contact d'un objet de 3,8 cm (1-1/2 po) de haut (ou 2x4 posé à plat) sur le sol.

- 1** La porte étant complètement ouverte, placez une planche de 3,8 cm (1 1/2 pouce) ou un 2x4 posé à plat sur le sol, centré(e) sous la porte du garage.



- 2** La porte étant complètement ouverte, placez une planche de 3,8 cm (1 1/2 pouce) ou un 2x4 posé à plat sur le sol, centré(e) sous la porte du garage.



Si la porte s'arrête mais ne se réouvre pas :

1. Répétez la programmation du déplacement (voir l'étape de réglage 1) ;
2. Répétez le test d'inversion de sécurité.

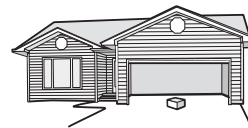
Si le test continue d'échouer, appelez un technicien qualifié en systèmes de portes.

4 Tester le Protector System®

AVERTISSEMENT

Si le capteur d'inversion de sécurité n'est pas installé correctement, les personnes (en particulier les jeunes enfants) peuvent SUBIR DES BLESSURES GRAVES voire MORTELLES par une porte de garage qui se ferme.

- 1** Ouvrez la porte. Placez un obstacle sur le chemin de la porte.



- 2** Appuyez sur le bouton poussoir de la télécommande pour fermer la porte. La porte ne bougera pas de plus de 2,5 cm (1 po).



L'ouvre-porte de garage ne se fermera pas à partir d'une télécommande si le témoin lumineux de l'un ou l'autre des capteurs est éteint (ce qui vous avertit du fait que le capteur est mal aligné ou obstrué).

Si l'ouvre-porte de garage ferme la porte lorsque le capteur d'inversion de sécurité est obstrué (et que les capteurs ne sont pas à plus de 15 cm [6 po] du sol), appelez un technicien qualifié en systèmes de portes.

Commande de l'application myQ®

Connectez-vous avec votre téléphone intelligent*

VOUS AUREZ BESOIN :

- Un téléphone intelligent, une tablette ou un ordinateur portable compatible Wi-Fi®
- Une connexion Internet à large bande
- Signal Wi-Fi® dans le garage (2,4 GHz, 802,11b/g/n requis), voir la page 5
- Mot de passe de votre réseau domestique (le compte principal du routeur; pas le réseau pour invités))
- Numéro de série myQ®, situé sur l'ouvre-porte de garage

TÉLÉCHARGER L'APPLICATION myQ® POUR CRÉER UN COMPTE ET SE CONNECTER

Ouvrez et fermez votre porte, recevez des alertes et définissez des horaires à partir de n'importe où. Les ouvre-porte de garage intelligents connectés

Reçoivent aussi des mises à jour logicielles pour s'assurer que l'ouvre-porte puisse utiliser les plus récentes caractéristiques de fonctionnement.

L'ouvre-porte de garage doit effectuer un cycle complet avant d'activer la programmation Wi-Fi®.

1. Téléchargez l'application myQ® App.
2. Créez un compte et connectez-vous.

Si l'application myQ® est déjà installée :

1. Vérifiez que votre appareil mobile possède le plus récent logiciel.
2. Téléchargez la dernière version de l'application myQ®.



Pour plus d'information sur la connexion de votre ouvre-porte de garage, consultez le site support.chamberlaingroup.com.

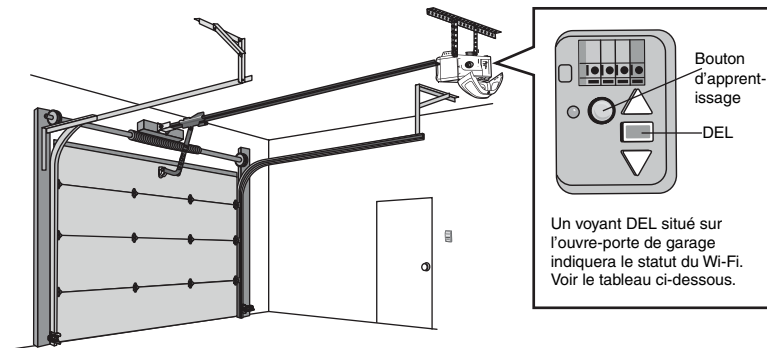
Remarques

Pour effacer les paramètres Wi-Fi® de l'ouvre-porte, voir page 39.

Google Play et le logo Google Play sont des marques de commerce de Google LLC.

L'App Store et les logos Apple et App Store sont des marques commerciales d'Apple Inc.

*Le contrôle par téléphone intelligent n'est pas disponible avec les modèles C2102 et D2101.



Statut Wi-Fi	
DEL	Définition
Bleu	Éteint - Le Wi-Fi® n'est pas activé. Cilignotant - L'ouvre-porte de garage est en mode d'apprentissage Wi-Fi®. Allumé en continu - L'appareil mobile est connecté à l'ouvre-porte de garage.
Bleu + Vert	Cilignotant - Tentative de connexion au routeur.
Vert	Cilignotant - Tentative de connexion au serveur Internet. Allumé en continu - Le Wi-Fi® a été configuré et l'ouvre-porte de garage est connecté à Internet.

CONSIGNES DE SÉCURITÉ IMPORTANTES



Pour réduire le risque de BLESSURES GRAVES voire MORTELLES :

1. LISEZ ET SUIVEZ TOUS LES AVERTISSEMENTS ET TOUTES LES INSTRUCTIONS.
2. Gardez TOUJOURS les télécommandes hors de portée des enfants. Ne permettez JAMAIS aux enfants de manipuler ou de jouer avec les boutons-poussoirs ou les télécommandes de la porte de garage.
3. Activez la porte UNIQUEMENT lorsqu'elle est clairement visible et réglée correctement, et qu'il n'y a pas d'obstacles à son déplacement.
4. Gardez TOUJOURS la porte de garage en vue et loin des personnes et des objets jusqu'à ce qu'elle soit complètement fermée. NE TRAVERSEZ JAMAIS LA PORTE LORSQU'ELLE EST EN MOUVEMENT.
5. PERSONNE NE DEVRAIT PASSER SOUS UNE PORTE ARRÊTÉE OU PARTIELLEMENT OUVERTE.
6. Dans la mesure du possible, utilisez UNIQUEMENT la poignée de déclenchement d'urgence pour désengager le chariot lorsque la porte du garage est FERMÉE. Soyez prudent lorsque vous utilisez cette poignée pendant que la porte est ouverte. Des ressorts abîmés ou une porte mal équilibrée pourraient entraîner une chute rapide ou inattendue d'une porte ouverte et augmenter le risque de BLESSURE GRAVE voire MORTELLE.
7. N'utilisez JAMAIS la poignée de déclenchement d'urgence si l'entrée de la porte de garage est obstruée.
8. N'utilisez JAMAIS la poignée pour ouvrir ou fermer la porte du garage. Si le nœud de la corde se défait, vous risquez de tomber.
9. Après TOUT réglage, le système d'inversion de sécurité DOIT être testé.
10. Le système d'inversion de sécurité DOIT être testé tous les mois. La porte DOIT s'inverser au contact d'un objet de 3,8 cm de haut (ou 2x4 posé à plat) sur le sol. Une installation inadéquate de l'ouvre-porte de garage augmente le risque de BLESSURE GRAVE ou FATALE.
11. GARDEZ TOUJOURS LA PORTE DE GARAGE CORRECTEMENT CALBRÉE (voir page 3). Une porte mal équilibrée risque de ne PAS s'inverser lorsque cela est nécessaire et pourrait entraîner des BLESSURES GRAVES voir MORTELLES.
12. TOUTES les réparations de câbles, ressorts et autre matériel, qui sont TOUS sous une tension EXTRÊME, DOIVENT être effectuées par un technicien en systèmes de portes qualifié.
13. Débranchez TOUJOURS l'alimentation électrique de l'ouvre-porte de garage AVANT d'effectuer TOUTE réparation ou d'enlever les recouvrements.
14. Ce système de commande est équipé d'une fonction de marche sans surveillance. La porte pourrait bouger de façon inattendue. NE TRAVERSEZ JAMAIS LA PORTE LORSQU'ELLE EST EN MOUVEMENT.
15. N'INSTALLEZ PAS cet appareil sur une porte d'une seule pièce si vous utilisez des dispositifs ou des fonctionnalités permettant une fermeture sans surveillance. Les dispositifs et fonctionnalités sans surveillance doivent être utilisés UNIQUEMENT avec des portes sectionnelles.

16. CONSERVER CES INSTRUCTIONS.

Utilisation de votre ouvre-porte de garage

L'ouvre-porte de garage peut être activé par une commande de porte murale, une télécommande, un système d'accès sans clé sans-fil ou l'application myQ®.

Lorsque la porte est fermée et que l'ouvre-porte de garage est activé, la porte s'ouvre. Si la porte entre en contact avec un obstacle pendant l'ouverture, la porte s'arrête, l'ouvre-porte émet des bips et les lumières clignent 5 fois. Lorsque la porte est dans une position autre que fermée et que l'ouvre-porte de garage est activé, la porte se ferme. Si la porte de garage entre en contact avec un obstacle pendant la fermeture, la porte s'inverse, l'ouvre-porte émet des bips et les lumières clignent 5 fois.

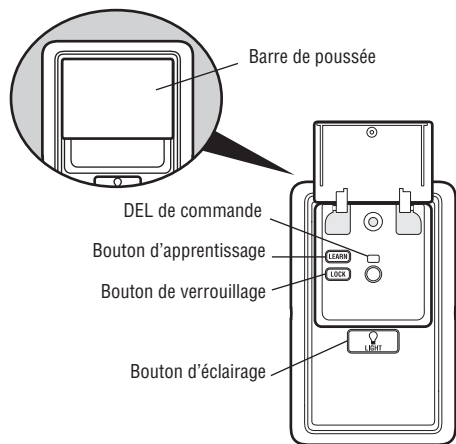
Cependant, vous pouvez fermer la porte si vous maintenez le bouton de la commande de la porte ou du système d'accès sans clé jusqu'à ce que la porte soit complètement fermée.

Les capteurs d'inversion de sécurité n'affectent pas le cycle d'ouverture. Le capteur d'inversion de sécurité doit être connecté et aligné correctement avant que l'ouvre-porte de garage fasse descendre la porte.

Les lumières de l'ouvre-porte de garage s'allument lorsque l'ouvre-porte est initialement branché, que l'ouvre-porte est activé ou que le courant est rétabli après une interruption. Les lumières de l'ouvre-porte de garage s'éteignent automatiquement après une durée déterminée. Pour régler les paramètres d'éclairage, voir *Utilisation de votre commande de porte*.

Fonctionnement

Utilisation de la commande de votre porte PANNEAU DE COMMANDE MULTIFONCTION



SYNCHRONIZER LA COMMANDE DE PORTE : Pour synchroniser la commande de la porte à l'ouvre-porte du garage, appuyez sur la barre de poussée jusqu'à ce que l'ouvre-porte du garage se mette en fonction (cela peut prendre jusqu'à trois poussées). Essayez la commande de la porte en appuyant sur la barre de poussée, chaque poussée sur la barre de poussée activera l'ouvre-porte du garage.

BARRE DE POUSSÉE : Appuyez sur la barre de poussée pour ouvrir ou fermer la porte.

BOUTON LEARN (apprentissage) : Utilisez-le pour programmer des télécommandes compatibles, des entrées sans clé sans fil et des dispositifs myQ® à l'ouvre-porte de garage.

BOUTON LOCK (verrouillage) : Empêche les télécommandes de fonctionner, tout en permettant l'activation à partir de la commande de l'ouvre-porte ou système d'accès sans clé. (Le réglage d'usine est désactivé.)

Activer :

Appuyez et maintenez le bouton LOCK pendant deux secondes. Le voyant DEL clignote tant que la fonction de verrouillage est activée.

Désactiver :

Appuyez et maintenez le bouton LOCK pendant deux secondes. Le voyant DEL cesse de clignoter et le fonctionnement normal reprend.

BOUTON LIGHT : Allume ou éteint les lumières de l'ouvre-porte de garage. Les lumières restent allumées pendant 4 minutes et 30 secondes (réglage usine). Le bouton LIGHT ne permet pas de contrôler les lumières lorsque la porte est en mouvement.

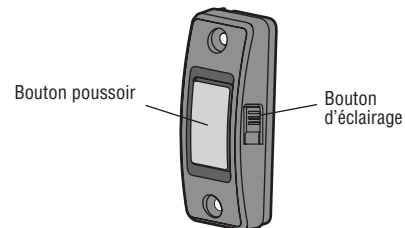
Pour modifier la durée pendant laquelle les lumières restent allumées :

Appuyez sur le bouton LOCK et maintenez-le enfoncé (environ 10 secondes) jusqu'à ce que les lumières de l'ouvre-porte de garage clignotent. L'intervalle de temps est indiqué par le nombre de clignotements de l'ouvre-porte de garage :

- 1 clignotement représente 1-1/2 minute
- 2 clignotements représentent 2-1/2 minutes
- 3 clignotements représentent 3-1/2 minutes
- 4 clignotements représentent 4-1/2 minutes

Pour passer le cycle des intervalles, répétez les étapes ci-dessus. Si la barre de poussée clignote continuellement, le verrouillage doit être désactivé.

BOUTON POUSSOIR DE LA COMMANDE DE PORTE



SYNCHRONIZER LA COMMANDE DE PORTE : Pour synchroniser la commande de la porte à l'ouvre-porte de garage, appuyez sur le bouton poussoir jusqu'à ce que l'ouvre-porte du garage se mette en fonction (cela peut prendre jusqu'à trois poussées).

BOUTON-POUSSOIR : Enfoncez le bouton LIGHT pour allumer ou éteindre les lumières de l'ouvre-porte de garage. Lorsque les lumières sont allumées, elles le demeureront jusqu'à ce que le bouton LIGHT soit enfoncé à nouveau, ou jusqu'à ce que l'ouvre-porte de garage soit activé. Une fois l'ouvre-porte de garage activé, les lumières s'éteignent après le délai précisé (le paramètre réglé en usine est de 4 minutes et demie). Le bouton LIGHT ne permet pas de contrôler les lumières lorsque la porte est en mouvement.

Fonctionnement

Télécommande et entrée sans clé

LA TÉLÉCOMMANDE PRÉPROGRAMMÉE COMPRISE, VOUS N'AVEZ PAS BESOIN DE PROGRAMMER LA TÉLÉCOMMANDE.

Pour ajouter ou reprogrammer une télécommande, suivez les instructions ci-dessous. Les télécommandes plus anciennes de Chamberlain NE sont PAS compatibles.

PROGRAMMATION AVEC LE PANNEAU DE COMMANDE MULTIFONCTIONNEL

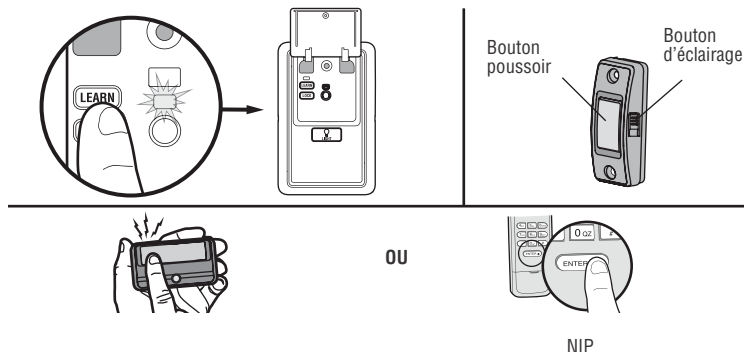
1. Appuyez sur le bouton LEARN (apprentissage) sur la commande de la porte pour accéder au mode de programmation. Le voyant à DEL de la commande clignotera une fois.
2. Appuyez à nouveau sur le bouton LEARN (apprentissage), le voyant à DEL de la commande clignotera à nouveau.
3. **Télécommande** : Appuyez sur le bouton de la commande que vous voulez utiliser pour faire fonctionner votre porte de garage.

Entrée sans clé : Entrez un numéro d'identification personnel (NIP) à 4 chiffres de votre choix sur le clavier du dispositif d'entrée sans clé. Ensuite, appuyez et maintenez le bouton ENTER (entrée).

PROGRAMMATION AU MOYEN DU BOUTON-POUSOIR DE LA COMMANDE DE PORTE

1. Enfoncez le bouton LIGHT et le bouton-poussoir jusqu'à ce que la DEL du bouton-poussoir commence à clignoter.
2. **Télécommande** : Appuyez sur le bouton de la télécommande que vous voulez utiliser pour faire fonctionner votre porte de garage.

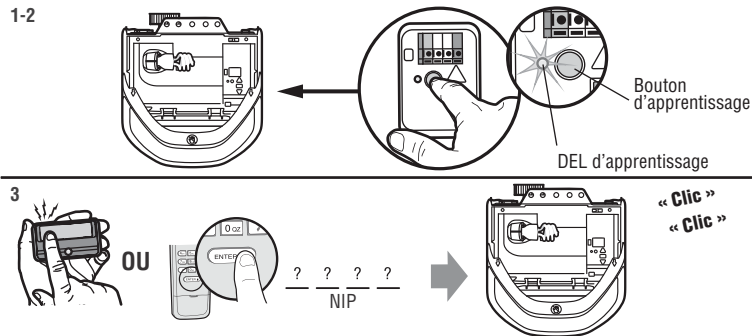
Entrée sans clé : Entrez un numéro d'identification personnel (NIP) à 4 chiffres de votre choix sur le clavier du dispositif d'entrée sans clé. Ensuite, appuyez et maintenez le bouton ENTER.



PROGRAMMATION À L'AIDE DU BOUTON DE L'OUVRE-PORTE DE GARAGE LEARN (APPRENTISSAGE)

1. Trouvez le bouton LEARN (apprentissage).
2. Appuyez et relâchez immédiatement le bouton LEARN (apprentissage). Le VOYANT À DEL LEARN restera allumé pendant 30 secondes. Pendant les 30 secondes...
3. **Commande à distance** : Appuyez et maintenez la touche de la télécommande que vous souhaitez utiliser. **Entrée sans clé** : Saisissez un numéro d'identification personnel (NIP) à 4 chiffres de votre choix sur le clavier. Ensuite, appuyez et maintenez le bouton ENTER.

Relâchez le bouton lorsque les lumières de l'ouvre-porte de garage clignotent ou vous entendez deux clics.



HomeLink®

Si votre véhicule est équipé de HomeLink®, vous aurez peut-être besoin d'un Compatibility Bridge™ (non compris). Visitez bridge.chamberlain.com pour savoir si vous avez besoin d'un Bridge (pont).

Les lumières de l'ouvre-porte de garage clignoteront (ou vous entendrez deux clics) lorsque le code est programmé. Refaites les étapes pour programmer des télécommandes ou des dispositifs d'entrée sans clé supplémentaires. Si la programmation ne fonctionne pas, suivez les étapes de la programmation en utilisant le bouton LEARN (apprentissage) de l'ouvre-porte de garage.

Fonctionnement

Effacer la mémoire

EFFACER TOUTES LES TÉLÉCOMMANDES ET LES ENTRÉES SANS CLÉS

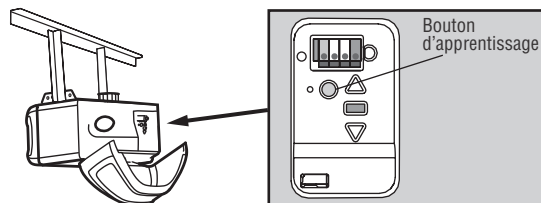
1. Appuyez et maintenez le bouton LEARN (apprentissage) sur l'ouvre-porte jusqu'à ce que le voyant à DEL LEARN s'éteigne (environ 6 secondes). Tous les codes de télécommandes et des entrées sans clé sont maintenant effacés. Reprogrammez tout accessoire que vous voulez utiliser.

EFFACER TOUS LES APPAREILS Y COMPRIS les accessoires compatibles myQ®

1. Appuyez et maintenez le bouton LEARN (apprentissage) sur l'ouvre-porte jusqu'à ce que le voyant à DEL LEARN s'éteigne (environ 6 secondes).
2. Appuyez immédiatement sur le bouton LEARN (apprentissage) et maintenez-le enfoncé jusqu'à ce que le voyant à DEL LEARN s'éteigne. Tous les codes sont maintenant supprimés. Reprogrammez tout accessoire que vous voulez utiliser.

SUPPRIMER LA CONNEXION DE L'OUVRE-PORTE DE GARAGE DU RÉSEAU WI-FI® DOMESTIQUE

1. Appuyez et maintenez le bouton noir de réglage sur l'ouvre-porte de garage jusqu'à ce que vous entendiez trois bips (environ six secondes).



Ouvrir la porte manuellement

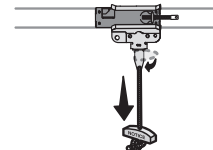
AVERTISSEMENT

Pour éviter d'éventuelles BLESSURES GRAVES voire MORTELLES causées par une porte de garage qui tombe :

- Utilisez si possible la poignée de déclenchement d'urgence pour dégager le chariot UNIQUEMENT lorsque la porte de garage est FERMÉE. Des ressorts faibles ou cassés, ou une porte déséquilibrée peuvent entraîner une chute rapide et/ou inattendue d'une porte ouverte.
- N'utilisez JAMAIS la poignée de déclenchement d'urgence avant que toutes les personnes et les obstacles aient été retirés du trajet qu'elle suivra.
- N'utilisez JAMAIS la poignée pour ouvrir ou fermer la porte. Si le nœud de la corde se défait, vous risquez de tomber.

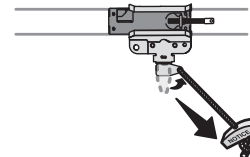
DÉCONNECTER LE CHARIOT

1. Si possible, la porte devrait être fermée complètement.
2. Tirez sur la poignée de déclenchement d'urgence afin que le bras de déclenchement du chariot s'enclenche en position verticale. La porte peut maintenant être montée et descendue aussi souvent que nécessaire.



POUR RECONNECTER LE CHARIOT

1. Tirez la poignée de déclenchement vers l'ouvre-porte de garage afin que le chariot s'enclenche en position horizontale. Le chariot se connectera à nouveau à la prochaine opération vers le HAUT ou le BAS, soit de façon manuelle soit en utilisant la commande de la porte ou la télécommande.



Entretien

Planification de l'entretien

TOUS LES MOIS

- Activez manuellement la porte. Si elle est déséquilibrée ou pliée, appelez un technicien qualifié en systèmes de porte.
- Vérifiez que la porte ouvre et ferme au complet. Ajustez si nécessaire, voir page 33.
- Testez le système d'inversion de sécurité. Ajustez si nécessaire, voir page 35.

TOUS LES ANS

- Huilez les rouleaux, roulements et charnières de la porte. L'ouvre-porte de garage ne nécessite pas d'avantage de lubrification. N'appliquez pas de la graisse sur les rails de la porte.
- Testez la batterie de secours et songez à la remplacer pour vous assurer que l'ouvre-porte de garage fonctionnera en cas de panne d'électricité; voir la page 36 pour tester la batterie de secours. Batterie de la télécommande

AVERTISSEMENT

Pour éviter d'éventuelles BLESSURES GRAVES voire MORTELLES :

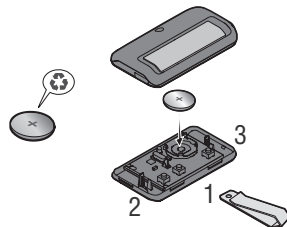
- Ne laissez JAMAIS les jeunes enfants s'approcher des piles.
- En cas d'ingestion de piles, consultez immédiatement un médecin.

Pour réduire les risques d'incendie, d'explosion ou de brûlures chimiques respectez ce qui suit :

- Remplacez les piles seulement avec des piles bouton CR2032 de 3 V.
- Veillez à ne PAS recharger, démonter, chauffer à plus de 100 °C (212 °F) ou incinérer les piles.

La batterie au lithium CR2032 de 3 V devrait fonctionner jusqu'à 3 ans. Si la batterie est faible, le voyant à DEL de la télécommande ne clignotera pas lorsque vous appuyez sur le bouton.

Pour remplacer la batterie, ouvrez en écartant le boîtier au milieu (1), ensuite de chaque côté (2 et 3) avec le clip de pare-soleil. Remplacez les batteries seulement avec des batteries CR2032 de 3 V. Insérez le côté positif de la batterie vers le haut. Disposez des vieilles batteries de façon appropriée.



AVIS : Cet appareil est conforme à la partie 15 du règlement de la FCC ainsi qu'avec le CNR exempt de licence d'Innovation, Science et Développement économique Canada. Son utilisation est sujette aux deux conditions suivantes : (1) cet appareil ne doit pas causer d'interférences nuisibles, et (2) cet appareil doit accepter toutes les interférences reçues, y compris les interférences qui peuvent causer le fonctionnement indésirable de l'appareil.

Les modifications ou les changements non expressément approuvés par la partie responsable de la conformité peuvent annuler l'autorité de l'utilisateur à utiliser l'équipement.

Cet appareil doit être installé pour qu'une distance minimum de 20 cm (8 po) soit maintenue entre les utilisateurs, les passants et l'appareil.

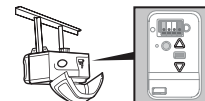
Cet appareil a été testé et s'est avéré conforme aux limites d'un appareil numérique de classe B selon la partie 15 des règlements de la FCC et des normes ICES d'Industrie Canada. Ces limites ont pour objet de fournir une protection raisonnable contre les interférences nuisibles dans une installation résidentielle. Cet équipement produit, utilise et peut rayonner de l'énergie radiofréquence et, s'il n'est pas installé et utilisé conformément aux instructions, il risque de causer des interférences nuisibles aux communications radio. Toutefois, il n'est pas possible de garantir l'absence d'interférences dans une installation particulière. Si cet équipement cause des interférences nuisibles à la réception radio ou TV, ce qui peut être déterminé en l'éteignant puis en le rallumant, l'utilisateur est invité à essayer de corriger l'interférence en prenant au moins l'une des mesures suivantes :

- Réorienter ou déplacer l'antenne réceptrice.
- Éloigner l'appareil de l'équipement ou du récepteur.
- Brancher l'équipement sur une prise correspondant à un autre circuit que celui sur lequel le récepteur est branché.
- Consulter le revendeur ou un technicien radio/TV pour obtenir de l'aide.

Dépannage

Tableau des diagnostics

Votre ouvre-porte de garage est programmé pour s'autodiagnostiquer. Les flèches vers le HAUT et le BAS de l'ouvre-porte de garage clignotent pour indiquer les codes de diagnostic.



CODE DE DIAGNOSTIQUE		SYMPTÔME	SOLUTION
△ Clignotements	▽ Clignotements		
1	1	L'ouvre-porte de garage ne ferme pas la porte.	Les capteurs d'inversion de sécurité ne sont pas installés, connectés ou les fils sont peut-être coupés. Inspectez les fils des capteurs pour vous assurer qu'ils sont connectés et ne sont pas coupés.
1	2	L'ouvre-porte de garage ne ferme pas la porte.	Il y a un court circuit ou une inversion du fil des capteurs d'inversion de sécurité. Inspectez le fil du capteur de sécurité à toutes les agrafes et les points de connexion, remplacez le fil ou corrigez la situation, au besoin.
1	3	La commande de la porte ne fonctionne pas.	Les fils de la commande de la porte sont court-circuités ou la commande de la porte fait défaut. Inspectez le fil du capteur de sécurité à toutes les agrafes et les points de connexion, remplacez le fil ou corrigez la situation, au besoin.
1	4	L'ouvre-porte de garage ne ferme pas la porte.	Les capteurs d'inversion de sécurité ne sont pas alignés correctement ou étaient momentanément obstrués. Alignez les deux capteurs correctement jusqu'à ce que les deux voyants à DEL soient allumés en continu. Assurez-vous que rien n'est suspendu ou installé sur la porte de façon à interrompre le chemin du capteur lorsque la porte ferme.
1	5	La porte bouge de 15-20 cm (6-8 po), s'arrête et remonte.	Ouvrez et fermez la porte manuellement. Vérifiez si elle est pliée ou s'il y a des obstructions comme un ressort brisé ou le dispositif de verrouillage et corrigez la situation, au besoin. Vérifiez les connexions des fils au module de déplacement et à la carte mère. Remplacez le module de déplacement, au besoin.
		Il n'y a aucun mouvement, seulement un clic.	Ouvrez et fermez la porte manuellement. Vérifiez si elle est pliée ou s'il y a des obstructions comme un ressort brisé ou le dispositif de verrouillage et corrigez la situation, au besoin. Remplacez la carte mère si nécessaire.
		L'ouvre-porte émet un son de bourdonnement pendant 1 à 2 secondes sans mouvement.	Ouvrez et fermez la porte manuellement. Vérifiez si elle est pliée ou s'il y a des obstructions comme un ressort brisé ou le dispositif de verrouillage et corrigez la situation, au besoin. Remplacez le moteur, au besoin.
1	6	La porte continue à glisser après s'être arrêtée complètement.	Programmez la course jusqu'à la position de glissement ou faites équilibrer la porte par un technicien qualifié en systèmes de portes.
2	1-5	Aucun mouvement ou son.	Remplacez la carte mère.
3	2	Incapacité à régler le déplacement ou à garder la position.	Vérifiez le module de déplacement pour avoir le bon assemblage, remplacez-le, au besoin.
3	3	La DEL de statut de la batterie clignote constamment en vert.	Erreur du circuit de la batterie de secours, remplacez la carte mère.
4	1-4	La porte bouge, s'arrête et change de direction. L'ouvre-porte émet des bips et les voyants clignotent.	Ouvrez et fermez manuellement la porte. Vérifiez si elle est pliée ou s'il y a des obstructions comme un ressort brisé ou le dispositif de verrouillage et corrigez la situation, au besoin. Si la porte plie, ou colle, communiquez avec un technicien qualifié en systèmes de portes. Si la porte ne plie pas ni ne colle, essayez de reprogrammer le déplacement, voir Programmer le déplacement, page 31.
4	5	L'ouvre-porte fonctionne environ pour un déplacement de 15-20 cm (6-8 po), s'arrête et change la direction du déplacement.	Erreur de communication avec le module de déplacement. Vérifiez les connexions du module de déplacement, remplacez le module de déplacement, au besoin.
4	6	L'ouvre-porte de garage ne ferme pas la porte.	Les capteurs d'inversion de sécurité ne sont pas alignés correctement ou étaient momentanément obstrués. Alignez correctement les deux capteurs pour vous assurer que les deux voyants à DEL sont allumés en continu et ne clignotent pas. Assurez-vous que rien n'est suspendu ou installé sur la porte de façon à interrompre le chemin du capteur lorsque la porte ferme.

Dépannage

Dépannage supplémentaire

Mon ouvre-porte de garage émet un bip et les lumières clignotent avant que la porte ferme :

- L'ouvre-porte de garage a été activé par l'entremise d'un dispositif ou d'une fonction, comme une minuterie de fermeture ou un moniteur de porte de garage.

Mon ouvre-porte de garage s'arrête, la poste change de direction, il émet des bips et les voyants clignotent.

- Vérifiez si la porte est pliée, ou obstruée tout au long du rail jusqu'au sol du garage.

Ma télécommande n'active pas la porte de garage :

- Vérifiez que la fonction de verrouillage n'est pas activée sur la commande de la porte.
- Reprogrammez la commande de la porte.
- Si la télécommande n'active toujours pas la porte, vérifiez les codes de diagnostiques pour vous assurer que l'ouvre-porte de garage fonctionne correctement.

Ma porte ne se ferme pas :

Le capteur d'inversion de sécurité doit être connecté et aligné correctement avant que l'ouvre-porte de garage fasse descendre la porte.

- Vérifiez si la porte est pliée, ou obstruée tout au long du rail jusqu'au sol du garage.
- Le capteur d'inversion de sécurité doit être connecté et aligné correctement avant que l'ouvre-porte de garage ne se déplace dans le sens de la descente.
 - Vérifiez que les capteurs d'inversion de sécurité sont installés et alignés correctement et qu'ils ne sont pas obstrués.
 - Si le capteur de réception (voyant à DEL vert) fait directement face à la lumière du soleil, changez le capteur de réception avec le capteur d'envoi pour que le capteur de réception ne soit pas directement sous la lumière du soleil.

Dépannage du Wi-Fi®

L'ouvre-porte de garage n'accède pas au mode d'apprentissage Wi-Fi® :

- Après l'installation initiale de l'ouvre-porte de garage, ce dernier doit effectuer un cycle complet (ouverture et fermeture) avant que le mode d'apprentissage Wi-Fi® puisse être activé.
- S'il y a récemment eu une panne d'électricité, l'ouvre-porte de garage doit effectuer un cycle complet avant que le mode d'apprentissage Wi-Fi® puisse être activé.

Voir la page 37 pour activer le mode d'apprentissage Wi-Fi.

Si votre bouton de réglage noir n'est pas d'un vert continu, visitez le support.chamberlaingroup.com.

Le Homelink® de mon véhicule ne se programme pas avec mon ouvre-porte de garage :

Pour certains véhicules, il pourrait être nécessaire d'installer un pont de compatibilité (non compris). Visitez bridge.chamberlain.com pour savoir si vous avez besoin d'un Bridge (pont).

La télécommande de mon voisin ouvre ma porte de garage :

Effacez la mémoire de votre ouvre-porte de garage et reprogrammez la ou les télécommandes.

Les voyants à DEL du capteur de sécurité ne s'allument pas :

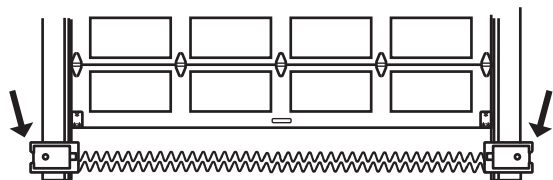
Si les voyants à DEL du capteur ne s'allument pas en continu lorsque l'ouvre-porte est activé, voir DÉPANNAGE DU CAPTEUR DE SÉCURITÉ, page 32.

Garantie

Coordonnées de contact

ARRÊTEZ!

L'ouvre-porte de garage ne fonctionne PAS tant que les capteurs d'inversion de sécurité ne sont pas installés et alignés correctement.



Visitez nous en ligne à :

support.chamberlaingroup.com

GARANTIE LIMITÉE CHAMBERLAIN®

The Chamberlain Group LLC (le « Vendeur ») garantit au premier acheteur au détail que ce produit installé pour la première fois dans sa résidence sera libre de défauts de matériel, de main-d'œuvre pendant la période précise définie ci-dessous (« Période de la garantie »). La période de garantie commence à partir de la date de l'achat.

WARRANTY PERIOD			
Motor	Parts	Motor	Accessories
C2405C	1 year	10 years	1 year
D2405C	1 year	6 years	1 year
C2202C	1 year	6 years	1 year
D2101C	1 year	6 years	1 year
C2102C	1 year	6 years	1 year

Le bon fonctionnement de ce produit dépend du respect des instructions en ce qui a trait à l'installation, le fonctionnement, l'entretien et les tests. Le fait de ne pas se conformer strictement à ces instructions annulera la présente garantie limitée dans son intégralité. Si, pendant la période de la garantie limitée, ce produit semble présenter un défaut qui est couvert par cette garantie limitée, visitez chamberlain.com, avant de démonter ce produit. Vous serez avisé des instructions de désassemblage et d'expédition. Vous pourrez ensuite envoyer le produit ou ses pièces en port payé et assuré selon les instructions de notre centre de services pour la réparation sous garantie. Veuillez inclure une brève description du problème et la preuve d'achat comportant une date avec tout produit retourné pour réparation sous garantie. Les produits retournés au Vendeur pour réparation en vertu de la garantie et dont la défectuosité et la couverture de la garantie sont confirmés dès la réception par le Vendeur seront réparés ou remplacés (à l'entière discrétion du Vendeur) sans frais pour vous et retournés en envoi pré-payé. Les pièces défectueuses seront réparées ou remplacées avec des pièces neuves ou remises à neuf à la seule discrétion du vendeur. [Vous êtes responsable de tout coût de désinstallation ou d'installation du produit ou de toute pièce.]

TOUTE GARANTIE TACITE POUR CE PRODUIT, Y COMPRIS SANS S'Y LIMITER, TOUTE GARANTIE TACITE DE QUALITÉ COMMERCIALE ET D'ADAPTATION À UNE QUELCONQUE UTILISATION, EST LIMITÉE À LA DURÉE DE LA GARANTIE LIMITÉE CI-DESSUS POUR LES PIÈCES CONNEXES ET LES GARANTIES NON TACITES EXISTERONT OU SERONT APPLIQUÉES APRÈS CETTE PÉRIODE. Certains États et Provinces ne permettent pas de limiter la durée d'une garantie implicite, de sorte que la limitation ci-dessus peut ne pas s'appliquer à vous. LA PRÉSENTE GARANTIE LIMITÉE NE COUVRE PAS LES DOMMAGES NON-DÉFECTUEUX, LES DOMMAGES CAUSÉS PAR UNE INSTALLATION, UNE UTILISATION OU UN ENTRETIEN INAPPROPRIÉS (DONT, SANS TOUJOURS S'Y LIMITER, UN ABUS, UNE UTILISATION INCORRECTE, UN MANQUE D'ENTRETIEN RAISONNABLE ET NÉCESSAIRE, DES RÉPARATIONS NON AUTORISÉES OU TOUTE MODIFICATION DE CE PRODUIT), LES FRAIS DE MAIN-D'ŒUVRE POUR LA RÉINSTALLATION D'UNE UNITÉ RÉPARÉE OU REMPLACÉE, LE REMPLACEMENT D'ARTICLES CONSOMMABLES (PAR EXEMPLE, LES PILES DES TÉLÉCOMMANDES ET LES AMPOULES), OU LES UNITÉS INSTALLÉES POUR UN USAGE NON RÉSIDENTIEL. LA PRÉSENTE GARANTIE LIMITÉE NE COUVRE PAS LES PROBLÈMES LIÉS À LA PORTE DE GARAGE OU À LA QUINCAILLERIE DE LA PORTE DE GARAGE, Y COMPRIS, MAIS SANS S'Y LIMITER, LES RESSORTS DE LA PORTE, LES ROULEAUX DE LA PORTE, L'ALIGNEMENT DE LA PORTE OU LES CHARNIÈRES. LA PRÉSENTE GARANTIE LIMITÉE NE COUVRE PAS NON PLUS LES PROBLÈMES CAUSÉS PAR DES INTERFÉRENCES. EN AUCUN CAS, LE VENDEUR NE POURRA ÊTRE TENU RESPONSABLE DES DOMMAGES CONSÉCUTIFS, ACCIDENTELS OU SPÉCIAUX LIÉS À L'UTILISATION OU À L'IMPOSSIBILITÉ D'UTILISER CE PRODUIT. EN AUCUN CAS, LA RESPONSABILITÉ DU VENDEUR EN CAS DE RUPTURE DE GARANTIE, DE RUPTURE DE CONTRAT, DE NÉGLIGENCE OU DE RESPONSABILITÉ STRICTE NE POURRA DÉPASSER LE COÛT DU PRODUIT COUVERT PAR LES PRÉSENTES. PERSONNE N'EST AUTORISÉ À ASSUMER EN NOTRE NOM QUELQUE AUTRE RESPONSABILITÉ RELATIVE AVEC LA VENTE DE CE PRODUIT.

Certains États et Provinces n'autorisant pas l'exclusion ou la limitation des dommages consécutifs, accessoires ou spéciaux, il est possible que la limitation ou l'exclusion susmentionnée ne s'applique pas à vous. Cette garantie vous donne des droits légaux spécifiques et vous pouvez également avoir d'autres droits, qui varient d'une province à l'autre.

Guide de sécurité et d'entretien de l'ouvre-porte de garage automatique

Sécurité de l'ouvre-porte de garage – Une décision automatique

La porte de garage est le plus grand objet mobile d'une maison. Le réglage inapproprié de la porte de garage et de l'ouvre-porte peut entraîner une force mortelle lorsque la porte ferme, ce qui pourrait faire en sorte qu'un enfant ou un adulte soit coincé et se solder par des blessures ou la mort.

L'installation, l'utilisation, l'entretien et les tests appropriés de la porte de garage et de l'ouvre-porte appropriés sont nécessaires pour avoir un système sécuritaire et sans problème. Une utilisation imprudente ou permettre à des enfants de jouer avec les commandes de l'ouvre-porte ou de l'utiliser sont également des situations dangereuses qui peuvent mener à des conséquences tragiques. Quelques précautions simples peuvent protéger votre famille et vos amis de blessures possibles. Veuillez examiner les conseils de sécurité et d'entretien qui se trouvent dans le présent guide et le garder pour consultation future. Vérifiez le fonctionnement de votre porte de garage et de votre ouvre-porte pour vous assurer qu'ils fonctionnent de façon sécuritaire et sans problème. Assurez-vous de lire toutes les données importantes sur la sécurité qui se trouvent dans votre manuel d'ouvre-porte, car elles contiennent davantage de détails et d'éléments à prendre en considération que ce qui peut être fournis dans le présent guide.

L'ouvre-porte de garage n'est pas un jouet.

Parlez avec vos enfants de la sécurité relative à la porte de garage et à l'ouvre-porte. Expliquez les dangers de se retrouver coincé sous la porte.



Tenez-vous loin d'une porte en mouvement.



Le bouton-poussoir installé sur le mur doit être hors de la portée des enfants, à une distance d'au moins 1,5 mètre de la surface la plus proche sur laquelle on peut se tenir debout et loin de toutes les parties qui peuvent être en mouvement. Installez et utilisez le bouton à un endroit où vous pouvez clairement voir la porte de garage se fermer.



Gardez les émetteurs et les télécommandes hors de la portée des enfants.

Ne laissez pas les enfants jouer avec les émetteurs ou d'autres télécommandes ou les utiliser.



Gardez la porte en vue jusqu'à ce qu'elle se ferme complètement lorsque vous utilisez le bouton-poussoir ou l'émetteur mural.

L'entretien de routine peut éviter des tragédies

Faites des inspections et des tests de votre porte de garage et votre système d'ouvre-porte tous les mois comme faisant partie de votre routine. Relisez le guide de l'utilisateur de la porte ainsi que de l'ouvre-porte. Si vous n'avez pas de guide de l'utilisateur, communiquez avec le fabricant et demandez l'exemplaire pour votre modèle précis. Recherchez le numéro de modèle de votre ouvre-porte au dos de l'unité d'alimentation.

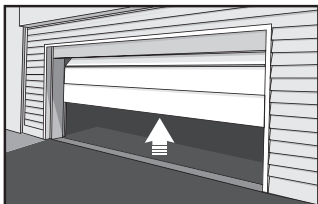


AVERTISSEMENT - LES RESSORTS SONT SOUS TENSION ÉLEVÉE. SEULES LES PERSONNES QUALIFIÉES DEVRAIENT EN FAIRE LE RÉGLAGE.



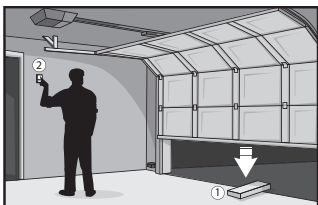
Vérifiez visuellement la porte et l'installation :

- En commençant avec la porte en position fermée, utilisez la déconnexion manuelle sur l'ouvre-porte pour déconnecter la porte.
- Vérifiez s'il y a des signes d'usure ou de dommage sur les charnières, les galets, les ressorts et les panneaux de la porte.
- Ces pièces peuvent nécessiter une lubrification périodique. Consultez le guide du propriétaire pour connaître l'entretien suggéré.
- S'il y a des signes de dommages évidents, communiquez avec un technicien qualifié en systèmes de portes pour obtenir de l'aide.
- Vérifiez la hauteur du capteur photoélectrique pour qu'il ne se trouve pas à une hauteur de plus de 2 m du sol du garage.



Effectuez un test de la porte pour vérifier qu'elle fonctionne correctement :

- Ouvrez et fermez la porte manuellement en utilisant les poignées ou des points de prise adéquats.
- La porte devrait bouger librement sans difficulté.
- **La porte devrait être équilibrée et rester partiellement ouverte de 0,9 à 1,2 m (3 à 4 pi) du sol.**
- Si vous détectez des signes de fonctionnement inadéquats, communiquez avec un technicien qualifié en systèmes de porte pour obtenir de l'aide.



Effectuez un test des fonctions de sécurité de l'ouvre-porte :

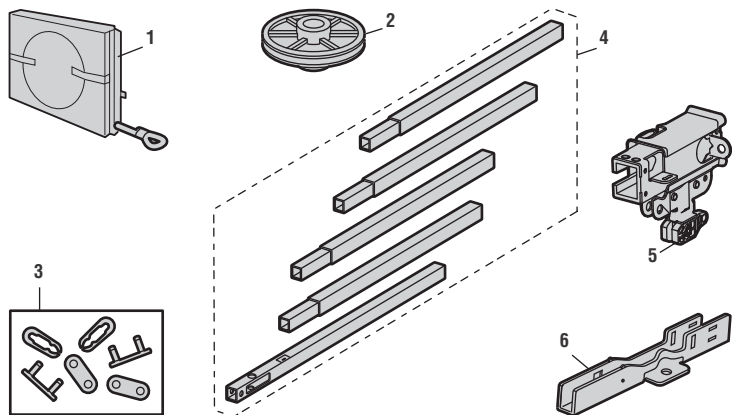
- Reconnectez l'ouvre-porte à la porte en déconnectant manuellement la porte et ouvrez la porte.
- Placez un panneau de 2 x 4 po à plat dans le chemin de la porte (1) et essayez de la fermer (2). La porte devrait s'arrêter lorsqu'elle entre en contact avec le panneau et remonter.
- Obstruez le capteur photoélectrique en agitant un objet devant le capteur essayez de fermer la porte. La porte ne devrait pas fermer à moins que le bouton-poussoir installé sur le mur ne soit manuellement maintenu pendant l'opération.
- Si l'ouvre-porte ne fonctionne pas tel que décrit, communiquez avec un technicien qualifié en systèmes de portes pour obtenir de l'aide.



Pièces détachées

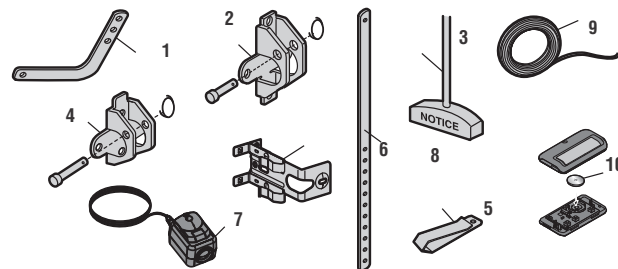
Pièces d'assemblage de rail

Description	Numéro de pièce
1 Chaîne et câble	041A5807
2 Poulie	K144C0056
3 Lien maître	004A1008
4 Rail	041A5665
5 Assemblage du chariot : axe à épaulement (1) et anneau (1)	041C5141-1
6 Support en « U »	041D0598-1
Pas illustré	
Patins d'usure	041A7276
Sachet de quincaillerie	041A7920-1



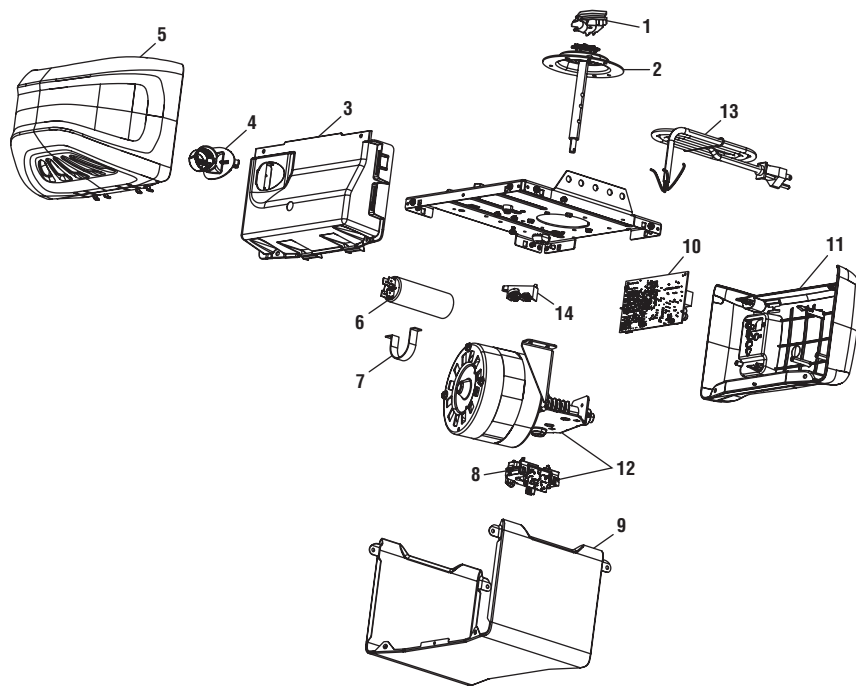
Pièces d'installation

Description	Numéro de pièce
1 Bras de porte incurvé	041B0035B
2 Support de porte, axe à épaulement et attache	041A5047
3 Corde et poignée de déclenchement d'urgence	041A2828
4 Support de linteau avec axe à épaulement et fixation	041A5047-2
5 Clip de pare-soleil pour la télécommande	K029B0137
6 Support pour le capteur de sécurité	041-0155-000
7 Ensemble du capteur de sécurité : Capteurs de réception et d'envoi avec deux fils conducteurs	041-0136-000
8 Bras de porte droit	4178B0034B
9 Fil blanc et rouge/blanc	041B4494-1
10 Batterie au lithium 3 V	K010A0020
Pas illustré	
Manuel d'installation	114-5744-010



Pièces détachées

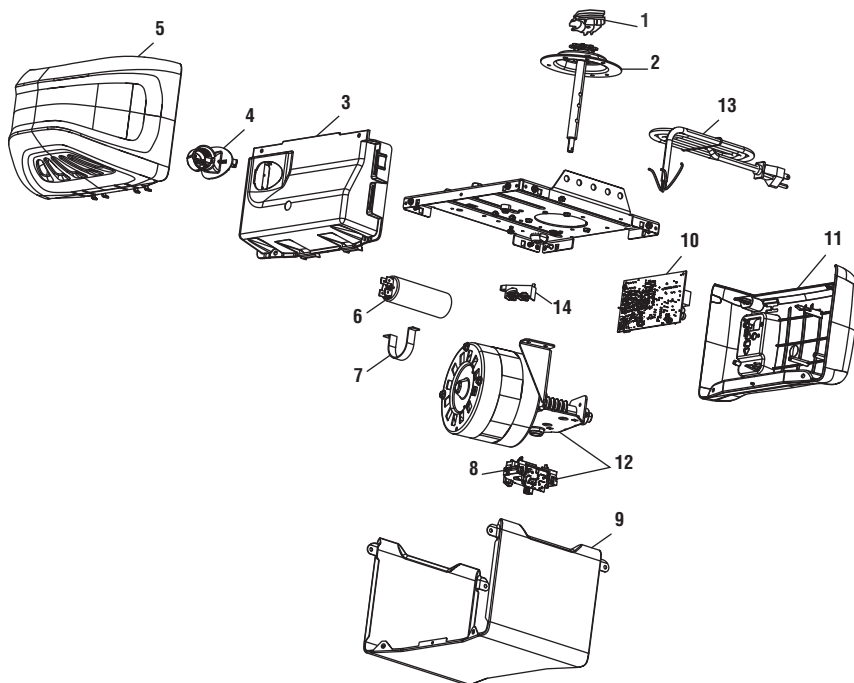
Pièces de l'ouvre-porte de garage - C2102C



Description	Numéro de pièce	
1	Écarteur de chaîne	041A5615
2	Engrenages et pignon	041C4220A
3	Panneau d'extrémité avec douille d'éclairage	041A7760
4	Douille d'éclairage	041C0279
5	Lentille d'éclairage	041-0144
6	Condensateur	030B0532-1
7	Support de condensateur	K012A0373
8	Module de déplacement	041D7742-7
9	Couvercle	041-0228-000
10	Carte logique du récepteur	045ACT
11	Panneau d'extrémité de la carte logique	041DB374
12	Moteur avec module de déplacement	041D7440
13	Cordon de ligne	041B4245-1
14	Bornier	041A3150
	Pas montré	
	Harnais de câbles	041A7945

Pièces détachées

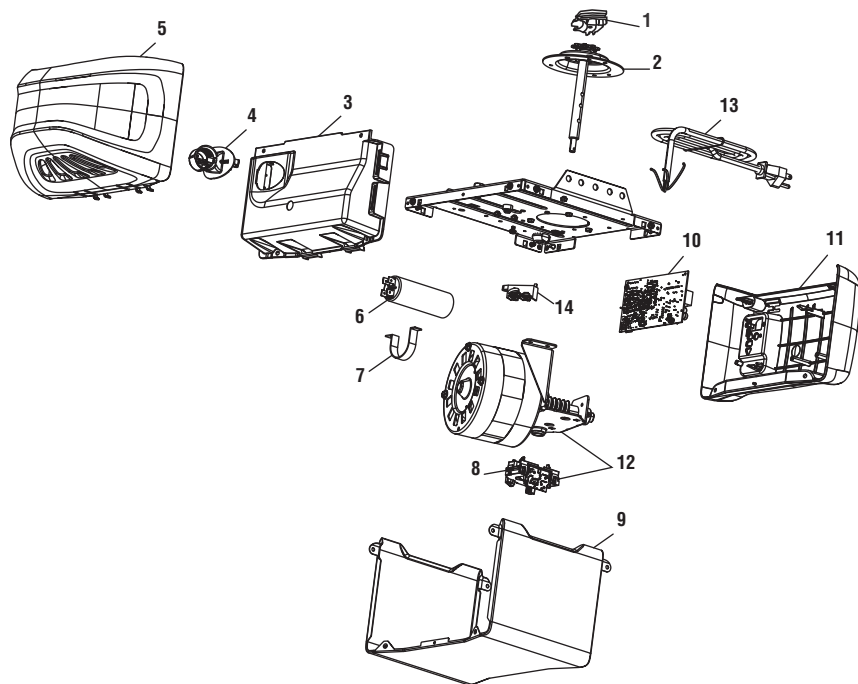
Pièces de l'ouvre-porte de garage - C2405C et D2405C



	Description	Numéro de pièce
1	Écarteur de chaîne	041A5615
2	Engrenage et pignon	041C4220A
3	Panneau d'extrémité avec douille	041-0037-000
4	Douille	041C0279
5	Lentille de la lumière	041-0144
6	Condensateur	030B0532-1
7	Support du condensateur	K012A0373
8	Module de déplacement	041D7742-7
9	Cache-vis	041-0028-000
10	Carte mère	050ACTWF
11	Panneau d'extrémité pour la carte-mère du récepteur	041-0025-000
12	Moteur avec module de déplacement	041D7440
13	Câble de ligne	041B4245-1
14	Bornier	041A3150
	Pas montré	
	Faisceau de câbles	041A7946

Pièces détachées

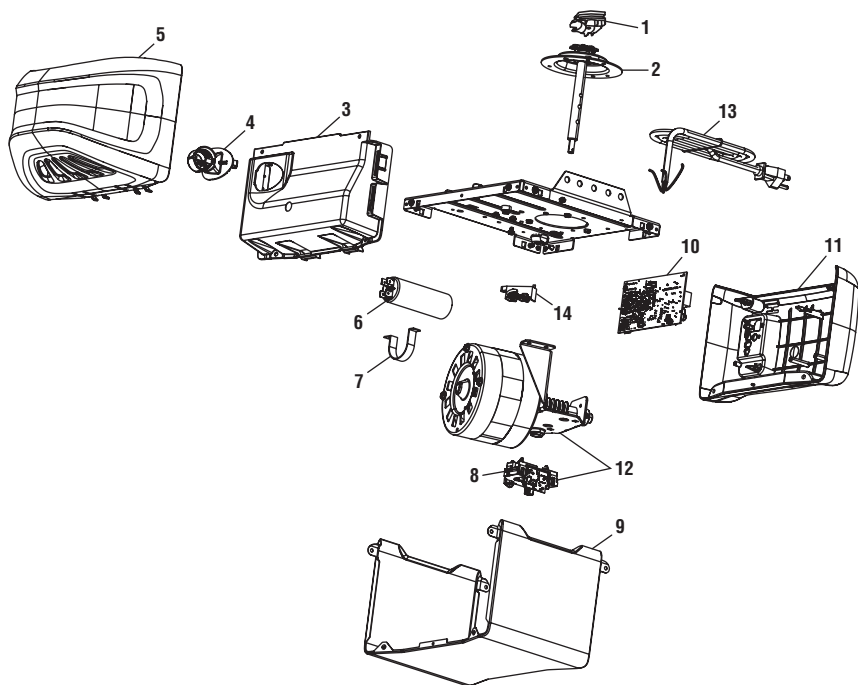
Pièces de l'ouvre-porte de garage - Modèle C2202C



Description	Numéro de pièce
1 Écarteur de chaîne	041A5615
2 Engrenage et pignon	041C4220A
3 Panneau d'extrémité avec douille	041-0037-000
4 Douille	041C0279
5 Lentille de la lumière	041-0144
6 Condensateur	030B0532-1
7 Support du condensateur	K012A0373
8 Module de déplacement	041D7742-7
9 Cache-vis	041-0028-000
10 Carte mère	050ACTWF
11 Panneau d'extrémité pour la carte-mère du récepteur	041-0025-000
12 Moteur avec module de déplacement	041D7440
13 Câble de ligne	041B4245-1
14 Bornier	041A3150
Pas montré	
Faisceau de câbles	041A7946

Pièces détachées

Pièces de l'ouvre-porte de garage - Modèle D2101C



Description	Numéro de pièce
1 Écarteur de chaîne	041A5615
2 Engrenages et pignon	041C4220A
3 Panneau d'extrémité avec douille d'éclairage	041D8129
4 Douille d'éclairage	041C0279
5 Lentille d'éclairage	041-0144
6 Condensateur	030B0532-1
7 Support de condensateur	K012A0373
8 Module de déplacement	041D7742-7
9 Couverture	041-0228-000
10 Carte logique du récepteur	045ACT
11 Panneau d'extrémité de la carte logique du récepteur	041D8374
12 Moteur avec module de déplacement	041D7440
13 Cordon de ligne	041B4245-1
14 Bornier	041A3150
Pas montré	
Harnais de câbles	041A7945

