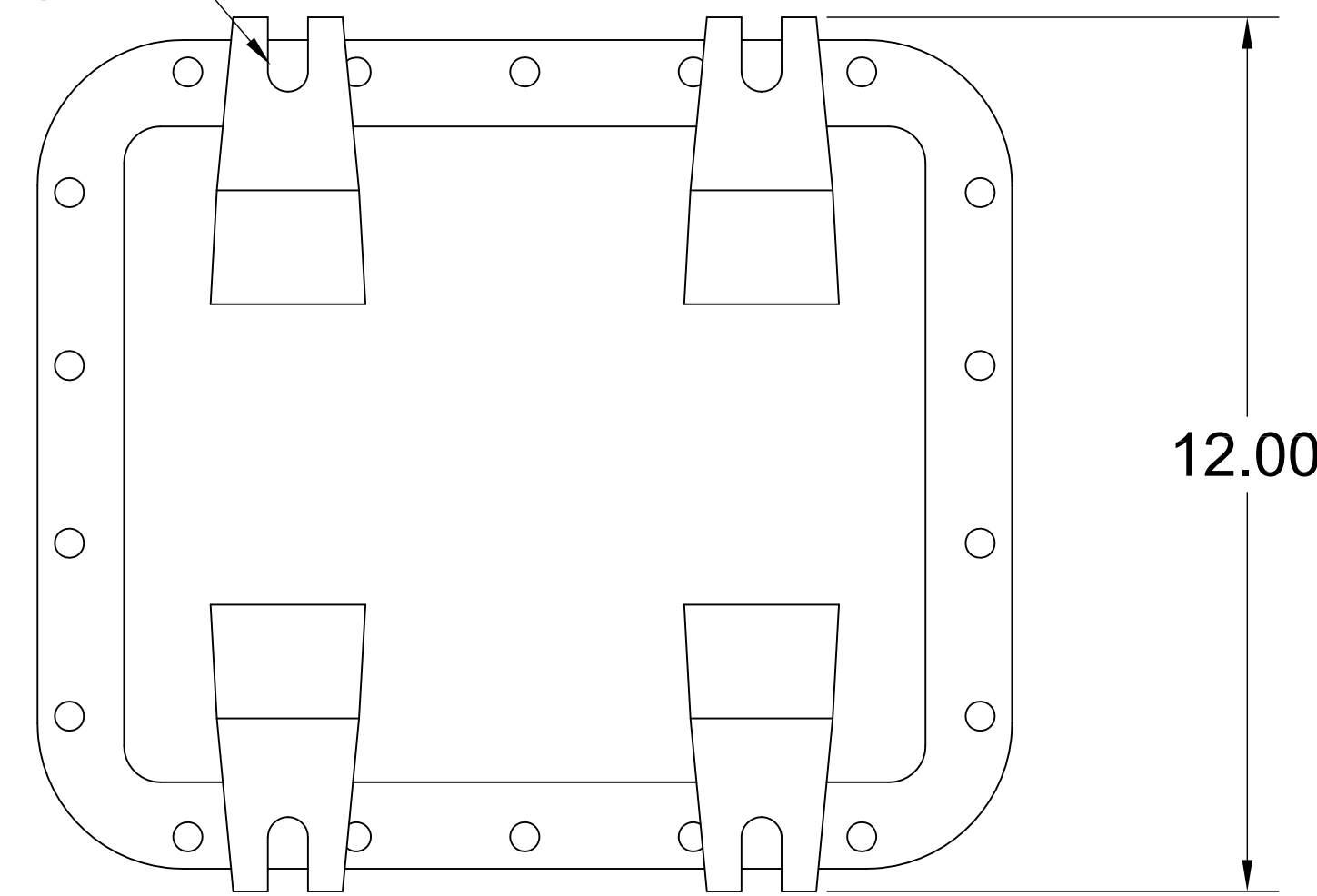
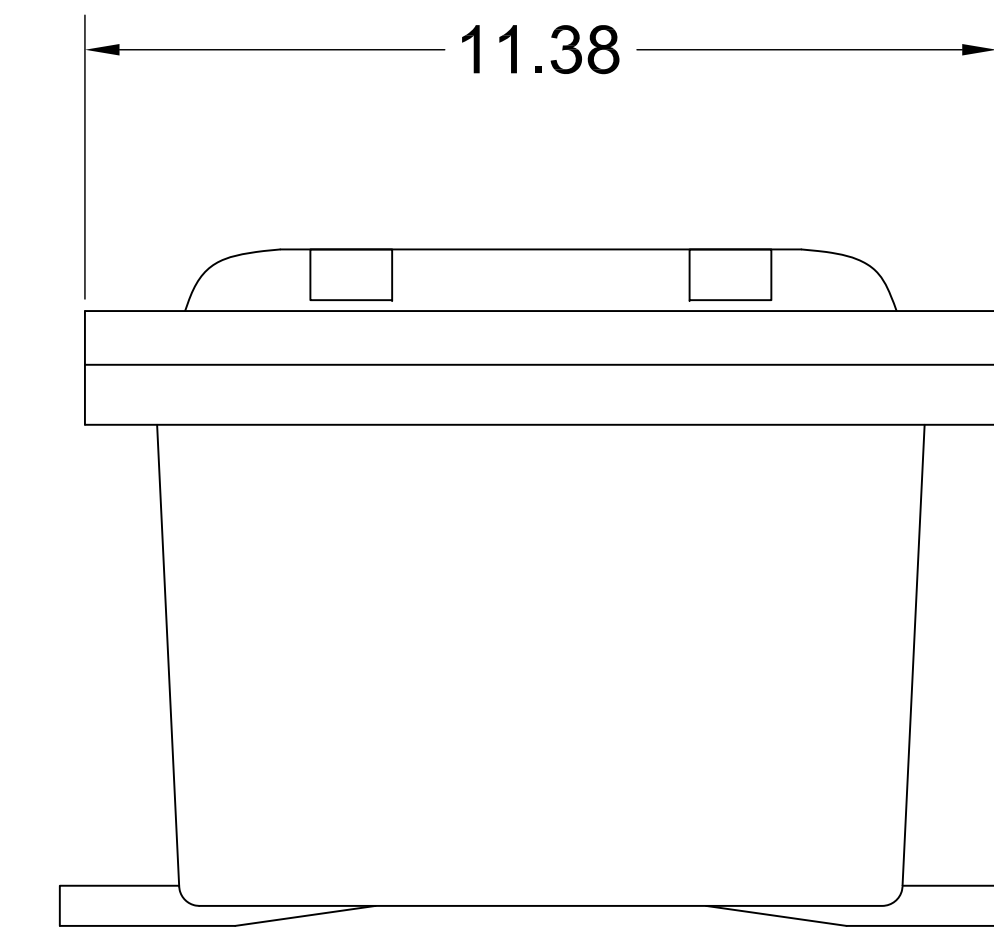


FRONT

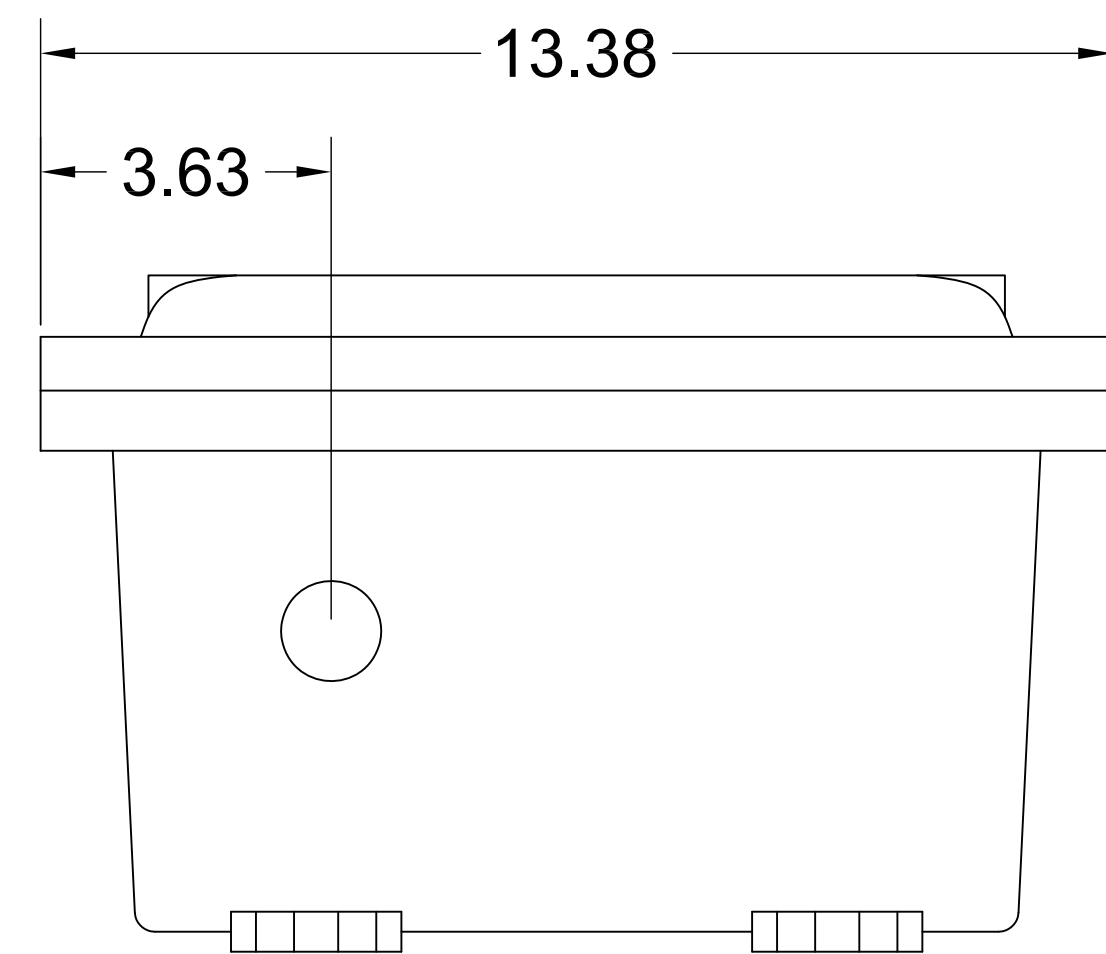
MOUNTING  
SLOTS  
(4 PLCS.)



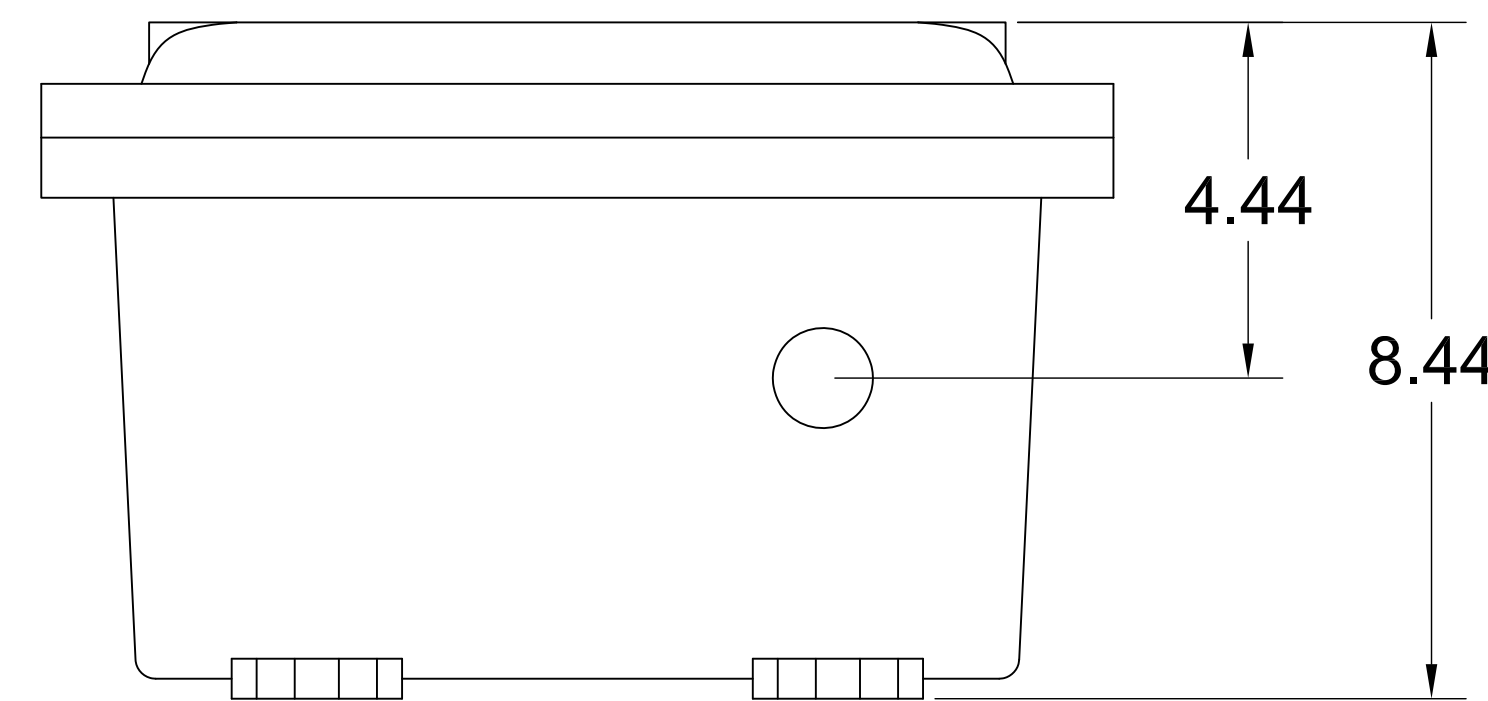
BACK



TOP



RIGHT



LEFT

NEMA 7

**LiftMaster**<sup>®</sup>  
LIFTMASTER (CHAMBERLAIN GROUP, INC.)  
ENGINEERED SERVICES

300 WINDSOR DR.  
OAK BROOK, IL 60523  
PHONE: (630) 418-6516  
FAX: (630) 516-7059

DRW. BY: B. MOFFETT  
DATE: 12/3/2018  
TITLE: LIFTMASTER (NEMA 7)  
CAD FILE: -

REVISION:  
SCALE: NTS

SHEET NO:

**1/1**