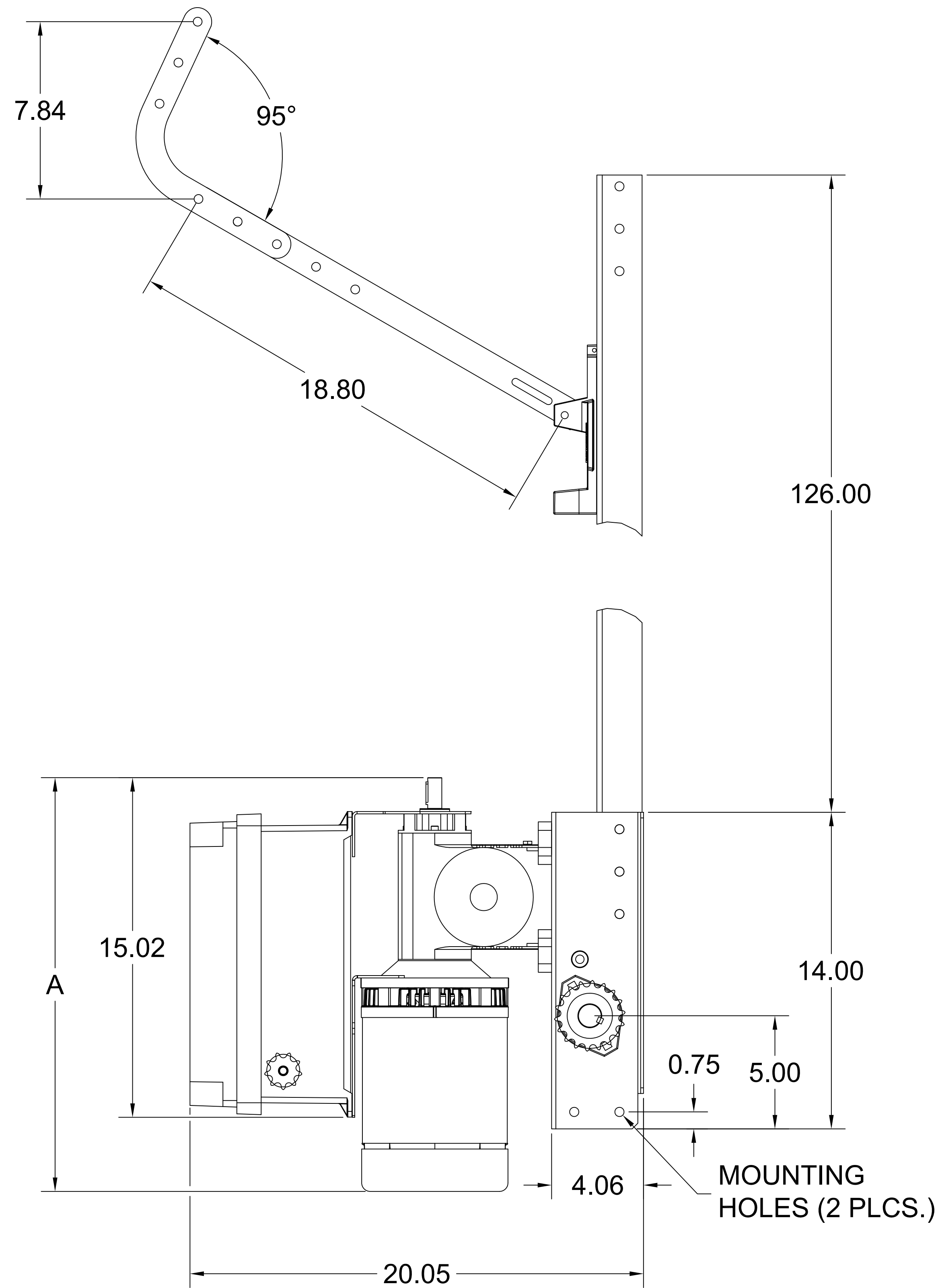


TOP



RIGHT

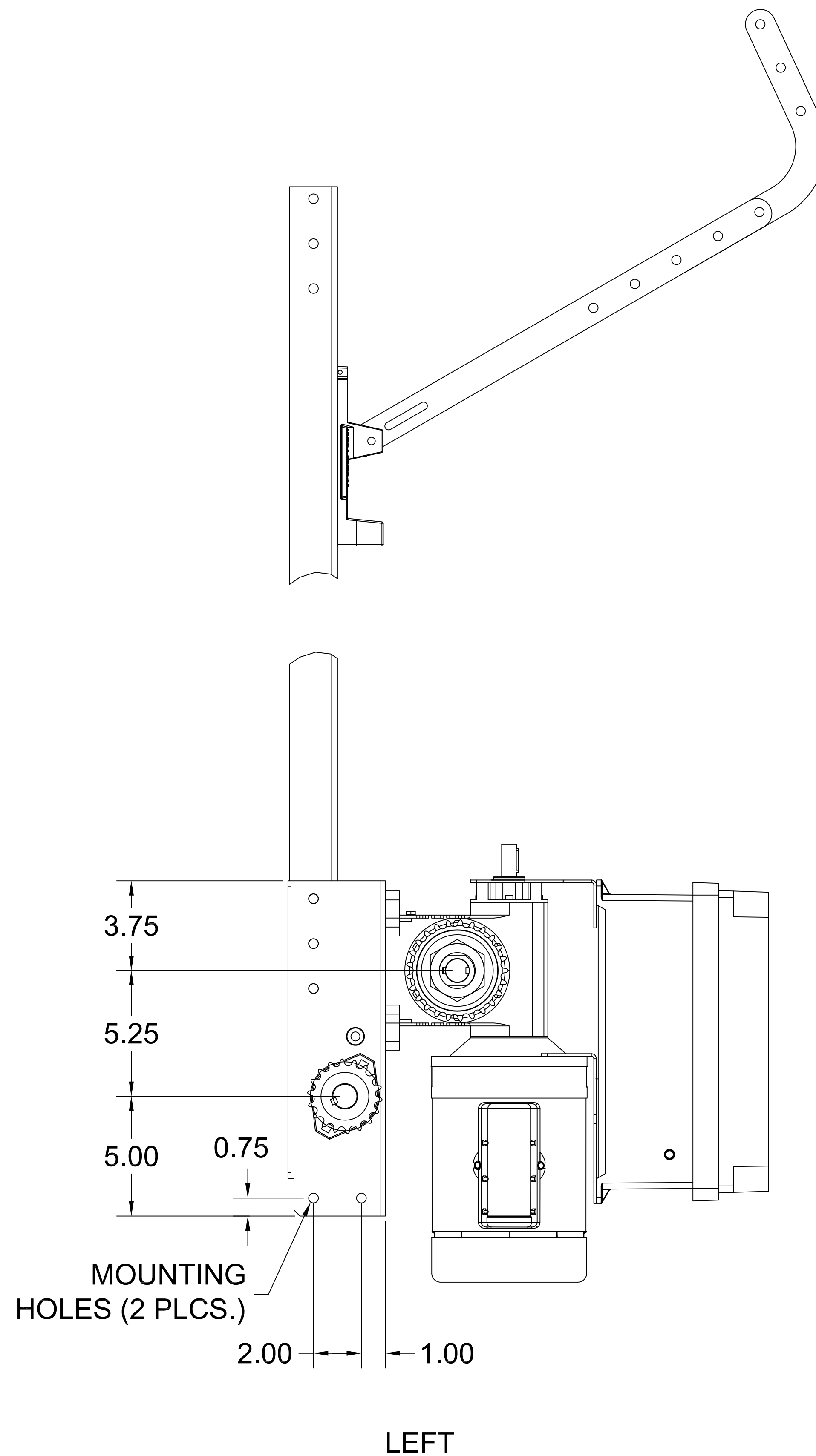
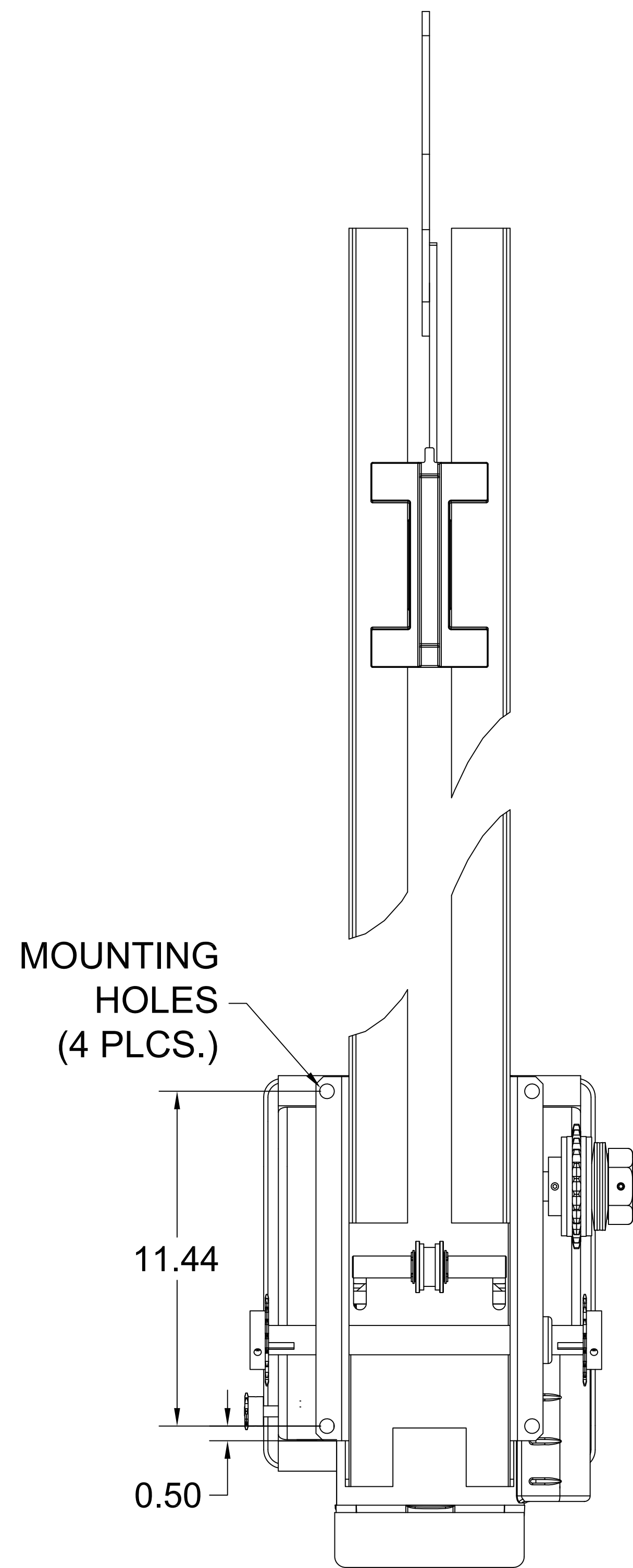
NEMA 4 (GT) OPERATOR

OPERATOR DIMENSION TABLE

HP	PHASE	DIMENSIONS			
		A	B	C	D
1/2	1	18-5/16"	7-3/4"	3-5/16"	N/A
3/4	1	18-13/16"	8-1/4"	3-13/16"	N/A
1	1	20-5/16"	9-3/4"	5-5/16"	N/A
-	-	-	-	-	-
1/2	3	18-5/16"	7-3/4"	3-5/16"	N/A
3/4	3	18-13/16"	8-1/4"	5-13/16"	N/A
1	3	20-5/16"	9-3/4"	5-5/16"	N/A
-	-	-	-	-	-
-	-	-	-	-	-
-	-	-	-	-	-

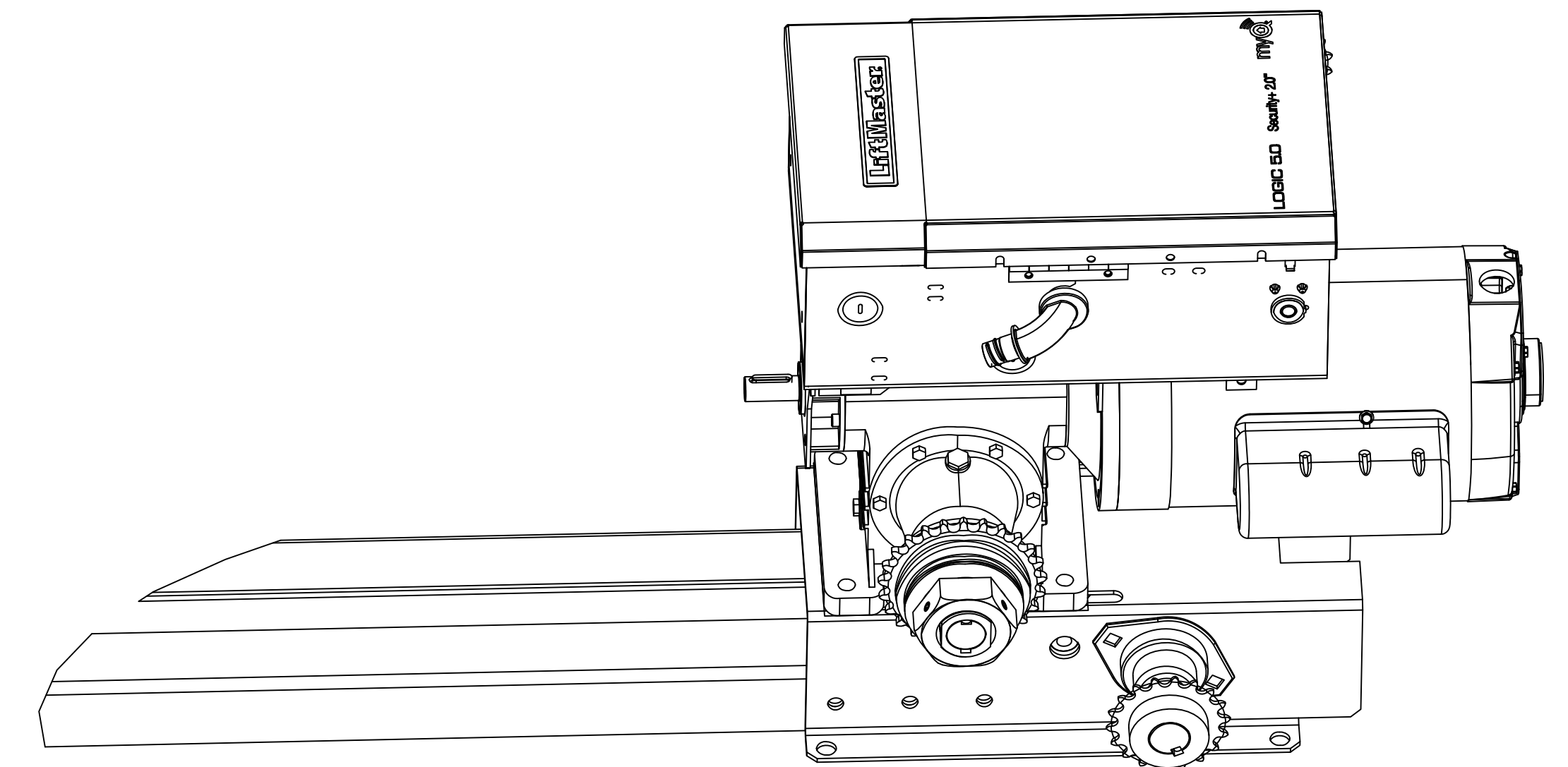
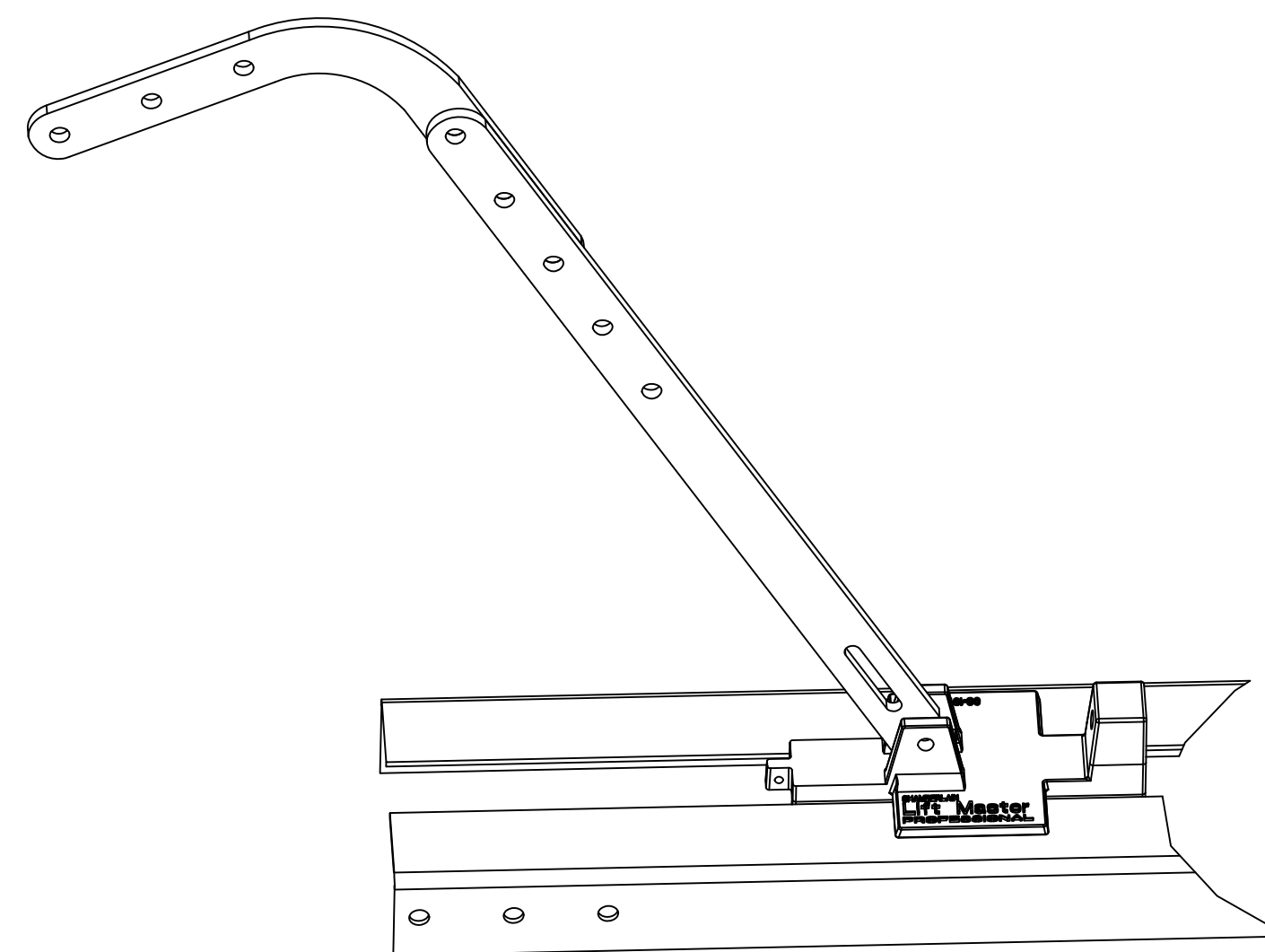
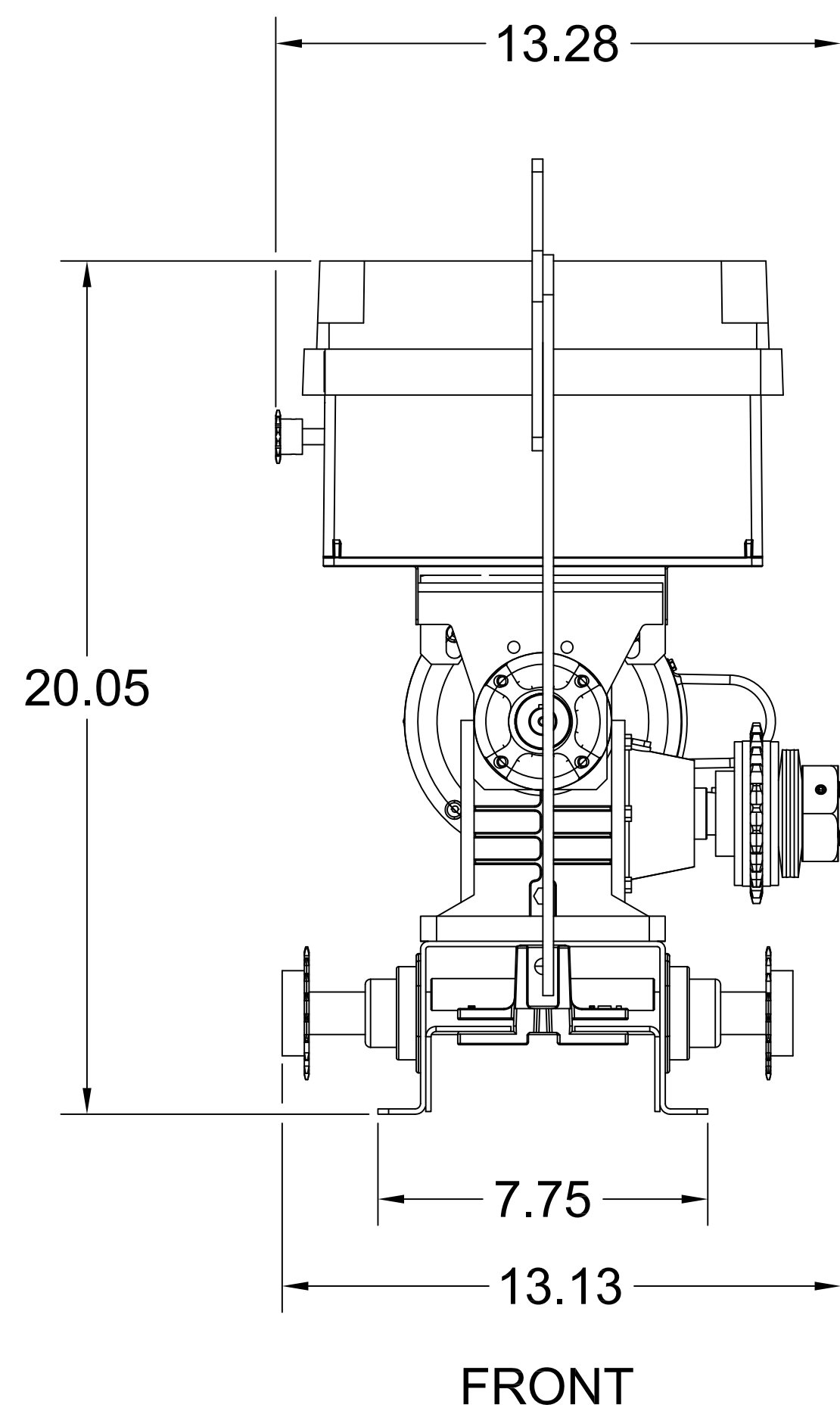
NOTE: DIMENSIONS A,B & C MAY VARY PER MOTOR MANUFACTURER SPECIFICATION REVISIONS AND SPECIAL MODIFICATIONS TO THE OPERATOR.

		300 WINDSOR DR. OAK BROOK, IL 60523 PHONE: (630) 418-6516 FAX: (630) 516-7059
DRW. BY: B. MOFFETT	REVISION:	SHEET NO: 1/3
DATE: 11/20/2018	SCALE: NTS	
TITLE: LIFTMASTER (NEMA 4 GT) OPERATOR		
CAD FILE: GT_ARCHSS		



PRELIMINARY
THIS PRINT IS SUBJECT TO CHANGE
WITH OUT REVISION

		300 WINDSOR DR. OAK BROOK, IL 60523 PHONE: (630) 418-6516 FAX: (630) 516-7059	
		LIFTMASTER (CHAMBERLAIN GROUP, INC.) ENGINEERED SERVICES	
DRW. BY: B. MOFFETT	REVISION:	SHEET NO: <h1>2/3</h1>	
DATE: 11/20/2018	SCALE: NTS		
TITLE: LIFTMASTER (NEMA 4 GT) OPERATOR CAD FILE: GT_ARCHSS			



PRELIMINARY
THIS PRINT IS SUBJECT TO CHANGE
WITH OUT REVISION

LiftMaster [®] LIFTMASTER (CHAMBERLAIN GROUP, INC.) ENGINEERED SERVICES		300 WINDSOR DR. OAK BROOK, IL 60523 PHONE: (630) 418-6516 FAX: (630) 516-7059	
		DRW. BY: B. MOFFETT DATE: 11/20/2018 TITLE: LIFTMASTER (NEMA 4 GT) OPERATOR CAD FILE: GT_ARCHSS	REVISION: SCALE: NTS