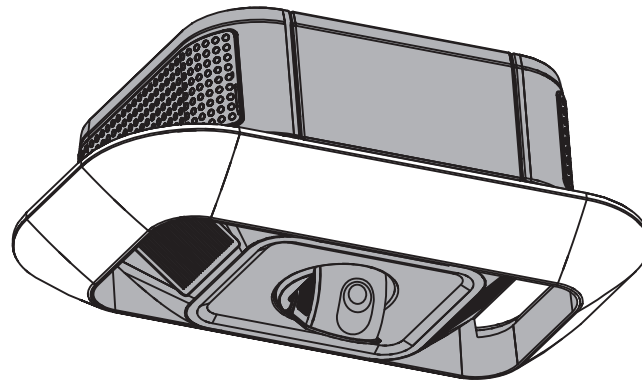
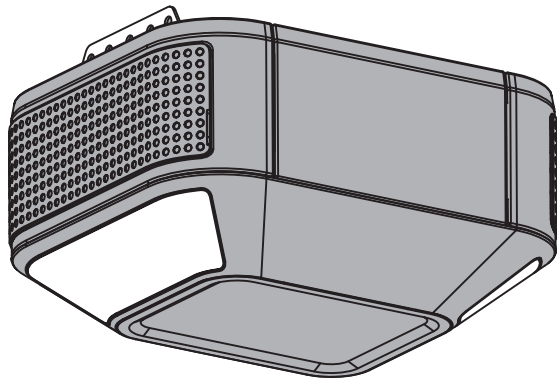


# Smart LED Garage Door Openers

**Belt Drive Models - 87504-267, 84501**

**Chain Drive Models - 87802, 84602**

FOR RESIDENTIAL USE ONLY



- Please read this manual and the safety materials carefully!
- Periodic checks of the garage door opener are required to ensure safe operation.
- This garage door opener is **ONLY** compatible with myQ® and Security+ 2.0® accessories.
- **DO NOT** install on a one-piece door if using devices or features providing unattended close. Unattended devices and features are to be used **ONLY** with sectional doors.
- Attach warning labels to the location indicated on label.

LiftMaster  
300 Windsor Drive  
Oak Brook, IL 60523

# LiftMaster®

# Table of Contents

---

<b>Preparation</b>	3	<b>Troubleshooting</b>	43
Carton Inventory 87504-267	6	<b>Accessories</b>	45
Carton Inventory 87802	7	<b>Warranty</b>	46
Carton Inventory 84501	8	<b>Repair Parts</b>	49
Carton Inventory 84602	9	Model 87504-267	49
<b>Assembly</b>	10	Model 87802	51
87504-267, 84501	10	Model 84602	53
84602	11	Model 84501	55
87802	12		
<b>Installation</b>	14		
<b>Control Panel</b>	22		
<b>Install the Protector System</b>	24		
<b>Power</b>	28		
<b>Adjustments</b>	30		
<b>Battery Backup</b>	32		
<b>Operation</b>	34		
<b>Maintenance</b>	42		

# Preparation

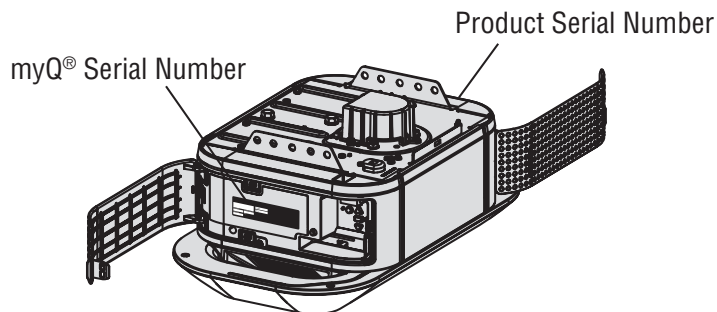
## myQ® Serial Number

Write down the following information for future reference:

myQ® Serial Number:

Product Serial Number:

Date of Purchase:



## Safety Symbol and Signal Word Review

This garage door opener has been designed and tested to offer safe service provided it is installed, operated, maintained and tested in strict accordance with the instructions and warnings contained in this manual.

When you see these Safety Symbols and Signal Words on the following pages, they will alert you to the possibility of serious injury or death if you do not comply with the warnings that accompany them. The hazard may come from something mechanical or from electric shock. Read the warnings carefully.



**Mechanical**



**Electrical**

When you see this Signal Word on the following pages, it will alert you to the possibility of damage to your garage door and/or the garage door opener if you do not comply with the cautionary statements that accompany it. Read them carefully.



**WARNING:** This product can expose you to chemicals including lead, which are known to the State of California to cause cancer or birth defects or other reproductive harm. For more information go to [www.P65Warnings.ca.gov](http://www.P65Warnings.ca.gov)

## Unattended Operation

The Timer-to-Close (TTC) feature, the myQ® App, and myQ® Garage Door and Gate Monitor are examples of unattended close and are to be used **ONLY** with sectional doors. Any device or feature that allows the door to close without being in the line of sight of the door is considered unattended close. The Timer-to-Close (TTC) feature, the myQ® App, and any other myQ® devices are to be used **ONLY** with sectional doors.

# Preparation

## Before You Connect with Your Smartphone

Monitor and control your garage door from anywhere using the myQ® App.

You will need:

- Wi-Fi® enabled smartphone, tablet or laptop
- Broadband Internet Connection
- Wi-Fi® signal in the garage (**2.4 GHz, 802.11b/g/n required**)
- Password for your home network (router's main account, not guest network)

## TEST THE WI-FI® SIGNAL STRENGTH

Make sure your mobile device is connected to your Wi-Fi® network. Hold your mobile device in the place where your garage door opener will be installed and check the Wi-Fi® signal strength.



### Check Signal Strength. If you see:



**Wi-Fi signal is strong.**  
The garage door opener will connect to your Wi-Fi network.

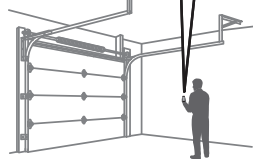


**Wi-Fi signal is weak.**  
The garage door opener may connect to your Wi-Fi network. If not, try one of the options below to improve the Wi-Fi signal:



**No Wi-Fi signal.**  
The garage door opener will not be able to connect to your Wi-Fi network. Try one of the options below to improve the Wi-Fi signal:

- Move your router closer to the garage door opener to minimize interference from walls and other objects
- Buy a Wi-Fi range extender



For compatible router specifications and help, visit [support.liftmaster.com](http://support.liftmaster.com).

See page 36 to connect the garage door opener to a mobile device.

## Check the Door

### **WARNING**

To prevent possible **SERIOUS INJURY** or **DEATH**:

- ALWAYS call a trained door systems technician if garage door binds, sticks, or is out of balance. An unbalanced garage door may NOT reverse when required.
- NEVER try to loosen, move or adjust garage door, door springs, cables, pulleys, brackets or their hardware, ALL of which are under **EXTREME** tension.
- Disable ALL locks and remove ALL ropes connected to garage door BEFORE installation and operating garage door opener to avoid entanglement.
- DO NOT install on a one-piece door if using devices or features providing unattended close. Unattended devices and features are to be used **ONLY** with sectional doors.

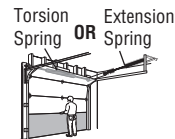
### **CAUTION**

To prevent damage to garage door and opener:

- ALWAYS disable locks BEFORE installing and operating the opener.
- ONLY operate garage door opener at 120V, 60 Hz to avoid malfunction and damage.

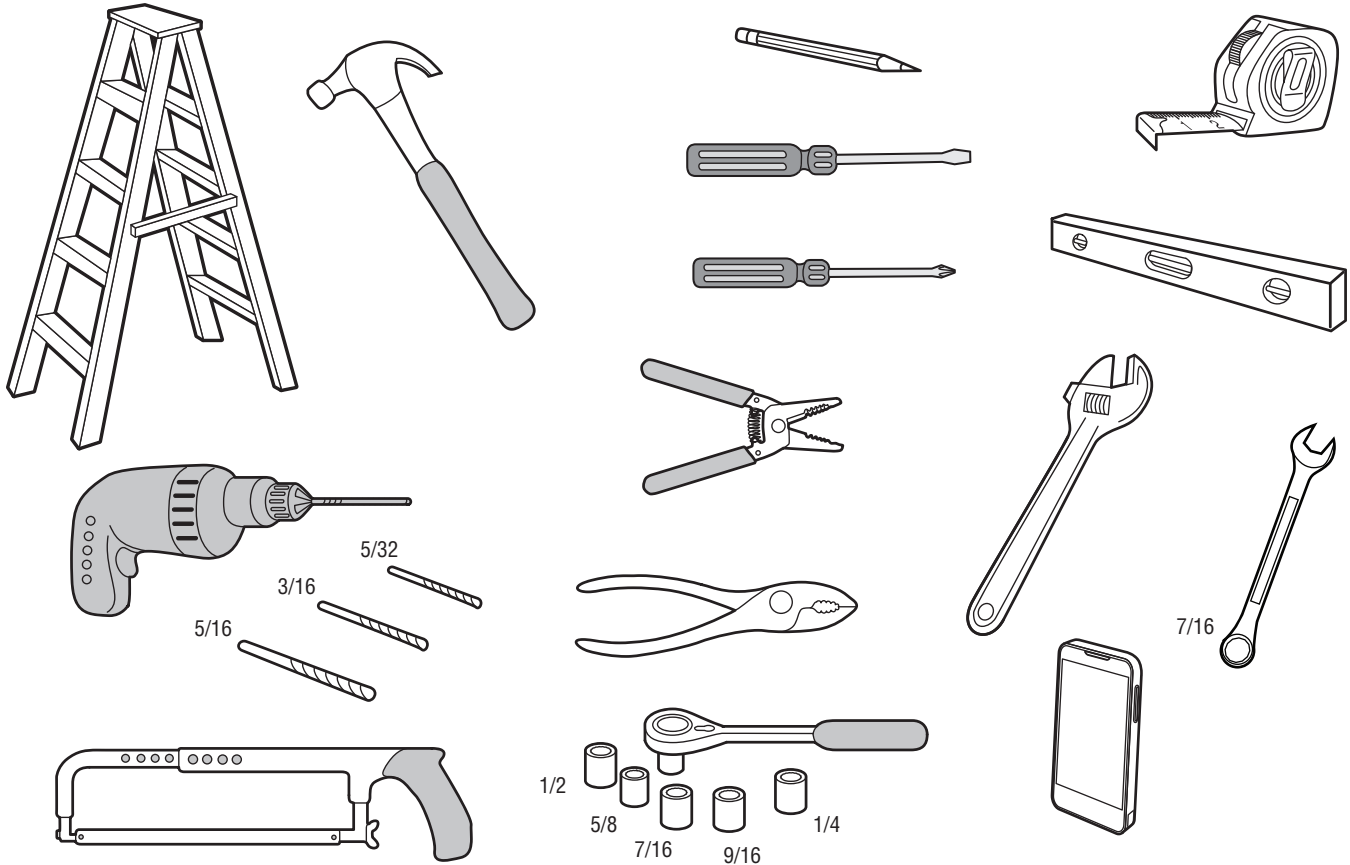
Before you begin:

1. Disable locks and remove any ropes connected to the garage door.
2. Lift the door halfway up. Release the door. If balanced, it should stay in place, supported entirely by its springs.
3. Raise and lower the door to check for binding or sticking. If your door binds, sticks, or is out of balance, call a trained door systems technician.
4. Check the seal on the bottom of the door. Any gap between the floor and the bottom of the door must not exceed 1/4" (6 mm). Otherwise, the safety reversal system may not work properly.
5. The opener should be installed above the center of the door. If there is a torsion spring or center bearing plate in the way of the header bracket, it may be installed within 4 feet (1.2 m) to the left or right of the door center. See page 15.



# Preparation

## Tools Needed



# Preparation

## Carton Inventory 87504-267

Accessories will vary depending on the garage door opener model purchased. Depending on your specific model, other accessories may be included with your garage door opener. The instructions for these accessories will be attached to the accessory and are not included in this manual. **The images throughout this manual are for reference and your product may look different.**

- A. Header bracket
- B. Pulley and bracket
- C. Door bracket
- D. Curved door arm
- E. Straight door arm
- F. Trolley
- G. Emergency release rope and handle
- H. Rail
- I. Garage door opener
- J. Pulley cover with hex screws
- K. Belt
- L. Control Panel®
- M. White and red/white wire
- N. The Protector System®  
Safety reversing sensors with white and white/black wire attached: Sending sensor (1), receiving sensor (1), and safety sensor brackets (2)
- O. Safety labels and literature
- P. Rail grease
- Q. Remote control (2)
- R. Battery
- S. Keyless Entry

## RAIL HARDWARE

Washed Bolt 5/16"-18 x 1/2" (2) [mounted in the top of the garage door opener]

## INSTALLATION HARDWARE

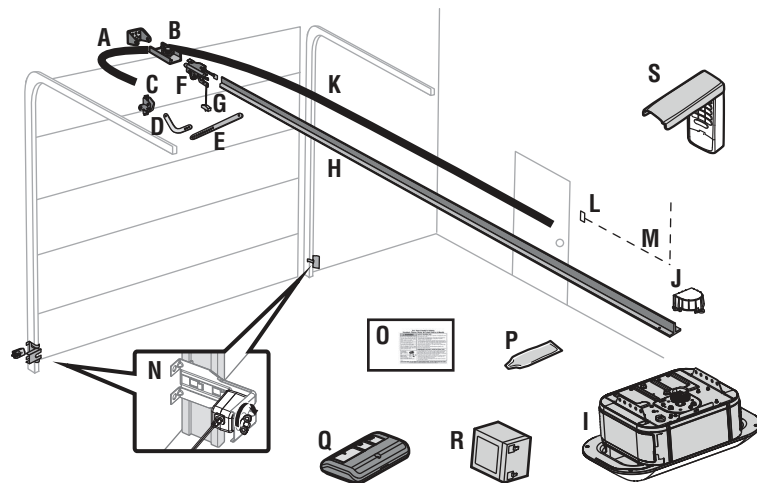
- Hex Bolt 5/16"-18 x 7/8" (4)
- Lag Screw 5/16"-9 x 1-5/8" (2)
- Clevis Pin 5/16" x 2-3/4" (1)
- Clevis Pin 5/16" x 1-1/4" (1)
- Clevis Pin 5/16" x 1" (1)
- Nut 5/16"-18 (4)
- Lock Washer 5/16" (4)
- Self-Threading Screw 1/4"-14 x 5/8" (2)
- Ring Fastener (3)
- Hex Screw 10-24 (2)
- Wing Nut (2)

## CONTROL PANEL HARDWARE

Screw 6AB x 1-1/4" (2)

Screw 6-32 x 1" (2)

Drywall Anchors (2)



# Preparation

## Carton Inventory 87802

Accessories will vary depending on the garage door opener model purchased. Depending on your specific model, other accessories may be included with your garage door opener. The instructions for these accessories will be attached to the accessory and are not included in this manual. **The images throughout this manual are for reference and your product may look different.**

- A. Header bracket
- B. Pulley and bracket
- C. Door bracket
- D. Curved door arm
- E. Straight door arm
- F. Trolley
- G. Emergency release rope and handle
- H. Rail
- I. Garage door opener
- J. Chain spreader with hex screws
- K. Chain
- L. Control Panel®
- M. White and red/white wire
- N. The Protector System®  
Safety reversing sensors with white and white/black wire attached: Sending sensor (1), receiving sensor (1), and safety sensor brackets (2)
- O. Safety labels and literature
- P. Rail grease
- Q. Remote control(s)
- R. Battery
- S. Chassis support bracket

## Hardware

### Chassis Support Bracket Hardware

- Screw #8-32 x 3/8" (1)
- Hex Bolts 1/4"-20 x 5/8" (2)
- Lock Washers (2)
- Washed Bolt 5/16"-18 x 1/2" (2)

### Chain Spreader Hardware

- Screw #8-32 x 3/8" (2)

### Rail Hardware

- Washed Bolts (mounted in the top of the garage door opener)

### Installation Hardware

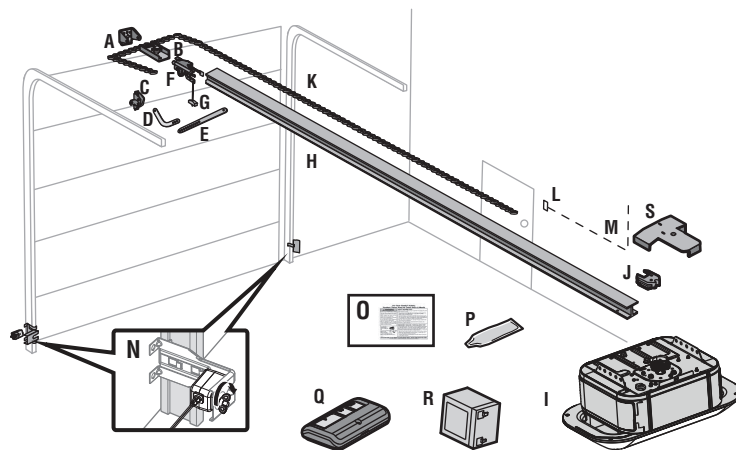
- Hex Bolt 5/16"-18 x 7/8" (4)
- Lag Screw 5/16"-9 x 1-5/8" (2)
- Clevis Pin 5/16" x 2-3/4" (1)
- Clevis Pin 5/16" x 1-1/4" (1)
- Clevis Pin 5/16" x 1" (1)
- Nut 5/16"-18 (4)
- Lock Washer 5/16" (4)

### Control Panel Hardware

- Screw 6AB x 1" (2)
- Screw 6-32 x 1" (2)

- Self-Threading Screw 1/4"-14 x 5/8" (2)
- Ring Fastener (3)
- Hex Screw 10-24 (2)
- Wing Nut (2)
- Hex Bolt 1/4"-20 x 5/8" (2)
- Lock Nut 1/4"-20 (2)
- Lag Screw 1/4" x 1-1/2" (4)

- Drywall Anchors (2)



# Preparation

## Carton Inventory 84501

Accessories will vary depending on the garage door opener model purchased. Depending on your specific model, other accessories may be included with your garage door opener. The instructions for these accessories will be attached to the accessory and are not included in this manual. **The images throughout this manual are for reference and your product may look different.**

- A. Header bracket
- B. Pulley and bracket
- C. Door bracket
- D. Curved door arm
- E. Straight door arm
- F. Trolley
- G. Emergency release rope and handle
- H. Rail
- I. Garage door opener
- J. Pulley cover with hex screws
- K. Belt
- L. Control panel
- M. White and red/white wire
- N. The Protector System®  
Safety reversing sensors with white and white/black wire attached: Sending sensor (1), receiving sensor (1), and safety sensor brackets (2)
- O. Safety labels and literature
- P. Rail grease
- Q. Remote control

## RAIL HARDWARE

Washed Bolt 5/16"-18 x 1/2" (2) (mounted in the top of the garage door opener)

Hex Bolt 5/16"-18 x 7/8" (4)

Lag Screw 5/16"-9 x 1-5/8" (2)

Clevis Pin 5/16" x 2-3/4" (1)

Clevis Pin 5/16" x 1-1/4" (1)

Clevis Pin 5/16" x 1" (1)

Nut 5/16"-18 (4)

## CONTROL PANEL HARDWARE

Screw 6AB x 1-1/4" (2)

Screw 6-32 x 1" (2)

Lock Washer 5/16" (4)

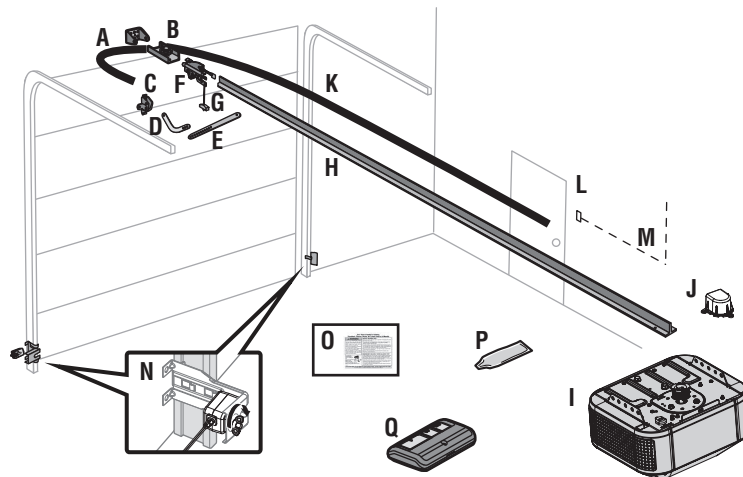
Self-Threading Screw 1/4"-14 x 5/8" (2)

Ring Fastener (3)

Hex Screw 10-24 (2)

Wing Nut (2)

Drywall Anchors (2)





# Preparation

## Carton Inventory 84602

Accessories will vary depending on the garage door opener model purchased. Depending on your specific model, other accessories may be included with your garage door opener. The instructions for these accessories will be attached to the accessory and are not included in this manual. **The images throughout this manual are for reference and your product may look different.**

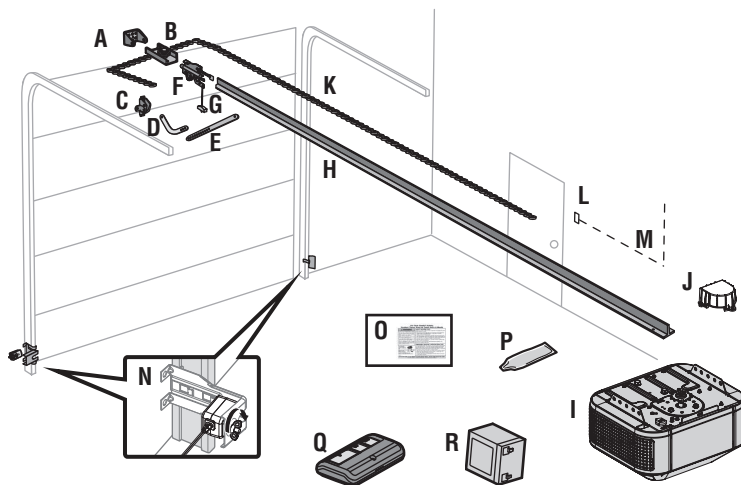
- A. Header bracket
- B. Pulley and bracket
- C. Door bracket
- D. Curved door arm
- E. Straight door arm
- F. Trolley
- G. Emergency release rope and handle
- H. Rail
- I. Garage door opener
- J. Sprocket cover with hex screws
- K. Chain
- L. Control panel
- M. White and red/white wire
- N. The Protector System®  
Safety reversing sensors with white and white/black wire attached: Sending sensor (1), receiving sensor (1), and safety sensor brackets (2)
- O. Safety labels and literature
- P. Remote control
- Q. Remote control
- R. Battery

## RAIL HARDWARE

- Washed Bolt 5/16"-18 x 1/2" (2) (mounted in the top of the garage door opener)
- Hex Bolt 5/16"-18 x 7/8" (4)
- Lag Screw 5/16"-9 x 1-5/8" (2)
- Clevis Pin 5/16" x 2-3/4" (1)
- Clevis Pin 5/16" x 1-1/4" (1)
- Clevis Pin 5/16" x 1" (1)
- Nut 5/16"-18 (4)
- Lock Washer 5/16"-16 (4)
- Self-Threading Screw 1/4"-14 x 5/8" (2)
- Ring Fastener (3)
- Hex Screw 10-24 (2)
- Wing Nut (2)

## CONTROL PANEL HARDWARE

- Screw 6AB x 1-1/4" (2)
- Drywall Anchors (2)
- Screw 6-32 x 1" (2)



# Assembly

## 1 Attach the Belt Rail to the Garage Door Opener 87504-267, 84501

### WARNING

To avoid possible SERIOUS INJURY to finger from moving garage door opener:

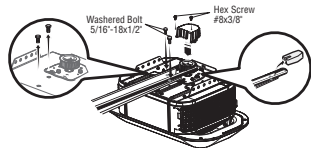
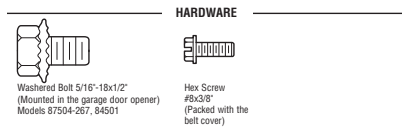
- ALWAYS keep hand clear of sprocket while operating opener.
- Securely attach sprocket cover BEFORE operating.

### CAUTION

To avoid SERIOUS damage to garage door opener, use ONLY those bolts/fasteners mounted in the top of the opener.

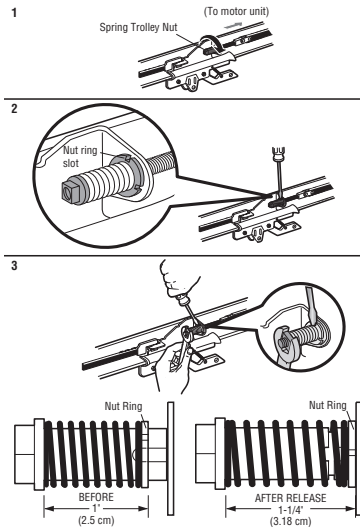
**NOTE:** ONLY use the bolts removed from the garage door opener. Place the garage door opener on the packing material to prevent scratching.

1. **Models 87504-267 and 84501** Remove the two bolts from the top of the garage door opener.
2. Align the holes in the rail with the holes in the garage door opener..
3. Fasten the rail with the previously mentioned bolts. Cut away and discard the tape and Styrofoam from around the rail.
4. Position the belt around the garage door opener sprocket.
5. Position the sprocket cover over the garage door opener sprocket and attach with hex screws.



## 2 Tighten the Belt

1. Insert a flathead screwdriver tip into one of the nut ring slots and brace it firmly against the trolley.
2. Tighten the spring trolley nut with an adjustable wrench or a 7/16" open end wrench about a quarter turn until the spring releases and snaps the nut ring against the trolley. This sets the spring to optimum belt tension.



# Assembly

## 1 Attach Chain Rail to the Garage Door Opener Model 84602

### **WARNING**

To avoid possible **SERIOUS INJURY** to finger from moving garage door opener:

- ALWAYS keep hand clear of sprocket while operating opener.
- Securely attach sprocket cover **BEFORE** operating.

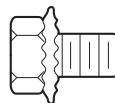
### **CAUTION**

To avoid **SERIOUS** damage to garage door opener, use **ONLY** those bolts/fasteners mounted in the top of the opener.

**NOTE:** ONLY use the bolts removed from the garage door opener. Place the garage door opener on the packing material to prevent scratching.

1. Remove the two bolts from the top of the garage door opener.
2. Align the holes in the rail with the holes in the garage door opener.
3. Fasten the rail with the previously mentioned bolts. Cut away and discard the tape and Styrofoam from around the rail.
4. Position the chain around the garage door opener sprocket.
5. Position the sprocket cover over the garage door opener sprocket and attach with hex screws.

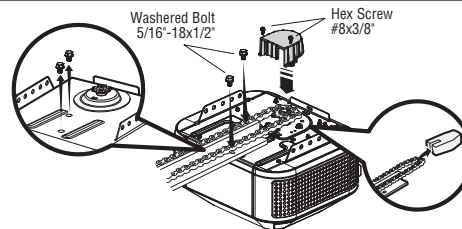
### HARDWARE



Washed Bolt 5/16-18x1/2"  
(Mounted in the garage door opener)  
Models 87504-267, 84501



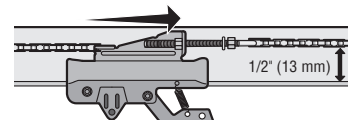
Hex Screw  
#8x3/8"  
(Packed with the sprocket cover)



## 2 Tighten the Chain for Model 84602

1. Loosen the inner nut and lock washer on the trolley threaded shaft.
2. Tighten the outer nut until the chain is 1/2" above the base of the rail at the midpoint of the rail.
3. Re-tighten the inner nut.

Slack in the chain is normal when the door is closed. No readjustment is necessary.



# Assembly

## 1 Attach the I-Beam Chain Rail to the Garage Door Opener 87802

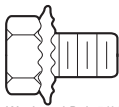
### CAUTION

To avoid SERIOUS damage to garage door opener, use ONLY those bolts/fasteners mounted in the top of the opener.

**NOTE:** ONLY use the bolts removed from the garage door opener. Place the garage door opener on the packing material to prevent scratching.

1. Remove the two bolts from the top of the garage door opener.
2. Align the holes in the rail with the holes in the garage door opener.
3. Fasten the rail with the previously mentioned bolts. Cut away and discard the tape and Styrofoam from around the rail.
4. Position the chain around the garage door opener sprocket.
5. Attach the chain spreader to the garage door opener with screws.
6. Guide the chain around the selected groove in the chain spreader.

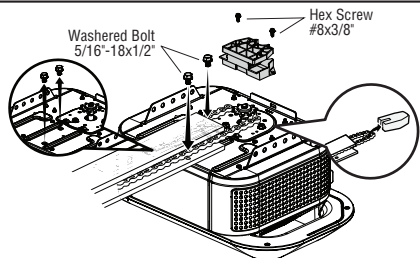
#### HARDWARE



Washed Bolt 5/16-18x1/2"  
(Mounted in the garage door opener)



Hex Screw  
#8x3/8"  
(Packed with the sprocket cover)



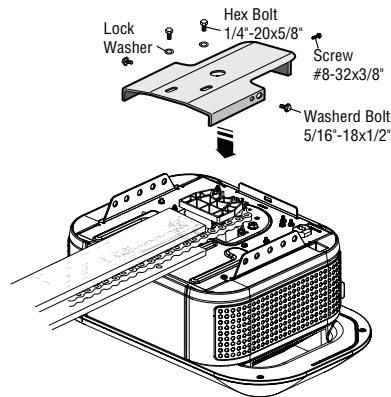
## 2 Attach the Chassis Support Bracket

### WARNING

To avoid possible SERIOUS INJURY to finger from moving garage door opener:

- ALWAYS keep hand clear of sprocket while operating opener.
- Securely attach sprocket cover BEFORE operating.

1. Position the chassis support bracket on the unit.
2. Attach the bracket to the rail with 1/4"-20 x 5/8" hex bolts and lock washers. **Do not overtighten.**
3. Attach the bracket to the opener by inserting a 5/16"-18 x 1/2" washered screw through a hole in each side flange and a matching hole in the bracket. Complete the connection by inserting the #8-32 x 3/8" screw through the back flange and the hole in rail support.



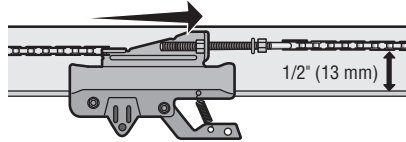
# Assembly

---

## 3 Tighten the Chain

1. Loosen the inner nut and lock washer on the trolley threaded shaft.
2. Tighten the outer nut until the chain is a 1/2" above the base of the rail at the midpoint of the rail.
3. Re-tighten the inner nut.

Slack in the chain is normal when the door is closed. No readjustment is necessary.



# IMPORTANT INSTALLATION INSTRUCTIONS



## To reduce the risk of SEVERE INJURY or DEATH:

1. READ AND FOLLOW ALL INSTALLATION WARNINGS AND INSTRUCTIONS.
2. Install garage door opener ONLY on properly balanced and lubricated garage door. An improperly balanced door may NOT reverse when required and could result in SEVERE INJURY or DEATH.
3. ALL repairs to cables, spring assemblies and other hardware MUST be made by a trained door systems technician BEFORE installing opener.
4. Disable ALL locks and remove ALL ropes connected to garage door BEFORE installing opener to avoid entanglement.
5. Where possible, install the door opener 7 feet (2.13 m) or more above the floor.
6. Mount the emergency release within reach, but at least 6 feet (1.83 m) above the floor and avoiding contact with vehicles to avoid accidental release.
7. NEVER connect garage door opener to power source until instructed to do so.
8. NEVER wear watches, rings or loose clothing while installing or servicing opener. They could be caught in garage door or opener mechanisms.
9. Install wall-mounted garage control panel:
  - within sight of the garage door.
  - out of reach of small children at a minimum height of 5 feet (1.5 m) above floors, landings, steps or any other adjacent walking surface.
  - away from ALL moving parts of the door.
10. Place entrapment warning label on wall next to garage control panel in a prominent location.
11. Place emergency release/safety reverse test label in plain view on inside of garage door.
12. Upon completion of installation, test safety reversal system. Door MUST reverse on contact with a 1-1/2" (3.8 cm) high object (or a 2x4 laid flat) on the floor.
13. DO NOT install on a one-piece door if using devices or features providing unattended close. Unattended devices and features are to be used ONLY with sectional doors.

14. **SAVE THESE INSTRUCTIONS.**

# Installation

## 1 Determine the Header Bracket Location

### **WARNING**

To prevent possible **SERIOUS INJURY** or **DEATH**:

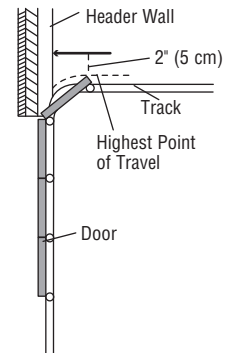
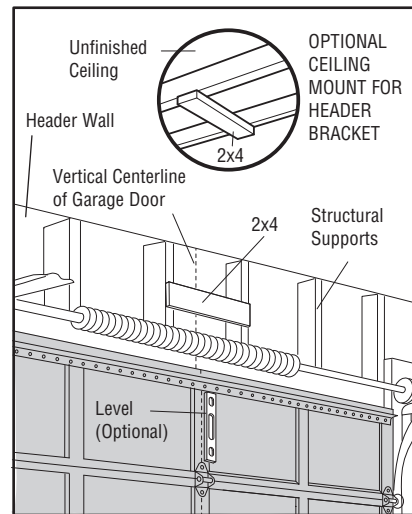
- Header bracket **MUST** be **RIGIDLY** fastened to structural support on header wall or ceiling, otherwise garage door might **NOT** reverse when required. **DO NOT** install header bracket over drywall.
- Concrete anchors **MUST** be used if mounting header bracket or 2x4 into masonry.
- **NEVER** try to loosen, move or adjust garage door, springs, cables, pulleys, brackets, or their hardware, **ALL** of which are under **EXTREME** tension.
- **ALWAYS** call a trained door systems technician if garage door binds, sticks, or is out of balance. An unbalanced garage door might **NOT** reverse when required.

Close the door and mark the inside vertical centerline of the garage door.

Extend the line onto the header wall above the door. You can fasten the header bracket within 4 feet (1.22 m) of the left or right of the door center only if a torsion spring or center bearing plate is in the way; or you can attach it to the ceiling when clearance is minimal. (It may be mounted on the wall upside down if necessary, to gain approximately 1/2" (1 cm). If you need to install the header bracket on a 2x4 (on wall or ceiling), use lag screws (not provided) to securely fasten the 2x4 to structural supports.

Open your door to the highest point of travel as shown. Draw an intersecting horizontal line on the header wall 2" (5 cm) above the high point. This height will provide travel clearance for the top edge of the door.

**NOTE:** If the total number of inches exceeds the height available in your garage, use the maximum height possible, or refer to page 16 for ceiling installation.



Sectional door with curved track

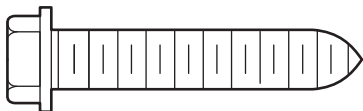
# Installation

## 2 Install the Header Bracket

You can attach the header bracket either to the wall above the garage door, or to the ceiling. Follow the instructions which will work best for your particular requirements. **Do not install the header bracket over drywall. If installing into masonry, use concrete anchors (not provided).**

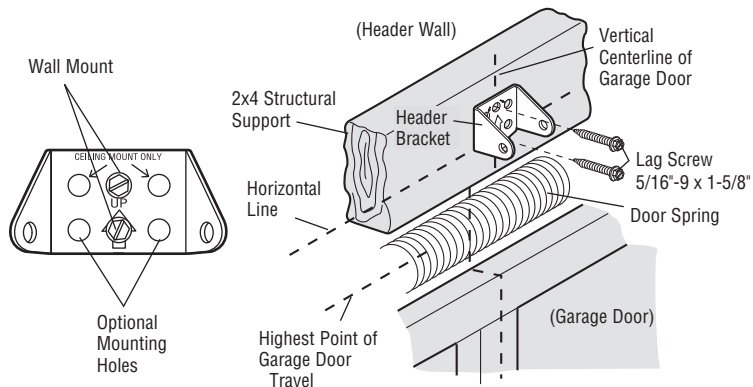
### HARDWARE

Lag Screw 5/16"-9x1-5/8"



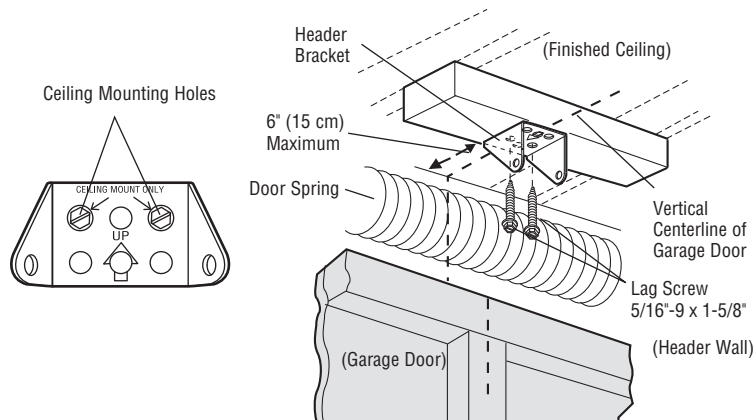
### OPTION A - WALL INSTALLATION

1. Center the bracket on the vertical centerline with the bottom edge of the bracket on the horizontal line as shown (with the arrow pointing toward the ceiling).



### OPTION B - CEILING INSTALLATION

1. Extend the vertical centerline onto the ceiling as shown.
2. Mark the side holes. Drill 3/16" pilot holes and fasten bracket securely to a structural support with the hardware provided.





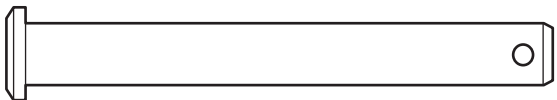
# Installation

## 3 Attach the Rail to the Header Bracket

1. Align the rail with the header bracket. Insert the clevis pin through the holes in the header bracket and rail. Secure with the ring fastener.

**NOTE:** Use the packing material as a protective base for the garage door opener.

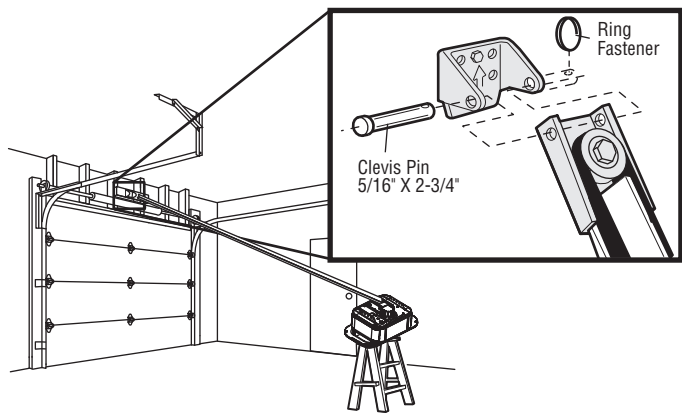
### HARDWARE



Clevis Pin 5/16" x 2-3/4"



Ring Fastener



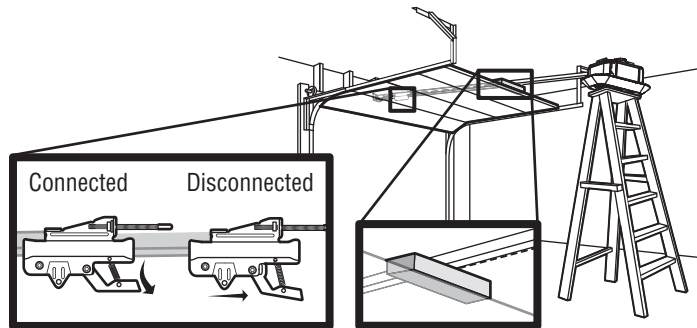
## 4 Position the Garage Door Opener

### CAUTION

To prevent damage to garage door, rest garage door opener rail on 2x4 placed on top section of door.

1. Remove the packing material and lift the garage door opener onto a ladder.
2. Fully open the door and place a 2x4 (laid flat) under the rail.

A 2x4 is ideal for setting the distance between the rail and the door. If the ladder is not tall enough you will need help at this point. If the door hits the trolley when it is raised, pull the trolley release arm down to disconnect the inner and outer trolley. Slide the outer trolley toward the garage door opener. The trolley can remain disconnected until instructed.



# Installation

## 5 Hang the Garage Door Opener

### **WARNING**

To avoid possible **SERIOUS INJURY** from a falling garage door opener, fasten it **SECURELY** to structural supports of the garage. Concrete anchors **MUST** be used if installing **ANY** brackets into masonry.

Hanging your garage door opener will vary depending on your garage. Two representative installations are shown. Yours may be different. Hanging brackets should be angled (Figure 1) to provide rigid support. On finished ceilings (Figure 2), attach a sturdy metal bracket to structural supports before installing the opener. This bracket and fastening hardware are not provided.

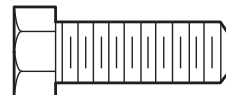
1. Measure the distance from each side of the motor unit to the structural support.
2. Cut both pieces of the hanging bracket to required lengths.
3. Drill 3/16" pilot holes in the structural supports.
4. Attach one end of each bracket to a support with 5/16"-18 x 1-7/8" lag screws (not provided).
5. Fasten the opener to the hanging brackets with 5/16"-18 x 7/8" hex bolts, lock washers and nuts.
6. Check to make sure the rail is centered over the door (or in line with the header bracket if the bracket is not centered above the door).
7. Remove the 2x4. Operate the door manually. If the door hits the rail, raise the header bracket.

**NOTE:** *DO NOT connect power to opener at this time.*

### HARDWARE



Lock Washer 5/16"



Hex Bolt 5/16"- 18x7/8"



Nut 5/16"-18

FIGURE 1

Unfinished Ceiling

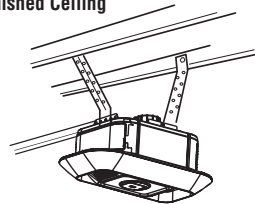


FIGURE 2

Finished Ceiling

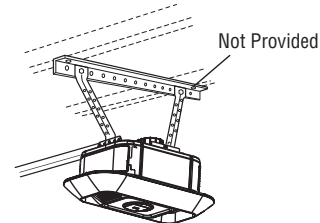
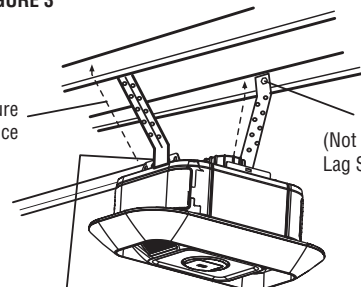


FIGURE 3

Measure Distance



Hex Bolt 5/16"- 18x7/8", Lock Washer 5/16", Nut 5/16"-18

# Installation

## 6 Attach the Emergency Release Rope and Handle

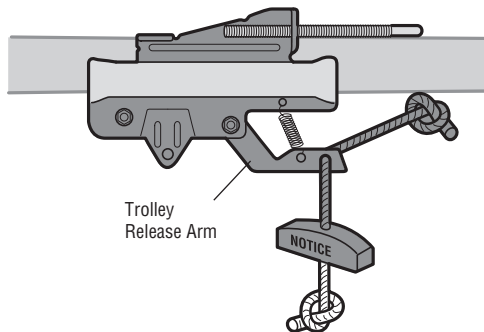
### **WARNING**

To prevent possible **SERIOUS INJURY** or **DEATH** from a falling garage door:

- If possible, use emergency release handle to disengage trolley **ONLY** when garage door is **CLOSED**. Weak or broken springs or unbalanced door could result in an open door falling rapidly and/or unexpectedly.
- **NEVER** use emergency release handle unless garage doorway is clear of persons and obstructions.
- **NEVER** use handle to pull door open or closed. If rope knot becomes untied, you could fall.

1. Insert one end of the emergency release rope through the handle. Make sure that "NOTICE" is right side up. Secure with an overhand knot at least 1" (2.5 cm) from the end of the rope to prevent slipping.
2. Insert the other end of the emergency release rope through the hole in the trolley release arm. Mount the emergency release within reach, but at least 6 feet (1.83 m) above floor, avoiding contact with vehicles to prevent accidental release and secure with an overhand knot.

**NOTE:** *If it is necessary to cut the emergency release rope, seal the cut end with a match or lighter to prevent unraveling. Ensure the emergency release rope and handle are above the top of all vehicles to avoid entanglement.*



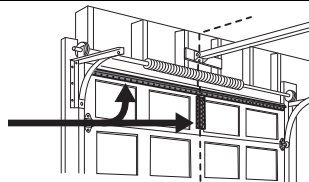
# Installation

## 7 Install the Door Bracket

### CAUTION

Fiberglass, aluminum or lightweight steel garage doors **WILL REQUIRE** reinforcement BEFORE installation of door bracket. Contact the garage door manufacturer or installing dealer for opener reinforcement instructions or reinforcement kit.

A horizontal and vertical reinforcement is needed for lightweight garage doors (fiberglass, aluminum, steel, doors with glass panel, etc.) (not provided). A horizontal reinforcement brace should be long enough to be secured to two or three vertical supports. A vertical reinforcement brace should cover the height of the top panel. Contact the garage door manufacturer or installing dealer for opener reinforcement instructions or reinforcement kit.



**NOTE:** Many door reinforcement kits provide for direct attachment of the clevis pin and door arm. In this case you will not need the door bracket; proceed to the next step.

### SECTIONAL DOORS

1. Center the door bracket on the previously marked vertical centerline used for the header bracket installation. Note correct UP placement, as stamped inside the bracket.
2. Position the top edge of the bracket 2"-4" (5-10 cm) below the top edge of the door, OR directly below any structural support across the top of the door.
3. Mark, drill holes and install as follows, depending on your door's construction:

### Metal or light weight doors using a vertical angle iron brace between the door panel support and the door bracket:

- Drill 3/16" fastening holes. Secure the door bracket using the two self threading screws. (Figure 1)
- Alternately, use two 5/16"-18x2" bolts, lock washers and nuts (not provided). (Figure 2)

### Metal, insulated or light weight factory reinforced doors:

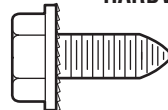
- Drill 3/16" fastening holes. Secure the door bracket using the self-threading screws. (Figure 3)

### Wood Doors:

- Use top and bottom or side to side door bracket holes. Drill 5/16" holes through the door and secure bracket with 5/16"-18 x 2" carriage bolts, lock washers and nuts (not provided). (Figure 4)

**NOTE:** The 1/4"-14 x 5/8" self-threading screws are not intended for use on wood doors.

### HARDWARE



Self-Threading Screw  
1/4"-14 x 5/8"

FIGURE 1

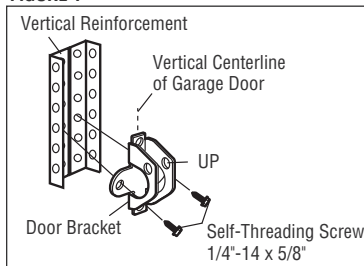


FIGURE 2

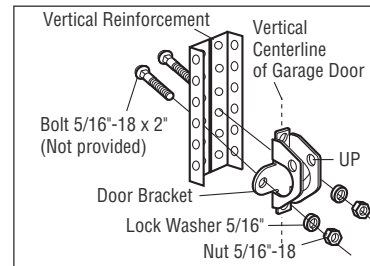


FIGURE 3

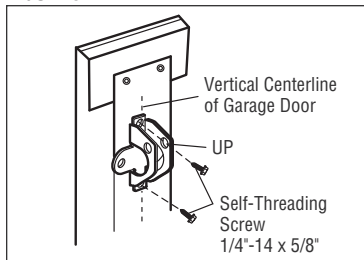
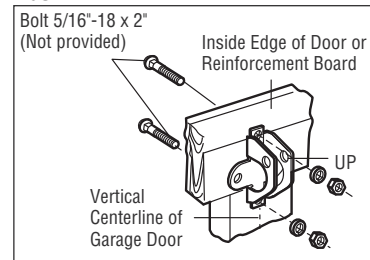


FIGURE 4



# Installation

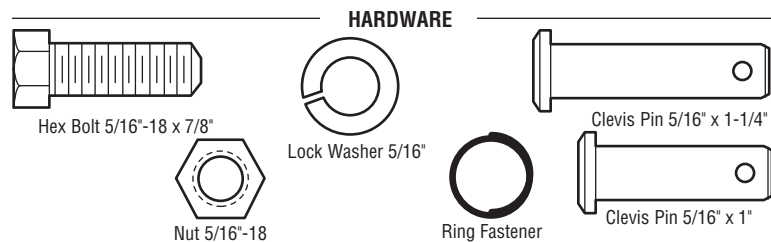
## 8 Connect the Door Arm to the Trolley

**IMPORTANT:** The groove on the straight door arm **MUST** face away from the curved door arm.

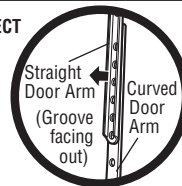
1. Close the door. Disconnect the trolley by pulling the emergency release handle. Slide the outer trolley back (away from the door) about 2" (5 cm).
2. Attach the straight door arm to the outer trolley using the clevis pin. Attach with the ring fastener.
3. Attach the curved door arm to the door bracket using the clevis pin. Attach with the ring fastener.
4. Align the straight door arm with the curved door arm. Select two aligned holes (as far apart as possible) and attach using the bolts, nuts and lock washers.

**NOTE:** If the holes do not line up, reverse the straight door arm. Select two aligned holes (as far apart as possible) and attach using the bolts, nuts and lock washers.

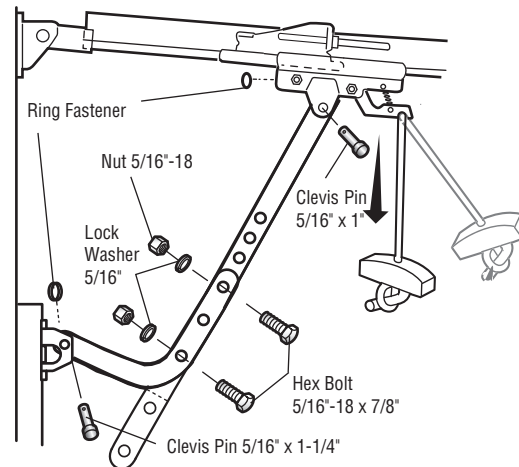
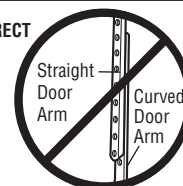
5. Pull the emergency release handle toward the garage door opener until the trolley release arm is horizontal. The trolley will re-engage automatically when the garage door opener is activated.



**CORRECT**



**INCORRECT**



# Control Panel

## 1 Install the Control Panel

### **WARNING**

To prevent possible **SERIOUS INJURY** or **DEATH** from electrocution:

- Be sure power is **NOT** connected **BEFORE** installing control panel.
- Connect control panel **ONLY** to **12 VOLT** low voltage wires.

To prevent possible **SERIOUS INJURY** or **DEATH** from a closing garage door:

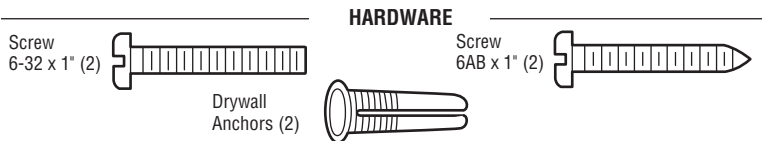
- Install control panel within sight of garage door, out of reach of small children at a minimum height of 5 feet (1.5 m) above floors, landings, steps or any other adjacent walking surface, and away from **ALL** moving parts of door.
- **NEVER** permit children to operate or play with control panel push buttons or remote control transmitters.
- Activate door **ONLY** when it can be seen clearly, is properly adjusted, and there are no obstructions to door travel.
- **ALWAYS** keep garage door in sight until completely closed. **NEVER** permit anyone to cross path of closing garage door.

### INTRODUCTION

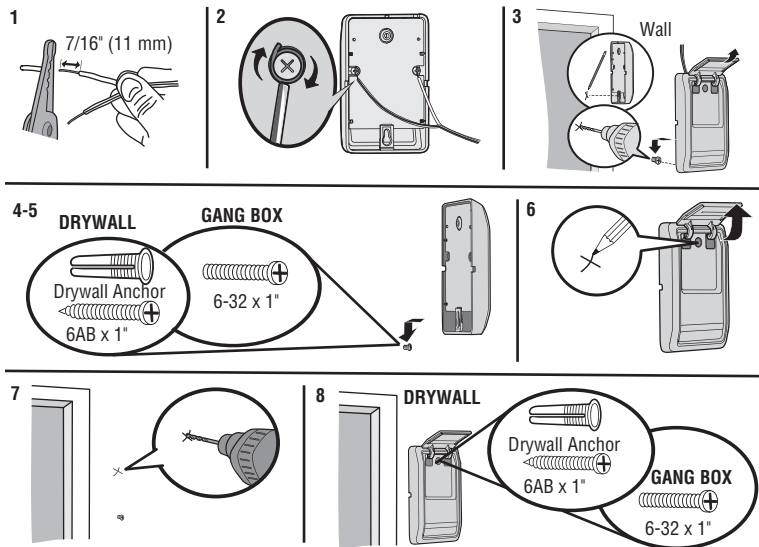
Compatible with myQ® and Security+ 2.0 accessories, see page 36. Your garage door opener is compatible with up to 2 Smart Control Panels or 4 of any other Security+ 2.0 control panels. **NOTE: Older control panels and third party products are not compatible.**

Install door control within sight of garage door, out of reach of small children at a minimum height of 5 feet (1.5 m) above floors, landings, steps or any other adjacent walking surface, and away from **ALL** moving parts of door. For gang box installations it is not necessary to drill holes or install the drywall anchors. Use the existing holes in the gang box.

**NOTE: Your product may look different than the illustrations.**



1. Strip 7/16" (11 mm) of insulation from one end of the wire and separate the wires.
2. Connect one wire to each of the two screws on the back of the control panel. The wires can be connected to either screw.  
**PRE-WIRED INSTALLATIONS:** Choose any two wires to connect, note which wires are used so the correct wires are connected at the garage door opener in a later step.
3. Mark the location of the bottom mounting hole and drill a 5/32" hole.
4. Install the bottom screw, allowing 1/8" (3 mm) to protrude from the wall.
5. Position the bottom hole of the control panel over the screw and slide down into place.
6. Lift the push bar up and mark the top hole.
7. Remove the control panel from the wall and drill a 5/32" hole for the top screw.
8. Position the bottom hole of the control panel over the screw and slide down into place. Attach the top screw.

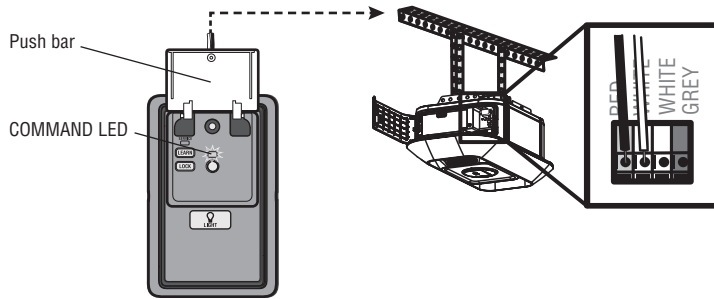


# Control Panel

## 2 Wire the Control Panel to the Garage Door Opener

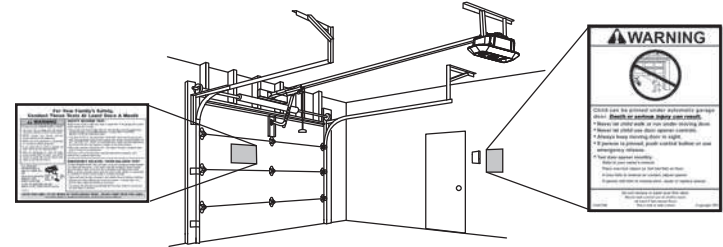
**PRE-WIRED INSTALLATIONS:** When wiring the control panel to the garage door opener make sure you use the same wires that are connected to the control panel.

1. Run the white and red/white wire from the control panel to the garage door opener. Attach the wire to the wall and ceiling with staples (not applicable for gang box or pre-wired installations). Do not pierce the wire with the staple as this may cause a short or an open circuit.
2. Strip 7/16" (11 mm) of insulation from the end of the wire near the garage door opener.
3. Connect the wire to the red and white terminals on the garage door opener. To insert or release wires from the terminal, push in the tab with screwdriver tip.



## 3 Attach the Warning Labels

1. Attach the entrapment warning label on the wall near the control panel with tacks or staples.
2. Attach the manual release/safety reverse test label in a visible location on the inside of the garage door.



# Install the Protector System®

## Introduction

### **WARNING**

Be sure power is NOT connected to the garage door opener BEFORE installing the safety reversing sensor.

To prevent SERIOUS INJURY or DEATH from closing garage door:

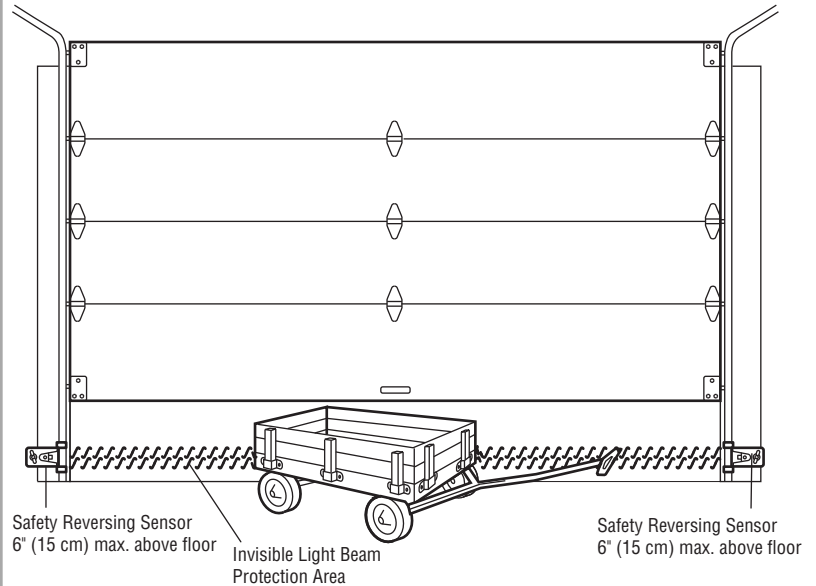
- Correctly connect and align the safety reversing sensor. This required safety device MUST NOT be disabled.
- Install the safety reversing sensor so beam is NO HIGHER than 6" (15 cm) above garage floor.

**IMPORTANT:** The safety reversing sensors MUST be connected and aligned correctly before the garage door opener will move in the down direction.

The Protector System® includes two safety reversing sensors which use a light beam to prevent the garage door from closing. The sending sensor (amber LED) transmits the beam to the receiving sensor (green LED) when both are powered and aligned. The receiving sensor (green LED) has a label on the sensor to identify it as the receiving sensor before it is powered on. If an obstruction breaks the light beam while the door is closing, the door will stop, and reverse to the full open position.

**When installing the safety reversing sensors, check:**

- Sensors are installed INSIDE the garage.
- Sensor lenses are facing each other. **IMPORTANT:** Do not allow direct sunlight to the receiving sensor (green LED).
- Sensor beam is NO HIGHER than 6" (15 cm) above the floor and the light beam is unobstructed.
- The receiving sensor has a warning sticker on the back.





# Install the Protector System®

## 1 Install the Safety Reversing Sensors

### HARDWARE

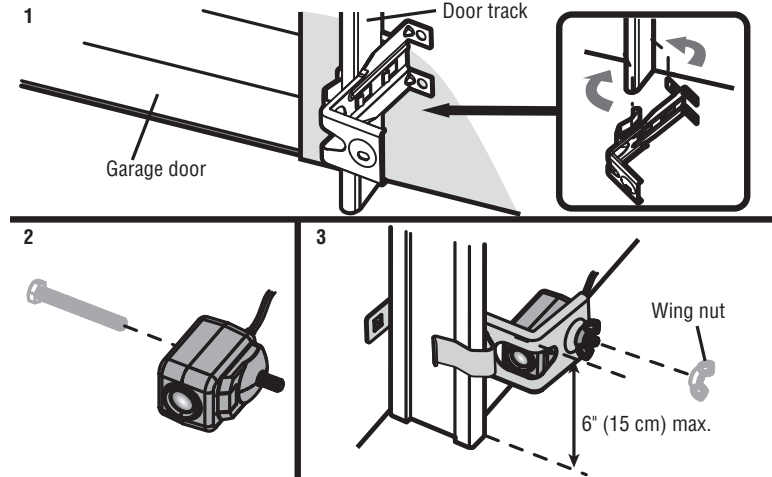


The safety reversing sensors are designed to clip onto the door track with the provided sensor brackets. If the door track will not support the sensor bracket a wall installation is recommended. The sensor beam should be NO HIGHER than 6" (15 cm) above the floor.

### DOOR TRACK INSTALLATION

1. Slide the curved arm/clip of the sensor bracket around the edge of the door track. Snap into place so that the sensor bracket is flush against the track.
2. Slide the hex screw through the sensor.
3. Attach the sensor to the bracket with the wing nut. Make sure the lens is not obstructed by the bracket.

Repeat the steps with the other sensor on the opposite door track. Both lenses must face each other.

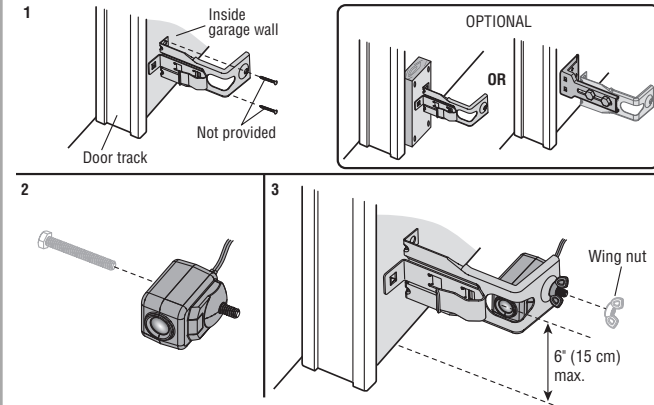


### WALL INSTALLATION

Make sure the brackets on each side are clear of the door track and have the same amount of clearance so the sensors will align correctly. If additional clearance is needed, use extension brackets 041A5281-1 or wood blocks.

1. Attach the sensor bracket against the wall with two lag screws (not provided).
2. Slide the hex screw through the sensor.
3. Attach the sensor to the bracket with the wing nut. Make sure the lens is not obstructed by the bracket.

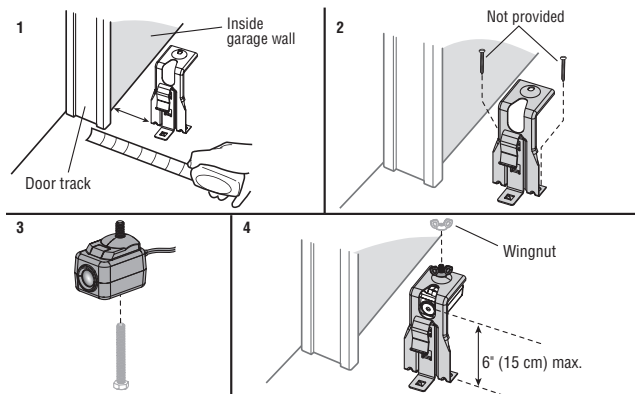
Repeat the steps with the other sensor on the opposite side of the garage door. Both lenses must face each other.



# Install the Protector System®

## FLOOR INSTALLATION

1. Measure the position of both sensor brackets so they will be the same distance from the wall and unobstructed.
  2. Attach the bracket to the floor with concrete anchors (not provided).
  3. Slide the hex screw through the sensor.
  4. Attach the sensor to the bracket with the wing nut. Make sure the lens is not obstructed by the bracket.
- Repeat the steps with the other sensor on the opposite side of the garage door. Both lenses must face each other.

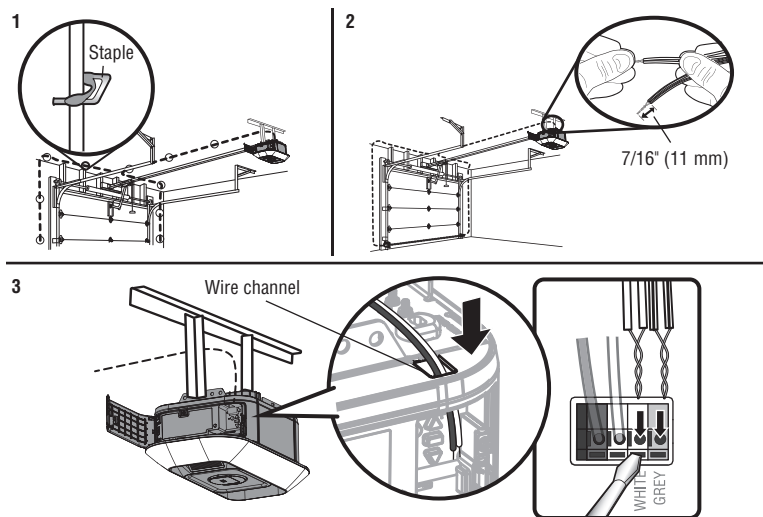


## 2 Wire the Safety Reversing Sensors

**PRE-WIRED INSTALLATIONS:** If your garage already has wires installed for the safety reversing sensors, see page 27.

### OPTION A - INSTALLATION WITHOUT PRE-WIRING

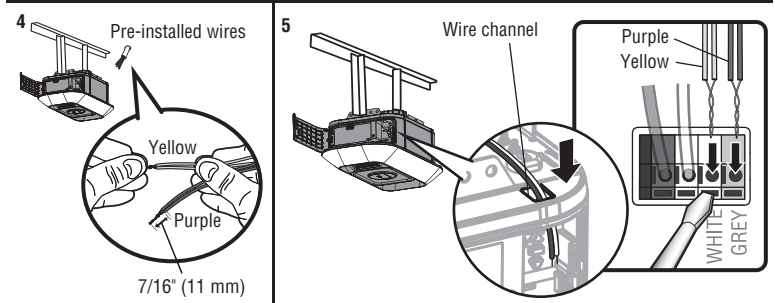
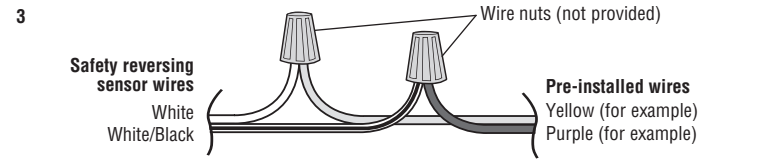
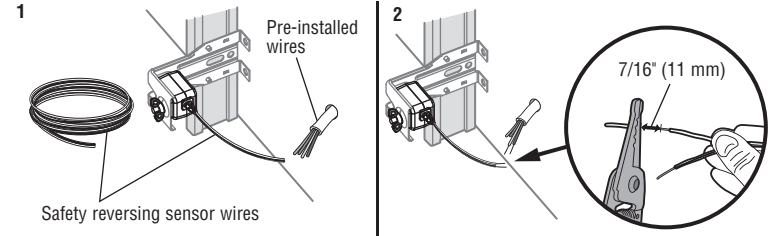
1. Run the wire from both sensors to the garage door opener. Attach with staples, but DO NOT puncture the wire.
2. Separate the sensor wires and strip insulation from each end. Twist the two white wires together. Then twist the two white/black wires together.
3. Using a screwdriver, push in the terminal tabs, and insert the white wires into the white terminal. Insert the white/black wires into the grey terminal.



# Install the Protector System®

## OPTION B - PRE-WIRED INSTALLATION

1. Cut the sensor wires, making sure there is enough wire to reach the pre-installed wires from the wall.
2. Separate the sensor wires and strip insulation from each end. Choose two of the pre-installed wires and strip insulation from each end. Choose the same color pre-installed wires for each sensor.
3. Connect the pre-installed wires to the sensor wires with wire nuts making sure the colors correspond for each sensor.
4. At the garage door opener, strip the end of the wires previously connected to the sensors. Twist the like-colored wires together.
5. Using a screwdriver, push in the terminal tabs, and insert the wire color connected to the sensor's white wire into the white terminal. Insert the other wire color connected to the sensor's white/black wire into the grey terminal.



# Power

## 1 Connect Power



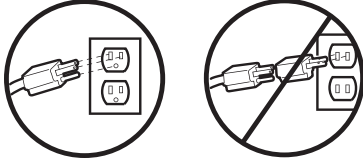
### WARNING

To prevent possible **SERIOUS INJURY** or **DEATH** from electrocution or fire:

- Be sure power is **NOT** connected to the opener, and disconnect power to circuit **BEFORE** removing cover to establish permanent wiring connection.
- Garage door installation and wiring **MUST** be in compliance with **ALL** local electrical and building codes.
- **NEVER** use an extension cord, 2-wire adapter, or change plug in **ANY** way to make it fit outlet. Be sure the opener is grounded.

**To avoid installation difficulties, do not activate the garage door opener at this time.**

To reduce the risk of electric shock, your garage door opener has a grounding type plug with a third grounding pin. This plug will only fit into a grounding type outlet. If the plug doesn't fit into your outlet, contact a qualified electrician to install the proper outlet.

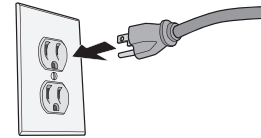


**THERE ARE TWO OPTIONS FOR CONNECTING POWER:**

### OPTION A - TYPICAL WIRING

1. Plug in the garage door opener into a grounded outlet.
2. **DO NOT** run garage door opener at this time.

#### TYPICAL WIRING

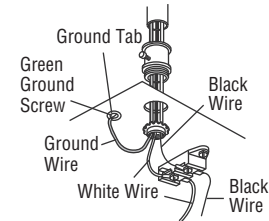


### OPTION B - PERMANENT WIRING

**If permanent wiring is required by your local code, refer to the following procedure. To make a permanent connection through the 7/8" hole in the top of the motor unit (according to local code):**

1. Remove the motor unit cover screws and set the cover aside.
2. Remove the attached 3-prong cord.
3. Connect the black (line) wire to the screw on the brass terminal; the white (neutral) wire to the screw on the silver terminal; and the ground wire to the green ground screw. **The opener must be grounded.**
4. Reinstall the cover.

#### PERMANENT WIRING

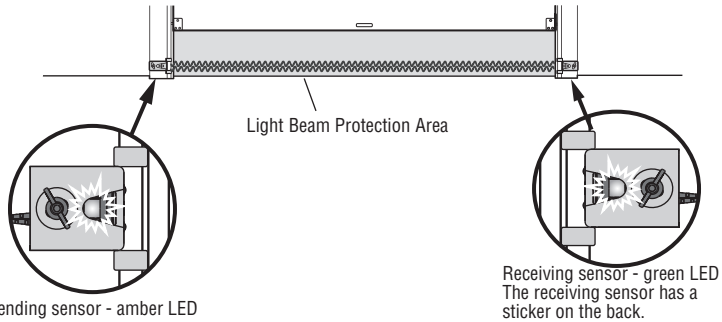


# Power

## 2 Align the Safety Reversing Sensors

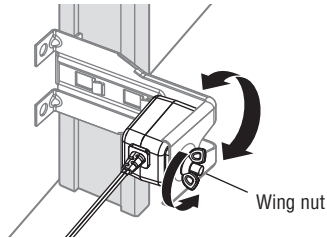
**IMPORTANT:** The safety reversing sensors **MUST** be connected and aligned correctly before the garage door opener will move in the down direction.

When the garage door opener has power, check the safety reversing sensors. If the sensors are aligned and wired correctly, both LEDs will glow steadily.



### To align the safety reversing sensors:

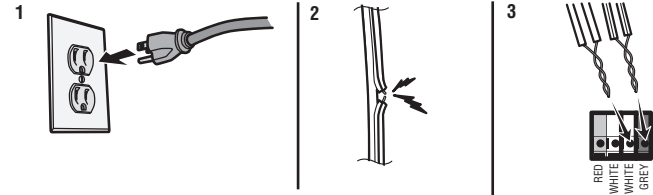
1. Loosen the wing nuts.
2. Adjust the sensors up or down until both LEDs glow steady indicating alignment.
3. Tighten the wing nut to secure the sensor.



## SAFETY SENSOR TROUBLESHOOTING

If either of the sensor LEDs are off, there is no power to the sensor:

1. Check that you have power to the garage door opener.
2. Check the sensor wire is not shorted or broken.
3. Check that the sensors are wired correctly; white wires to white terminal and white/black wires to grey terminal.



If the green receiving sensor LED is blinking, the sensors are obstructed or misaligned:

1. Check for obstructions in the sensor light beam.
2. Align the sensors.
3. If the receiving sensor (green LED) faces direct sunlight, switch the receiving sensor with the sending sensor and repeat 1 Install the Safety Reversing Sensors page 1 to assure proper operation.

## 3 Ensure the Control Panel is Wired Correctly

If the control panel has been installed and wired correctly, the command LED behind the push bar will blink.

# Adjustments

## 1 - Program the Travel

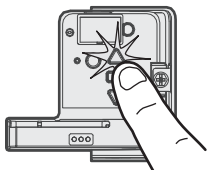
### **WARNING**

Without a properly installed safety reversal system, persons (particularly small children) could be **SERIOUSLY INJURED** or **KILLED** by a closing garage door.

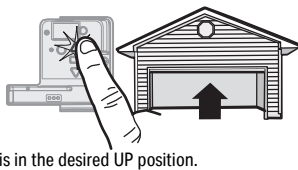
- Incorrect adjustment of garage door travel limits will interfere with proper operation of safety reversal system.
- After ANY adjustments are made, the safety reversal system **MUST** be tested. Door **MUST** reverse on contact with 1-1/2" (3.8 cm) high object (or 2x4 laid flat) on floor.

**Note:** While programming the travel, the UP and DOWN buttons can be used to move the door as needed. During the Automatic Force Setup, the door will automatically open and close.

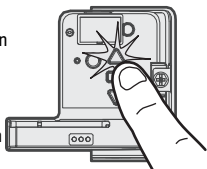
1 Press and hold the Adjustment Button until the UP Button begins to flash and/or a beep is heard. The Safety Reversing Sensors will be disconnected during the Program the Travel process.



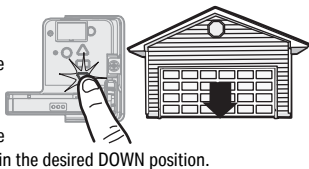
2 Press and hold the UP Button until the door is in the desired UP position.



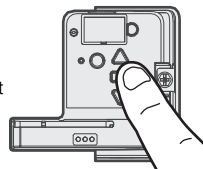
3 Once the door is in the desired UP position press and release the Adjustment Button. The garage door opener lights will flash twice and the DOWN Button will begin to flash.



4 Press and hold the DOWN button until the door is in the desired DOWN position.



5 Once the door is in the desired DOWN position press and release the Adjustment Button. The garage door opener lights will flash twice. Program the Travel is now complete. If the garage door opener lights flash 5 times, then programming has timed out and the Travel Limits have not been set. Please restart the Program the Travel process.



## 2 - Automatic Force Set Up

Once both the up and down positions have been manually set, the Safety Reversing Sensors will reconnect and become operational. Then, the opener will enter a force-sensing operation by automatically moving the door open and close. The garage door opener will sound an audible and visual alert before automatically opening and closing the door. The garage door opener will beep three times, confirming that the Automatic Force Setup completed successfully. Adjustment is complete.

If you hear one long beep after the door attempts to move, then the Automatic Force Set Up has not completed successfully. Please start over at step 1 of Program the Travel.



**NOTE:** If the travel/force setup process is not completed successfully any attempt to activate the opener from a remote/keyless entry or wall control will not work and the opener will flash the work lights 2 times.

# Adjustments

## 3 - Test the Safety Reversal System

### **WARNING**

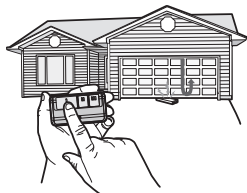
Without a properly installed safety reversal system, persons (particularly small children) could be **SERIOUSLY INJURED** or **KILLED** by a closing garage door.

- Safety reversal system **MUST** be tested every month.
- After **ANY** adjustments are made, the safety reversal system **MUST** be tested. Door **MUST** reverse on contact with 1-1/2" (3.8 cm) high object (or 2x4 laid flat) on the floor.

1 With the door fully open, place a 1-1/2 inch (3.8 cm) board (or a 2x4 laid flat) on the floor, centered under the garage door.



2 Press the remote control push button to close the door. The door **MUST** reverse when it makes contact with the board.



If the door stops but does not reverse:

1. Repeat Program the Travel (see Adjustment Step 1);
2. Repeat the Safety Reversal test.

If the test continues to fail, call a trained door systems technician.

## 4 - Test the Protector System®

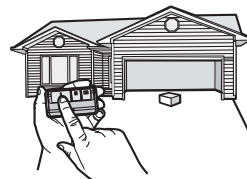
### **WARNING**

Without a properly installed safety reversing sensor, persons (particularly small children) could be **SERIOUSLY INJURED** or **KILLED** by a closing garage door.

1 Open the door. Place an obstruction in the path of the door.



2 Press the remote control push button to close the door. The door will not move more than an inch (2.5 cm).



The garage door opener will not close from a remote control if the LED in either safety reversing sensor is off (alerting you to the fact that the sensor is misaligned or obstructed).

If the garage door opener closes the door when the safety reversing sensor is obstructed (and the sensors are no more than 6 inches [15 cm] above the floor), call for a trained door systems technician.

# Battery Backup\*

## 1 Install the Battery

### WARNING

To reduce the risk of FIRE or INJURY to persons:

- Disconnect ALL electric and battery power BEFORE performing ANY service or maintenance.
- Use ONLY LiftMaster part # 485LM for replacement battery.
- DO NOT dispose of battery in fire. Battery may explode. Check with local codes for disposal instructions.

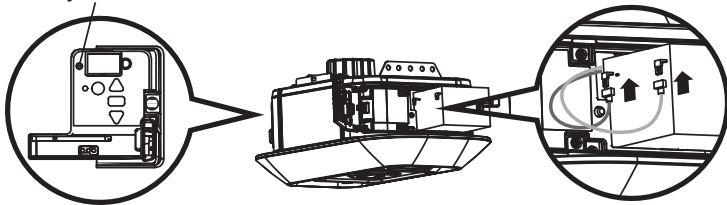
### CAUTION

ALWAYS wear protective gloves and eye protection when changing the battery or working around the battery compartment.

The automatic garage door lock will unlock when the garage door is opened, and will remain disabled until power is restored.\*

1. Unplug the garage door opener.
2. Open the control door panel.
3. Partially insert the battery into the battery compartment with the terminals as shown.
4. Connect red (+) and black (-) wires from the garage door opener to the corresponding terminals on the battery.
5. Fully insert the battery and close the control door panel.

### Battery Status LED

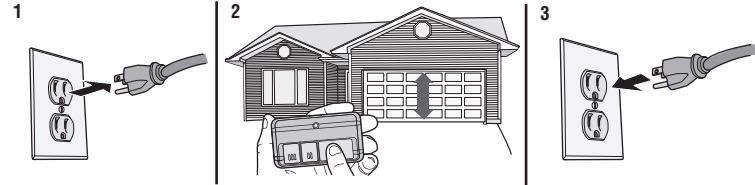


\* If applicable.

## 2 Test the Battery

Depending on the power level, the battery may need to charge before performing the test. The garage door opener must be unplugged to test the battery.

1. Unplug the garage door opener. The battery status LED will either glow solid orange indicating opener is operating on battery power or will flash indicating low battery power. **NOTE:** Make sure the garage door opener is unplugged.
2. Open and close the door using the remote control or control panel. **NOTE:** The garage door opener may run slower if the battery is not fully charged. The battery will take 24 hours to fully charge.
3. Open and close the door using the remote control or control panel. While the motor is on, the battery status LED will either glow solid orange indicating opener is operating on battery power or will flash indicating low battery power. **NOTE:** The garage door opener may run slower if the battery is not fully charged.
4. Plug in the garage door opener. Verify the battery status LED is flashing green, indicating the battery is charging.



## 3 Charge the Battery

The battery charges when the garage door opener is plugged into a 120 Vac electrical outlet that has power and requires 24 hours to fully charge. A fully charged battery supplies 12 Vdc to the garage door opener for up to 24 hours of normal operation during an electrical power outage. After the electrical power has been restored, the battery will recharge within 24 hours. The battery will last approximately 1 to 2 years with normal usage.

**NOTE:** When the garage door opener is in battery backup mode the garage door opener lights, Timer-to-Close, remote close, and camera features are unavailable.

*In battery backup mode, the Automatic Garage Door Lock will unlock when the garage door is opened, and will remain disabled until power is restored.\**

\* If applicable.



# Battery Backup\*

## Battery Status LED

### GREEN LED:

All systems are normal.

- A solid green LED light indicates the battery is fully charged.
- A flashing green LED indicates the battery is being charged.

### ORANGE LED:

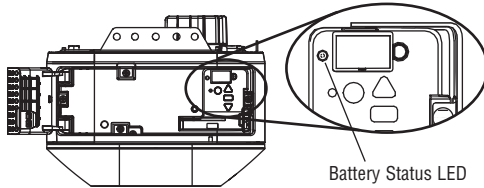
The garage door opener has lost power and is in battery backup mode.

- Solid orange LED while the motor is on, indicates the garage door opener is operating on battery power.
- A flashing orange LED while the motor is on, indicates the battery is low.
- The opener beeps every 2 seconds while operating on battery power.

### RED LED:

The battery needs to be replaced.

- A solid red LED with beep indicates the battery will no longer hold a charge. Purchase a replacement battery to allow your system to operate during a power outage.



\* If applicable.

# IMPORTANT SAFETY INSTRUCTIONS



## WARNING

### To reduce the risk of SEVERE INJURY or DEATH:

1. READ AND FOLLOW ALL WARNINGS AND INSTRUCTIONS.
2. ALWAYS keep remote controls out of reach of children. NEVER permit children to operate or play with garage control panel push buttons or remote controls.
3. ONLY activate garage door when it can be seen clearly, it is properly adjusted, and there are no obstructions to door travel.
4. ALWAYS keep garage door in sight and away from people and objects until completely closed. NO ONE SHOULD CROSS THE PATH OF THE MOVING DOOR.
5. NO ONE SHOULD GO UNDER A STOPPED, PARTIALLY OPENED DOOR.
6. If possible, use emergency release handle to disengage trolley ONLY when garage door is CLOSED. Use caution when using this release with the door open. Weak or broken springs or unbalanced door could result in an open door falling rapidly and/or unexpectedly and increasing the risk of SEVERE INJURY or DEATH.
7. NEVER use emergency release handle unless garage doorway is clear of persons and obstructions.
8. NEVER use handle to pull garage door open or closed. If rope knot becomes untied, you could fall.
9. After ANY adjustments are made, the safety reversal system MUST be tested.
10. Safety reversal system MUST be tested every month. Garage door MUST reverse on contact with 1-1/2" (3.8 cm) high object (or a 2x4 laid flat) on the floor. Failure to adjust the garage door opener properly increases the risk of SEVERE INJURY or DEATH.
11. ALWAYS KEEP GARAGE DOOR PROPERLY BALANCED (see page 4). An improperly balanced door may NOT reverse when required and could result in SEVERE INJURY or DEATH.
12. ALL repairs to cables, spring assemblies and other hardware, ALL of which are under EXTREME tension, MUST be made by a trained door systems technician.
13. To avoid interference with the proper operation of the garage door opener when using a welder in the garage, unplug garage door opener before operating welder.
- 14.
15. This operator system is equipped with an unattended operation feature. The door could move unexpectedly. NO ONE SHOULD CROSS THE PATH OF THE MOVING DOOR.
16. DO NOT install on a one-piece door if using devices or features providing unattended close. Unattended devices and features are to be used ONLY with sectional doors.

## 17. SAVE THESE INSTRUCTIONS.

# Operation

---

## Features

Your garage door opener is equipped with features to provide you with greater control over your garage door operation.

### ALERT2CLOSE

The Alert2Close feature provides a visual and an audible alert that an unattended door is closing.

### TIMER-TO-CLOSE (TTC)\*

The TTC feature automatically closes the door after a specified time period that can be adjusted using a TTC enabled control panel (Models 881LMW or 880LMW). Prior to and during the door closing the garage door opener lights will flash and the garage door opener will beep.

### MYQ

myQ® allows you to control your garage door opener from your mobile device from anywhere. myQ® technology uses a 900 Mhz signal to provide two way communication between the garage door opener and myQ® enabled accessories.

The garage door opener has an internal gateway that allows the garage door opener to communicate directly with a home Wi-Fi® network and access your myQ® account.

### THE PROTECTOR SYSTEM® (SAFETY REVERSING SENSORS)

When properly connected and aligned, the safety reversing sensors will detect an obstruction in the path of the infrared beam. If an obstruction breaks the infrared beam while the door is closing, the door will stop and reverse to full open position. If the door is fully open, and the safety reversing sensors are not installed, or are misaligned, the door will not close from a remote control. However, you can close the door if you hold the button on the control panel or keyless entry until the door is fully closed. The safety reversing sensors do not affect the opening cycle. For more information see page 24.

### LIGHTS

The garage door opener Integrated LED lights will turn on when the opener is initially plugged in; power is restored after interruption, or when the garage door opener is activated. The lights will turn off automatically after 4-1/2 minutes.

## USING YOUR GARAGE DOOR OPENER

When the door is closed and the garage door opener is activated the door will open. If the door makes contact with an obstruction while opening, the door will stop, opener beeps and lights flash 5 times. When the door is in any position other than closed and the garage door opener is activated, the door will close. If the garage door makes contact with an obstruction while closing, the door will reverse, opener beeps and lights flash 5 times. However, you can close the door if you hold the button on the control panel or keyless entry until the door is fully closed.

The safety reversing sensors do not affect the opening cycle. The safety reversing sensor must be connected and aligned correctly before the garage door opener will move in the down direction.

### BATTERY BACKUP\*

The battery backup system allows access in and out of your garage, even when the power is out. When the garage door opener is operating on battery power, the garage door opener will run slower, the light will not function, the Battery Status LED will glow solid orange, and a beep will sound approximately every 2 seconds.

### CAMERA\*

Live stream what is happening in your garage with your garage door opener's built-in camera. Just connect your opener to Wi-Fi and set up an account with the myQ® App. For more information, see page 37.

### AUTOMATIC GARAGE DOOR LOCK\*

Garage door opener models featuring the Security Shield are compatible with the LiftMaster Automatic Garage Door Lock (Model 841LM).

\*If applicable.

# Operation

## Connect With Your Smartphone

The Wi-Fi Garage Door Opener is compatible with up to 16 myQ® enabled accessories. Up to 10 devices can be paired to the Wi-Fi garage door opener's internal gateway. These devices can be controlled with the myQ® App. These devices include any combination of myQ® garage door openers, Wi-Fi garage door openers, myQ® light controls, myQ® gate operators or myQ® commercial door operators. A LiftMaster Internet Gateway (828LM) can be added if you need to control more than 10 devices using the myQ® App. Up to 6 devices can be paired to garage door opener itself (controlled by garage door opener through 900MHz). These devices include any combination of myQ® light controls or a garage door and gate monitor.

### YOU WILL NEED:

- Wi-Fi enabled smartphone, tablet or laptop
- Broadband Internet Connection
- Wi-Fi signal in the garage (**2.4 GHz, 802.11b/g/n required**), see page 3
- Password for your home network (router's main account, not guest network)
- myQ® serial number located on the garage door opener

## DOWNLOAD THE MYQ® APP TO SET UP AN ACCOUNT AND CONNECT

Open and close your door, get alerts and set schedules from anywhere. Connected smart garage door openers also receive software updates to ensure the opener has the latest operational features.

The garage door opener must run through a complete cycle before it will activate Wi-Fi® programming.

1. Download the myQ® App.
2. Set up an account and connect.

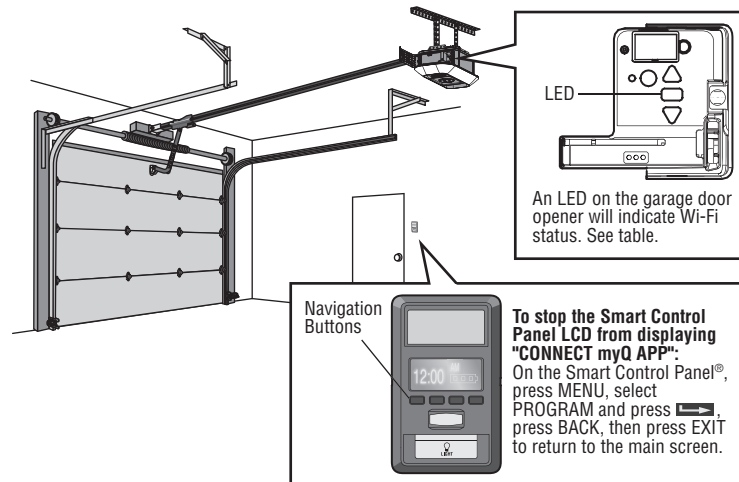
If you already have the myQ® App installed:

1. Check that your mobile device has the latest software.
2. Download the latest version of the myQ® App.



For more information on connecting your garage door opener, visit [support.LiftMaster.com](http://support.LiftMaster.com).

Google Play and the Google Play logo are trademarks of Google LLC.  
App Store and the Apple and App Store logos are trademarks of Apple Inc.



Wi-Fi Status	
LED	Definition
Blue	<b>Off</b> - Wi-Fi® is not turned on. <b>Blinking</b> - Garage door opener is in Wi-Fi® learn mode. <b>Solid</b> - Mobile device connected to the garage door opener.
Blue and Green	<b>Blinking</b> - Attempting to connect to router.
Green	<b>Blinking</b> - Attempting to connect to the Internet server. <b>Solid</b> - Wi-Fi® has been set up and garage door opener is connected to the Internet.

### NOTES:

*myQ® App control WILL NOT work if the garage door opener is operating on battery power.*

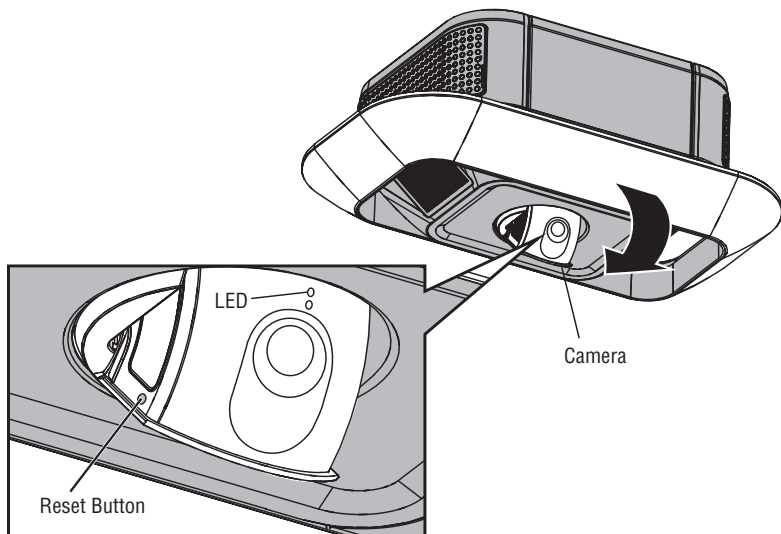
*To erase the Wi-Fi settings, see page 1.*

# Operation

## Set Up the Camera - Model 87504-267

1. Download the myQ® app and setup your account if you haven't already, see page 36.
2. Follow the instructions in the app to setup and use the camera.

The camera powers up when it is opened and powers down when closed.



Camera Status	
LED	Definition
Flashing Blue	Camera is attempting to connect to the mobile device.
Solid Blue	Camera is connected to the mobile device.
Flashing Blue and Green	Camera is attempting to connect to the router.
Flashing Green	Camera is connected to the router and attempting to connect to myQ® server.
Solid Green	Camera is connected and working normally.
Solid White	Camera is powering up.
Flashing Red	Camera is overheating.
Flashing Purple	Camera firmware is updating.

# Operation

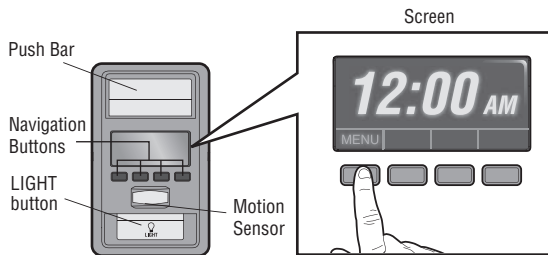
## Using the Control Panel

### SYNCHRONIZE THE CONTROL PANEL

To synchronize the control panel to the garage door opener, press the push bar until the garage door opener activates (it may take up to 3 presses). Test the control panel by pressing the push bar, each press of the push bar will activate the garage door opener.

**NOTE:** Your control panel may look different than the illustrations.

Up to 2 Smart Control Panels® or 4 of any other Security+ 2.0 control panels can be connected to the garage door opener.



### PUSH BAR

Press the push bar to open or close the door.

### NAVIGATION BUTTONS

Use the navigation buttons to make selections and program features.

### LIGHT BUTTON

Press the LIGHT button to turn the garage door opener lights on or off. When the lights are turned on they will stay on until the LIGHT button is pressed again, or until the garage door opener is activated. Once the garage door opener is activated the lights will turn off after the specified period of time (the factory setting is 4-1/2 minutes). The LIGHT button will not control the lights when the door is in motion.

### SCREEN\*

The screen will display the time and temperature until the menu button is pressed, and then it will display the menu options. If there is a problem with the garage door opener the screen will display the Diagnostic Code.

Refer to the Troubleshooting section.

**The following features are accessible through the screen using the navigation buttons:**

### LEARN A DEVICE

Program compatible remote controls, wireless keyless entries, Wi-Fi garage door openers, or myQ® accessories to the garage door opener.

### LOCK

The LOCK feature is designed to prevent activation of the garage door opener from remote controls while still allowing activation from the control panel and keyless entry. This feature is useful for added peace of mind when the home is empty (i.e. vacation).

### TIMER-TO-CLOSE (TTC)\*

DO NOT enable TTC if operating a one-piece door. TTC is to be used ONLY with sectional doors. Factory default is set to off. TTC can be set to automatically close your garage door from the fully open position after a specified period of time (1, 5, 10 minute intervals or a custom setting up to 99 minutes). The garage door opener will *Bleep* and the lights will *Flash* before closing the door. The screen on the control panel can display the status of the TTC. TTC WILL NOT work if the garage door opener is operating by battery power or if the safety reversing sensors are misaligned. This feature is NOT intended to be the primary method of closing the door. **A keyless entry should be installed in the event of an accidental lock out when using this feature.**

### AUTOMATIC LIGHT

#### Motion Sensor \*

Factory default is set to on. This feature automatically turns on the garage door opener lights when motion is sensed. The lights will come on for the set period of time, then shut off. If using the garage door opener light as a work light disable the motion sensor, otherwise the light will turn off automatically if you are beyond the range of the sensor.

### MAINTENANCE ALERT (MAS)

This feature assists the homeowner in ensuring the garage door opener system stays in good working condition. When the garage door opener needs to be serviced (approximately 4500 garage door opener cycles) the command (yellow) and service (red) LEDs will begin to alternately flash back and forth. The factory setting for the MAS feature is off and can be activated at time of installation. Contact your installing dealer for service.

\*If applicable

# Operation

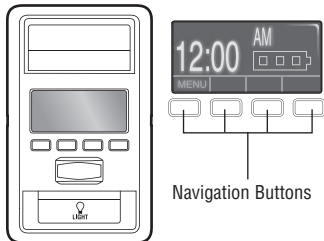
## Using the Smart Control Panel®\*

### SETUP

The features on the control panel can be programmed through a series of menus on the screen and the navigation buttons. Refer to the descriptions below.

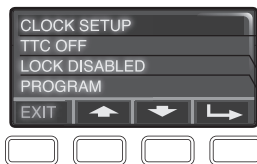
### SCREEN

The main screen displays the time, temperature, and current battery charge (if applicable).



### FEATURES

Press the navigation button below "MENU" to view the Features menu.



Set the time, choose 12 or 24 hour clock and show/hide clock. For sectional doors ONLY. Set the Timer-to-Close feature off/on and set the time interval before door closes. **NOTE: DO NOT enable TTC if operating a one-piece door. TTC is to be used ONLY with sectional doors.**

Enable/disable lock.

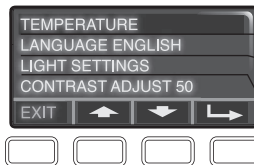
Set up Wi-Fi\*, add remote controls, myQ® devices, an extra remote button to control your garage door opener lights, or a keyless entry.

\* The garage door opener must run through a complete cycle before it will activate Wi-Fi® programming.

\*If applicable

### SETTINGS

Press the navigation button below the down arrow till you see TEMPERATURE to view the Settings menu.



Display the temperature in Fahrenheit or Celsius and show/hide the temperature.

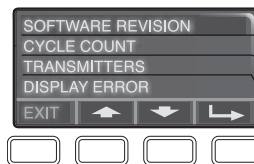
Select a language.

Set duration for garage door opener light to stay on after operation, selectable range of 1-1/2 to 4-1/2 minutes. Turn the Motion sensor off/on, and turn the entry light feature off/on.

Adjust the contrast of the screen.

### SERVICE

Press and hold the LIGHT button, then press the second navigation button to view the Service menu.



Displays software version information.

Turn the Maintenance Alert (MAS) on/off.

Displays the number of remote controls, myQ® devices, control panels, and keyless entries currently programmed to operate the garage door opener.

Displays any errors that have occurred.

## Remote Control

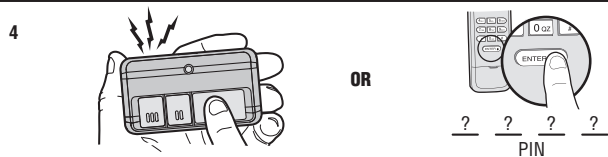
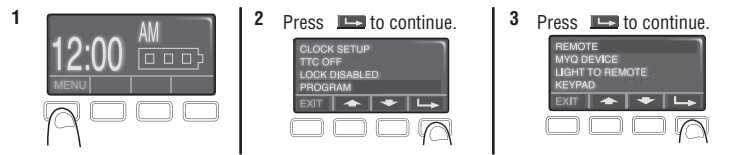
**Your remote control has been programmed at the factory to operate with your garage door opener.**

### TO ADD, REPROGRAM, OR CHANGE A REMOTE CONTROL/KEYLESS ENTRY PIN USING THE CONTROL PANEL

1. Press the navigation button below "MENU" to view the Features menu.
2. Use the navigation buttons to scroll to "PROGRAM".
3. Select "REMOTE" or "KEYPAD" to program from the program menu.
4. **Remote Control:** Press the button on the remote control that you wish to operate your garage door.  
**Keyless Entry:** Enter a 4-digit personal identification number (PIN) of your choice on the keyless entry keypad. Then press the ENTER button.

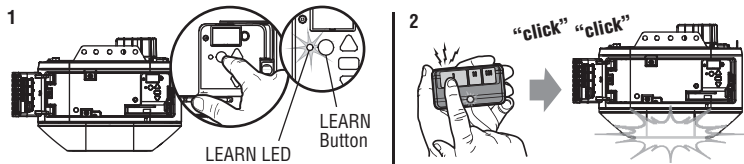
The garage door opener lights will flash (or two clicks will be heard) when the code has been programmed. Repeat the steps above for programming additional remote controls or keyless entry devices. If programming is unsuccessful, program the remote using the learn button.

# Operation



## TO ADD, REPROGRAM, OR CHANGE A REMOTE CONTROL USING THE LEARN BUTTON

1. Press and release the LEARN Button on the garage door opener.
2. Press and hold the button on the remote control that you wish to use. Release the button when the garage door opener lights blink or two clicks are heard.



## To Erase the Memory

### ERASE ALL REMOTE CONTROLS AND KEYLESS ENTRIES

1. Press and hold the LEARN button on garage door opener until the learn LED goes out (approximately 6 seconds). All remote control and keyless entry codes are now erased. Reprogram any accessory you wish to use.

### ERASE ALL DEVICES INCLUDING myQ® ENABLED ACCESSORIES

1. Press and hold the LEARN button on garage door opener until the learn LED goes out (approximately 6 seconds).

2. Immediately press and hold the LEARN button again until the learn LED goes out. All codes are now erased. Reprogram any accessory you wish to use.

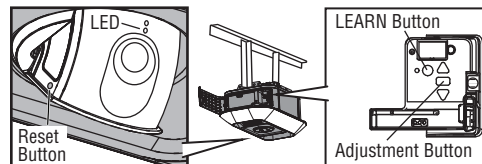
### ERASE THE WI-FI® NETWORK FROM THE GARAGE DOOR OPENER

1. Press and hold the black adjustment button on the garage door opener until 3 beeps are heard (Approximately 6 seconds).

### ERASE THE CAMERA SETTINGS

1. Press and hold the reset button on the side of the camera for 10 seconds. The LED light will turn off, then flash red.

You will need to set up your camera again after resetting it.





# Operation

## To Open the Door Manually

### **WARNING**

To prevent possible **SERIOUS INJURY** or **DEATH** from a falling garage door:

- If possible, use emergency release handle to disengage trolley **ONLY** when garage door is **CLOSED**. Weak or broken springs or unbalanced door could result in an open door falling rapidly and/or unexpectedly.
- **NEVER** use emergency release handle unless garage doorway is clear of persons and obstructions.
- **NEVER** use handle to pull door open or closed. If rope knot becomes untied, you could fall.

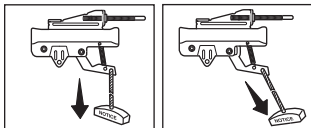
### **DISCONNECT THE TROLLEY**

1. The door should be fully closed if possible.
2. Pull down on the emergency release handle.

### **RECONNECT THE TROLLEY**

The lockout feature prevents the trolley from reconnecting automatically.

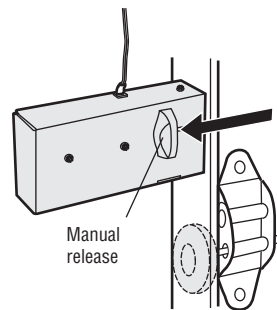
1. Pull the emergency release handle down and back (toward the opener). The door can then be raised and lowered manually as often as necessary.
2. To disengage the lockout feature, pull the handle straight down. The trolley will reconnect on the next UP or DOWN operation, either manually or by using the control panel or remote control.



## **TO MANUALLY DISENGAGE AUTOMATIC GARAGE DOOR LOCK (MODEL 841LM)\***

1. The door should be fully closed if possible.
2. Disengage the automatic garage door lock by sliding the manual release to the open position.
3. Pull the emergency release handle down and back (toward the garage door opener). The garage door can then be raised and lowered manually as necessary.
4. To reconnect the trolley, pull the emergency release handle straight down. The trolley will reconnect on the next UP or DOWN operation.

**NOTE:** *The automatic garage door lock will re-engage when garage door opener operation resumes.*



\* If applicable.

# Maintenance

## Maintenance Schedule

### EVERY MONTH

- Manually operate door. If it is unbalanced or binding, call a trained door systems technician.
- Check to be sure door opens and closes fully. Adjust if necessary, see page 30.
- Test the safety reversal system. Adjust if necessary, see page 31.

### EVERY YEAR

- Oil door rollers, bearings and hinges. The garage door opener does not require additional lubrication. Do not grease the door tracks.
- Test the battery and consider replacing the battery to ensure the garage door opener will operate during an electrical power outage, see page 32 to test the battery backup.

### EVERY TWO TO THREE YEARS

- Use a rag to wipe away the existing grease from the garage door opener rail. Reapply a small layer of white lithium grease to the top and underside of the rail surface where the trolley slides.

NOTICE: This device complies with part 15 of the FCC rules and Innovation, Science and Economic Development Canada license-exempt RSSs. Operation is subject to the following two conditions: (1) this device may not cause harmful interference, and (2) this device must accept any interference received, including interference that may cause undesired operation. Any changes or modifications not expressly approved by the party responsible for compliance could void the user's authority to operate the equipment.

This device has been tested and found to comply with the limits for a Class B digital device, pursuant to part 15 of the FCC rules and Industry Canada ICES standard. These limits are designed to provide reasonable protection against harmful interference in a residential installation. This equipment generates, uses and can radiate radio frequency energy and, if not installed and used in accordance with the instructions, may cause harmful interference to radio communications. However, there is no guarantee that interference will not occur in a particular installation. If this equipment does cause harmful interference to radio or television reception, which can be determined by turning the equipment off and on, the user is encouraged to try to correct the interference by one or more of the following measures:

- Reorient or relocate the receiving antenna.
- Increase the separation between the equipment and receiver.
- Connect the equipment into an outlet on a circuit different from that to which the receiver is connected.
- Consult the dealer or an experienced radio/TV technician for help.

## The Remote Control Battery

### **WARNING**

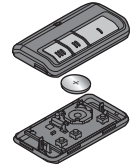
To prevent possible **SERIOUS INJURY** or **DEATH**:

- NEVER allow small children near batteries.
- If battery is swallowed, immediately notify doctor.

To reduce risk of fire, explosion or chemical burn:

- Replace **ONLY** with 3V CR2032 coin batteries.
- **DO NOT** recharge, disassemble, heat above 212°F (100°C) or incinerate.

To replace the battery, pry open the case in the middle, then at each side with the visor clip. Insert replacement battery positive side up (+). Replace the batteries with only 3V CR2032 coin cell batteries. Dispose of old batteries properly.



# Troubleshooting

## Diagnostic Chart

Your garage door opener is programmed with self-diagnostic capabilities. The UP and DOWN arrows on the garage door opener flash the diagnostic codes.

DIAGNOSTIC CODE		SYMPTOM	SOLUTION
Up Arrow Flash (es)	Down Arrow Flash (es)		
1	1	The garage door opener will not close.	Safety reversing sensors are not installed, connected, or wires may be cut. Inspect sensor wires for a disconnected or cut wire.
1	2	The garage door opener will not close.	There is a short or reversed wire for the safety reversing sensors. Inspect safety sensor wire at all staple and connection points, replace wire or correct as needed.
1	3	The control panel will not function.	The wires for the control panel are shorted or the control panel is faulty. Inspect control panel wires at all staple and connection points, replace wire or correct as needed.
1	4	The garage door opener will not close.	Safety reversing sensors are misaligned or were momentarily obstructed. Realign both sensors until both LEDs are glowing steady. Make sure nothing is hanging or mounted on the door that would interrupt the sensor's path while closing.
1	5	Door moves 6-8" (15-20 cm) stops or reverses.	Manually open and close the door. Check for binding or obstructions, such as a broken spring or door lock, correct as needed. Check wiring connections at travel module and at the logic board. Replace travel module if necessary.
		No movement, only a single click.	Manually open and close the door. Check for binding or obstructions, such as a broken spring or door lock, correct as needed. Replace logic board if necessary.
		Opener hums for 1-2 seconds no movement.	Manually open and close the door. Check for binding or obstructions, such as a broken spring or door lock, correct as needed. Replace motor if necessary.
1	6	Door coasts after it has come to a complete stop.	Program travel to coasting position or have door balanced by a trained door systems technician.
2	1-5	No movement, or sound.	Replace logic board.
3	2	Unable to set the travel or retain position.	Check travel module for proper assembly, replace if necessary.
3	3	The battery status LED is constantly flashing green.	Battery backup charging circuit error, replace the logic board.

# Troubleshooting

DIAGNOSTIC CODE		SYMPTOM	SOLUTION
Up Arrow Flash (es)	Down Arrow Flash (es)		
4	1-4	Door is moving, stops or reverses. Opener beeps and lights flash.	Manually open and close the door. Check for binding or obstructions, such as a broken spring or door lock, correct as needed. If the door is binding or sticking, contact a trained door systems technician. If door is not binding or sticking attempt to reprogram travel (refer to 31).
4	5	Opener runs approximately 6-8" (15-20 cm), stops and reverses.	Communication error to travel module. Check travel module connections, replace travel module if necessary.
4	6	The garage door opener will not close.	Safety reversing sensors are misaligned or were momentarily obstructed. Realign both sensors to ensure both LEDs are steady and not flickering. Make sure nothing is hanging or mounted on the door that would interrupt the sensor's path while closing.

## The garage door opener will NOT enter Wi-Fi® learn mode:

- After the initial installation of the garage door opener, the garage door opener must complete a full cycle (open and closed) before the Wi-Fi® learn mode can be activated.
- If there has been a recent power outage, the garage door opener must complete a full cycle before the Wi-Fi® LEARN MODE can be activated.

See 36 to activate Wi-Fi® learn mode.

## Cannot connect garage door opener to home Wi-Fi® network:

- Ensure the myQ® Serial number was entered correctly and try again. The myQ® characters are between A-F and 0-9 only.
- Weak Wi-Fi® signal in the garage. Ensure the Wi-Fi® signal is reaching the garage, see 4 or visit [support.chamberlaingroup.com](http://support.chamberlaingroup.com) for more information.

## My door will not close:

The safety reversing sensor must be connected and aligned correctly before the garage door opener will move in the down direction.

- Check for binding or obstructions anywhere along the track to garage floor.
- The safety reversing sensor must be connected and aligned correctly before the garage door opener will move in the down direction.
  - Verify the safety reversing sensors are properly installed, aligned and free of any obstructions.
  - If the receiving sensor (green LED) faces direct sunlight, switch the receiving sensor with the sending sensor so the receiving sensor is not in direct sunlight.

## LEDs are not working:

Check wiring on both Integrated LED Light Modules to connector. If loose, then reconnect. If the lights do not turn on, a new Integrated LED Light Module may be needed. Connect customer service or certified door professional to determine if a new Integrated LED Light Module is needed.

## My neighbor's remote control opens my garage door:

Erase the memory from your garage door opener and reprogram the remote control(s).

## My vehicle's Homelink® is not programming to my garage door opener:

Depending on the make, model, and year of your vehicle an external adapter may be required. Visit [www.homelink.com](http://www.homelink.com) for additional information.

## My camera won't connect to the router:

- Move your router closer to the garage door opener to minimize interference from walls and other objects.
- Buy a Wi-Fi® range extender.

For issues with the camera, press and hold the reset button on the camera for 10 seconds. Then, follow the myQ® app instructions to set up the camera.

**To troubleshoot the optional automatic garage door lock model 841LM, see the instructions provided with it.**

# Accessories

878MAX



## MAX Wireless Keyless Entry:

For use outside of the home to enable access to the garage using a 4-digit PIN. Works with ALL LiftMaster openers from 1993-present.

893MAX



## 3-Button MAX Remote Control:

Compatible with LiftMaster garage door openers manufactured since 1993. Includes visor clip.

880LMW



## Smart Control Panel:

Displays temperature, time and system diagnostics; includes a push bar to open and close the door and a lock feature for extra security. Security+ 2.0 and Wi-Fi compatible.

819LMB



## myQ Home Bridge:

Add Apple HomeKit™ compatibility to your myQ enabled garage door opener. Use Siri to open, close and check the status of your door.

Apple is a trademark of Apple Inc., registered in the U.S. and other countries. HomeKit is a trademark of Apple Inc.

891LM



Compatible with LiftMaster garage door openers manufactured since 1993. Includes visor clip.

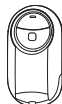
882LMW



## Multi-Function Control Panel:

Security+ 2.0 and Wi-Fi compatible.

374UT



## Mini Universal Remote Control:

The Mini Universal Remote Control can be programmed to activate up to two products, such as a garage door opener, myQ light controls, gate operator, or commercial door operator.

380UT



## Universal Remote Control:

The Universal Remote Control can be programmed to activate up to two products, such as a garage door opener, gate operator, or commercial door operator.

841LM



## Automatic Garage Door Lock:

Compatible with 87802. Provides added security by automatically locking garage door travel at the garage door track.

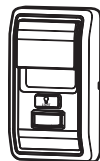
881LMW



## Motion Detecting Control Panel with Timer-to-Close Control:

Multi-function control panel with motion sensor that automatically turns opener lights on when it detects a person entering the garage. Security+ 2.0 and Wi-Fi compatible.

886LMW



## Motion Detecting Control Panel:

Multi-function control panel with motion sensor that automatically turns opener lights on when it detects a person entering the garage. Security+ 2.0 and Wi-Fi compatible.

# Warranty

LiftMaster® (“Seller”) warrants to the first retail purchaser of this product, for the residence in which this product is originally installed, that it is free from defects in materials and/or workmanship for a specific period of time as defined below (the “Warranty Period”). The warranty period commences from the date of purchase.

WARRANTY PERIOD							
Models	Parts	Motor	Accessories	Belt	Battery Backup	Integrated LED	Camera
84501	1 year	Lifetime	1 year	Lifetime	N/A	1 year	N/A
84602	1 year	Lifetime	1 year	N/A	1 year	1 year	N/A
87802	5 years	Lifetime	1 year	Lifetime	1 year	5 years	N/A
87504-267	5 years	Lifetime	1 year	Lifetime	1 year	5 years	1 year

The proper operation of this product is dependent on your compliance with the instructions regarding installation, operation, and maintenance and testing. Failure to comply strictly with those instructions will void this limited warranty in its entirety.

If, during the limited warranty period, this product appears to contain a defect covered by this limited warranty, visit [LiftMaster.com](http://LiftMaster.com), before dismantling this product. You will be advised of disassembly and shipping instructions. Then send the product or component, pre-paid and insured, as directed to our service center for warranty repair. Please include a brief description of the problem and a dated proof-of-purchase receipt with any product returned for warranty repair. Products returned to Seller for warranty repair, which upon receipt by Seller are confirmed to be defective and covered by this limited warranty, will be repaired or replaced (at Seller's sole option) at no cost to you and returned pre-paid. Defective parts will be repaired or replaced with new or factory-rebuilt parts at Seller's sole option. [You are responsible for any costs incurred in removing and/or reinstalling the product or any component].

**ALL IMPLIED WARRANTIES FOR THE PRODUCT, INCLUDING BUT NOT LIMITED TO ANY IMPLIED WARRANTIES OF MERCHANTABILITY AND FITNESS FOR A PARTICULAR PURPOSE, ARE LIMITED IN DURATION TO THE APPLICABLE LIMITED WARRANTY PERIOD SET FORTH ABOVE FOR THE RELATED COMPONENT(S), AND NO IMPLIED WARRANTIES WILL EXIST OR APPLY AFTER SUCH PERIOD. Some States and Provinces do not allow limitations on how long an implied warranty lasts, so the above limitation may not apply to you. THIS LIMITED WARRANTY DOES NOT COVER NON-DEFECT DAMAGE, DAMAGE CAUSED BY IMPROPER INSTALLATION, OPERATION OR CARE (INCLUDING, BUT NOT LIMITED TO ABUSE, MISUSE, FAILURE TO PROVIDE REASONABLE AND NECESSARY MAINTENANCE, UNAUTHORIZED REPAIRS OR ANY ALTERATIONS TO THIS PRODUCT), LABOR CHARGES FOR REINSTALLING A REPAIRED OR REPLACED UNIT, REPLACEMENT OF CONSUMABLE ITEMS (E.G., BATTERIES IN REMOTE CONTROL TRANSMITTERS), OR UNITS INSTALLED FOR NON-RESIDENTIAL USE. THIS LIMITED WARRANTY DOES NOT COVER ANY PROBLEMS WITH, OR RELATING TO, THE GARAGE DOOR OR GARAGE DOOR HARDWARE, INCLUDING BUT NOT LIMITED TO THE DOOR SPRINGS, DOOR ROLLERS, DOOR ALIGNMENT OR HINGES. THIS LIMITED WARRANTY ALSO DOES NOT COVER ANY PROBLEMS CAUSED BY INTERFERENCE. UNDER NO CIRCUMSTANCES SHALL SELLER BE LIABLE FOR CONSEQUENTIAL, INCIDENTAL OR SPECIAL DAMAGES ARISING IN CONNECTION WITH USE, OR INABILITY TO USE, THIS PRODUCT. IN NO EVENT SHALL SELLER'S LIABILITY FOR BREACH OF WARRANTY, BREACH OF CONTRACT, NEGLIGENCE OR STRICT LIABILITY EXCEED THE COST OF THE PRODUCT COVERED HEREBY. NO PERSON IS AUTHORIZED TO ASSUME FOR US ANY OTHER LIABILITY IN CONNECTION WITH THE SALE OF THIS PRODUCT.**

Some states and provinces do not allow the exclusion or limitation of consequential, incidental or special damages, so the above limitation or exclusion may not apply to you. This limited warranty gives you specific legal rights, and you may also have other rights, which vary from state to state and province to province.

# Automatic Garage Door Opener Safety & Maintenance Guide

## Garage Door Opener Safety – An Automatic Decision

A garage door is the largest moving object in the home. An improperly adjusted garage door and opener can exert deadly force when the door closes – which could lead to entrapment of children or adults and subsequent injury or death.

Proper installation, operation, maintenance, and testing of the garage door and automatic opener are necessary to provide a safe, trouble-free system. Careless operation or allowing children to play with or use garage door opener controls are also dangerous situations that can lead to tragic results. A few simple precautions can protect your family and friends from potential harm. Please review the safety and maintenance tips in this guide carefully and keep it for reference. Check the operation of your garage door and opener to ensure they function in a safe and trouble-free manner. Be sure to read all Important Safety Information found in your garage door opener's manual as it provides more details and safety considerations than can be supplied with this guide.

## Garage Door Openers are Not Toys

Discuss garage door and opener safety with your children. Explain the danger of being trapped under the door.



**Stay away from a moving door.**



**The wall-mounted push button should be out of reach of children, at least 5 feet from the nearest standing surface and away from all moving parts. Mount and use the button where you can clearly see the closing garage door.**



**Keep transmitters and remote controls out of reach of children.**  
Do not let children play with or use transmitters or other remote control devices.



**Keep the door in sight until it completely closes** when using the wall-mounted push button or transmitter.

# Routine Maintenance Can Prevent Tragedies

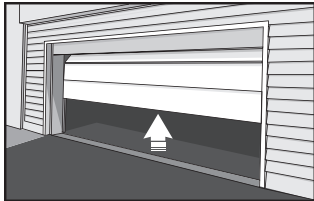
Make monthly inspection and testing of your garage door and opener system a part of your regular routine. Review your owner's manual for both the door and door opener. If you don't have the owner's manuals, contact the manufacturer(s) and request a copy for your specific model(s). Look for the opener model number on the back of the power unit.

 **WARNING – SPRINGS ARE UNDER HIGH TENSION. ONLY QUALIFIED INDIVIDUALS SHOULD ADJUST THEM.**



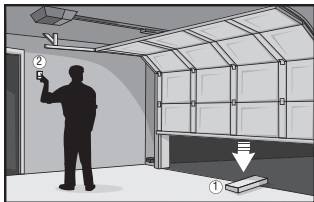
## Visually check the door and installation:

- Starting with the door in the closed position, use the manual disconnect on the opener to disconnect the door.
- Look for signs of wear or damage on hinges, rollers, springs, and door panels.
- These parts may require periodic lubrication. Check the owner's manual for suggested maintenance.
- If any signs of damage are evident, contact a trained door systems technician for assistance.
- Verify the photoeye height is no higher than 6" from the garage floor.



## Test the door for proper operation:

- Open and close the door manually using handles or suitable gripping points.
- The door should move freely and without difficulty.
- **The door should balance and stay partially open 3–4 feet above the floor.**
- If you detect any signs of improper operation, contact a trained door systems technician for assistance.



## Test the opener safety features:

- Reconnect the opener to the door using the manual disconnect and open the door.
- Place a 2x4 board flat in the path of the door (1) and try to close it (2). The door should stop when it comes in contact with the 2x4 and then reverse direction.
- Block the photoelectric sensor by waving an object in front of the sensor and attempt to close the door. The door should not close unless the wall-mounted push button is manually held during operation.
- If the opener does not perform as described, contact a trained door systems technician for assistance.

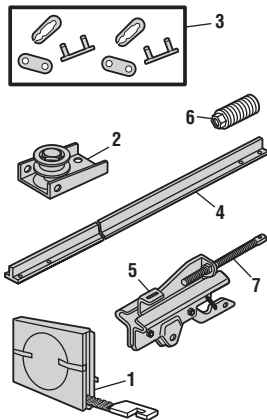




# Repair Parts

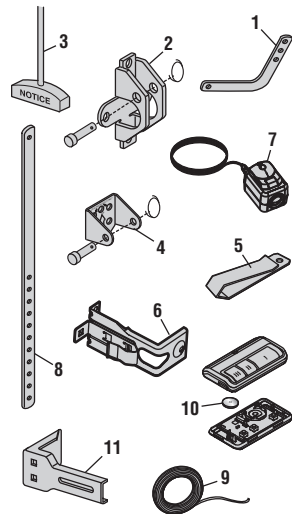
## Rail Assembly Parts 87504-267

Description	Part Number
1 Belt - for 7 foot door Belt - for 8 foot door Belt - for 10 foot door	041A5434-11A 041A5434-13A 041A5434-14A
2 Belt Pulley Bracket	041B5424
3 Master link	004A1008
4 One-Piece Rail 7 feet (2.1 m) One-Piece Rail 8 feet (2.4 m) One-Piece Rail 10 feet (3 m)	2777BD 2778BD 2770BD
5 Trolley Assembly Includes: Master Link (2), Clevis Pin (1), Ring (1), Belt Clip (1), Threaded Shaft (1), and Tensioner Assembly (1)	041B3869-3A
6 Tensioner Assembly	041B4103
7 Trolley Threaded Shaft	041A6689



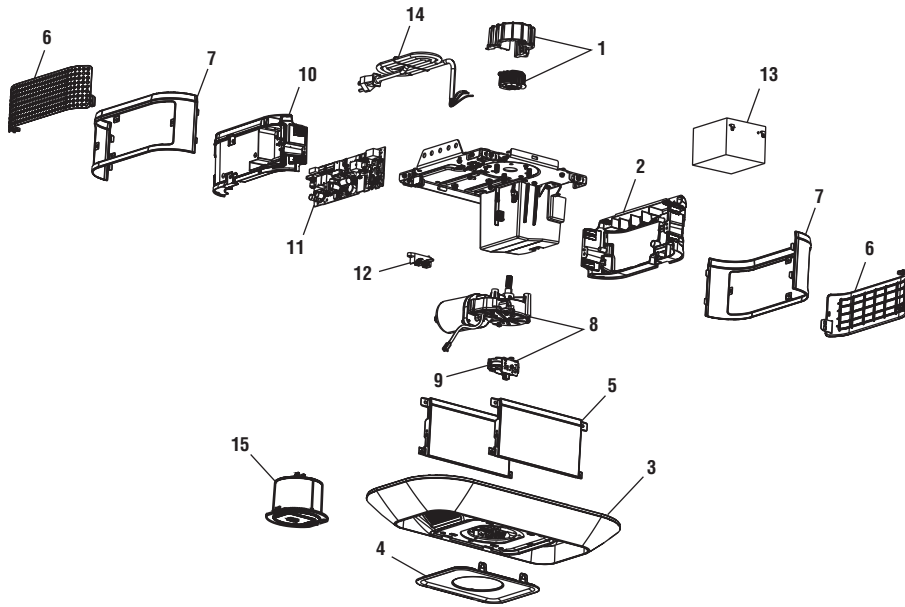
## Installation Parts

Description	Part Number
1 Curved door arm	041B0035B
2 Door bracket with clevis pin and fastener	041A5047-1
3 Emergency release rope and handle	041A2828
4 Header bracket with clevis pin and fastener	041A4353-1
5 Remote control visor clip	K029B0137
6 Safety sensor bracket	041-0399-000
7 Safety sensor kit with receiving and sending sensors with 3 feet (.9 m) 2-conductor wire	041-0136
8 Straight door arm	4178B0034B
9 White and red/white wire	041B4494-1
10 3V CR2032 lithium battery	K010A0020
11 Extension bracket (optional)	041A5281-1
<b>Not Shown</b>	
Installation hardware bag	041A2770-17
User's Guide	114A5288
Owner's Manual	114-5710-000 (Rev. B)



# Repair Parts

## Garage Door Opener Parts Model 87504-267

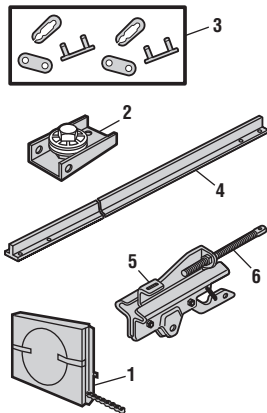


Description	Part Number
1 Sprocket and Sprocket Cover with Screws	041C0589-2
2 End panel	041-0185-000
3 Integrated LED Light Module	041-0186-000
4 Badge with camera	041-0195-000
5 Main Enclosure Cover	041-0190-000
6 Control door panel	041-0192-000
7 End panel cover	041-0193-000
8 Motor with travel module	041-0236-000
9 Travel Module	041D8071-4
10 Logic board end panel	041-0183-000
11 Logic board	050DCTB
12 Terminal block	041A3150
13 Backup battery	485LM
14 Line cord	041B4245
15 Camera	041-0041
<b>Not Shown</b>	
Wire harness	041-0180-000
Transformer	041D0277-1

# Repair Parts

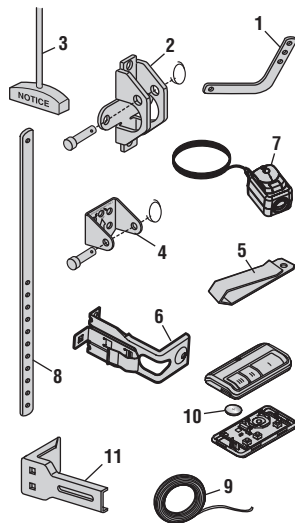
## Rail Assembly Parts Models 87802

Description	Part Number
1 Chain - for 7 foot door	041D3484
Chain - for 8 foot door	041D3483
Chain - for 10 foot door	041D3485
Chain - for 12 foot door	19-5812
Chain - for 14 foot door	19-5814
2 Chain Pulley Bracket	041A2780
3 Master link	004A1008
4 One - piece rail 7 feet	3707CH
One - piece rail 8 feet	3708CH
One - piece rail 10 feet	3710CH
One - piece rail 12 feet	3712RV
One - piece rail 14 feet	3714RV
5 Trolley Assembly Includes: Master Link (2), Clevis Pin (1), Ring (1), Belt Clip (1), Threaded Shaft (1), and Tensioner Assembly (1)	041A3489
6 Chain Tensioner	041B4103-1
7 Trolley Threaded Shaft	K109B0018



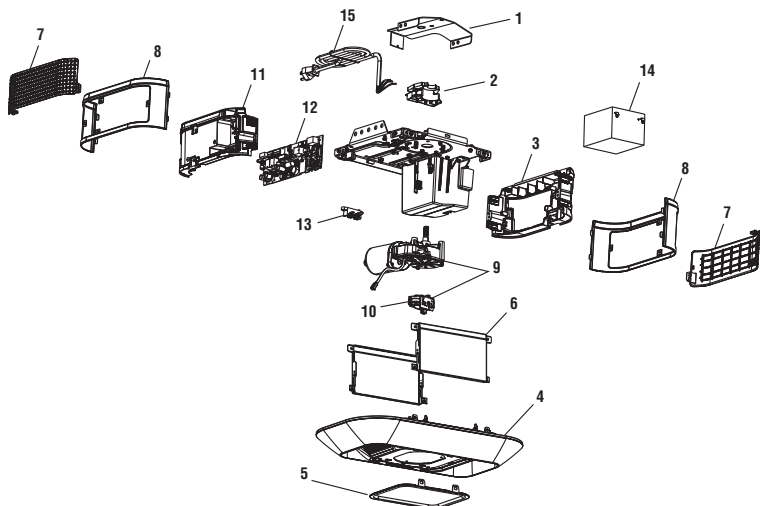
## Installation Parts

Description	Part Number
1 Curved door arm	041B0035B
2 Door bracket with clevis pin and fastener	041A5047-1
3 Emergency release rope and handle	041A2828
4 Header bracket with clevis pin and fastener	041A4353-1
5 Remote control visor clip	K029B0137
6 Safety sensor bracket	041-0399-000
7 Safety sensor kit with receiving and sending sensors with 3 feet (.9 m) 2-conductor wire	041-0136
8 Straight door arm	4178B0034B
9 White and red/white wire	041B4494-1
10 3V CR2032 lithium battery	K010A0020
11 Extension bracket (optional)	041A5281-1
<b>Not Shown</b>	
Owner's manual	114-5518-000
Multi-function Control Panel	880LMW
Remote Control	893LM
Installation hardware bag	041A2770-17



# Repair Parts

## Garage Door Opener Parts Model 87802

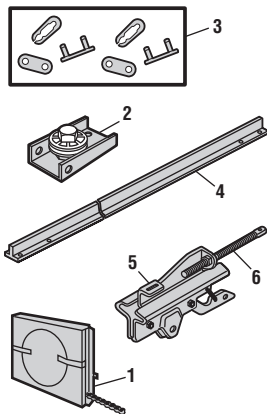


Description	Part Number
1 Chassis Support Bracket	041C5069
2 Chain Spreader & Sprocket	041-0035
3 End Panel, Battery Acces	041-0185-000
4 Light Pod Kit, No Camera	041-0187-000
5 Badge	041-0196-000
6 Main Enclosure Cover	041-0190-000
7 Control Door Panel	041-0192-000
8 End panel cover	041-0193-000
9 Motor with travel module	041-0236-000
10 Travel Module	041D8071-4
11 Logic board end panel	041-0182-000
12 Logic board	050DCTBLK
13 Terminal Block	041A3150
14 Backup battery	485LM
15 Line cord	041B4245
<b>Not Shown</b>	
Wire harness	041-0180-000
Transformer	041D0277-1

# Repair Parts

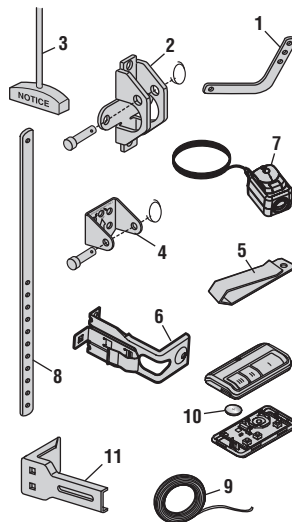
## Rail Assembly Parts 84602

Description	Part Number
1 Chain - for 7 foot door Chain - for 8 foot door Chain - for 10 foot door	041D3484 041D3483 041D3485
2 Chain Pulley Bracket	041A4813
3 Master link	004A1008
4 One-Piece Rail 7 feet (2.1 m) One-Piece Rail 8 feet (2.4 m) One-Piece Rail 10 feet (3 m)	1707LM 1708LM 1710LM
5 Trolley Assembly Includes: Master Link (2), Clevis Pin (1), Ring (1), Belt Clip (1), Threaded Shaft (1), and Tensioner Assembly (1)	041A3489
6 Tensioner Assembly	041B4103
7 Trolley Threaded Shaft	041A6689



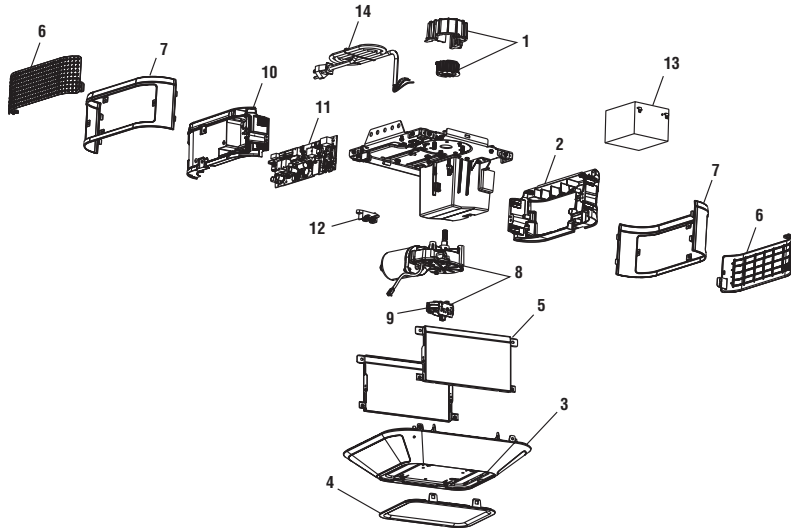
## Installation Parts

Description	Part Number
1 Curved door arm	041B0035B
2 Door bracket with clevis pin and fastener	041A5047-1
3 Emergency release rope and handle	041A2828
4 Header bracket with clevis pin and fastener	041A4353-1
5 Remote control visor clip	K029B0137
6 Safety sensor bracket	041-0399-000
7 Safety sensor kit with receiving and sending sensors with 3 feet (.9 m) 2-conductor wire	041-0136
8 Straight door arm	4178B0034B
9 White and red/white wire	041B4494-1
10 3V CR2032 lithium battery	K010A0020
11 Extension bracket (optional)	041A5281-1
<b>Not Shown</b>	
Owner's manual	114-5518-000
Multi-function Control Panel	886LMW
Remote Control	893LM
Installation hardware bag	041A2770-17



# Repair Parts

## Garage Door Opener Parts Model 84602

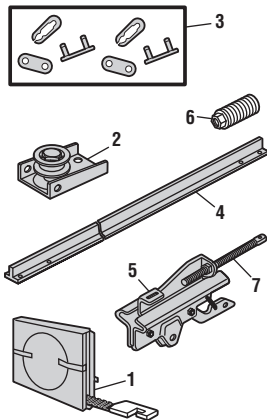


Description	Part Number
1 Sprocket and Sprocket Cover with Screws	041B5348-2
2 Non-logic board end panel	041-0185-000
3 Integrated LED Light Module	041-0189-000
4 Badge	041-0196-000
5 Main Enclosure Cover	041-0191-000
6 Control door panel	041-0192-000
7 End panel cover	041-0194-000
8 Motor with travel module	041-0236-000
9 Travel Module	041D8071-4
10 Logic board end panel	041-0183-000
11 Logic board	050DCTB
12 Terminal block	041A3150
13 Backup battery	485LM
14 Line cord	041B4245
<b>Not Shown</b>	
Wire harness	041-0180-000
Transformer	041A7635

# Repair Parts

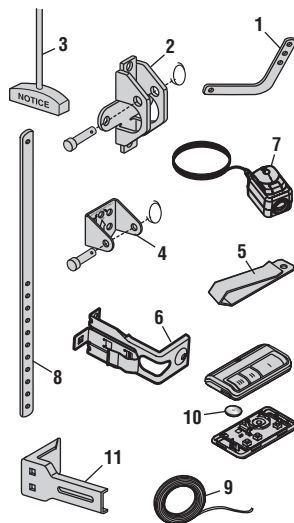
## Rail Assembly Parts Model 84501

Description	Part Number
1 Belt - for 7 foot door Belt - for 8 foot door Belt - for 10 foot door	041A5434-11A 041A5434-13A 041A5434-14A
2 Belt Pulley Bracket	041B5424
3 Master link	004A1008
4 One-Piece Rail 7 feet (2.1 m) One-Piece Rail 8 feet (2.4 m) One-Piece Rail 10 feet (3 m)	2777BD 2778BD 2770BD
5 Trolley Assembly Includes: Master Link (2), Clevis Pin (1), Ring (1), Belt Clip (1), Threaded Shaft (1), and Tensioner Assembly (1)	041B3869-3A
6 Tensioner Assembly	041B4103
7 Trolley Threaded Shaft	041A6689



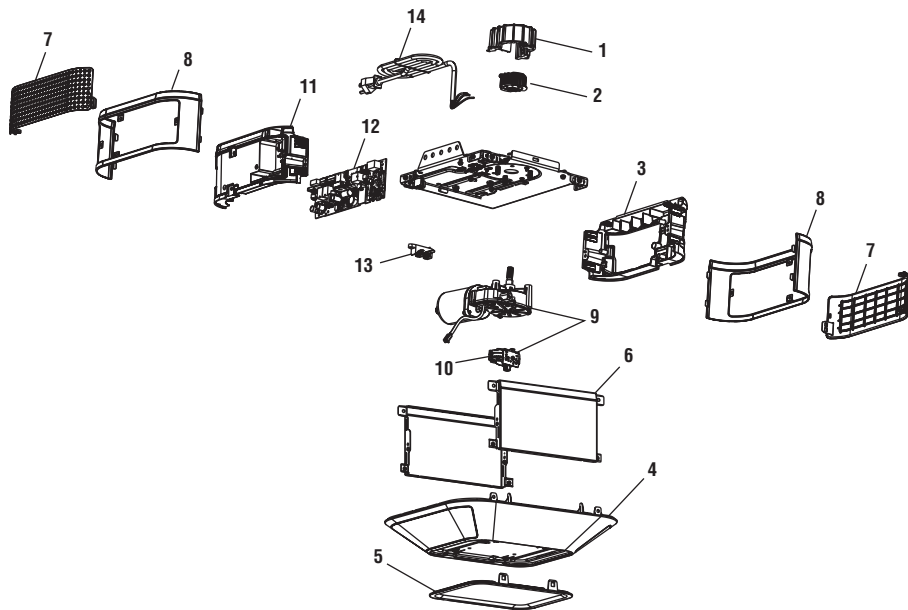
## Installation Parts

Description	Part Number
1 Curved door arm	041B0035B
2 Door bracket with clevis pin and fastener	041A5047-1
3 Emergency release rope and handle	041A2828
4 Header bracket with clevis pin and fastener	041A4353-1
5 Remote control visor clip	K029B0137
6 Safety sensor bracket	041-0399-000
7 Safety sensor kit with receiving and sending sensors with 3 feet (.9 m) 2-conductor wire	041-0136
8 Straight door arm	4178B0034B
9 White and red/white wire	041B4494-1
10 3V CR2032 lithium battery	K010A0020
11 Extension bracket (optional)	041A5281-1
<b>Not Shown</b>	
Installation hardware bag	041A2770-17
Multi-function Control Panel	882LMW
Owner's manual	114-5518-000



# Repair Parts

## Garage Door Opener Parts 84501



Description	Part Number
1 Sprocket cover	041A4371
2 Gear and sprocket	041C589-2
3 End panel, No Battery Access	041-0184-000
4 Dual Light Pod Kit, No Camera	041-0189-000
5 Badge	041-0196-000
6 Main Enclosure cover	041-0191-000
7 Control door panel	041-0192-000
8 End panel cover	041-0194-000
9 Motor with travel module	041-0236-000
10 Travel module	041D8071-4
11 Logic Board End PanelCover	041-0183-000
12 Logic board	050DCTB
13 Terminal Block	041A3150
14 Line Cord	041B4245
<b>Not Shown</b>	
Wire harness	041-0180-000
Transformer, Wi-Fi Non-Battery Backup	041D0277-2

### CONTACT INFORMATION

Visit us online at:

**LiftMaster.com or myLiftMaster.com**

Before calling, please have the model number of the garage door opener. If you are calling about a troubleshooting issue, it is recommended that you have access to your garage door opener while calling. If you are ordering a repair part please have the following information: part number, part name, and model number.

Wi-Fi® is a registered trademark of Wi-Fi Alliance.  
HomeLink® is a registered trademark of Gentex Corporation.

© 2023, LiftMaster  
All Rights Reserved

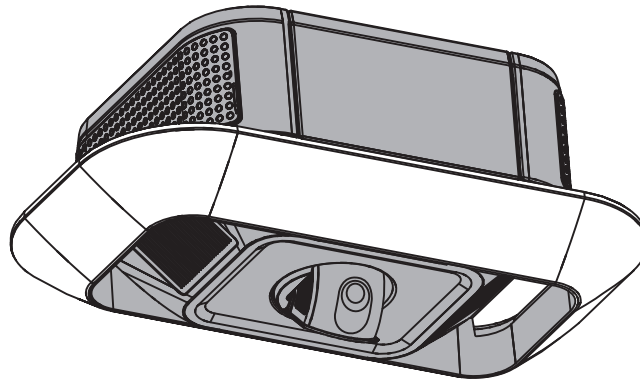
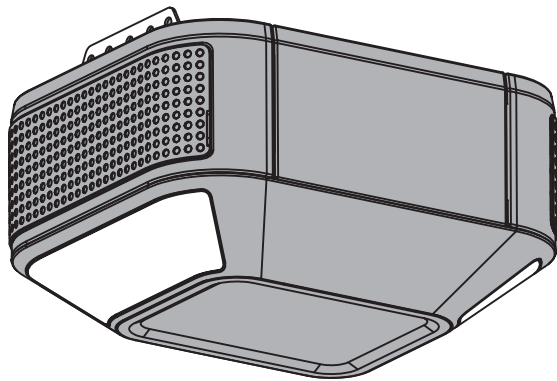


# Ouvre-portes de garage intelligents à DEL

**Modèles à entraînement par courroie - 87504-267, 84501**

**Modèles à entraînement par chaîne - 87802, 84602**

USAGE RÉSIDENTIEL UNIQUEMENT



- Veuillez lire attentivement ce manuel et les documents relatifs à la sécurité ci-joints!
- Des vérifications périodiques de l'ouvre-porte de garage sont nécessaires pour assurer un fonctionnement sûr.
- Cet ouvre-porte de garage est compatible avec les accessoires myQ® et Security+ 2.0®.
- Ne l'installez PAS sur une porte monobloc si vous utilisez des dispositifs ou des fonctionnalités permettant une fermeture sans surveillance. Les dispositifs et fonctionnalités sans surveillance doivent être utilisés **UNIQUEMENT** avec des portes sectionnelles.
- Fixez les étiquettes d'avertissement à l'endroit indiqué sur l'étiquette.

# Table des matières

---

<b>Préparation</b>	3	<b>Accessoires</b>	45
Inventaire du carton 87504-267	6	<b>Garantie</b>	46
Inventaire du carton 87802	7	<b>Pièces détachées</b>	49
Inventaire du carton 84501	8	Modèle 87504-267	49
Inventaire du carton 84602	9	Modèle 87802	51
<b>Assemblage</b>	10	Modèle 84602	53
87504-267, 84501	10	Modèle 84501	55
84602	11		
87802	12		
<b>Installation</b>	14		
<b>Panneau de commande</b>	22		
<b>Installer le Protector System</b>	24		
<b>Alimentation</b>	28		
<b>Ajustements</b>	30		
<b>Batterie de secours</b>	32		
<b>Fonctionnement</b>	34		
<b>Maintenance</b>	42		
<b>Dépannage</b>	43		

# Préparation

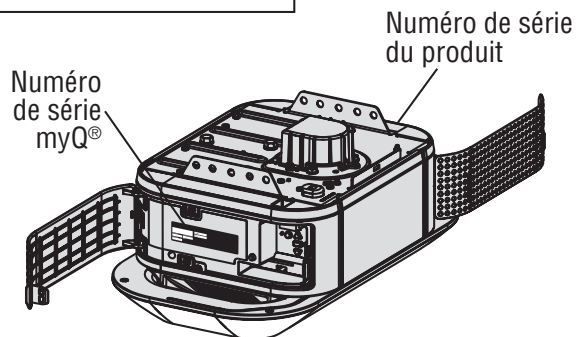
## No de série myQ®

Notez les renseignements suivants pour références futures :

Numéro de série myQ® :

Numéro de série du produit :

Date d'achat :



## Examen des symboles de sécurité et des notes d'avertissement.

Cet ouvre-porte de garage a été conçu et testé pour offrir un service sûr à condition qu'il soit installé, utilisé, entretenu et testé en stricte conformité avec les instructions et les avertissements de ce manuel.

Lorsque vous voyez ces symboles de sécurité et notes d'avertissement aux pages suivantes, ils vous avertissent du risque de blessures graves voire mortelles si vous ne respectez pas les avertissements qu'ils accompagnent. Le danger peut provenir de quelque chose de mécanique ou d'un choc électrique. Lisez attentivement les avertissements.

 **AVERTISSEMENT**


Mécanique

 **AVERTISSEMENT**

Électrique

Lorsque vous voyez ce mot d'avertissement aux pages suivantes, il vous avertit du risque que votre porte de garage et/ou l'ouvre-porte soit endommagé(e) si vous ne respectez pas les mises en garde qui l'accompagnent. Lisez-les attentivement.

 **ATTENTION**

 **AVERTISSEMENT** : Ce produit peut vous exposer à des produits chimiques, dont le plomb, qui sont reconnus par l'État de Californie comme provoquant le cancer, des malformations congénitales ou d'autres problèmes de reproduction. Pour plus d'information, visitez [www.P65Warnings.ca.gov](http://www.P65Warnings.ca.gov)

## Fonctionnement sans surveillance

La fonction de minuterie de fermeture (TTC), l'application myQ® et le moniteur de porte de garage et de portail myQ® sont des exemples de fermeture sans surveillance et doivent être utilisés **UNIQUEMENT** avec des portes sectionnelles. Tout dispositif ou fonction permettant à la porte de se fermer sans être dans le champ de vision de cette dernière est considéré comme une fermeture sans surveillance. La fonction de minuterie de fermeture (TTC), l'application myQ® et tout autre appareil myQ® doivent être utilisés **UNIQUEMENT** avec des portes sectionnelles.

# Préparation

## Avant de vous connecter avec votre téléphone intelligent

Surveillez et contrôlez votre porte de garage de n'importe où à l'aide de l'application myQ®.

Vous aurez besoin :

- Un téléphone intelligent, une tablette ou un ordinateur portable compatible avec le Wi-Fi®
- Connexion Internet à large bande
- Signal Wi-Fi® dans le garage (**2,4 Ghz, 802,11b/g/n requis**)
- Mot de passe pour votre réseau domestique (le compte principal du routeur; pas le réseau invité)

### TESTEZ LA FORCE DU SIGNAL THE WI-FI®

Assurez-vous que votre appareil mobile est connecté à votre réseau Wi-Fi®. Tenez votre appareil mobile à l'endroit où votre ouvre-porte de garage sera installé et vérifiez la force du signal Wi-Fi®.



#### Vérifiez la force du signal. Si vous voyez ce qui suit :



**Le signal Wi-Fi est fort.**  
L'ouvre-porte de garage se connectera à votre réseau Wi-Fi.



**Le signal Wi-Fi est faible.**  
L'ouvre-porte de garage peut se connecter à votre réseau Wi-Fi. Sinon, essayez une des options ci-dessous pour améliorer le signal Wi-Fi :



**Aucun signal Wi-Fi.**  
L'ouvre-porte de garage ne pourra pas se connecter à votre réseau Wi-Fi. Essayez une des options ci-dessous pour améliorer le signal Wi-Fi :

- Rapprochez votre routeur de l'ouvre-porte de garage pour minimiser les interférences avec les murs et autres objets
- Achetez un prolongateur de portée Wi-Fi

Pour obtenir les caractéristiques techniques des routeurs compatibles et de l'aide, visitez [support.liftmaster.com](http://support.liftmaster.com).

Voir la page 36 pour connecter l'ouvre-porte de garage à un appareil mobile.

## Vérifiez la porte

### ⚠ AVERTISSEMENT

Pour éviter d'éventuelles BLESSURES GRAVES voire MORTELLES :

- Appelez TOUJOURS un technicien qualifié en systèmes de porte si la porte de garage se coince, colle ou est déséquilibrée. Une porte de garage déséquilibrée risque de ne PAS s'inverser lorsque cela est nécessaire.
- N'essayez JAMAIS de desserrer, déplacer ou ajuster la porte de garage, les ressorts de porte, les câbles, les poulies, les supports ou leur matériel, qui sont TOUS sous une tension EXTRÊME.
- Désactivez TOUS les verrous et retirez TOUTES les cordes connectées à la porte de garage AVANT d'installer et d'utiliser l'ouvre-porte pour éviter tout enchevêtrement.
- Ne l'installez PAS sur une porte monobloc si vous utilisez des dispositifs ou des fonctionnalités permettant une fermeture sans surveillance. Les dispositifs et fonctionnalités sans surveillance doivent être utilisés UNIQUEMENT avec des portes sectionnelles.

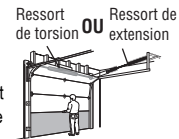
### ⚠ ATTENTION

Pour éviter d'endommager la porte de garage et l'ouvre-porte :

- Désactivez TOUJOURS les verrous AVANT d'installer et d'utiliser l'ouvre-porte.
- Utilisez UNIQUEMENT l'ouvre-porte de garage sur 120 V, 60 Hz pour éviter les dysfonctionnements et les dommages.

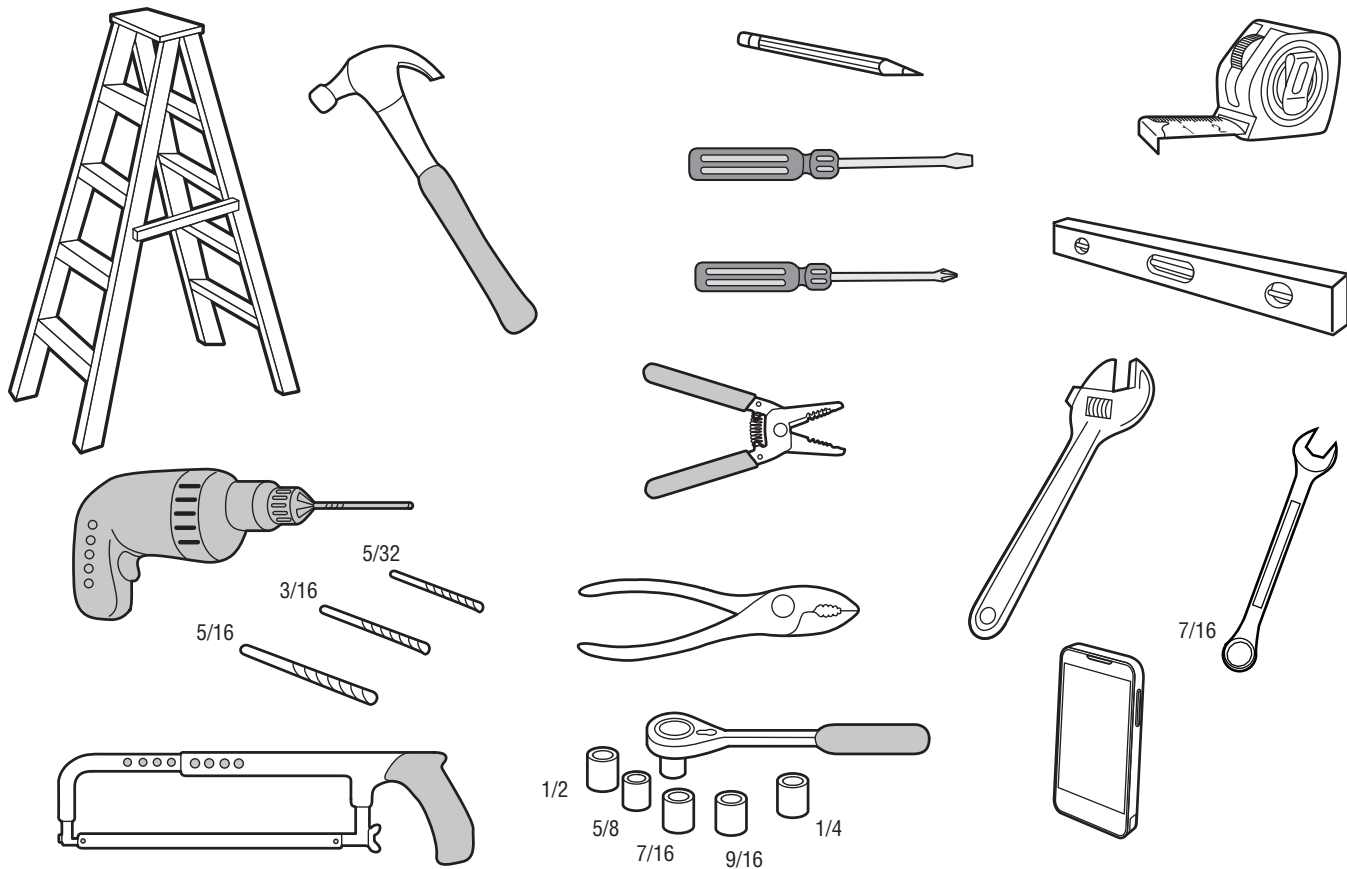
Avant de commencer :

1. Désactivez les verrous et retirez toutes les cordes connectées à la porte de garage.
2. Soulevez la porte à mi-hauteur. Libérez la porte. Si elle est équilibrée, elle doit rester en place, entièrement soutenue par ses ressorts.
3. Soulevez et abaissez la porte pour vérifier qu'elle ne se coince pas ou ne colle pas. Si votre porte se coince, colle ou est déséquilibrée, appelez un technicien qualifié en systèmes de porte.
4. Vérifiez le joint au bas de la porte. Tout écart entre le sol et le bas de la porte ne doit pas dépasser 6 mm (1/4 po). Sinon, le système d'inversion de sécurité risque de ne pas fonctionner correctement.
5. L'ouvre-porte doit être installé au-dessus du centre de la porte. S'il y a un ressort de torsion ou une plaque d'appui centrale sur le chemin du support de linteau, il peut être installé à moins de 1,2 m (4 pi) à gauche ou à droite du centre de la porte. Voir la page 15.



# Préparation

## Outils nécessaires



# Préparation

## Inventaire du carton 87504-267

Les accessoires varient selon le modèle de l'ouvre-porte de garage acheté. Selon votre modèle précis, d'autres accessoires pourraient être compris avec votre ouvre-porte de garage. Les instructions relatives aux accessoires ne sont pas incluses dans ce manuel, car elles sont jointes à ces derniers. **Les images de ce manuel sont fournies à titre indicatif et il est possible que votre produit ait une apparence différente.**

- A. Support de linteau
- B. Poulie et support
- C. Support de porte
- D. Bras de porte incurvé
- E. Bras de porte droit
- F. Chariot
- G. Corde et poignée de déclenchement d'urgence
- H. Rail
- I. Ouvre-porte de garage
- J. Couvercle de la poulie et vis à six pans
- K. Courroie
- L. Panneau de commande®
- M. Fil blanc et rouge/blanc
- N. Le Protector System®  
Capteurs d'inversion de sécurité avec fils blanc et blanc/noir attachés : capteur d'envoi (1), capteur de réception (1) et supports de capteur de sécurité (2)
- O. Étiquettes de sécurité et documentation
- P. Graisse pour rail
- Q. Télécommande (2)
- R. Batterie
- S. Entrée sans clé

### MATÉRIEL POUR RAIL

Boulon avec rondelle 5/16 po-18 x 1/2 po (2) [monté sur le dessus de l'ouvre-porte de garage]

### MATÉRIEL D'INSTALLATION

Boulon à six pans 5/16 po - 18 x 7/8 po (4)

Tirefond 5/16 po - 9 x 1 - 5/8 po (2)

Axe à épaulement 5/16 po x 2-3/4 po (1)

Axe à épaulement 5/16 po x 1-1/4 po (1)

Axe à épaulement 5/16 po x 1-1/1 po (1)

Écrou 5/16 po - 18 (4)

Rondelle d'arrêt 5/16 po (4)

Vis autotaraudeuse 1/4 po - 14 x 5/8 po (2)

Anneau de fixation (3)

Vis à six pans 10-24 (2)

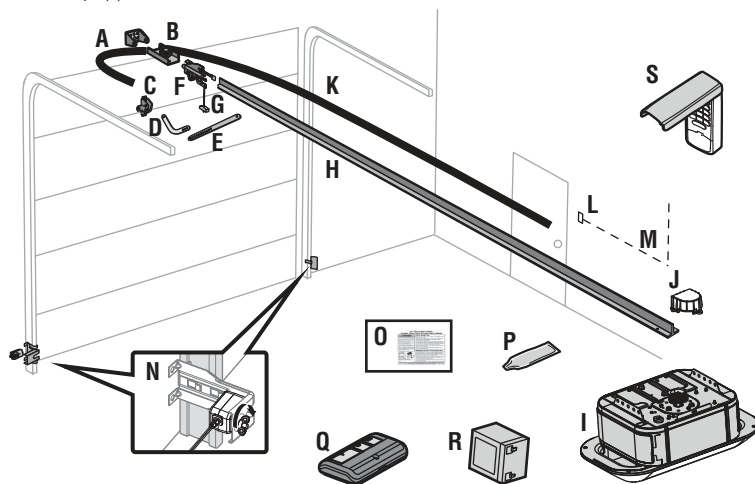
Écrou à oreilles (2)

## MATÉRIEL DE PANNEAU DE COMMANDE

Vis 6AB x 1 po (1)

Vis 6 - 32 x 1 po (2)

Chevilles pour cloisons sèches (2)



# Préparation

## Inventaire du carton 87802

Les accessoires varient selon le modèle de l'ouvre-porte de garage acheté. Selon votre modèle précis, d'autres accessoires pourraient être compris avec votre ouvre-porte de garage. Les instructions relatives aux accessoires ne sont pas incluses dans ce manuel, car elles sont jointes à ces derniers. **Les images de ce manuel sont fournies à titre indicatif et il est possible que votre produit ait une apparence différente.**

- A. Support de linteau
- B. Poulie et support
- C. Support de porte
- D. Bras de porte incurvé
- E. Bras de porte droit
- F. Chariot
- G. Corde et poignée de déclenchement d'urgence
- H. Rail
- I. Ouvre-porte de garage
- J. Écarteur de chaîne et vis à six pans
- K. Chaîne
- L. Panneau de commande®
- M. Fil blanc et rouge/blanc
- N. Le Protector System®  
Capteurs d'inversion de sécurité avec fils blanc et blanc/noir attachés : capteur d'envoi (1), capteur de réception (1) et supports de capteur de sécurité (2)
- O. Étiquettes de sécurité et documentation
- P. Graisse pour rail
- Q. Télécommande(s)
- R. Batterie
- S. Support de châssis

## Matériel

### Matériel pour le support de châssis

- Vis no 8-32 x 3/8 po (1)
- Boulon à six pans 1/4 po - 20 x 5/8 po (2)
- Rondelle d'arrêt (2)
- Boulon avec rondelle 5/16 po-18x1/2 po (2)

### Matériel pour l'écarteur de chaîne

- Vis no 8-32 x 3/8 po (2)

### Matériel pour rail

- Boulon avec rondelle (monté sur le dessus de l'ouvre-porte de garage)

### Matériel d'installation

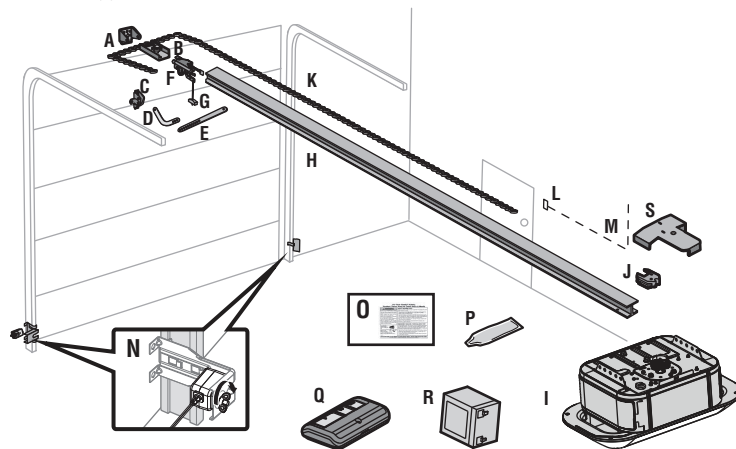
- Boulon à six pans 5/16 po - 18 x 7/8 po (4)
- Tirefond 5/16 po - 9 x 1 - 5/8 po (2)
- Axe à épaulement 5/16 po x 2-3/4 po (1)
- Axe à épaulement 5/16 po x 1-1/4 po (1)
- Axe à épaulement 5/16 po x 1-1/1 po (1)
- Écrou 5/16 po - 18 (4)
- Rondelle d'arrêt 5/16 po (4)

### Matériel de panneau de commande

- Vis 6AB x 1 po (2)
- Vis 6 - 32 x 1 po (2)

- Vis autotaraudeuse 1/4 po - 14 x 5/8 po (2)
- Anneau de fixation (3)
- Vis à six pans 10-24 (2)
- Écrou à oreilles (2)
- Boulon à six pans 1/4 po - 20 x 5/8 po (2)
- Écrou d'arrêt 1/4 po - 20 (2)
- Tirefond 1/4 po - 4 x 1 - 1/2 po (4)

- Chevilles pour cloisons sèches (2)



# Préparation

## Inventaire du carton 84501

Les accessoires varient selon le modèle de l'ouvre-porte de garage acheté. Selon votre modèle précis, d'autres accessoires pourraient être compris avec votre ouvre-porte de garage. Les instructions relatives aux accessoires ne sont pas incluses dans ce manuel, car elles sont jointes à ces derniers. **Les images de ce manuel sont fournies à titre indicatif et il est possible que votre produit ait une apparence différente.**

- A. Support de linteau
- B. Poulie et support
- C. Support de porte
- D. Bras de porte incurvé
- E. Bras de porte droit
- F. Chariot
- G. Corde et poignée de déclenchement d'urgence
- H. Rail
- I. Ouvre-porte de garage
- J. Couvercle de la poulie et vis à six pans
- K. Courroie
- L. Panneau de commande
- M. Fil blanc et rouge/blanc
- N. Le Protector System®  
Capteurs d'inversion de sécurité avec fils blanc et blanc/noir attachés : capteur d'envoi (1), capteur de réception (1) et supports de capteur de sécurité (2)
- O. Étiquettes de sécurité et documentation
- P. Graisse pour rail
- Q. Télécommande

## MATÉRIEL POUR RAIL

Boulon avec rondelle 5/16 po-18 x 1/2 po (2) (monté sur le dessus de l'ouvre-porte de garage)

Rondelle d'arrêt 5/16 po (4)

Boulon à six pans 5/16 po - 18 x 7/8 po (4)

Vis autotaraudeuse 1/4 po - 14 x 5/8 po (2)

Tirefond 5/16 po - 9 x 1 - 5/8 po (2)

Anneau de fixation (3)

Axe à épaulement 5/16 po x 2-3/4 po (1)

Vis à six pans 10-24 (2)

Axe à épaulement 5/16 po x 1-1/4 po (1)

Écrou à oreilles (2)

Axe à épaulement 5/16 po x 1-1/1 po (1)

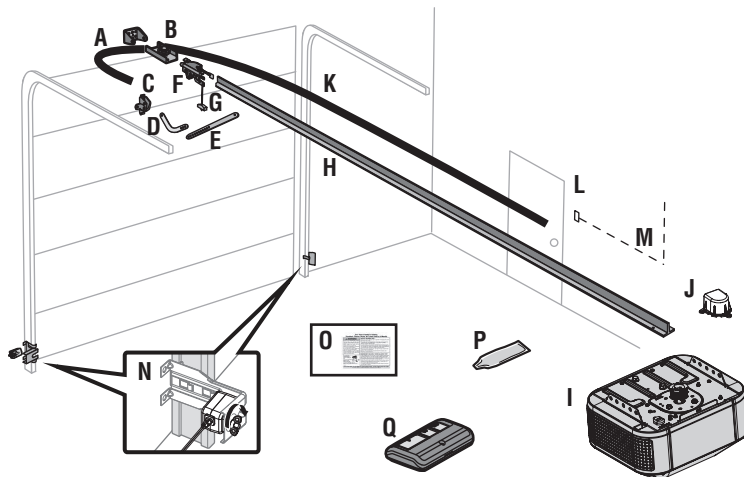
Écrou 5/16 po - 18 (4)

## MATÉRIEL DE PANNEAU DE COMMANDE

Vis 6AB x 1 po (1)

Chevilles pour cloisons sèches (2)

Vis 6 - 32 x 1 po (2)





# Préparation

## Inventaire du carton 84602

Les accessoires varient selon le modèle de l'ouvre-porte de garage acheté. Selon votre modèle précis, d'autres accessoires pourraient être compris avec votre ouvre-porte de garage. Les instructions relatives aux accessoires ne sont pas incluses dans ce manuel, car elles sont jointes à ces derniers. **Les images de ce manuel sont fournies à titre indicatif et il est possible que votre produit ait une apparence différente.**

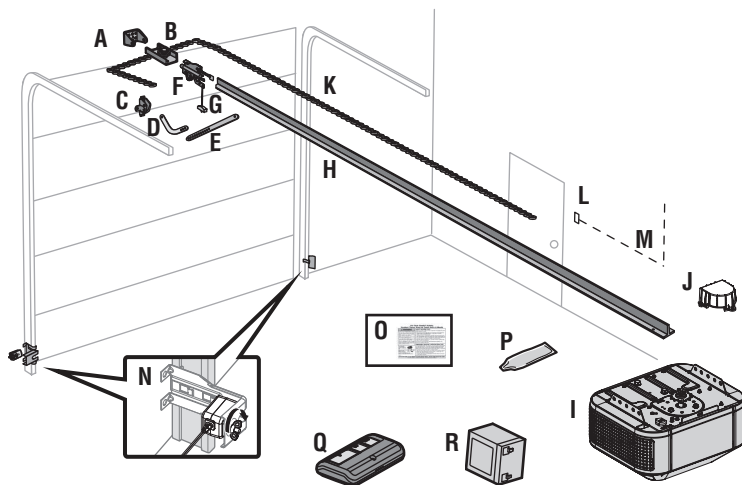
- A. Support de linteau
- B. Poulie et support
- C. Support de porte
- D. Bras de porte incurvé
- E. Bras de porte droit
- F. Chariot
- G. Corde et poignée de déclenchement d'urgence
- H. Rail
- I. Ouvre-porte de garage
- J. Couvreclu du pignon et vis à six pans
- K. Chaîne
- L. Panneau de commande
- M. Fil blanc et rouge/blanc
- N. Protector System® capteurs d'inversion de sécurité avec fils blanc et blanc/noir attachés : capteur d'envoi (1), capteur de réception (1) et supports de capteur de sécurité (2)
- O. Étiquettes de sécurité et documentation
- P. Télécommande
- Q. Télécommande
- R. Batterie

## MATÉRIEL POUR RAIL

- Boulon avec rondelle 5/16 po - 18 x 1/2 po (2) (monté sur le dessus de l'ouvre-porte de garage)
- Rondelle d'arrêt 5/16 po - 16 (4)
- Boulon à six pans 5/16 po - 18 x 7/8 po (4)
- Vis autotaraudeuse 1/4 po - 14 x 5/8 po (2)
- Tirefond 5/16 po - 9 x 1 - 5/8 po (2)
- Anneau de fixation (3)
- Axe à épaulement 5/16 po x 2-3/4 po (1)
- Vis à six pans 10-24 (2)
- Axe à épaulement 5/16 po x 1-1/4 po (1)
- Écrou à oreilles (2)
- Axe à épaulement 5/16 po x 1-1/1 po (1)
- Écrou 5/16 po - 18 (4)

## MATÉRIEL DE PANNEAU DE COMMANDE

- Vis 6AB x 1 po (1)
- Chevilles pour cloisons sèches (2)
- Vis 6 - 32 x 1 po (2)



# Assemblage

## 1 Fixer le rail de la courroie à l'ouvre-porte de garage. 87504-267, 84501

### AVERTISSEMENT

Pour éviter d'éventuelles BLESSURES GRAVES au doigt causées par l'ouvre-porte de garage en mouvement :

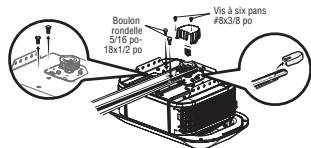
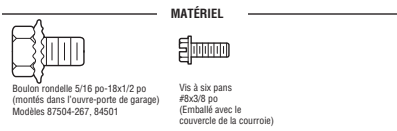
- Gardez TOUJOURS la main à l'écart du pignon lorsque vous utilisez l'ouvre-porte.
- Fixez solidement le couvercle du pignon AVANT toute utilisation.

### ATTENTION

Pour éviter de GRAVES dommages à l'ouvre-porte de garage, utilisez UNIQUEMENT les boulons/attaches montés sur le dessus de l'ouvre-porte.

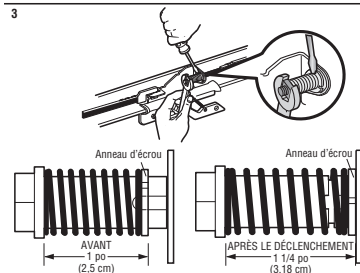
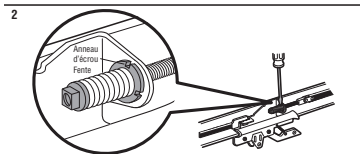
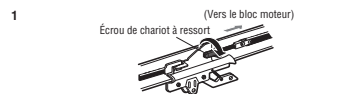
**REMARQUE :** Utilisez UNIQUEMENT les boulons que vous avez retirés de l'ouvre-porte de garage. Placez l'ouvre-porte de garage sur le matériel d'emballage pour éviter les rayures.

1. **Modèles 87504-267 et 84501** Retirez les deux boulons du haut de l'ouvre-porte de garage.
2. Alignez les trous du rail avec les trous de l'ouvre-porte de garage.
3. Fixez le rail à l'aide des boulons mentionnés précédemment. Découpez et jetez le ruban adhésif et le polystyrène qui se trouvent autour du rail.
4. Positionnez la chaîne autour du pignon de l'ouvre-porte de garage.
5. Placez le cache-pignon sur le pignon de l'ouvre-porte de garage et fixez-le avec des vis hexagonales.



## 2 Serrer la courroie

1. Insérez la pointe d'un tournevis à tête plate dans l'une des fentes de la bague d'écrou et fixez-la fermement contre le chariot.
2. Serrez l'écrou du chariot à ressort, avec une clé à molette ou une clé plate de 7/16 po, d'environ un quart de tour jusqu'à ce que le ressort se libère et enclenche la bague d'écrou contre le chariot. Ceci règle le ressort sur une tension optimale de la courroie.



# Assemblage

## 1 Fixer le rail de chaîne à l'ouvre-porte de garage 84602

### AVERTISSEMENT

Pour éviter d'éventuelles BLESSURES GRAVES au doigt causées par l'ouvre-porte de garage en mouvement :

- Gardez TOUJOURS la main à l'écart du pignon lorsque vous utilisez l'ouvre-porte.
- Fixez solidement le couvercle du pignon AVANT toute utilisation.

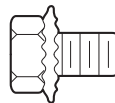
### ATTENTION

Pour éviter de GRAVES dommages à l'ouvre-porte de garage, utilisez UNIQUEMENT les boulons/attaches montés sur le dessus de l'ouvre-porte.

**REMARQUE :** Utilisez UNIQUEMENT les boulons que vous avez retirés de l'ouvre-porte de garage. Placez l'ouvre-porte de garage sur le matériel d'emballage pour éviter les rayures.

1. Retirez les deux boulons du haut de l'ouvre-porte de garage.
2. Alignez les trous du rail avec les trous de l'ouvre-porte de garage.
3. Fixez le rail à l'aide des boulons mentionnés précédemment. Découpez et jetez le ruban adhésif et le polystyrène qui se trouvent autour du rail.
4. Positionnez la chaîne autour du pignon de l'ouvre-porte de garage.
5. Placez le cache-pignon sur le pignon de l'ouvre-porte de garage et fixez-le avec des vis hexagonales.

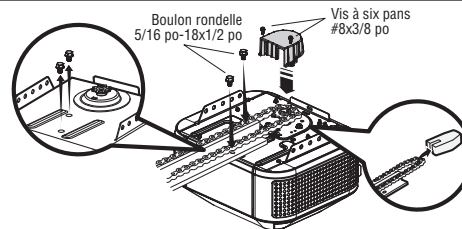
## MATÉRIEL



Boulon rondelle 5/16 po-18x1/2 po  
(montés dans l'ouvre-porte de garage)  
Modèles 87504-267, 84501



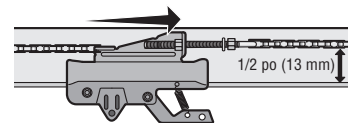
Vis à six pans  
#8x3/8 po  
(Emballé avec le  
cache-pignon)



## 2 Serrer la chaîne

1. Desserrez l'écrou intérieur et la rondelle de blocage sur l'arbre fileté du chariot.
2. Serrez l'écrou extérieur jusqu'à ce que la chaîne soit à un demi-pouce au-dessus de la base du rail au point médian de celui-ci.
3. Resserrez l'écrou intérieur.

Lorsque la porte est fermée, il est normal de voir un certain relâchement de la chaîne. Aucun réajustement n'est nécessaire.



# Assemblage

## 1 Fixer le rail de chaîne de la poutre en I à l'ouvre-porte de garage 87802

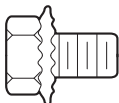
### ⚠ ATTENTION

Pour éviter de GRAVES dommages à l'ouvre-porte de garage, utilisez UNIQUEMENT les boulons/attaches montés sur le dessus de l'ouvre-porte.

**REMARQUE :** Utilisez UNIQUEMENT les boulons que vous avez retirés de l'ouvre-porte de garage. Placez l'ouvre-porte de garage sur le matériel d'emballage pour éviter les rayures.

1. Retirez les deux boulons du haut de l'ouvre-porte de garage.
2. Alignez les trous du rail avec les trous de l'ouvre-porte de garage.
3. Fixez le rail à l'aide des boulons mentionnés précédemment. Découpez et jetez le ruban adhésif et le polystyrène qui se trouvent autour du rail.
4. Positionnez la chaîne autour du pignon de l'ouvre-porte de garage.
5. Fixez l'écarteur de chaîne à l'ouvre-porte de garage à l'aide de vis.
6. Guidez la chaîne autour de la rainure sélectionnée dans l'écarteur de chaîne.

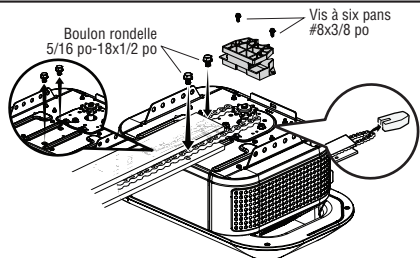
### MATÉRIEL



Boulon rondelle 5/16 po-18x1/2 po  
(montés dans l'ouvre-porte de garage)



Vis à six pans  
#8x3/8 po  
(emballée avec le couvercle du pignon)



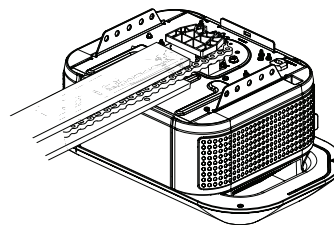
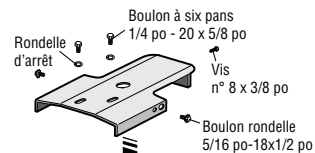
## 2 Fixer le support de châssis

### ⚠ AVERTISSEMENT

Pour éviter d'éventuelles BLESSURES GRAVES au doigt causées par l'ouvre-porte de garage en mouvement :

- Gardez TOUJOURS la main à l'écart du pignon lorsque vous utilisez l'ouvre-porte.
- Fixez solidement le couvercle du pignon AVANT toute utilisation.

1. Positionnez le support de châssis sur l'unité.
2. Fixez le support sur le rail avec les boulons à six pans de 1/4 po-20 x 5/8 po et les rondelles d'arrêt. **Ne serrez PAS trop.**
3. Fixez le support à l'ouvre-porte en insérant une vis à rondelle 5/16 po-18 x 1/2 po dans le trou de la bride de fixation de chaque côté et le trou correspondant sur le support. Terminez la connexion en insérant la vis no 8-32 x 3/8 po dans la bride de fixation arrière et le trou du support du rail.

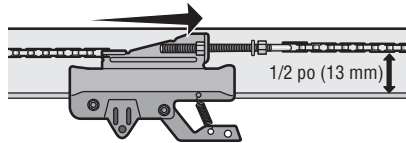


# Assemblage

## 3 Serrer la chaîne

1. Desserrez l'écrou intérieur et la rondelle de blocage sur l'arbre fileté du chariot.
2. Serrez l'écrou extérieur jusqu'à ce que la chaîne soit à un demi-pouce au-dessus de la base du rail au point médian de celui-ci.
3. Resserrez l'écrou intérieur.

Lorsque la porte est fermée, il est normal de voir un certain relâchement de la chaîne. Aucun réajustement n'est nécessaire.



# INSTRUCTIONS D'INSTALLATION IMPORTANTES

## **AVERTISSEMENT**

### **Pour réduire le risque de BLESSURES GRAVES voire MORTELLES :**

1. LISEZ ET SUIVEZ TOUS LES AVERTISSEMENTS ET TOUTES LES INSTRUCTIONS D'INSTALLATION.
2. Installez l'ouvre-porte de garage UNIQUEMENT sur une porte de garage correctement équilibrée et lubrifiée. Une porte mal équilibrée risque de ne PAS s'inverser lorsque cela est nécessaire et pourrait entraîner des BLESSURES GRAVES voir MORTELLES.
3. TOUTES les réparations de câbles, ressorts et autre matériel DOIVENT être effectuées par un technicien en systèmes de portes qualifié AVANT l'installation de l'ouvre-porte.
4. Désactivez TOUS les verrous et retirez TOUTES les cordes connectées à la porte de garage AVANT d'installer l'ouvre-porte pour éviter qu'elles s'enchevêtrent.
5. Dans la mesure du possible, installez l'ouvre-porte à une hauteur minimum de 2,13 m (7 pi) du sol.
6. Montez le déclenchement d'urgence à portée de main, mais à une hauteur minimum de 1,83 m (6 pi) du sol et en évitant tout contact avec les véhicules afin d'éviter un déclenchement accidentel.
7. Ne branchez JAMAIS l'ouvre-porte de garage à une source d'alimentation avant d'y être invité.
8. NE portez JAMAIS de montres, bagues ou vêtements amples en installant ou entretenant l'ouvre-porte. Ils pourraient être happés dans les mécanismes de porte de garage ou d'ouvre-porte.
9. Installez la commande de porte de garage murale :
  - en vue de la porte du garage.
  - hors de portée des jeunes enfants à une hauteur minimale de 1,5 m (5 pi) au-dessus du sol, des paliers, des marches ou de toute autre surface de marche adjacente.
  - loin de TOUTES les pièces mobiles de la porte.
10. Placez une étiquette d'avertissement de piégeage sur le mur, à côté du panneau de commande de la porte de garage, dans un endroit bien en vue.
11. Placez l'étiquette de test d'inversion de sécurité/déclenchement d'urgence bien en vue à l'intérieur de la porte de garage.
12. Une fois l'installation terminée, testez le système d'inversion de sécurité. La porte DOIT s'inverser au contact d'un objet de 3,8 cm (1-1/2 po) de haut (ou un 2x4 posé à plat) sur le sol.
13. Ne l'installez PAS sur une porte monobloc si vous utilisez des dispositifs ou des fonctionnalités permettant une fermeture sans surveillance. Les dispositifs et fonctionnalités sans surveillance doivent être utilisés UNIQUEMENT avec des portes sectionnelles.

14. **CONSERVER CES  
INSTRUCTIONS.**

# Installation

## 1 Déterminez l'emplacement du support de linteau

### AVERTISSEMENT

Pour éviter d'éventuelles BLESSURES GRAVES voire MORTELLES :

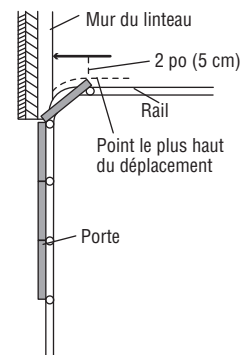
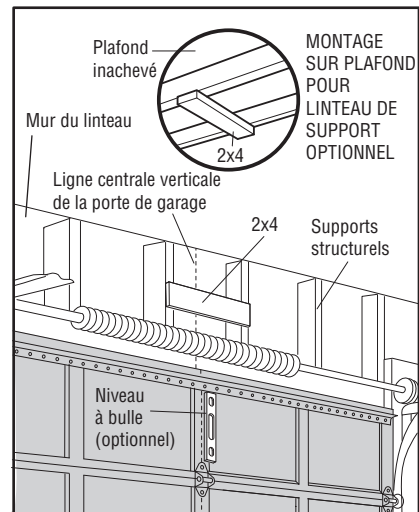
- Le support de linteau DOIT être fixé RIGIDEMENT au support de structure mur du linteau ou du plafond, car sinon la porte de garage risquerait de NE PAS s'inverser si nécessaire. N'installez PAS le support de linteau sur une cloison sèche.
- Des ancrages à béton DOIVENT être utilisés si le support de linteau est monté sur 2x4 dans la maçonnerie.
- N'essayez JAMAIS de desserrer, déplacer ou ajuster la porte de garage, les ressorts, les câbles, les poulies, les supports ou leur matériel, qui sont TOUS sous une tension EXTRÊME.
- Appelez TOUJOURS un technicien qualifié en systèmes de porte si la porte de garage se coince, colle ou est déséquilibrée. Une porte de garage déséquilibrée risque de NE PAS s'inverser lorsque cela est nécessaire.

Fermez la porte et marquez la ligne médiane verticale intérieure de la porte de garage.

Prolongez la ligne sur le mur du linteau au-dessus de la porte. Vous pouvez fixer le support de linteau à moins de 1,22 m (4 pieds) de la gauche ou de la droite du centre de la porte uniquement si un ressort de torsion ou une plaque d'appui centrale gêne; ou vous pouvez le fixer au plafond lorsque le dégagement est minimal. (Il peut être monté au mur à l'envers si nécessaire, pour gagner environ 1 cm (1/2 po). Si vous devez installer le support de linteau sur un 2x4 (au mur ou au plafond), utilisez des tirefonds (non fournis) pour fixer solidement le 2x4 aux supports de structure.

Ouvrez votre porte au point le plus élevé du déplacement comme indiqué. Tracez une ligne horizontale sécante sur le mur du linteau à 5 cm (2 po) au-dessus du point le plus haut. La hauteur fournira le dégagement de déplacement pour le bord du dessus de la porte.

**REMARQUE :** Si le total de pouces dépasse la hauteur disponible de votre garage, utilisez le plus de hauteur possible ou consultez la page 16 pour les installations au plafond.



Porte sectionnelle avec rail incurvé

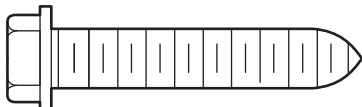
# Installation

## 2 Installez le support de linteau

Vous pouvez fixer le support de linteau soit au mur au-dessus de la porte de garage, soit au plafond. Suivez les instructions qui conviendront le mieux à vos besoins particuliers. **N'installez pas le support de linteau sur une cloison sèche.** Si vous effectuez l'installation dans de la maçonnerie, utilisez des chevilles à béton (non fournies).

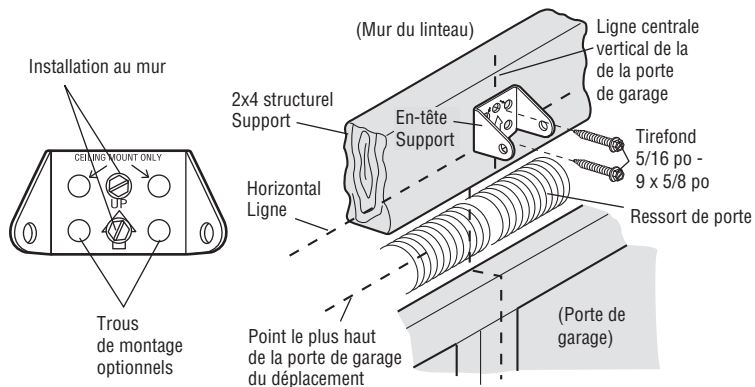
### MATÉRIEL

Tirefond 5/16 po - 9 x 1-5/8 po



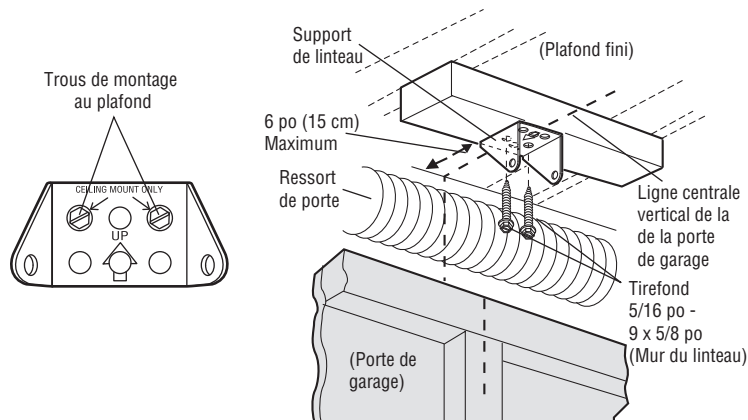
### OPTION A - INSTALLATION MURALE

1. Centrez le support placé sur la ligne médiane verticale sur le bord inférieur du support placé sur la ligne horizontale tel qu'indiqué (la flèche orientée vers le plafond).



### OPTION B - INSTALLATION AU PLAFOND

1. Étendez la ligne médiane verticale sur le plafond comme indiqué.
2. Marquez les trous latéraux. Percez des avant-trous de 3/16 po et fixez solidement le support à un support structurel avec la quincaillerie fournie.



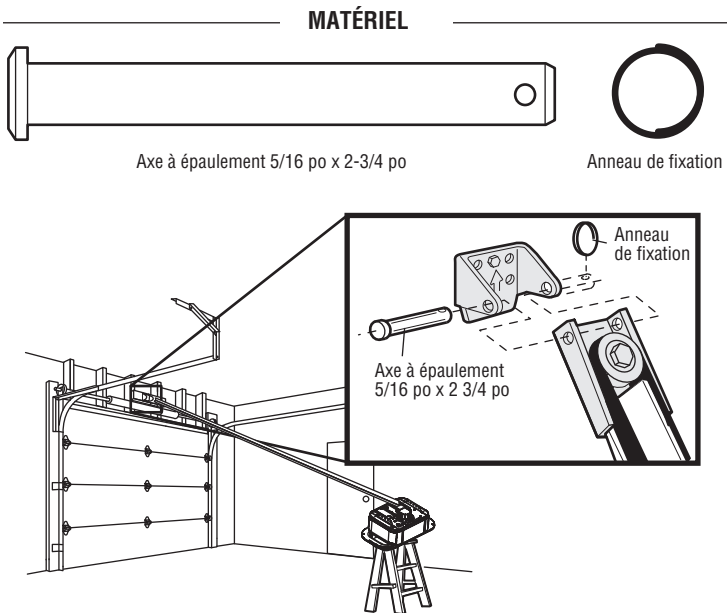


# Installation

## 3 Fixez le rail au support de linteau

1. Alignez le rail avec le support de linteau. Insérez l'axe à épaulement dans les trous du support du linteau et le rail. Fixez avec l'anneau de fixation.

**REMARQUE :** Utilisez le matériel d'emballage comme base protectrice pour l'ouvre-porte de garage.



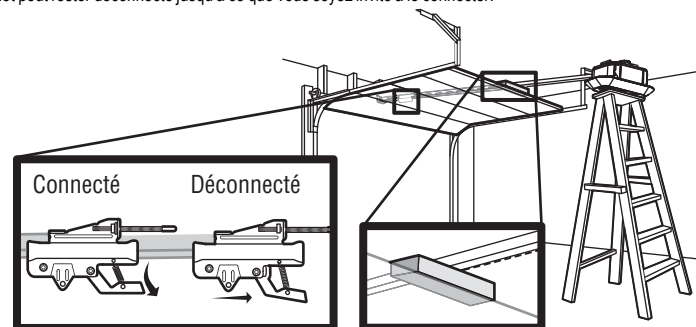
## 4 Positionner et monter l'ouvre-porte de garage.

**! ATTENTION**

Pour éviter d'endommager la porte de garage, placez le rail de l'ouvre-porte de garage sur un 2x4 placé sur la partie supérieure de la porte.

1. Retirez le matériel d'emballage et soulevez l'ouvre-porte de garage sur une échelle.
2. Ouvrez complètement la porte et placez un 2x4 (à plat) sous le rail.

Un 2x4 est idéal pour régler la distance entre le rail et la porte. Si l'échelle n'est pas assez haute, vous aurez besoin d'aide à ce stade. Si la porte heurte le chariot lorsqu'il est relevé, tirez le bras de déclenchement du chariot vers le bas pour déconnecter les chariots intérieur et extérieur. Faites glisser le chariot extérieur vers l'ouvre-porte de garage. Le chariot peut rester déconnecté jusqu'à ce que vous soyez invité à le connecter.



# Installation

## 5 Accrocher l'ouvre-porte de garage

### AVERTISSEMENT

Pour éviter d'éventuelles BLESSURES GRAVES causées par la chute d'un ouvre-porte de garage, fixez-le SOLIDEMENT aux supports de la structure du garage. Des ancrages à béton DOIVENT être utilisés si vous installez TOUT support dans la maçonnerie.

La suspension de l'ouvre-porte de garage varie en fonction de votre garage. Voici deux installations représentatives. La vôtre peut être différente. Les supports de suspension pourraient être à angle (Figure 1) pour fournir un support rigide. Sur les plafonds finis (Figure 2), avant d'installer l'ouvre-porte, fixez un support de métal solide sur des supports de structure. Ce support ainsi que le matériel de fixation ne sont pas fournis.

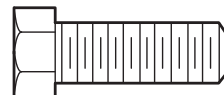
1. Prenez la mesure de la distance de chaque côté du bloc moteur au support de structure.
2. Coupez les deux morceaux du support de suspension aux longueurs requises.
3. Percez des trous pilotes de 3/16 po dans les supports structurels.
4. Fixez un bout de chaque support à un support avec des tirefonds de 5/16 po-18 x 1-7/8 po (non fournis).
5. Fixez l'ouvre-porte au support de suspension avec des boulons à six pans 5/16 po-18 x 7/8 po, des rondelles d'arrêt et des écrous.
6. Vérifiez que le rail est centré au-dessus de la porte (ou aligné avec le support du linteau si le support n'est pas centré au-dessus de la porte).
7. Retirez le 2x4. Faites fonctionner la porte manuellement. Si la porte heurte le rail, soulevez le support de linteau.

**REMARQUE :** NE branchez PAS l'alimentation de l'ouvre-porte à ce moment-là.

### MATÉRIEL



Rondelle de blocage 5/16 po



Boulon à six pans 5/16 po - 18 x 7/8 po



Écrou 5/16 po - 18

FIGURE 1

Plafond non fini

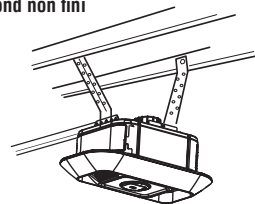


FIGURE 2

Plafond fini

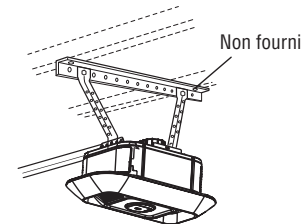
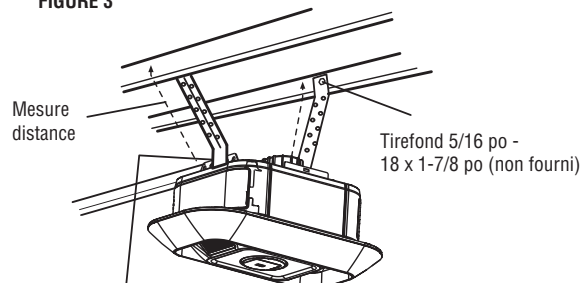


FIGURE 3



Boulon hexagonal 5/16 po- 18x7/8 po, rondelle de blocage 5/16 po, écrou 5/16 po-18

# Installation

## 6 Fixez la corde et la poignée de déclenchement d'urgence

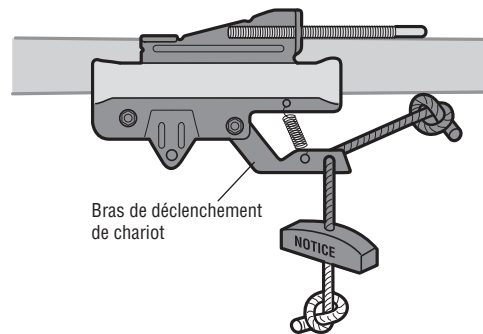
### AVERTISSEMENT

Pour éviter d'éventuelles BLESSURES GRAVES voire MORTELLES causées par une porte de garage qui tombe :

- Dans la mesure du possible, utilisez UNIQUEMENT la poignée de déclenchement d'urgence pour désengager le chariot lorsque la porte du garage est FERMÉE. Des ressorts faibles ou cassés, ou une porte déséquilibrée peuvent entraîner une chute rapide et/ou inattendue d'une porte ouverte.
- N'utilisez JAMAIS la poignée de déclenchement d'urgence avant que toutes les personnes et les obstacles aient été retirés du trajet qu'elle suivra.
- N'utilisez JAMAIS la poignée pour ouvrir ou fermer la porte. Si le nœud de la corde se défait, vous risquez de tomber.

1. Insérez une extrémité de la corde de déclenchement d'urgence à travers la poignée. Vérifiez que « NOTICE » (AVIS) est à l'endroit. Fixez avec un nœud simple à un minimum de 2,5 cm (1 po) de l'extrémité de la corde pour éviter qu'elle glisse.
2. Insérez l'autre extrémité de la corde de déclenchement d'urgence dans le trou du bras de déclenchement du chariot. Montez le déclenchement d'urgence à portée de main, mais à au moins 1,83 m (6 pi) au-dessus du sol, en évitant tout contact avec les véhicules pour éviter un déclenchement accidentel, puis fixez-le avec un nœud plat.

**REMARQUE :** Si vous devez couper la corde de déclenchement d'urgence, arrêtez l'extrémité coupée avec une allumette ou un briquet pour éviter qu'elle ne s'effiloche. Vérifiez que la corde et la poignée de déclenchement d'urgence se trouvent au-dessus du toit de tous les véhicules pour éviter tout enchevêtrement éventuel.



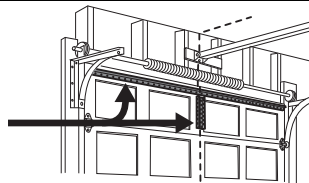
# Installation

## 7 Installation des supports de fixation au plancher

### ⚠ ATTENTION

Les portes de garage en fibre de verre, en aluminium, acier, portes avec panneau de verre, etc.) (non fourni). Une entretoise de renfort horizontale doit être suffisamment longue pour être fixée à deux ou trois supports verticaux. Un renfort vertical doit couvrir la hauteur du panneau supérieur. Contactez le fabricant de la porte de garage ou le revendeur qui s'est chargé de l'installation pour obtenir des instructions sur un renfort d'ouvre-porte ou un kit de renfort.

Un renfort horizontal et vertical est nécessaire pour les portes de garage légères (fibre de verre, aluminium, acier, portes avec panneau de verre, etc.) (non fourni). Une entretoise de renfort horizontale doit être suffisamment longue pour être fixée à deux ou trois supports verticaux. Un renfort vertical doit couvrir la hauteur du panneau supérieur. Contactez le fabricant de la porte de garage ou le revendeur qui s'est chargé de l'installation pour obtenir des instructions sur un renfort d'ouvre-porte ou un kit de renfort.



**REMARQUE :** De nombreux kits de renfort de porte permettent de fixer directement l'axe à épaulement et le bras de porte. Dans ce cas, vous n'aurez pas besoin du support de porte; passez directement à l'étape suivante.

### PORTE SECTIONNELLE

1. Centrez le support de porte sur la ligne médiane verticale que vous avez tracée auparavant et utilisée pour installer le support de linteau. Notez que le placement correct est vers le HAUT, tel qu'indiqué à l'intérieur du support.
2. Positionnez le bord supérieur du support entre 5 et 10 cm (2 et 4 po) sous le bord supérieur de la porte OU directement sous tout support de structure du dessus de la porte.
3. Marquez des trous et percez-les, puis procédez à l'installation comme suit, selon la construction de votre porte :

### Portes métalliques ou légères utilisant une équerre verticale dans le support de panneau de porte et le support de porte :

- Percez des trous de fixation de 3/16 po. Fixez le support de porte à l'aide des vis autotaraudeuses. (Figure 1)
- Dans l'alternative, utilisez deux boulons de 5/16 po - 18 x 2 po, des rondelles d'arrêt et des écrous (non fournis). (Figure 2)

### Portes métalliques, isolées ou légères renforcées en usine :

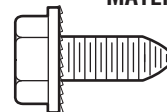
- Percez des trous de fixation de 3/16 po. Fixez le support de porte à l'aide des vis autotaraudeuses. (Figure 3)

### Portes en bois :

- Utilisez les trous du support de porte haut et bas ou côte à côte. Percez des trous de 5/16 po à travers la porte et fixez le support avec des boulons ordinaires 5/16 po-18 x 2 po, des rondelles d'arrêt et des écrous (non fournis). (Figure 4)

**REMARQUE :** Les vis autotaraudeuses 1/4 po - 14 x 5/8 po ne sont pas destinées à être utilisées sur des portes en bois.

### MATÉRIEL



Vis autotaraudeuse  
1/4 po - 14 x 5/8 po

FIGURE 1

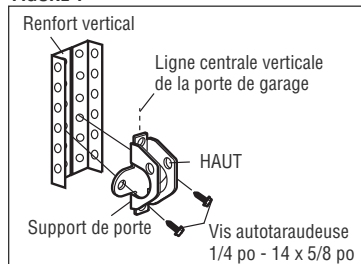


FIGURE 2

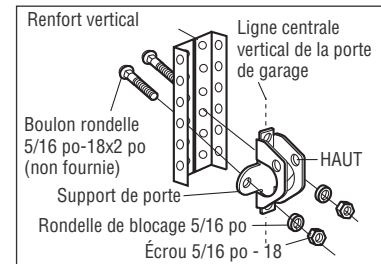


FIGURE 3

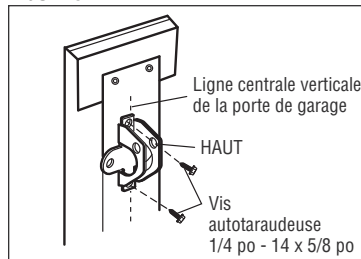
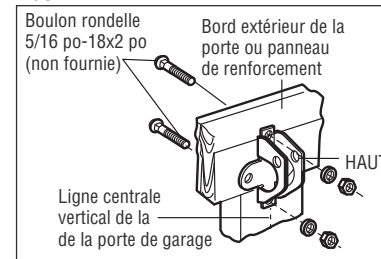


FIGURE 4



# Installation

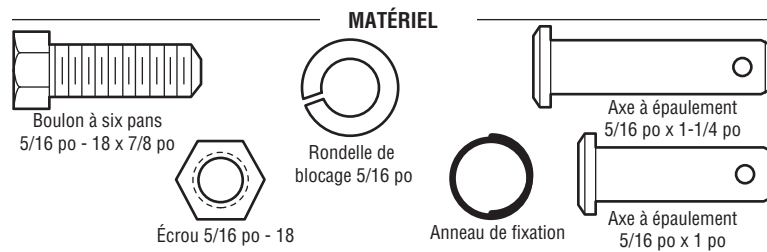
## 8 Connectez le bras de porte au chariot

**IMPORTANT** : La rainure du bras de porte droit **DOIT** faire face à l'opposé du bras de porte incurvé.

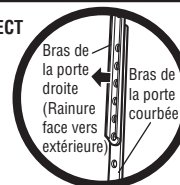
1. Fermez la porte. Déconnectez le chariot en tirant sur la poignée de déclenchement d'urgence. Glisse le chariot extérieur vers l'arrière (loin de la porte) d'environ 5 cm (2 po).
2. Fixez le bras droit de la porte au chariot extérieur à l'aide de l'axe à épaulement. Fixez-le avec l'anneau de fixation.
3. Fixez le bras de porte incurvé au support de porte à l'aide de l'axe à épaulement. Fixez-le avec l'anneau de fixation.
4. Alignez le bras de porte droit avec le bras de porte incurvé. Choisissez deux trous alignés (qui sont le plus loin possible l'un de l'autre) et fixez en utilisant les boulons, les écrous et les rondelles d'arrêt.

**REMARQUE** : Si les trous ne s'alignent pas, inversez le bras de porte droit. Choisissez deux trous alignés (qui sont le plus loin possible l'un de l'autre) et fixez en utilisant les boulons, les écrous et les rondelles d'arrêt.

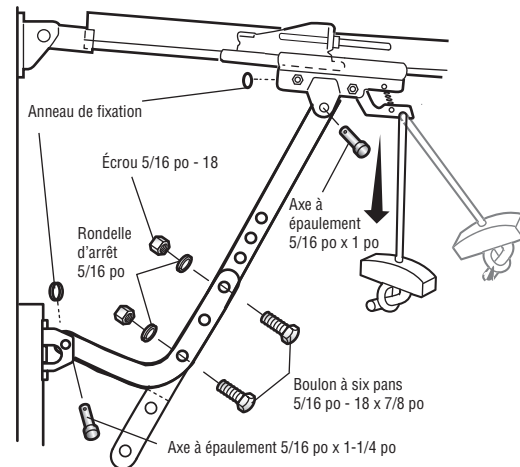
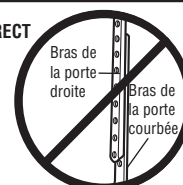
5. Tirez la poignée de déclenchement d'urgence vers l'ouvre-porte de garage jusqu'à ce que le bras de déclenchement du chariot soit horizontal. Le chariot se réengage automatiquement lorsque l'ouvre-porte de garage est activé.



**CORRECT**



**INCORRECT**



# Panneau de commande

## 1 Installer le panneau de commande

### **AVERTISSEMENT**

Pour éviter d'éventuelles BLESSURES GRAVES voire MORTELLES par électrocution :

- Vérifiez que l'alimentation n'est PAS branchée AVANT d'installer le panneau de commande.
- Connectez le panneau de commande UNIQUEMENT aux fils basse tension de 12 VOLTS.

Pour éviter d'éventuelles BLESSURES GRAVES voire MORTELLES causées par la fermeture d'une porte de garage :

- Installez le panneau de commande à portée de vue de la porte de garage, hors de portée des jeunes enfants, à une hauteur minimale de 5 pieds (1,5 m) au-dessus du sol, des paliers, des marches ou de toute autre surface de marche adjacente, et loin de TOUTES les pièces mobiles de la porte.
- N'autorisez JAMAIS des enfants à utiliser ou jouer avec les boutons du panneau de commande ou les émetteurs de la télécommande.
- Activez la porte UNIQUEMENT lorsqu'elle est clairement visible, qu'elle est correctement réglée et qu'il n'y a pas d'obstacles au déplacement de la porte.
- Gardez TOUJOURS la porte de garage en vue jusqu'à ce qu'elle soit complètement fermée. Ne permettez JAMAIS à quiconque de passer la ligne de la porte de garage lorsqu'elle est en train de se fermer.

## INTRODUCTION

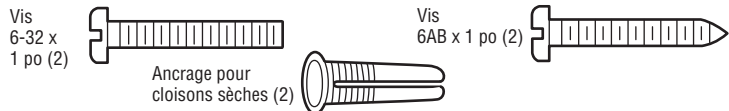
Compatible avec les accessoires myQ® et Security+ 2.0, voir page 36. Votre ouvre-porte de garage est compatible avec un maximum de 2 panneaux de commande intelligents ou 4 autres panneaux de commande Security+ 2.0.

**REMARQUE:** Les panneaux de commande plus anciens et les produits tiers ne sont pas compatibles.

Installez la commande de porte à portée de vue de la porte de garage, hors de portée des jeunes enfants, à une hauteur minimale de 1,5 m (5 pi) au-dessus du sol, des paliers, des marches ou de toute autre surface de marche adjacente, et loin de TOUTES les pièces mobiles de la porte. Pour les installations d'une boîte de commande, il n'est pas nécessaire de percer des trous ou d'installer des ancrages pour cloisons sèches. Utilisez les trous existants de la boîte de commande.

**REMARQUE :** Il est possible que votre produit soit différent des illustrations.

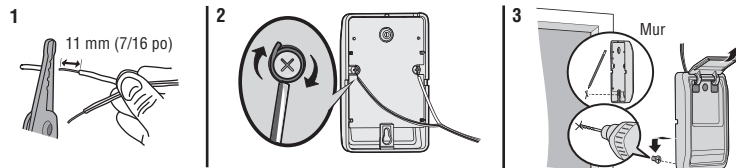
### MATÉRIEL



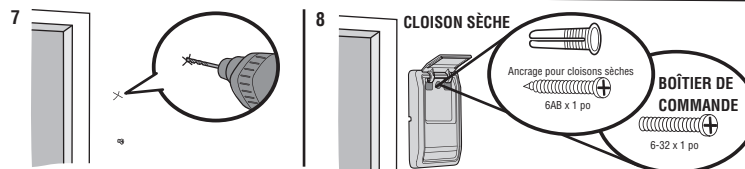
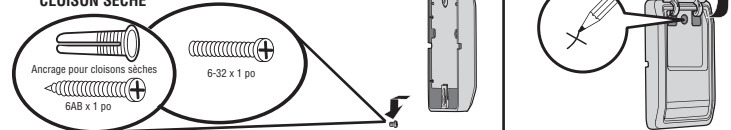
1. Dénudez 11 mm (7/16 po) d'isolant à une extrémité du fil et séparez les fils.
2. Connectez un fil à chacune des deux vis à l'arrière du panneau de commande. Les fils peuvent être connectés à l'une ou l'autre des vis.

**INSTALLATIONS PRÉ-CÂBLÉES :** Choisissez deux fils à connecter, notez les fils utilisés afin que les bons fils soient connectés à l'ouvre-porte de garage lors d'une étape ultérieure.

3. Marquez l'emplacement du trou de montage inférieur et percez un trou de 5/32 po.
4. Installez la vis inférieure, en laissant 1/8 po (3 mm) dépasser du mur.
5. Positionnez le trou inférieur du panneau de commande sur la vis et faites-le glisser en place.
6. Soulevez la barre de poussée et marquez le trou supérieur.
7. Retirez le panneau de commande du mur et percez un trou de 5/32 po pour la vis du haut.
8. Positionnez le trou inférieur du panneau de commande sur la vis et faites-le glisser en place. Fixez la vis supérieure.



### 4-5 CLOISON SÈCHE BOÎTIER DE COMMANDE

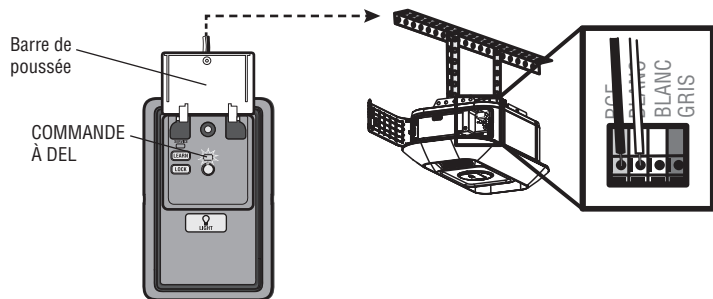


# Panneau de commande

## 2 Câbler le panneau de commande à l'ouvre-porte de garage

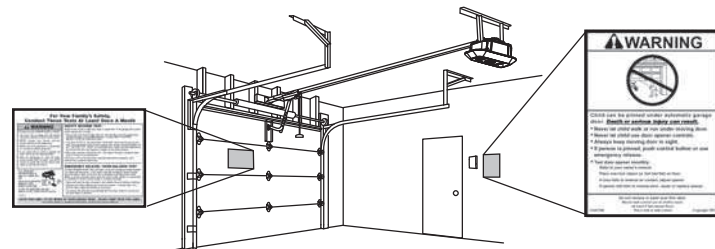
**INSTALLATIONS PRÉ-CÂBLÉES :** Lors du câblage du panneau de commande à l'ouvre-porte de garage, veuillez à utiliser les mêmes fils que ceux qui sont connectés au panneau de commande.

1. Faites passer le fil blanc et rouge/blanc du panneau de commande à l'ouvre-porte de garage. Fixez le fil au mur et au plafond avec l'agrafe (ne s'applique pas aux boîtes de commande ou aux installations pré-câblées). Ne percez pas le fil avec l'agrafe car ceci risquerait de créer un court-circuit ou un circuit ouvert.
2. Dénudez 11 mm (7/16 po) d'isolant à l'extrémité du fil, près de l'ouvre-porte de garage.
3. Connectez le fil aux bornes rouge et blanche de l'ouvre-porte de garage. Pour insérer ou libérer les fils de la borne, enfoncez la languette avec la pointe d'un tournevis.



## 3 Fixer les étiquettes d'avertissement

1. Fixez l'étiquette d'avertissement de piégeage sur le mur, près de le panneau de commande, avec des punaises ou des agrafes.
2. Fixez l'étiquette de test de déclenchement manuel/d'inversion de sécurité à un endroit visible à l'intérieur de la porte de garage.



# Installer le Protector System®

## Introduction

### AVERTISSEMENT

Vérifiez que l'alimentation n'est PAS connectée à l'ouvre-porte de garage AVANT d'installer le capteur d'inversion de sécurité.

Pour éviter des BLESSURES GRAVES voire MORTELLES en fermant la porte de garage :

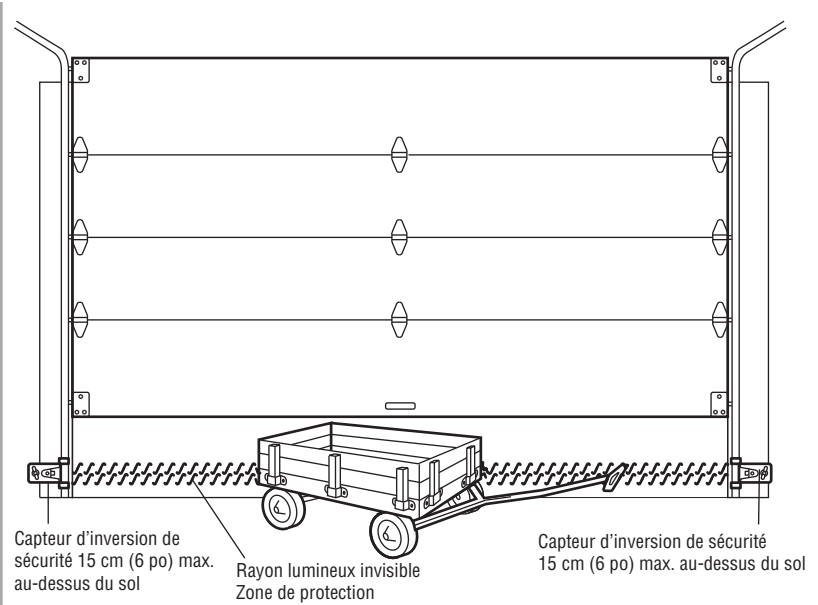
- Raccordez et alignez correctement le capteur d'inversion de sécurité. Ce dispositif de sécurité requis NE DOIT PAS être désactivé.
- Installez le capteur d'inversion de sécurité de sorte que le faisceau ne soit PAS à une HAUTEUR SUPÉRIEURE à 15 cm (6 po) du sol du garage.

**IMPORTANT : Les capteurs d'inversion de sécurité DOIVENT être connectés et alignés correctement avant que l'ouvre-porte de garage ne se déplace vers le bas.**

Le Protector System® comprend deux capteurs d'inversion de sécurité qui utilisent un faisceau lumineux pour empêcher la fermeture de la porte de garage. Le capteur émetteur (DEL orange) transmet le faisceau au capteur récepteur (DEL verte) lorsque les deux sont alimentés et alignés. Le capteur récepteur (DEL verte) est muni d'une étiquette sur le capteur pour l'identifier comme le capteur récepteur avant qu'il soit mis en fonction. Si un obstacle brise le faisceau lumineux pendant la fermeture de la porte, la porte s'arrête, puis retourne en position complètement ouverte, .

**En installant les capteurs d'inversion de sécurité, vérifiez ce qui suit :**

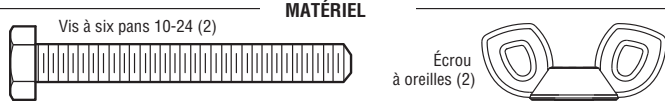
- Les capteurs sont installés À L'INTÉRIEUR du garage.
- Les lentilles des capteurs se font face. **IMPORTANT : Ne laissez pas la lumière directe du soleil atteindre le capteur (LED verte).**
- Le faisceau du capteur n'est PAS à une HAUTEUR SUPÉRIEURE à 15,2 cm (6 po) du sol et le faisceau lumineux n'est pas obstrué.
- Le capteur récepteur est muni d'une étiquette d'avertissement au dos.





# Installer le Protector System®

## 1 Installer les capteurs d'inversion de sécurité

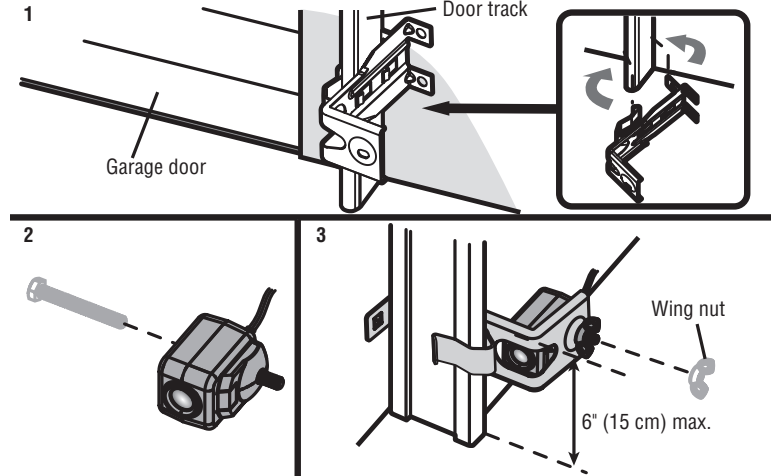


Les capteurs d'inversion de sécurité sont conçus pour se clipser sur le rail de la porte avec les supports de capteur fournis. Si le rail de porte ne supporte pas le support du capteur, une installation murale est recommandée. Le faisceau du capteur ne doit PAS être à une HAUTEUR SUPÉRIEURE à 6 po (15 cm) au-dessus du sol.

### INSTALLATION DU RAIL DE PORTE

1. Faites glisser le bras courbe/clip du support de capteur autour du bord du rail de porte. Enclenchez-le de manière à ce que le support du capteur affleure le rail.
2. Faites glisser la vis à six pans à travers le capteur.
3. Fixez le capteur au support avec l'écrou à oreilles. Vérifiez que l'objectif n'est pas obstrué par le support.

Répétez les étapes avec l'autre capteur sur le rail de porte opposé. Les deux lentilles doivent se faire face.

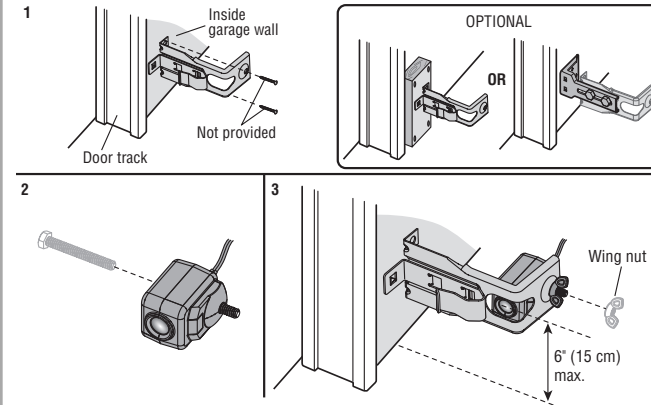


### INSTALLATION MURALE

Assurez-vous que les supports de chaque côté sont éloignés du rail de la porte et ont le même dégagement afin que les capteurs s'alignent correctement. Si un dégagement supplémentaire est nécessaire, utilisez des supports d'extension 041A5281-1 (non fournis) ou des blocs de bois.

1. Fixez le support du capteur contre le mur avec deux tirefonds (non fournis).
2. Faites glisser la vis à six pans à travers le capteur.
3. Fixez le capteur au support avec l'écrou à oreilles. Vérifiez que l'objectif n'est pas obstrué par le support.

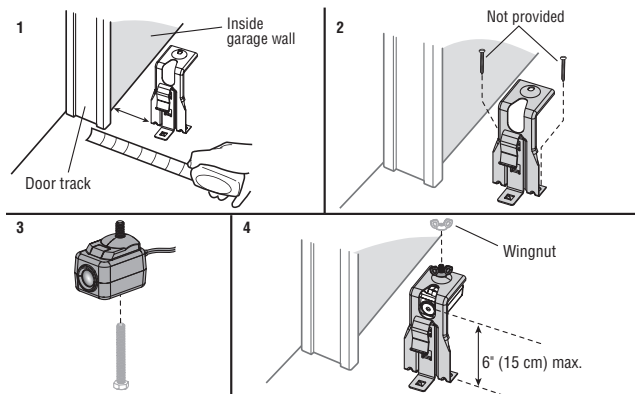
Répétez les étapes avec l'autre capteur sur le côté opposé de la porte de garage. Les deux lentilles doivent se faire face.



# Installer le Protector System®

## INSTALLATION AU SOL

1. Mesurez la position des deux supports de capteur afin qu'ils soient à la même distance du mur et sans obstruction.
  2. Fixez le support au sol avec des chevilles à béton (non fournies).
  3. Faites glisser la vis à six pans à travers le capteur.
  4. Fixez le capteur au support avec l'écrou à oreilles. Vérifiez que l'objectif n'est pas obstrué par le support.
- Répétez les étapes avec l'autre capteur sur le côté opposé de la porte de garage. Les deux lentilles doivent se faire face.

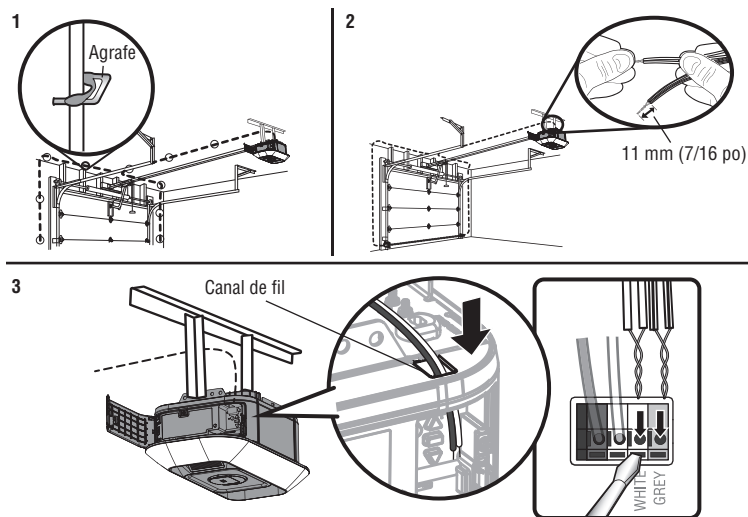


## 2 Câbler les capteurs d'inversion de sécurité

**INSTALLATIONS PRÉ-CÂBLÉES :** Si votre garage est déjà équipé de fils pour les capteurs d'inversion de sécurité, voir page 27.

### OPTION A - INSTALLATION SANS PRÉ-CÂBLAGE

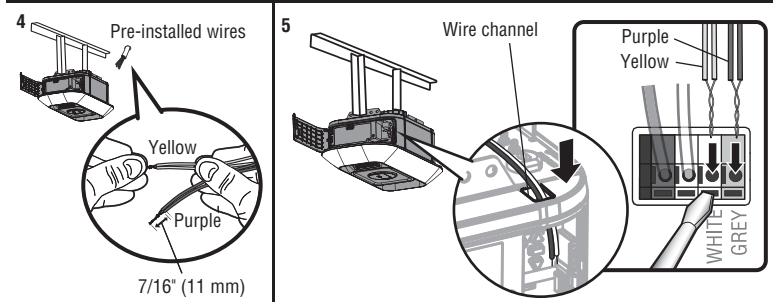
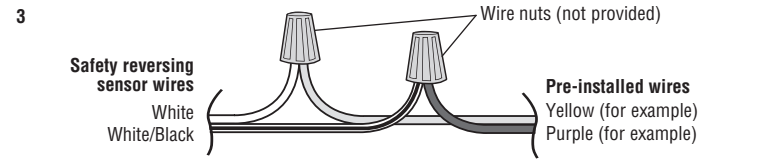
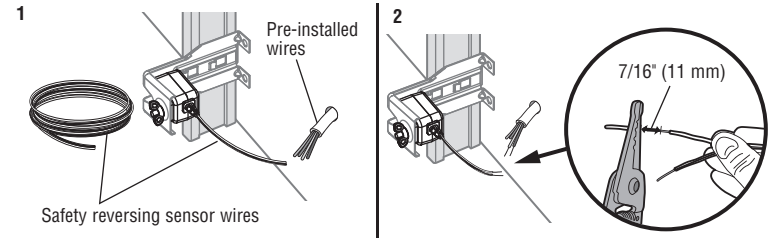
1. Faites passer le fil des deux capteurs à l'ouvre-porte de garage. Fixez avec des agrafes, mais NE percez PAS le fil.
2. Séparez les fils du capteur et dénudez l'isolant à chaque extrémité. Torsadez les deux fils blancs ensemble. Torsadez ensuite les deux fils blanc/noir ensemble.
3. À l'aide d'un tournevis, enfoncez les languettes des bornes et insérez les fils blancs dans la borne blanche. Insérez les fils blanc/noir dans la borne grise.



# Installer le Protector System®

## OPTION B - INSTALLATION PRÉCÂBLÉE

1. Coupez les fils du capteur, en vous assurant qu'il y a une longueur suffisante de fil pour atteindre les fils préinstallés du mur.
2. Séparez les fils du capteur et dénudez l'isolant à chaque extrémité. Choisissez deux des fils préinstallés et dénudez l'isolant à chaque extrémité. Choisissez les fils préinstallés de la même couleur pour chaque capteur.
3. Connectez les fils préinstallés aux fils du capteur avec des serre-fils en vous assurant que les couleurs correspondent pour chaque capteur.
4. Au niveau de l'ouvre-porte de garage, dénudez l'extrémité des fils connectés auparavant aux capteurs. Torsadez les fils de même couleur ensemble.
5. À l'aide d'un tournevis, enfoncez les languettes des bornes et insérez la couleur du fil connecté au fil blanc du capteur dans la borne blanche. Insérez l'autre couleur de fil connecté au fil blanc/noir du capteur dans la borne grise.



# Alimentation

## 1 Connecter l'alimentation

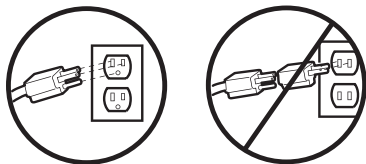
### **AVERTISSEMENT**

Pour éviter les risques de BLESSURES GRAVES voire MORTELLES par électrocution ou incendie :

- Assurez-vous que le courant n'est PAS connecté à l'ouvre-porte, et débranchez le courant du circuit AVANT de retirer le couvercle pour établir une connexion permanente.
- L'installation et le câblage de la porte de garage DOIVENT être conformes à TOUS les codes électriques et de construction locaux.
- N'utilisez JAMAIS de rallonge, d'adaptateur à 2 fils ou ne modifiez en AUCUN cas la fiche pour l'adapter à la prise. Assurez-vous que l'ouvre-porte est mis à la terre.

Pour éviter les difficultés d'installation, assurez-vous de ne pas faire fonctionner l'ouvre-porte à ce moment-là.

Pour réduire le risque de choc électrique, votre ouvre-porte de garage est équipé d'une fiche de type mise à la terre avec une troisième goupille de mise à la terre. Cette fiche rentre seulement dans une prise de terre. Si la fiche ne rentre pas dans la prise, communiquer avec un électricien qualifié pour faire installer une prise adéquate.

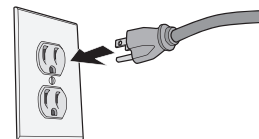


IL EXISTE DEUX OPTIONS POUR CONNECTER L'ALIMENTATION :

### OPTION A - CÂBLAGE TYPIQUE

1. Branchez l'ouvre-porte de garage dans une prise de courant mise à la terre.
2. Ne faites PAS fonctionner l'ouvre-porte de garage à ce moment-là.

#### CÂBLAGE TYPIQUE

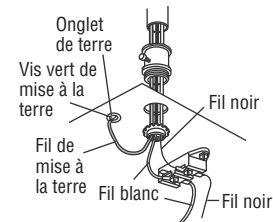


### OPTION B - CÂBLAGE PERMANENT

Si un câblage permanent est requis par votre code local, consultez la procédure suivante. Pour effectuer une connexion permanente à travers le trou de 7/8 po dans le haut du bloc moteur (selon le code local) :

1. Retirez les vis du couvercle du bloc moteur et mettez le couvercle de côté.
2. Retirez le cordon à trois broches qui y est attaché.
3. Connectez le fil noir (phase) à la vis de la borne en laiton; le fil blanc (neutre) à la vis de la borne argentée; et le fil de terre à la vis de terre verte. L'ouvre-porte doit être mis à la terre.
4. Réinstallez le couvercle.

#### CÂBLAGE PERMANENT

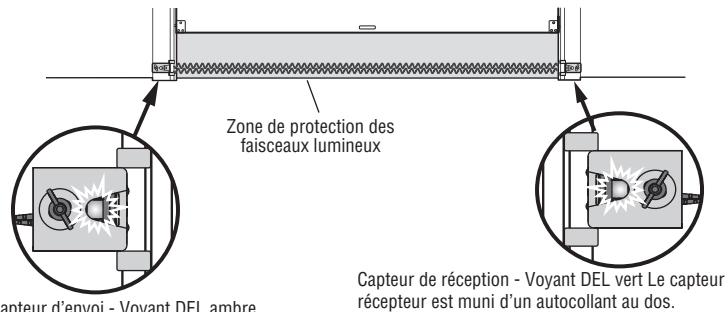


# Alimentation

## 2 Aligner les capteurs d'inversion de sécurité

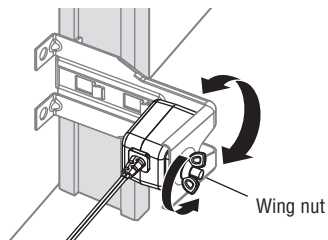
**IMPORTANT :** Les capteurs d'inversion de sécurité **DOIVENT** être connectés et alignés correctement avant que l'ouvre-porte de garage ne se déplace vers le bas.

Lorsque l'ouvre-porte de garage est alimenté en électricité, vérifiez les capteurs d'inversion de sécurité. Si les capteurs sont alignés et câblés correctement, les deux voyants à DEL s'allument en continu.



Pour aligner les capteurs d'inversion de sécurité :

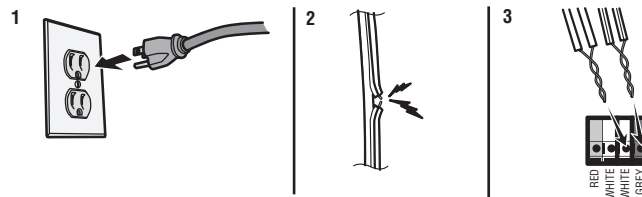
1. Desserrez les écrous à oreilles.
2. Ajustez les capteurs vers le haut ou vers le bas jusqu'à ce que les deux voyants à DEL s'allument de manière continue, indiquant l'alignement.
3. Serrez l'écrou à oreilles pour fixer le capteur.



## DÉPANNAGE DU CAPTEUR DE SÉCURITÉ

Si l'un des voyants à DEL du capteur est éteint, le capteur n'est pas alimenté :

1. Vérifiez que l'ouvre-porte de garage est alimenté en électricité.
2. Vérifiez que le fil du capteur n'est pas court-circuité ou cassé.
3. Vérifiez que les capteurs sont correctement câblés; les fils blancs sur la borne blanche et les fils blancs/noirs sur la borne grise.



Si le voyant à DEL vert du capteur de réception clignote, les capteurs sont obstrués ou mal alignés :

1. Vérifiez que le faisceau lumineux du capteur n'est pas obstrué.
2. Alignez les capteurs.
3. Si le capteur de réception (DEL vert) fait face à la lumière directe du soleil, interchangez le capteur de réception avec le capteur d'envoi et répétez l'étape 1. Installez les capteurs d'inversion de sécurité en page 25 pour assurer un fonctionnement adéquat.

## 3 S'assurer que le panneau de commande est correctement câblé

Si le panneau de commande a été installé et câblé correctement, le voyant de commande situé derrière la barre de commande clignote.

# Ajustements

## 1 - Programmez le déplacement

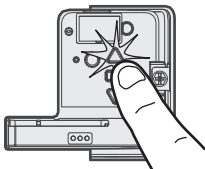
### **AVERTISSEMENT**

Si le capteur d'inversion de sécurité n'est pas installé correctement, les personnes (en particulier les jeunes enfants) peuvent SUBIR DES BLESSURES GRAVES voire MORTELLES par une porte de garage qui se ferme.

- Un réglage incorrect des limites de déplacement de la porte de garage empêchera le bon fonctionnement du système d'inversion de sécurité.
- Après TOUT réglage, le système d'inversion de sécurité DOIT être testé. La porte DOIT s'inverser au contact d'un objet d'une hauteur de 3,8 cm (1-1/2 po) (ou un 2x4 posé à plat) sur le sol.

**Remarque :** Pendant la programmation de la course, les boutons fléchés vers le HAUT et le BAS peuvent être utilisés pour déplacer la porte selon les besoins. Pendant la configuration de la force automatique, la porte s'ouvre et se ferme automatiquement.

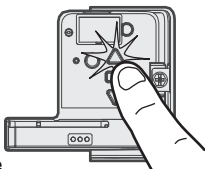
1 Appuyez sur le bouton de réglage et maintenez-le enfoncé jusqu'à ce que le bouton UP commence à clignoter et/ou qu'un bip se fasse entendre. Les capteurs d'inversion de sécurité seront déconnectés pendant le processus de programmation du déplacement.



2 Appuyez et maintenez le bouton fléché vers le HAUT jusqu'à ce que la porte soit dans la position HAUTE souhaitée.



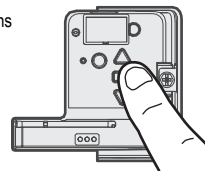
3 Lorsque la porte est dans la position HAUTE souhaitée, appuyez et relâchez le bouton de réglage. Les lumières de l'ouvre-porte de garage clignoteront deux fois et le bouton fléché vers le BAS commencera à clignoter.



4 Appuyez et maintenez le bouton fléché vers le BAS jusqu'à ce que la porte soit dans la position BASSE souhaitée.



5 Lorsque la porte est dans la position BASSE souhaitée, appuyez et relâchez le bouton de réglage. Les lumières de l'ouvre-porte de garage clignoteront deux fois. Le programme du déplacement est maintenant terminé. Si les lumières de l'ouvre-porte de garage clignotent 5 fois, la programmation est terminée et les limites de déplacement n'ont pas été réglées. Veuillez redémarrer le processus de la programmation du déplacement.



## 2 - Réglage de la force automatique

Lorsque les positions de montée et de descente ont été réglées manuellement, les capteurs d'inversion de sécurité se reconnectent et deviennent opérationnels. L'ouvre-porte entre ensuite dans une opération de détection de force en déplaçant automatiquement la porte pour l'ouvrir et la fermer. L'ouvre-porte de garage émet une alerte sonore et visuelle avant d'ouvrir et de fermer automatiquement la porte. L'ouvre-porte de garage émettra trois bips, confirmant que la configuration de la force automatique s'est déroulée avec succès. Le réglage est terminé.

Si vous entendez un long bip après que la porte ait tenté de se déplacer, cela signifie que le réglage de la force automatique ne s'est pas déroulé correctement. Veuillez recommencer à l'étape 1 de Programmer le déplacement.



# Ajustements

## 3 - Testez le système d'inversion de sécurité

### AVERTISSEMENT

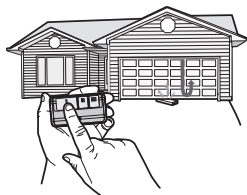
Si le capteur d'inversion de sécurité n'est pas installé correctement, les personnes (en particulier les jeunes enfants) peuvent SUBIR DES BLESSURES GRAVES voire MORTELLES par une porte de garage qui se ferme.

- Le système d'inversion de sécurité DOIT être testé tous les mois.
- Après TOUT réglage, le système d'inversion de sécurité DOIT être testé. La porte DOIT s'inverser au contact d'un objet de 3,8 cm (1-1/2 po) de haut (ou 2x4 posé à plat) sur le sol.

1 La porte étant complètement ouverte, placez une planche de 3,8 cm (1 1/2 po) ou un 2x4 posé à plat sur le sol, centré(e) sous la porte du garage.



2 Appuyez sur le bouton poussoir de la télécommande pour fermer la porte. La porte DOIT s'inverser lorsqu'elle entre en contact avec la planche.



Si la porte s'arrête mais ne se réouvre pas :

1. Répétez la programmation du déplacement (voir l'étape de réglage 1) ;
2. Répétez le test d'inversion de sécurité.

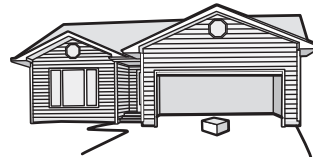
Si le test continue d'échouer, appelez un technicien qualifié en systèmes de portes.

## 4 - Testez le Protector System®

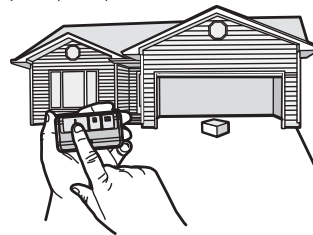
### AVERTISSEMENT

Si le capteur d'inversion de sécurité n'est pas installé correctement, les personnes (en particulier les jeunes enfants) peuvent SUBIR DES BLESSURES GRAVES voire MORTELLES causées pas une porte de garage qui se ferme.

1 Ouvrez la porte. Placez un obstacle sur le chemin de la porte.



2 Appuyez sur le bouton poussoir de la télécommande pour fermer la porte. La porte ne bougera pas de plus d'un pouce (2,5 cm).



L'ouvre-porte de garage ne se fermera pas à partir d'une télécommande si le témoin lumineux de l'un ou l'autre des capteurs est éteint (ce qui vous avertit du fait que le capteur est mal aligné ou obstrué).

Si l'ouvre-porte de garage ferme la porte lorsque le capteur d'inversion de sécurité est obstrué (et que les capteurs ne sont pas à plus de 15 cm [6 po] du sol), appelez un technicien qualifié en systèmes de portes.

# Batterie de secours\*

## 1 Installation des batteries

### ⚠ AVERTISSEMENT

Pour réduire les risques d'INCENDIE ou de BLESSURE CORPORELLE :

- Débranchez TOUTE l'alimentation électrique et la batterie AVANT d'effectuer TOUT entretien ou toute maintenance.
- Utilisez SEULEMENT le no de pièce 485LM de LiftMaster pour remplacer la batterie.
- NE PAS jeter les batteries au feu. La batterie peut exploser. Vérifiez les codes locaux pour les instructions d'élimination.

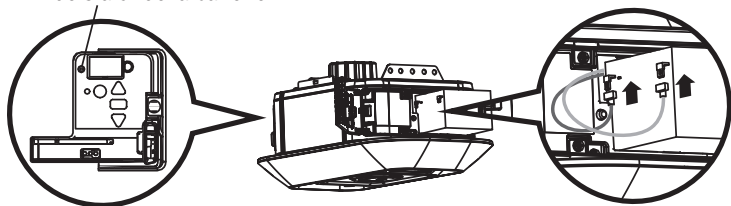
### ⚠ ATTENTION

Portez TOUJOURS des gants et des lunettes de protection lorsque vous changez la batterie ou que vous travaillez autour du compartiment de la batterie.

La serrure automatique de la porte du garage se déverrouille lorsque la porte du garage est ouverte et demeure désactivée jusqu'à ce que le courant soit rétabli\*.

1. Débranchez l'ouvre-porte de garage.
2. Ouvrez la porte du panneau de commande.
3. Insérez partiellement la batterie dans son compartiment, les bornes tournées vers la droite, comme indiqué.
4. Connectez les fils rouge (+) et noir (-) de l'ouvre-porte de garage aux bornes correspondantes de la batterie.
5. Insérez complètement la batterie et fermez le panneau de la porte de commande.

DEL de statut de la batterie

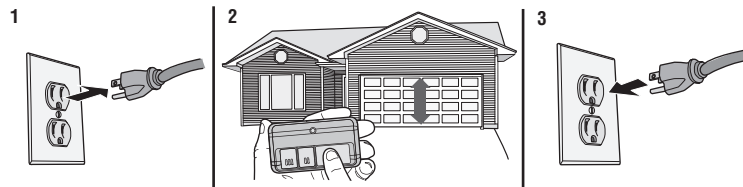


\* Le cas échéant.

## 2 Test de la batterie

Selon le niveau de puissance, il se peut que la batterie doive être rechargée avant d'effectuer le test. L'ouvre-porte de garage doit être débranché pour tester la batterie.

1. Débranchez l'ouvre-porte de garage. Le voyant à DEL de l'état de la batterie soit s'allumera en orange continu pour indiquer que l'ouvre-porte fonctionne batterie soit clignotera pour indiquer que la batterie est faible.  
**REMARQUE :** Assurez-vous que l'ouvre-porte de garage est débranché.
2. Ouvrez et fermez la porte à l'aide de la télécommande ou du panneau de commande. **REMARQUE :** L'ouvre-porte de garage peut fonctionner plus lentement si la batterie n'est pas complètement chargée. La batterie mettra 24 heures à se charger complètement.
3. Ouvrez et fermez la porte à l'aide de la télécommande ou du panneau de commande. Pendant que le moteur est en marche, le voyant DEL d'état de la batterie s'allume en orange fixe, indiquant que l'ouvre-porte fonctionne sur la batterie, ou clignote pour indiquer que la batterie est faible. **REMARQUE :** L'ouvre-porte de garage peut fonctionner plus lentement si la batterie n'est pas complètement chargée.
4. Branchez l'ouvre-porte du garage. Vérifiez que le voyant à DEL de la batterie clignote en vert, indiquant que la batterie est en cours de chargement.



## 3 Recharger la batterie

La batterie se charge lorsque l'ouvre-porte de garage est branché dans une prise électrique de 120 Vca qui a du courant et il faut 24 heures pour la charger complètement. Une batterie entièrement chargée fournit 12 VCC à l'ouvre-porte de garage pour un maximum de 24 heures pendant une panne de courant. Suite au rétablissement du courant électrique, la batterie se recharge en 24 heures. La batterie durera environ 1 à 2 ans dans des conditions normales d'utilisation.

**REMARQUE :** Lorsque l'ouvre-porte de garage est en mode batterie de secours, les lumières de l'ouvre-porte de garage, la minuterie de fermeture, la fermeture à distance et les fonctions de la caméra ne sont pas disponibles.

En mode batterie de secours, la serrure automatique de porte de garage se déverrouille lorsque la porte de garage est ouverte et reste désactivée jusqu'à ce que le courant soit rétabli\*.

\* Le cas échéant.



# Batterie de secours\*

## DEL de statut de la batterie

### DEL VERTE :

Tous les systèmes sont normaux.

- Un voyant DEL vert indique que la batterie est entièrement chargée.
- Un voyant DEL vert clignotant indique que la batterie est en cours de chargement.

### DEL ORANGE :

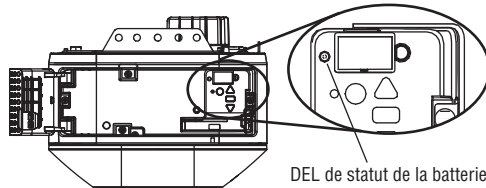
L'ouvre-porte de garage a perdu de l'énergie et est en mode de secours par batterie.

- Le voyant à DEL orange, lorsque le moteur est en marche, indique que l'ouvre-porte de garage fonctionne sur batterie.
- Un voyant à DEL orange clignotant, lorsque le moteur est en marche, indique que la batterie est faible.
- L'ouvre-porte émet un bip toutes les 2 secondes lorsqu'il fonctionne sur batterie.

### DEL ROUGE :

La batterie doit être remplacée.

- Un voyant rouge indique que la batterie ne peut plus être rechargée. Achetez une batterie de remplacement pour permettre à votre système de fonctionner lors de panne d'électricité.



DEL de statut de la batterie

\* Le cas échéant.

# CONSIGNES DE SÉCURITÉ IMPORTANTES

## AVERTISSEMENT

### Pour réduire le risque de BLESSURES GRAVES voire MORTELLES :

1. LISEZ ET SUIVEZ TOUS LES AVERTISSEMENTS ET TOUTES LES INSTRUCTIONS.
2. Gardez TOUJOURS les télécommandes hors de portée des enfants. Ne permettez JAMAIS aux enfants de manipuler ou de jouer avec les boutons-poussoirs ou les télécommandes de la porte de garage.
3. N'activez la porte du garage QUE lorsqu'elle est bien visible, qu'elle est correctement réglée et qu'il n'y a pas d'obstacles à son déplacement.
4. Gardez TOUJOURS la porte de garage en vue et loin des personnes et des objets jusqu'à ce qu'elle soit complètement fermée. NE TRAVERSEZ JAMAIS LA PORTE LORSQU'ELLE EST EN MOUVEMENT.
5. PERSONNE NE DEVRAIT PASSER SOUS UNE PORTE ARRÊTÉE OU PARTIELLEMENT OUVERTE.
6. Dans la mesure du possible, utilisez UNIQUEMENT la poignée de déclenchement d'urgence pour désengager le chariot lorsque la porte du garage est FERMÉE. Soyez prudent lorsque vous utilisez cette poignée pendant que la porte est ouverte. Des ressorts abîmés ou une porte incorrectement calibrée pourraient entraîner une chute rapide ou inattendue d'une porte ouverte et augmenter le risque de BLESSURE GRAVE ou FATALE.
7. N'utilisez JAMAIS la poignée de déclenchement d'urgence avant que toutes les personnes et les obstacles aient été retirés du trajet qu'elle suivra.
8. N'utilisez JAMAIS la poignée pour ouvrir ou fermer la porte du garage. Si le nœud de la corde se défait, vous risquez de tomber.
9. Après TOUT réglage, le système d'inversion de sécurité DOIT être testé.
10. Le système d'inversion de sécurité DOIT être testé tous les mois. La porte DOIT s'inverser au contact d'un objet de 3,8 cm (1-1/2 po) de haut (ou 2x4 posé à plat) sur le sol. Une installation inadéquate de l'ouvre-porte de garage augmente le risque de BLESSURE GRAVE ou MORTELLE.
11. GARDEZ TOUJOURS LA PORTE DE GARAGE BIEN ÉQUILIBRÉE (voir page 4). Une porte mal équilibrée risque de ne PAS s'inverser lorsque cela est nécessaire et pourrait entraîner des BLESSURES GRAVES voir MORTELLES.
12. TOUTES les réparations de câbles, ressorts et autre matériel, qui sont TOUS sous une tension EXTRÊME, DOIVENT être effectuées par un technicien en systèmes de portes qualifié.
13. Pour éviter les interférences avec le bon fonctionnement de l'ouvre-porte de garage, lorsque vous utilisez une machine à souder dans le garage, débranchez l'ouvre-porte de garage avant de faire fonctionner la machine à souder.
- 14.
15. Ce système de commande est équipé d'une fonction de fonctionnement sans surveillance. La porte pourrait bouger de façon inattendue. NE TRAVERSEZ JAMAIS LA PORTE LORSQU'ELLE EST EN MOUVEMENT.
16. Ne l'installez PAS sur une porte monobloc si vous utilisez des dispositifs ou des fonctionnalités permettant une fermeture sans surveillance. Les dispositifs et fonctionnalités sans surveillance doivent être utilisés UNIQUEMENT avec des portes sectionnelles.

## 17. CONSERVER CES INSTRUCTIONS.

# Fonctionnement

## Caractéristiques

Votre ouvre-porte de garage est équipé de fonctions qui vous permettent de mieux contrôler le fonctionnement de votre porte de garage.

### ALERT2CLOSE

La fonction Alert2Close fournit une alerte visuelle et sonore indiquant qu'une porte non surveillée est en train de se fermer.

### MINUTERIE DE FERMETURE (TTC)\*.

La fonction TTC ferme automatiquement la porte après une période de temps déterminée qui peut être réglée à l'aide d'un panneau de commande TTC. (Modèles 881LMW ou 880LMW). Avant et pendant la fermeture de la porte, les lumières de l'ouvre-porte de garage clignotent et l'ouvre-porte de garage émet un bip.

### MYQ

myQ® vous permet de contrôler votre ouvre-porte de garage depuis votre appareil mobile, où que vous soyez. La technologie myQ® utilise un signal de 900 Mhz pour assurer une communication bidirectionnelle entre l'ouvre-porte de garage et les accessoires myQ® compatibles.

L'ouvre-porte de garage possède une passerelle interne qui lui permet de communiquer directement avec un réseau Wi-Fi® domestique et d'accéder à votre compte myQ®.

### LE PROTECTOR SYSTEM® (CAPTEURS D'INVERSION DE SÉCURITÉ)

Lorsqu'ils sont connectés et alignés correctement, les capteurs d'inversion de sécurité détectent une obstruction dans la trajectoire du faisceau infrarouge. Si un obstacle brise le faisceau infrarouge pendant la fermeture de la porte, la porte s'arrête, puis retourne en position complètement ouverte. Si la porte est complètement ouverte et que les capteurs d'inversion de sécurité ne sont pas installés ou sont mal alignés, la porte ne se fermera pas à l'aide d'une télécommande. Cependant, vous pouvez fermer la porte si vous maintenez le bouton de la commande de la porte ou du système d'accès sans clé jusqu'à ce que la porte soit complètement fermée. Les capteurs d'inversion de sécurité n'affectent pas le cycle d'ouverture. Pour plus d'informations, voir la page 24.

### LUMIÈRES

Les voyants DEL intégrés de l'ouvre-porte de garage s'allument lorsque l'ouvre-porte est initialement branché, lorsque le courant est rétabli après une interruption ou lorsque l'ouvre-porte de garage est activé. Les lumières s'éteignent automatiquement après 4 minutes et demie.

## UTILISATION DE VOTRE OUVRE-PORTE DE GARAGE

Lorsque la porte est fermée et que l'ouvre-porte de garage est activé, la porte s'ouvre. Si la porte entre en contact avec un obstacle pendant l'ouverture, la porte s'arrête, l'ouvre-porte émet des bips et les lumières clignotent 5 fois.

Lorsque la porte est dans une position autre que fermée et que l'ouvre-porte de garage est activé, la porte se ferme. Si la porte de garage entre en contact avec un obstacle pendant la fermeture, la porte s'inverse, l'ouvre-porte émet des bips et les lumières clignotent 5 fois. Cependant, vous pouvez fermer la porte si vous maintenez le bouton de la commande de la porte ou du système d'accès sans clé jusqu'à ce que la porte soit complètement fermée.

Les capteurs d'inversion de sécurité n'affectent pas le cycle d'ouverture. Le capteur d'inversion de sécurité doit être connecté et aligné correctement avant que l'ouvre-porte de garage fasse descendre la porte.

### BATTERIE DE SECOURS\*

La batterie de secours de 12 V permet d'entrer et de sortir de votre garage, même en cas de panne de courant.

Lorsque l'ouvre-porte de garage fonctionne sur batterie, l'ouvre-porte de garage fonctionnera plus lentement, la lumière ne fonctionnera pas, le voyant DEL d'état de la batterie sera orange fixe et un bip retentira toutes les 2 secondes environ.

### CAMÉRA\*

Vivez en direct ce qui se passe dans votre garage grâce à la caméra intégrée à l'ouvre-porte. Il suffit de connecter votre ouvre-porte au Wi-Fi et de créer un compte dans l'application myQ®. Pour plus d'informations, voir la page 37.

### SERRURE AUTOMATIQUE DE PORTE DE GARAGE\*

Les modèles d'ouvre-porte de garage dotés du bouclier de sécurité sont compatibles avec la serrure automatique de porte de garage LiftMaster (modèle 841LM).

\* Le cas échéant

# Fonctionnement

## Connectez-vous avec votre téléphone intelligent

L'ouvre-porte de garage Wi-Fi est compatible avec un maximum de 16 accessoires myQ®. Jusqu'à 10 dispositifs peuvent être jumelés à la passerelle interne de l'ouvre-porte de garage Wi-Fi. Ces appareils peuvent être contrôlés avec l'application myQ®. Ces accessoires comprennent toute combinaison d'ouvre-portes de garage myQ®, d'ouvre-portes de garage Wi-Fi, de commandes de lumière myQ® de dispositifs de fermeture de porte myQ® ou d'opérateurs de portes commerciales myQ®. Une passerelle Internet LiftMaster (828LM) peut être ajoutée si vous avez besoin de contrôler plus de 10 dispositifs à l'aide de l'application myQ®. Il est possible de jumeler jusqu'à 6 dispositifs à l'ouvre-porte de garage lui-même (contrôlé par l'ouvre-porte de garage via 900 MHz). Ces dispositifs comprennent toute combinaison de des commandes d'éclairage ou un moniteur de porte de garage ou de barrière myQ®.

### VOUS AUREZ BESOIN :

- Téléphone intelligent, tablette ou ordinateur portable compatible Wi-Fi
- Connexion Internet à large bande
- Un signal Wi-Fi dans le garage (2,4 GHz, 802,11b/g/n requis), voir la page 3
- Mot de passe pour votre réseau domestique (le compte principal du routeur; pas le réseau invité)
- Numéro de série myQ® situé sur l'ouvre-porte de garage

### TÉLÉCHARGEZ L'APPLICATION MYQ® POUR OUVRIR UN COMPTE ET VOUS CONNECTER

Ouvrez et fermez votre porte, recevez des alertes et définissez des horaires à partir de n'importe où. Les ouvre-portes de garage intelligents connectés reçoivent également des mises à jour logicielles afin de garantir que l'ouvre-porte dispose des dernières fonctionnalités opérationnelles.

L'ouvre-porte de garage doit effectuer un cycle complet avant d'activer la programmation Wi-Fi®.

1. Téléchargez l'application myQ®.
2. Créez un compte et connectez-vous.

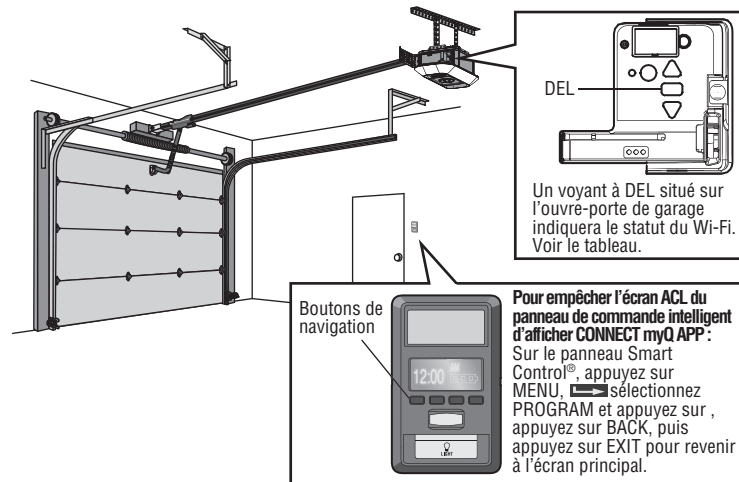
Si vous avez déjà installé l'application myQ® :

1. Vérifiez que votre appareil mobile dispose des versions les plus à jour des logiciels.
2. Téléchargez la dernière version de l'application myQ®.



Pour plus d'information sur la connexion de votre ouvre-porte de garage, consultez le site suivant support.LiftMaster.com.

Google Play et le logo Google Play sont des marques de commerce de Google LLC.  
L'App Store et les logos Apple et App Store sont des marques commerciales d'Apple Inc.



Statut Wi-Fi	
DEL	Définition
Bleu	<b>Lumière éteinte</b> - Le Wi-Fi® n'est pas activé. <b>Lumière clignotante</b> - L'ouvre-porte de garage est en mode d'apprentissage Wi-Fi®. <b>Allumé en continu</b> - L'appareil mobile est connecté à l'ouvre-porte de garage.
Bleu et Vert	<b>Clignotant</b> - Tentative de connexion au routeur.
Vert	<b>Clignotant</b> - Tentative de connexion au serveur Internet. <b>Lumière continue</b> - Le Wi-Fi® a été configuré et l'ouvre-porte de garage est connecté à Internet.

### REMARQUES :

L'application myQ® NE FONCTIONNE PAS si l'ouvre-porte de garage fonctionne sur batterie.

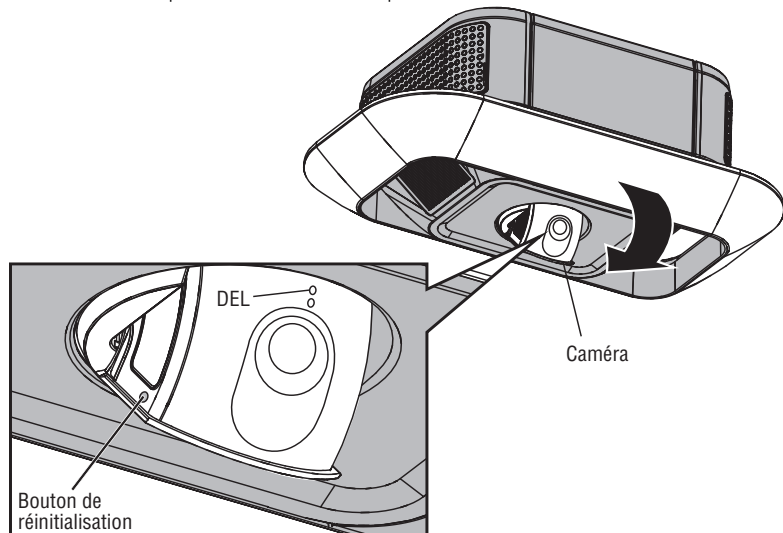
Pour effacer les paramètres Wi-Fi de l'ouvre-porte, consultez la page 1.

# Fonctionnement

## Installation de la caméra - Modèle 87504-267

1. Téléchargez l'application myQ® et créez votre compte si vous ne l'avez pas encore fait., voir page 36.
2. Suivez les instructions de l'application pour configurer et utiliser la caméra.

La caméra s'allume lorsqu'elle est ouverte et s'éteint lorsqu'elle est fermée.



État de la caméra	
DEL	Définition
Bleu clignotant	La caméra tente de se connecter à l'appareil mobile.
Bleu	La caméra est connectée à l'appareil mobile.
Bleu et vert clignotant	La caméra tente de se connecter au routeur.
Vert clignotant	La caméra est connectée au routeur et essaie de connecter au serveur myQ® server.
Vert	La caméra est connectée et fonctionne normalement.
Blanc	La caméra s'allume.
Rouge clignotant	La caméra surchauffe.
Violet clignotant	Le micrologiciel de la caméra est en cours de mise à jour.

# Fonctionnement

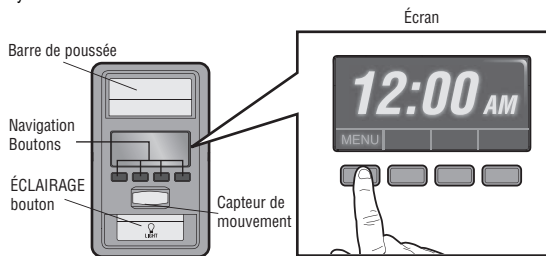
## Utilisation du panneau de commande

### SYNCHRONISER LE PANNEAU DE COMMANDE

Pour synchroniser le panneau de commande à l'ouvre-porte du garage, appuyez sur la barre de poussée jusqu'à ce que l'ouvre-porte du garage se mette en fonction (cela peut prendre jusqu'à 3 poussées). Testez le panneau de commande en appuyant sur la barre de poussée, chaque poussée sur la barre de poussée activera l'ouvre-porte du garage.

**REMARQUE :** Votre panneau de commande peut être différent des illustrations.

Il est possible de raccorder à l'ouvre-porte de garage jusqu'à 2 Smart Control Panels® ou 4 de tout autre panneaux de commande Security+ 2.0.



### BARRE DE POUSSÉE

Appuyez sur la barre de poussée pour ouvrir ou fermer la porte.

### BOUTONS DE NAVIGATION

Utilisez les boutons de navigation pour sélectionner et programmer les options.

### BOUTON LIGHT (LUMIÈRE)

Allume ou éteint les lumières de l'ouvre-porte de garage. Lorsque les lumières sont allumées, elles le demeureront jusqu'à ce que le bouton LIGHT soit enfoncé à nouveau, ou jusqu'à ce que l'ouvre-porte de garage soit activé. Une fois l'ouvre-porte de garage activé, les lumières s'éteignent après le délai précisé (le paramètre réglé en usine est de 4 minutes et demie). Le bouton d'éclairage ne permet pas de contrôler les lumières lorsque la porte est en mouvement.

### ÉCRAN\*

L'écran affiche l'heure et la température jusqu'à ce que vous appuyiez sur la touche Menu, puis il affiche les options du menu. S'il y a un problème avec l'ouvre-porte de garage, l'écran affiche le code de diagnostic. Reportez-vous à la section Dépannage.

Les fonctions suivantes sont accessibles à l'écran à l'aide des boutons de navigation :

### APPRENTISAGE D'UN APPAREIL

Programmez les télécommandes compatibles, les systèmes d'entrées sans clé et sans fil, les ouvre-portes de garage Wi-Fi ou les accessoires myQ® sur l'ouvre-porte de garage.

### VERROU

La fonction LOCK est conçue pour empêcher l'activation de l'ouvre-porte de garage à partir de télécommandes tout en permettant l'activation à partir du panneau de commande et du système d'entrée sans clé. Cette fonction est utile pour une plus grande tranquillité d'esprit lorsque la maison est vide (par ex. pour les vacances).

### MINUTERIE DE FERMETURE (TTC)\*.

N'activez PAS la TTC si vous utilisez une porte monobloc. La TTC doit être utilisée UNIQUEMENT avec les portes sectionnelles. La valeur par défaut est Désactivée. Le TTC peut être configuré pour fermer automatiquement votre porte de garage à partir de la position entièrement ouverte après une période de temps spécifiée (intervalles de 1, 5, 10 minutes ou un réglage personnalisé jusqu'à 99 minutes). Le panneau de commande émet un *bip* et les lumières de l'ouvre-porte de garage *clignotent* avant la fermeture de la porte. L'écran du panneau de commande peut afficher l'état du TTC. La TTC ne fonctionnera pas si l'ouvre-porte de garage fonctionne sur batterie ou si les capteurs d'inversion de sécurité sont désalignés. Cette fonction n'est PAS destinée à être la principale méthode de fermeture de la porte. **Un système d'entrée sans clé doit être installé en cas de verrouillage accidentel lors de l'utilisation de cette fonction.**

### LUMIÈRE AUTOMATIQUE

#### Détecteur de mouvement\*

La valeur par défaut est activée. Cette fonction permet d'allumer automatiquement les lumières de l'ouvre-porte de garage lorsqu'un mouvement est détecté. Les lumières s'allument pendant la période définie, puis s'éteignent. Si vous utilisez la lampe de l'ouvre-porte de garage comme lampe de travail, désactivez le détecteur de mouvement, sinon la lampe s'éteindra automatiquement si vous êtes hors de portée du détecteur.

### ALERTE D'ENTRETIEN (MAS)

Cette option aide les propriétaires à veiller à ce que leur système d'ouvre-porte de garage demeure en bonne condition de fonctionnement. Lorsque l'ouvre-porte de garage nécessite un entretien (environ 4500 cycles de l'ouvre-porte) les voyants à DEL de la commande (jaune) et de l'entretien (rouge) commenceront à clignoter en alternance. Le réglage par défaut pour le MAS est à l'arrêt et peut être activé lors de l'installation. Communiquez avec votre revendeur pour l'entretien.

\* Le cas échéant

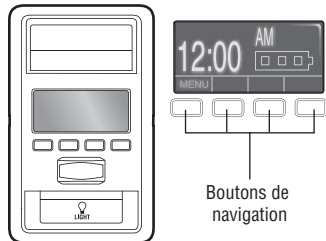
# Fonctionnement

## Utiliser le panneau de commande intelligent®\* CONFIGURATION

Les fonctions du panneau de commande peuvent être programmées par une série de menus sur l'écran et les boutons de navigation. Reportez-vous aux descriptions ci-dessous.

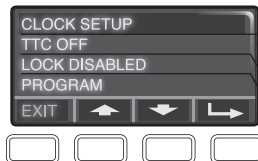
### TAMIS

L'écran principal affiche l'heure, la température et la charge actuelle de la batterie (le cas échéant).



### CARACTÉRISTIQUES

Appuyez sur le bouton de navigation situé sous MENU pour afficher le menu des fonctions.



Réglez l'heure, choisissez une horloge de 12 ou 24 heures et affichez/masquez l'horloge.

Pour les portes sectionnelles SEULEMENT. Réglez l'option de minuterie de fermeture arrêt/marche et réglez le délai avant que la porte ne se ferme. **REMARQUE : NE PAS Activer la minuterie de fermeture s'il s'agit d'une porte en une pièce. La minuterie de fermeture en peut être utilisée SEULEMENT avec des portes sectionnelles.**

Activer/désactiver la serrure.

Régler le Wi-Fi\*, ajouter des télécommandes, dispositifs myQ® devices, un bouton de télécommande supplémentaire pour contrôler les lumières de votre ouvre-porte de garage ou une entrée sans clé.

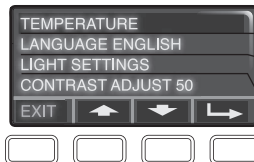
\*L'ouvre-porte de garage doit fonctionner pendant un cycle complet

Avant d'activer la programmation Wi-Fi®.

\* Le cas échéant

### LES PARAMÈTRES

Appuyez sur le bouton de navigation sous la flèche vers le bas jusqu'à ce que vous voyiez TEMPERATURE pour afficher le menu Paramètres.



Affichez la température en Fahrenheit ou Celsius et afficher/cacher la température.

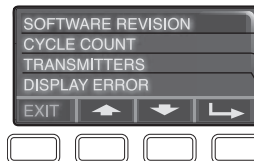
Sélectionnez une langue.

Réglez la durée de l'ouverture des lumières de l'ouvre-porte de garage après le fonctionnement, choix de portées de 1 min 30 sec à 4 min 30 sec. Désactivez ou activez le détecteur de mouvement et désactivez ou activez l'éclairage d'entrée.

Réglez le contraste de l'écran.

### ENTRETIEN

Appuyez sur le bouton LIGHT et maintenez-le enfoncé, puis appuyez sur le deuxième bouton de navigation pour afficher le menu Service.



Affiche les informations sur la version du logiciel.

Activez/désactivez l'alerte de maintenance (MAS).

Affiche le nombre de télécommandes, dispositifs myQ®, panneaux de commande et d'entrées sans clé actuellement programmés pour faire fonctionner l'ouvre-porte de garage.

Affiche les erreurs qui se sont produites.

### Télécommande

La télécommande a été programmée en usine pour fonctionner avec votre ouvre-porte de garage.

### POUR AJOUTER, REPROGRAMMER OU MODIFIER UNE TÉLÉCOMMANDE OU UN SYSTÈME D'ENTRÉE SANS CLÉ À L'AIDE DU PANNEAU DE COMMANDE

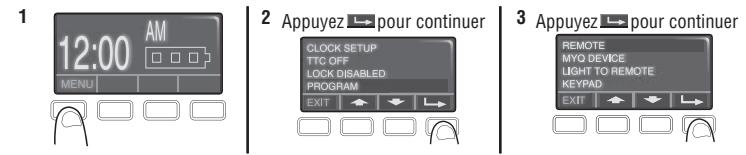
1. Appuyez sur le bouton de navigation situé sous MENU pour afficher le menu des fonctions.
2. Utilisez les boutons de navigation pour faire défiler jusqu'à « PROGRAM » (programme).
3. Sélectionner « REMOTE » (à distance) ou « KEYPAD » (clavier) pour programmer à partir du menu du programme.

4. **Télécommande** : Appuyez sur le bouton de la télécommande que vous voulez utiliser pour faire fonctionner votre porte de garage.

**Entrée sans clé** : Entrez un numéro d'identification personnel (NIP) à 4 chiffres de votre choix sur le clavier du dispositif d'entrée sans clé. Appuyez ensuite sur la touche ENTER (entrée).

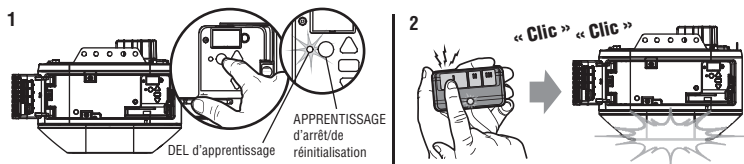
# Fonctionnement

Les lumières de l'ouvre-porte de garage clignoteront (ou vous entendrez deux clics) lorsque le code est programmé. Refaites les étapes pour programmer des télécommandes ou des dispositifs d'entrée sans clé supplémentaires. Si la programmation n'aboutit pas, programmez la télécommande à l'aide de la touche de programmation.



## POUR AJOUTER, REPROGRAMMER OU MODIFIER UNE TÉLÉCOMMANDE À L'AIDE DU BOUTON DE PROGRAMMATION

1. Appuyez et relâchez le bouton LEARN sur l'ouvre-porte de garage.
2. Appuyez et maintenez le bouton de la télécommande que vous voulez utiliser. Relâchez le bouton lorsque les lumières de l'ouvre-porte de garage clignotent ou que vous entendez deux clics.



## Pour effacer la mémoire

### EFFACER TOUTES LES TÉLÉCOMMANDES ET LES ENTRÉES SANS CLÉS.

1. Appuyez et maintenez le bouton LEARN (apprentissage) sur l'ouvre-porte jusqu'à ce que le voyant à DEL LEARN s'éteigne (environ 6 secondes). Tous les codes de télécommandes et des entrées sans clé sont maintenant effacés. Reprogrammez tout accessoire que vous voulez utiliser.

## EFFACER TOUS LES APPAREILS Y COMPRIS LES ACCESSOIRES COMPATIBLES myQ®

1. Appuyez et maintenez le bouton LEARN (apprentissage) sur l'ouvre-porte jusqu'à ce que le voyant à DEL LEARN s'éteigne (environ 6 secondes).
2. Appuyez immédiatement sur le bouton LEARN (apprentissage) et maintenez-le enfoncé jusqu'à ce que le voyant à DEL correspondant s'éteigne. Tous les codes sont maintenant supprimés. Reprogrammez tout accessoire que vous voulez utiliser.

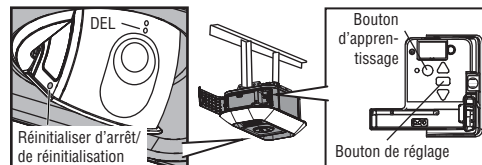
## EFFACER LE RÉSEAU WI-FI® DE L'OUVRE-PORTE DE GARAGE

1. Appuyez sur le bouton de réglage noir de l'ouvre-porte de garage et maintenez-le enfoncé jusqu'à ce que vous entendiez 3 bips (environ 6 secondes).

## SUPPRIMER LES RÉGLAGES DE LA CAMÉRA

1. Appuyez et maintenez le bouton de réinitialisation (RESET) sur le côté de la caméra pendant 10 secondes. Le voyant à DEL s'éteindra puis clignotera en rouge.

Vous devrez régler votre caméra à nouveau après l'avoir réinitialisée.





# Fonctionnement

## Pour ouvrir la porte manuellement

### **AVERTISSEMENT**

Pour éviter d'éventuelles BLESSURES GRAVES voire MORTELLES causées par une porte de garage qui tombe :

- Dans la mesure du possible, utilisez UNIQUEMENT la poignée de déclenchement d'urgence pour désengager le chariot lorsque la porte du garage est FERMÉE. Des ressorts faibles ou cassés, ou une porte déséquilibrée peuvent entraîner une chute rapide et/ou inattendue d'une porte ouverte.
- N'utilisez JAMAIS la poignée de déclenchement d'urgence avant que toutes les personnes et les obstacles aient été retirés du trajet qu'elle suivra.
- N'utilisez JAMAIS la poignée pour ouvrir ou fermer la porte. Si le nœud de la corde se défait, vous risquez de tomber.

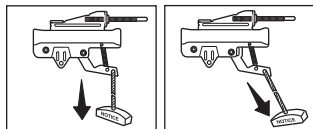
### DÉCONNECTER LE CHARIOT

1. Si possible, la porte devrait être fermée complètement.
2. Tirez sur la poignée de déverrouillage d'urgence.

### RECONNECTER LE CHARIOT

Le dispositif de verrouillage empêche le chariot de se reconnecter automatiquement.

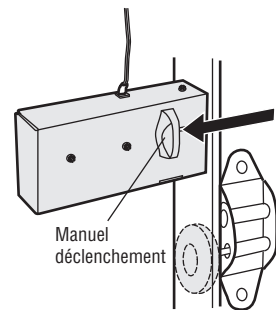
1. Tirez la poignée de déverrouillage d'urgence vers le bas et l'arrière (vers l'ouvre-porte de garage). La porte de garage peut alors être levée et abaissée manuellement selon les besoins.
2. Pour désengager le dispositif de verrouillage, tirez la poignée vers le bas. Le chariot se connectera à nouveau à la prochaine opération UP ou DOWN (ouvrir ou fermer) soit de façon manuelle ou en utilisant le panneau de commande ou la télécommande.



### POUR DÉSENGAGER MANUELLEMENT LA SERRURE DE PORTE DE GARAGE AUTOMATIQUE (MODÈLE 841LM)\*.

1. Si possible, la porte devrait être fermée complètement.
2. Désengagez le verrouillage automatique de la porte de garage en faisant glisser le déclencheur manuel en position ouverte.
3. Tirez la poignée de déverrouillage d'urgence vers le bas et l'arrière (vers l'ouvre-porte de garage). La porte de garage peut alors être levée et abaissée manuellement selon les besoins.
4. Pour reconnecter le chariot, tirez la poignée de déverrouillage d'urgence vers le bas. La porte se reconnectera lors de la prochaine ouverture ou fermeture.

**REMARQUE :** La serrure automatique de la porte de garage se réengage lorsque l'ouvre-porte de garage recommence à fonctionner.



\* Le cas échéant.

# Maintenance

## Planification de l'entretien

### TOUS LES MOIS

- Faites fonctionner la porte manuellement. Si elle est déséquilibrée ou pliée, appelez un technicien qualifié en systèmes de porte.
- Vérifiez que la porte ouvre et ferme au complet. Ajustez si nécessaire, voir page 30.
- Faites un test pour vérifier le système d'inversion de sécurité. Ajustez si nécessaire, voir page 31.

### TOUS LES ANS

- Huilez les rouleaux, les roulements et les charnières de porte. L'ouvre-porte de garage ne nécessite pas davantage de lubrification. N'appliquez pas de la graisse sur les rails de la porte.
- Testez la batterie de secours et songez à la remplacer pour vous assurer que l'ouvre-porte de garage fonctionnera en cas de panne d'électricité; voir la page 32 pour tester la batterie de secours.

### TOUS LES DEUX À TROIS ANS

- Utilisez un linge pour essuyer la graisse du rail de l'ouvre-porte de garage. Appliquez à nouveau une légère couche de graisse au lithium blanc sur le dessus et à l'intérieur de la surface du rail où le chariot glisse.

AVIS : Cet appareil est conforme à la partie 15 du règlement de la FCC ainsi qu'avec le CNR exempt de licence d'Innovation, Science et Développement économique Canada. Son utilisation est sujette aux deux conditions suivantes : (1) cet appareil ne doit pas causer d'interférences nuisibles, et (2) cet appareil doit accepter toutes les interférences reçues, y compris les interférences qui peuvent causer le fonctionnement indésirable de l'appareil. Les modifications ou les changements non expressément approuvés par la partie responsable de la conformité peuvent annuler l'autorité de l'utilisateur à utiliser l'équipement.

Cet appareil été testé et s'est avéré conforme aux limites d'un appareil numérique de classe B selon la partie 15 des règlements de la FCC et des normes ICES d'Industrie Canada. Ces limites ont pour objet de fournir une protection raisonnable contre les interférences nuisibles dans une installation résidentielle. Cet équipement produit, utilise et peut rayonner de l'énergie radiofréquence et, s'il n'est pas installé et utilisé conformément aux instructions, il risque de causer des interférences nuisibles aux communications radio. Toutefois, il n'est pas possible de garantir l'absence d'interférences dans une installation particulière. Si cet équipement cause des interférences nuisibles à la réception radio ou TV, ce qui peut être déterminé en l'éteignant puis en le rallumant, l'utilisateur est invité à essayer de corriger l'interférence en prenant au moins l'une des mesures suivantes :

- Réorienter ou déplacer l'antenne réceptrice.
- Éloignez l'appareil de l'équipement ou du récepteur.
- Branchez l'équipement sur une prise correspondant à un autre circuit que celui sur lequel le récepteur est branché.
- Consultez le revendeur ou un technicien radio/TV.

## Batterie de la télécommande

### **AVERTISSEMENT**

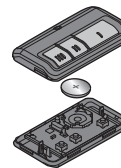
Pour éviter d'éventuelles BLESSURES GRAVES voire MORTELLES :

- Ne laissez JAMAIS de jeunes enfants s'approcher des piles.
- En cas d'ingestion de la pile, prévenez immédiatement un médecin.

Pour réduire les risques d'incendie, d'explosion ou de brûlures chimiques respectez ce qui suit :

- Utilisez SEULEMENT des piles CR2032 de 3 V pour remplacer.
- Ne rechargez, démontez, chauffez PAS à plus de 100 °C (212 °F) et n'incinerez PAS.

Pour remplacer la batterie, écarter le boîtier pour l'ouvrir au milieu puis de chaque côté à l'aide de la pince pour pare-soleil. Insérez la batterie de remplacement en mettant le côté positif (+) vers le haut. Remplacez les batteries seulement avec des batteries CR2032 de 3 V. Jetez les batteries usées de façon appropriée.



# Dépannage

## Tableau des diagnostics

Votre ouvre-porte de garage est programmé pour s'autodiagnostiquer. Les flèches vers le HAUT et le BAS de l'ouvre-porte de garage clignotent pour indiquer les codes de diagnostics.

CODE DU DIAGNOSTIC		SYMPTÔME	SOLUTION
Flèche vers le haut clignote	Flèche vers le bas clignote		
1	1	L'ouvre-porte de garage ne ferme pas.	Les capteurs d'inversion de sécurité ne sont pas installés, connectés ou les fils sont peut-être coupés. Inspectez les fils des capteurs pour vous assurer qu'ils sont connectés et ne sont pas coupés.
1	2	L'ouvre-porte de garage ne ferme pas la porte.	Il y a un court circuit ou une inversion du fil des capteurs d'inversion de sécurité. Inspectez le fil du capteur de sécurité à toutes les agrafes et les points de connexion, remplacez le fil ou corrigez la situation, au besoin.
1	3	Le panneau de commande ne fonctionne pas.	Les fils de la commande de la porte sont court-circuités ou la commande de la porte fait défaut. Inspectez les fils du panneau de commande à toutes les agrafes et les points de connexion, remplacez le fil ou corrigez la situation, au besoin.
1	4	L'ouvre-porte de garage ne ferme pas la porte.	Les capteurs d'inversion de sécurité ne sont pas alignés correctement ou étaient momentanément obstrués. Alignez les deux capteurs correctement jusqu'à ce que les deux voyants à DEL soient allumés en continu. Assurez-vous que rien n'est suspendu ou installé sur la porte de façon à interrompre le chemin du capteur lorsque la porte ferme.
1	5	La porte bouge de 15-20 cm (6-8 po), s'arrête et remonte.	Ouvrez et fermez la porte manuellement. Vérifiez si elle est pliée ou s'il y a des obstructions comme un ressort brisé ou le dispositif de verrouillage et corrigez la situation, au besoin. Vérifiez les connexions des fils au module de déplacement et à la carte mère. Remplacez le module de déplacement, au besoin.
		Il n'y a aucun mouvement, seulement un clic.	Ouvrez et fermez la porte manuellement. Vérifiez si elle est pliée ou s'il y a des obstructions comme un ressort brisé ou le dispositif de verrouillage et corrigez la situation, au besoin. Remplacez la carte mère si nécessaire.
		L'ouvre-porte émet un son de bourdonnement pendant 1 à 2 secondes sans mouvement.	Ouvrez et fermez la porte manuellement. Vérifiez si elle est pliée ou s'il y a des obstructions comme un ressort brisé ou le dispositif de verrouillage et corrigez la situation, au besoin. Remplacez le moteur, au besoin.
1	6	La porte continue à glisser après s'être arrêtée complètement.	Programmez la course jusqu'à la position de glissement ou faites équilibrer la porte par un technicien qualifié en systèmes de portes.
2	1-5	Aucun mouvement ou son.	Remplacez la carte mère.
3	2	Incapacité à régler le déplacement ou à garder la position.	Vérifiez le module de déplacement pour avoir le bon assemblage, remplacez-le, au besoin.
3	3	La DEL de statut de la batterie clignote constamment en vert.	Erreur du circuit de la batterie de secours, remplacez la carte mère.

# Dépannage

CODE DU DIAGNOSTIC		SYMPTÔME	SOLUTION
Flèche vers le haut clignote	Flèche vers le bas clignote		
4	1-4	La porte bouge, s'arrête et change de direction. L'ouvre-porte émet des bips et les voyants clignent.	Ouvrez et fermez la porte manuellement. Vérifiez si elle est pliée ou s'il y a des obstructions comme un ressort brisé ou le dispositif de verrouillage et corrigez la situation, au besoin. Si la porte plie, ou colle, communiquez avec un technicien qualifié en systèmes de portes. Si la porte ne plie pas ou colle, essayez de reprogrammer son déplacement (voir 31).
4	5	L'ouvre-porte fonctionne environ pour un déplacement de 15 à 30 cm (6 à 8 po), s'arrête et change la direction du déplacement.	Erreur de communication avec le module de déplacement. Vérifiez les connexions du module de déplacement, remplacez le module de déplacement, au besoin.
4	6	L'ouvre-porte de garage ne ferme pas.	Les capteurs d'inversion de sécurité ne sont pas alignés correctement ou étaient momentanément obstrués. Alignez correctement les deux capteurs pour vous assurer que les deux voyants à DEL sont allumés en continu et ne clignent pas. Assurez-vous que rien n'est suspendu ou installé sur la porte de façon à interrompre le chemin du capteur lorsque la porte ferme.

## L'ouvre-porte de garage n'entre PAS le mode Wi-Fi® learn (apprentissage) :

- Après l'installation initiale de l'ouvre-porte de garage, ce dernier doit effectuer un cycle complet (ouverture et fermeture) avant que le mode d'apprentissage Wi-Fi® puisse être activé.
- Si'il y a récemment eu une panne d'électricité, l'ouvre-porte de garage doit effectuer un cycle complet avant que le mode d'apprentissage Wi-Fi® puisse être activé.

Voir 36 pour activer le mode d'apprentissage Wi-Fi®.

## L'ouvre-porte de garage ne se connecte pas au réseau Wi-Fi® de la maison :

- Assurez-vous que le numéro de série de myQ® est saisi correctement et essayez à nouveau. Les caractères de myQ® sont de A à F et 0 à 9 seulement.
- Signal Wi-Fi® faible dans le garage. Assurez-vous que le signal Wi-Fi® atteigne le garage et voir 4 ou allez au support.chamberlaingroup.com pour obtenir plus de renseignements.

## Ma porte ne ferme pas :

Le capteur d'inversion de sécurité doit être connecté et aligné correctement avant que l'ouvre-porte de garage fasse descendre la porte.

- Vérifiez si la porte est pliée, ou obstruée tout au long du rail jusqu'au sol du garage.
- Le capteur d'inversion de sécurité doit être connecté et aligné correctement avant que l'ouvre-porte de garage fasse descendre la porte.
  - Vérifiez que les capteurs d'inversion sont installés et alignés correctement et qu'ils ne sont pas obstrués.
  - Si le capteur de réception (voyant à DEL vert) fait directement face à la lumière du soleil, changez le capteur de réception avec le capteur d'envoi pour que le capteur de réception ne soit pas à la lumière directe du soleil.

## Les voyants à DEL ne fonctionnent pas :

Vérifiez les fils des deux modules intégrés de lumières à DEL au connecteur. S'ils ne sont pas bien fixés, reconnectez-les. Si les lumières ne s'allument pas, vous avez peut-être besoin d'un nouveau module intégré de lumières à DEL. Communiquez avec le service à la clientèle ou un technicien qualifié en système de porte pour déterminer si vous avez besoin d'un nouveau module intégré de lumière à DEL.

## La télécommande de mon voisin ouvre ma porte de garage :

Effacez la mémoire de votre ouvre-porte de garage et reprogrammez la ou les télécommandes.

## Le Homelink® de mon véhicule ne se programme pas avec mon ouvre-porte de garage :

Selon la marque, le modèle et l'année de votre véhicule, vous aurez peut-être besoin d'un adaptateur externe. Visitez [www.homelink.com](http://www.homelink.com) pour obtenir des renseignements supplémentaires.

## Ma caméra ne se connecte pas au router :

- Rapprochez votre routeur de l'ouvre-porte de garage pour minimiser les interférences avec les murs et autres objets.
- Achetez un prolongateur de portée Wi-Fi.

Pour les problèmes avec la caméra, appuyez et maintenez le bouton de réinitialisation sur la caméra pendant 10 secondes. Suivez ensuite les instructions de l'application myQ® pour régler la caméra.

**Pour obtenir du dépannage pour la serrure optionnelle automatique pour la porte de garage modèle 841LM, voir les instructions fournies avec celle-ci.**

# Accessoires

878MAX



**MAX Wireless entrée sans clé :**

Pour utilisation à l'extérieur de la maison pour permettre l'accès au garage en utilisant un code à 4 chiffres. Fonctionne avec TOUS les ouvre-portes LiftMaster de 1993 jusqu'à maintenant.

893MAX



**3-Bouton Max de la télécommande à distance :**

Compatible avec les ouvre-portes de garage LiftMaster fabriqués depuis 1993. Comprend une pince pour le pare-soleil.

880LMW



**Panneau de commande intelligent :**

Affiche la température, l'heure et les diagnostics du système, comprend une barre de poussée pour ouvrir et fermer la porte et serrure pour davantage de sécurité. Compatible avec le Wi-Fi et Security+ 2.0

819LMB



**myQ® Home Bridge :**

Ajoutez Apple® HomeKit™ compatible avec votre à votre myQ® pour activer l'ouvre-porte de garage. Utilisez Siri® pour ouvrir et fermer votre porte de garage ainsi que pour en vérifier l'état.

Apple est une marque de Apple Inc., déposée aux États-Unis et autres pays.  
HomeKit est une marque de Apple Inc.

891LM



Compatible avec les ouvre-portes de garage LiftMaster fabriqués depuis 1993. Comprend une pince pour le pare-soleil.

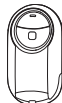
882LMW



**Panneau de commande à plusieurs fonctions :**

Compatible avec le Wi-Fi et Security+ 2.0

374UT



**Télécommande universelle mini :**

La télécommande universelle mini peut être programmée pour activer jusqu'à deux produits comme l'ouvre-porte de garage, les commandes de lumières myQ®, l'ouvre-barrière ou un opérateur de porte commerciale.

380UT



**Télécommande universelle :**

La télécommande universelle peut être programmée pour activer jusqu'à deux produits comme l'ouvre-porte de garage, l'opérateur de barrière ou un opérateur de porte commerciale.

841LM



**Serrure automatique de porte de garage :**

Compatible avec 87802. Fournit un élément de sécurité supplémentaire en verrouillant automatiquement le déplacement de la porte de garage au rail de la porte.

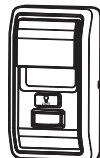
881LMW



**Panneau de commande à détection de mouvement avec commande de minuterie de fermeture :**

Panneau de commande multifonctions avec détecteur de mouvement qui allume automatiquement les lumières de l'ouvre-porte lorsqu'il détecte une personne entrant dans le garage. Compatible avec le Wi-Fi et Security+ 2.0

886LMW



**Panneau de commande à détection de mouvement :**

Panneau de commande multifonctions avec détecteur de mouvement qui allume automatiquement les lumières de l'ouvre-porte lorsqu'il détecte une personne entrant dans le garage. Compatible avec le Wi-Fi et Security+ 2.0

# Garantie

LiftMaster®/LiftMaster® (le « Vendeur ») garantit au premier acheteur au détail que ce produit installé pour la première fois dans sa résidence est sans défaut de matériel, de main-d'œuvre pendant la période précise définie ci-dessous (« Période de la garantie »). La période de garantie commence à partir de la date de l'achat.

PÉRIODE DE GARANTIE							
Modèles	Pièces	Moteur	Accessoires	Courroie	Batterie de secours	Voyants à DEL intégrés	Caméra
84501	1 an	À vie	1 an	À vie	Sans objet	1 an	Sans objet
84602	1 an	À vie	1 an	Sans objet	1 an	1 an	Sans objet
87802	5 ans	À vie	1 an	À vie	1 an	5 ans	Sans objet
87504-267	5 ans	À vie	1 an	À vie	1 an	5 ans	1 an

Le bon fonctionnement de ce produit dépend du respect des instructions en ce qui a trait à l'installation, le fonctionnement, l'entretien et les tests. Le fait de ne pas se conformer strictement à ces instructions annulera la présente garantie limitée dans son intégralité.

Si, pendant la période de la garantie limitée, ce produit semble présenter un défaut qui est couvert par cette garantie limitée, visitez [LiftMaster.com](http://LiftMaster.com), avant de démonter ce produit. Vous serez avisé des instructions de désassemblage et d'expédition. Vous pourrez ensuite envoyer le produit ou ses pièces en port payé et assuré selon les instructions de notre centre de services pour la réparation sous garantie. Veuillez inclure une brève description du problème et la preuve d'achat comportant une date avec tout produit retourné pour réparation sous garantie. Les produits retournés au Vendeur pour réparation en vertu de la garantie et dont la défectuosité et la couverture de la garantie sont confirmés dès la réception par le Vendeur seront réparés ou remplacés (à l'entière discrétion du Vendeur) sans frais pour vous et retournés en envoi pré-payé. Les pièces défectueuses seront réparées ou remplacées avec des pièces neuves ou remises à neuf à la seule discrétion du vendeur. [Vous êtes responsable de tous les frais encourus pour retirer et/ou réinstaller le produit ou tout composant].

**TOUTE GARANTIE TACITE POUR CE PRODUIT, Y COMPRIS SANS S'Y LIMITER, TOUTE GARANTIE TACITE DE QUALITÉ COMMERCIALE ET D'ADAPTATION À UNE QUELCONQUE UTILISATION, EST LIMITÉE À LA DURÉE DE LA GARANTIE LIMITÉE CI-DESSUS POUR LES PIÈCES CONNEXES ET LES GARANTIES NON TACITES EXISTERONT OU SERONT APPLIQUÉES APRÈS CETTE PÉRIODE. Certains États et Provinces ne permettent pas de limiter la durée d'une garantie implicite, de sorte que la limitation ci-dessus peut ne pas s'appliquer à vous. CETTE GARANTIE LIMITÉE NE COUVRE PAS LES DOMMAGES QUI NE PROVIENNENT PAS DE DÉFAUT, QUI SONT CAUSÉS PAR UNE MAUVAISE INSTALLATION, UTILISATION OU ENTRETIEN (Y COMPRIS SANS S'Y LIMITER À L'ABUS, L'EMPLOI ABUSIF, LE DÉFAUT NE PAS AVOIR EFFECTUÉ L'ENTRETIEN NÉCESSAIRE ET RAISONNABLE, DES RÉPARATIONS NON AUTORISÉES OU TOUTE ALTÉRATION DU PRODUIT), LES FRAIS DE MAIN-D'ŒUVRE POUR LA RÉINSTALLATION D'UN APPAREIL RÉPARÉ OU REMPLACÉ, LES ÉLÉMENTS DE REMPLACEMENT OU DONT LA DURÉE DE VIE EST ACHÉVÉE (P. EX., LES BATTERIES DES TRANSMETTEURS DE LA TÉLÉCOMMANDE) OU DES APPAREILS INSTALLÉS À DES FINS NON RÉSIDUELLES. LA PRÉSENTE GARANTIE LIMITÉE NE COUVRE PAS LES PROBLÈMES LIÉS À LA PORTE DE GARAGE OU À LA QUINCAILLERIE DE LA PORTE DE GARAGE, Y COMPRIS, MAIS SANS S'Y LIMITER, LES RESSORTS DE LA PORTE, LES ROULEAUX DE LA PORTE, L'ALIGNEMENT DE LA PORTE OU LES CHARNIÈRES. LA PRÉSENTE GARANTIE LIMITÉE NE COUVRE PAS NON PLUS LES PROBLÈMES CAUSÉS PAR DES INTERFÉRENCES. EN AUCUN CAS, LE VENDEUR NE POURRA ÊTRE TENU RESPONSABLE DES DOMMAGES CONSÉCUTIFS, ACCIDENTELS OU SPÉCIAUX LIÉS À L'UTILISATION OU À L'IMPOSSIBILITÉ D'UTILISER CE PRODUIT. EN AUCUN CAS, LA RESPONSABILITÉ DU VENDEUR EN CAS DE RUPTURE DE GARANTIE, DE RUPTURE DE CONTRAT, DE NÉGLIGENCE OU DE RESPONSABILITÉ STRICTE NE POURRA DÉPASSER LE COÛT DU PRODUIT COUVERT PAR LES PRÉSENTES. PERSONNE N'EST AUTORISÉ À ASSUMER EN NOTRE NOM QUELQUE AUTRE RESPONSABILITÉ RELATIVE AVEC LA VENTE DE CE PRODUIT.**

Certains États et Provinces n'autorisent pas l'exclusion ou la limitation des dommages consécutifs, accessoires ou spéciaux, il est possible que la limitation ou l'exclusion susmentionnée ne s'applique pas à vous. Cette garantie vous donne des droits légaux spécifiques et vous pouvez également avoir d'autres droits, qui varient d'une province à l'autre.

# Guide de sécurité et d'entretien de l'ouvre-porte de garage automatique

## Sécurité de l'ouvre-porte de garage – Une décision automatique

La porte de garage est le plus grand objet mobile d'une maison. Le réglage inapproprié de la porte de garage et de l'ouvre-porte peut entraîner une force mortelle lorsque la porte ferme, ce qui pourrait faire en sorte qu'un enfant ou un adulte soit coincé et se solder par des blessures ou la mort.

L'installation, l'utilisation, l'entretien et les tests appropriés de la porte de garage et de l'ouvre-porte appropriés sont nécessaires pour avoir un système sécuritaire et sans problème. Une utilisation imprudente ou permettre à des enfants de jouer avec les commandes de l'ouvre-porte ou de l'utiliser sont également des situations dangereuses qui peuvent mener à des conséquences tragiques. Quelques précautions simples peuvent protéger votre famille et vos amis de blessures possibles. Veuillez examiner les conseils de sécurité et d'entretien qui se trouvent dans le présent guide et le garder pour consultation future. Vérifiez le fonctionnement de votre porte de garage et de votre ouvre-porte pour vous assurer qu'ils fonctionnent de façon sécuritaire et sans problème. Assurez-vous de lire toutes les données importantes sur la sécurité qui se trouvent dans votre manuel d'ouvre-porte, car elles contiennent davantage de détails et d'éléments à prendre en considération que ce qui peut être fournis dans le présent guide.

## L'ouvre-porte de garage n'est pas un jouet.

Parlez avec vos enfants de la sécurité relative à la porte de garage et à l'ouvre-porte. Expliquez les dangers de se retrouver coincé sous la porte.



Tenez-vous loin d'une porte en mouvement.



Le bouton poussoir mural doit être hors de portée des enfants, à au moins 1,5 m (5 pieds) de la surface la plus proche et éloigné de toute pièce mobile. Installez et utilisez le bouton à un endroit où vous pouvez clairement voir la porte de garage se fermer.



Gardez TOUJOURS les émetteurs et les télécommandes hors de la portée des enfants. Ne laissez pas les enfants jouer avec les émetteurs ou d'autres télécommandes ou les utiliser.



Gardez la porte en vue jusqu'à ce qu'elle se ferme complètement lorsque vous utilisez le bouton-poussoir ou l'émetteur mural.

# L'entretien de routine peut éviter des tragédies

Faites des inspections et des tests de votre porte de garage et votre système d'ouvre-porte tous les mois en tant que partie de votre routine. Relisez le guide de l'utilisateur de la porte ainsi que de l'ouvre-porte. Si vous n'avez pas de guide de l'utilisateur, communiquez avec le fabriquant et demandez l'exemplaire pour votre modèle précis. Recherchez le numéro de modèle de votre ouvre-porte au dos du bloc d'alimentation.

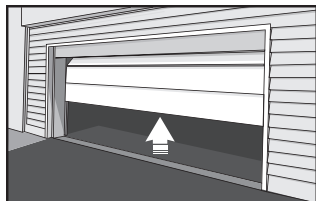


**AVERTISSEMENT - LES RESSORTS SONT SOUS TENSION ÉLEVÉE. SEULES LES PERSONNES QUALIFIÉES DEVRAIENT EN FAIRE LE RÉGLAGE.**



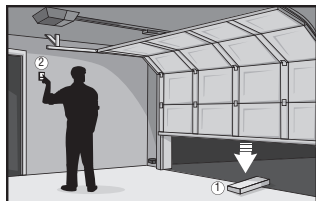
**Vérifiez visuellement la porte et l'installation :**

- En commençant avec la porte en position fermée, utilisez la déconnexion manuelle sur l'ouvre-porte pour déconnecter la porte.
- Vérifiez s'il y a des signes d'usure ou de dommage sur les charnières, les galets, les ressorts et les panneaux de la porte.
- Ces pièces peuvent nécessiter une lubrification périodique. Consultez le guide du propriétaire pour connaître l'entretien suggéré.
- S'il y a des signes de dommages évidents, communiquez avec un technicien qualifié en systèmes de portes pour obtenir de l'aide.
- Vérifiez que la hauteur de l'œil photo n'est pas supérieure à 6 po du sol du garage.



**Effectuez un test de la porte pour vérifier qu'elle fonctionne correctement :**

- Ouvrez et fermez manuellement la porte à l'aide des poignées ou de points de prise appropriés.
- La porte devrait bouger librement sans difficulté.
- **La porte doit s'équilibrer et rester partiellement ouverte à 3-4 pieds au-dessus du sol.**
- Si vous détectez des signes de fonctionnement inadéquats, communiquez avec un technicien qualifié en systèmes de porte pour obtenir de l'aide.



**Effectuez un test des fonctions de sécurité de l'ouvre-porte :**

- Reconnectez l'ouvre-porte à la porte en utilisant la déconnexion manuelle et ouvrez la porte.
- Placez un bloc de 2x4 po à plat dans le chemin de la porte (1) et essayez de la fermer (2). La porte devrait s'arrêter lorsqu'elle entre en contact avec le bloc de 2x4 et remonter.
- Obstruez le capteur photoélectrique en agitant un objet devant le capteur essayez de fermer la porte. La porte ne doit pas se fermer si le bouton-poussoir mural n'est pas maintenu manuellement pendant le fonctionnement.
- Si l'ouvre-porte ne fonctionne pas comme que décrit, communiquez avec un technicien qualifié en systèmes de portes pour obtenir de l'aide.

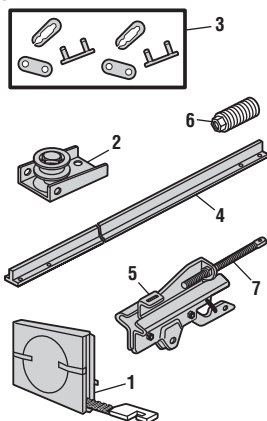




## Pièces détachées

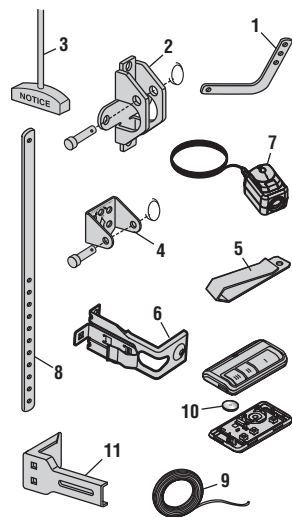
### Pièces d'assemblage de rails 87504-267

Description	Numéro de pièce
1 Courroie - pour porte de 7 pi Courroie - pour porte de 8 pi Courroie - pour porte de 10 pi	041A5434-11A 041A5434-13A 041A5434-14A
2 Support de la courroie de poulie	041B5424
3 Lien maître	004A1008
4 Rail d'une seule pièce 2,1 m (7 pi) Rail d'une seule pièce 2,4 m (8 pi) Rail d'une seule pièce 3 m (10 pi)	2777BD 2778BD 2770BD
5 L'assemblage du chariot comprend : Liaison principale (2), axe à épaulement (1), anneau (1), clip de courroie (1), Arbre fileté (1), et assemblage du tendeur (1)	041B3869-3A
6 Assemblage du tendeur	041B4103
7 Arbre fileté du chariot	041A6689



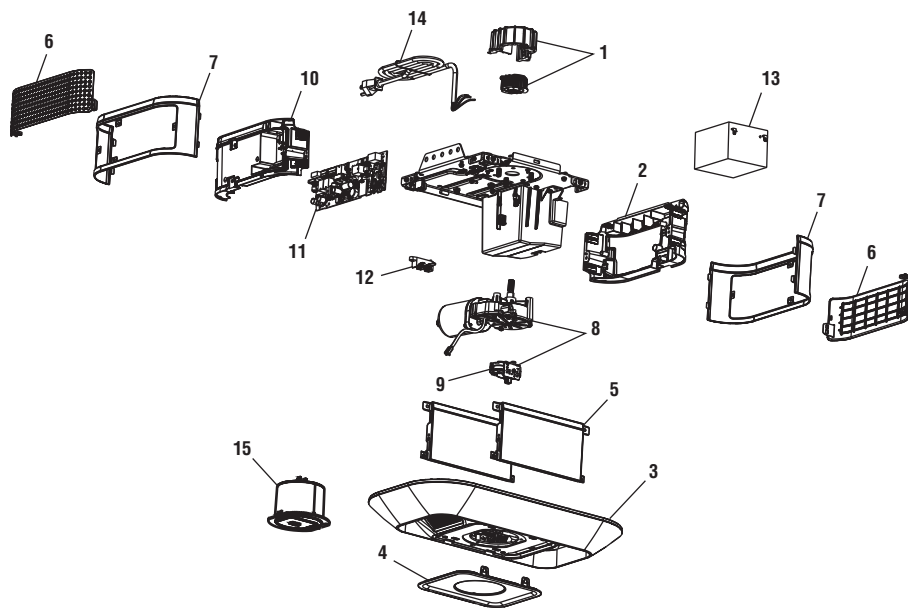
### Pièces d'installation

Description	Numéro de pièce
1 Bras de porte incurvé	041B0035B
2 Support de porte, axe à épaulement et attache	041A5047-1
3 Corde et poignée de déclenchement d'urgence	041A2828
4 Support de linteau avec axe à épaulement et fixation	041A4353-1
5 Clip de pare-soleil pour la télécommande	K029B0137
6 Support pour le capteur de sécurité	041-0399-000
7 Ensemble de capteurs de sécurité muni de capteurs d'envoi et de réception et 2 x 0,9 m (3 pi) de fils conducteurs	041-0136
8 Bras de porte droit	4178B0034B
9 Fil blanc et rouge/blanc	041B4494-1
10 Batterie au lithium 3 V	K010A0020
11 Support d'extension (optionnel)	041A5281-1
<b>Non illustré</b>	
Installation du sac de matériel	041A2770-17
Guide d'utilisation	114A5288
Manuel d'utilisateur	114-5710-000 (Rev. B)



## Pièces détachées

### Pièces d'assemblage de l'ouvre-porte de garage 87504-267

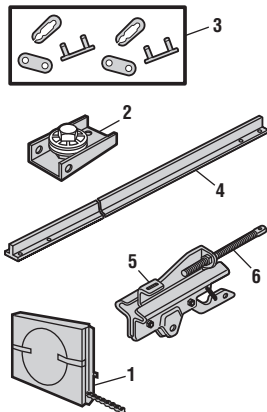


Description	Numéro de pièce
1 Pignon et cache-pignon avec vis	041C0589-2
2 Panneau d'extrémité	041-0185-000
3 Module intégré d'éclairage à DEL	041-0186-000
4 Insigne avec caméra	041-0195-000
5 Couvercle du boîtier principal	041-0190-000
6 Panneau de commande de la porte	041-0192-000
7 Couvercle du panneau d'extrémité	041-0193-000
8 Moteur avec module de déplacement	041-0236-000
9 Module de déplacement	041D8071-4
10 Panneau d'extrémité de la carte mère	041-0183-000
11 Carte mère	050DCTB
12 Bornier	041A3150
13 Batterie de secours	485LM
14 Câble de ligne	041B4245
15 Caméra	041-0041
<b>Non illustré</b>	
Faisceau de câbles	041-0180-000
Transformateur	041D0277-1

# Pièces détachées

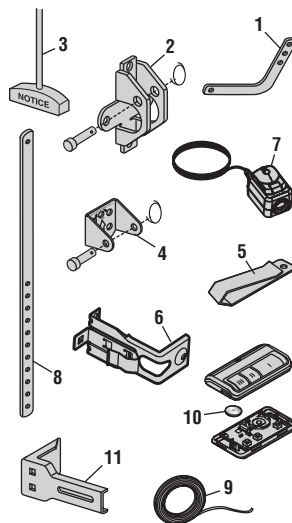
## Pièces d'assemblage du rail modèle 87802

Description	Número de pièce
1 Chaîne - pour porte de 7 pi	041D3484
Chaîne - pour porte de 8 pi	041D3483
Chaîne - pour porte de 10 pi	041D3485
Chaîne - pour porte de 12 pi	19-5812
Chaîne - pour porte de 14 pi	19-5814
2 Support pour la chaîne de poulie	041A2780
3 Lien maître	004A1008
4 Rail d'une seule pièce de 7 pi	3707CH
Rail d'une seule pièce de 8 pi	3708CH
Rail d'une seule pièce de 10 pi	3710CH
Rail d'une seule pièce de 12 pi	3712RV
Rail d'une seule pièce de 14 pi	3714RV
5 L'assemblage du chariot comprend : Liaison principale (2), axe à épaulement (1), anneau (1), clip de courroie (1), Arbre fileté (1), et assemblage du tendeur (1)	041A3489
6 Chaîne du tendeur	041B4103-1
7 Arbre fileté du chariot	K109B0018



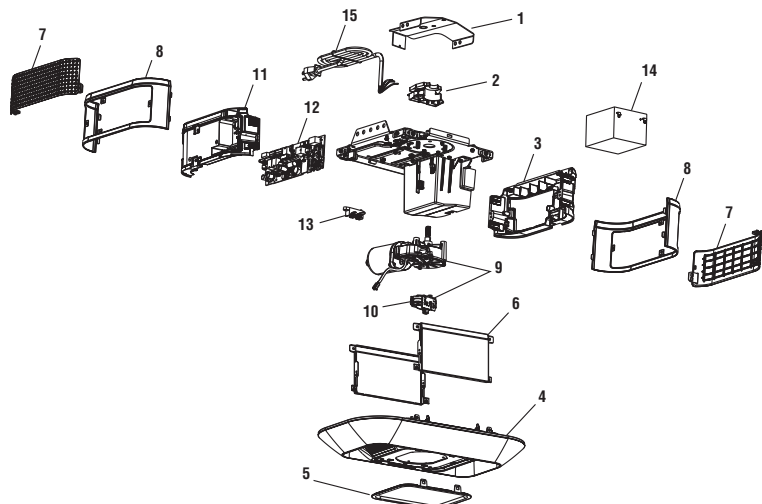
## Pièces d'installation

Description	Número de pièce
1 Bras de porte incurvé	041B0035B
2 Support de porte, axe à épaulement et attache	041A5047-1
3 Corde et poignée de déclenchement d'urgence	041A2828
4 Support de linteau avec axe à épaulement et fixation	041A4353-1
5 Clip de pare-soleil pour la télécommande	K029B0137
6 Support pour le capteur de sécurité	041-0399-000
7 Ensemble de capteurs de sécurité muni de capteurs d'envoi et de réception et 2 x 0,9 m (3 pi) de fils conducteurs	041-0136
8 Bras de porte droit	4178B0034B
9 Fil blanc et rouge/blanc	041B4494-1
10 Batterie au lithium 3 V	K010A0020
11 Support d'extension (optionnel)	041A5281-1
<b>Non illustré</b>	
Guide d'utilisateur	114-5518-000
Panneau de commande à plusieurs fonctions	880LMW
Télécommande	893LM
Installation du sac de matériel	041A2770-17



## Pièces détachées

### Pièces d'assemblage de l'ouvre- porte de garage 87802

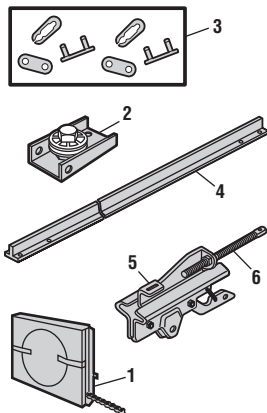


Description	Numéro de pièce
1 Support de châssis	041C5069
2 Écarteur de chaîne et pignon	041-0035-0035
3 Panneau d'extrémité, sans accès à la batterie	041-0185-000
4 Kit d'éclairage, sans caméra	041-0187-000
5 Insigne	041-0196-000
6 Couverture du boîtier principal	041-0190-000
7 Panneau de la porte de commande	041-0192-000
8 Couverture du panneau d'extrémité	041-0193-000
9 Moteur avec module de déplacement	041-0236-000
10 Module de déplacement	041D8071-4
11 Panneau d'extrémité de la carte mère	041-0182-000
12 Carte mère	050DCTBLK
13 Bornier	041A3150
14 Batterie de secours	485LM
15 Câble de ligne	041B4245
<b>Non illustré</b>	
Faisceau de câbles	041-0180-000
Transformateur	041D0277-1

## Pièces détachées

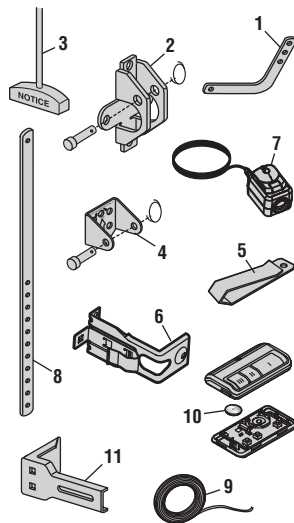
### Pièces d'assemblage de rails 84602

Description	Número de pièce
1 Chaîne - pour porte de 7 pi Chaîne - pour porte de 8 pi Chaîne - pour porte de 10 pi	041D3484 041D3483 041D3485
2 Support pour la chaîne de poulie	041A4813
3 Lien maître	004A1008
4 Rail d'une seule pièce 2,1 m (7 pi) Rail d'une seule pièce 2,4 m (8 pi) Rail d'une seule pièce 3 m (10 pi)	1707LM 1708LM 1710LM
5 L'assemblage du chariot comprend : Liaison principale (2), axe à épaulement (1), anneau (1), clip de courroie (1), Arbre fileté (1), et assemblage du tendeur (1)	041A3489
6 Assemblage du tendeur	041B4103
7 Arbre fileté du chariot	041A6689



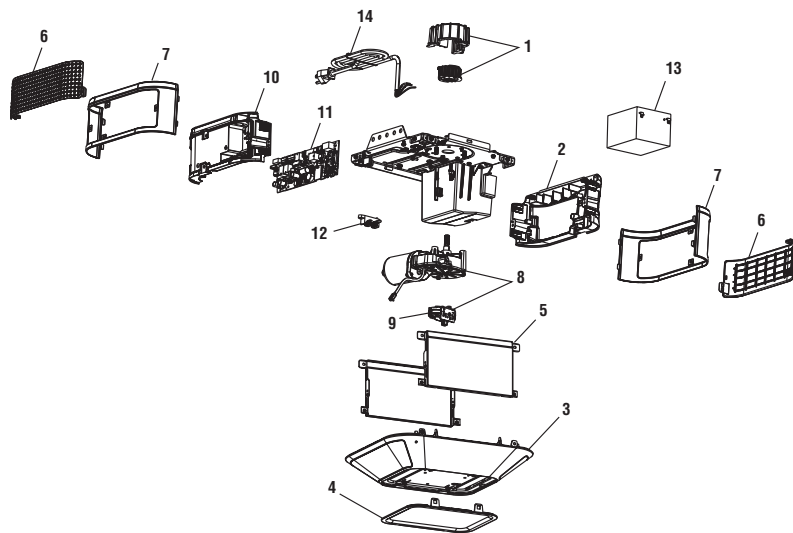
### Pièces d'installation

Description	Número de pièce
1 Bras de porte incurvé	041B0035B
2 Support de porte, axe à épaulement et attache	041A5047-1
3 Corde et poignée de déclenchement d'urgence	041A2828
4 Support de linteau avec axe à épaulement et fixation	041A4353-1
5 Clip de pare-soleil pour la télécommande	K029B0137
6 Support pour le capteur de sécurité	041-0399-000
7 Ensemble de capteurs de sécurité muni de capteurs d'envoi et de réception et 2 x 0,9 m (3 pi) de fils conducteurs	041-0136
8 Bras de porte droit	4178B0034B
9 Fil blanc et rouge/blanc	041B4494-1
10 Batterie au lithium 3 V	K010A0020
11 Support d'extension (optionnel)	041A5281-1
<b>Non illustré</b>	
Guide d'utilisateur	114-5518-000
Panneau de commande à plusieurs fonctions	886LMW
Télécommande	893LM
Installation du sac de matériel	041A2770-17



## Pièces détachées

### Pièces d'assemblage de l'ouvre- porte de garage 84602

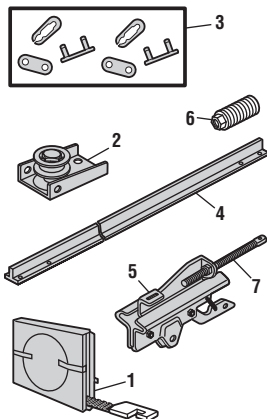


Description	Numéro de pièce
1 Pignon et cache-pignon avec vis	041B5348-2
2 Panneau d'extrémité boracique non logique	041-0185-000
3 Module intégré d'éclairage à DEL	041-0189-000
4 Insigne	041-0196-000
5 Couverture du boîtier principal	041-0191-000
6 Panneau de commande de la porte	041-0192-000
7 Couverture du panneau d'extrémité	041-0194-000
8 Moteur avec module de déplacement	041-0236-000
9 Module de déplacement	041D8071-4
10 Panneau d'extrémité de la carte mère	041-0183-000
11 Carte mère	050DCTB
12 Bornier	041A3150
13 Batterie de secours	485LM
14 Câble de ligne	041B4245
<b>Non illustré</b>	
Faisceau de câbles	041-0180-000
Transformateur	041A7635

# Pièces détachées

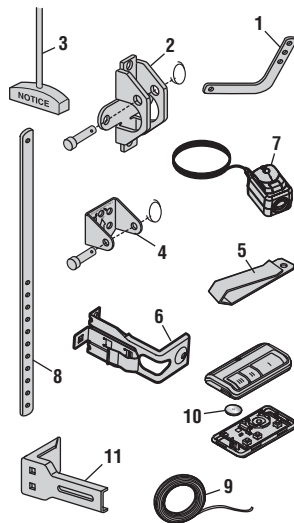
## Pièces d'assemblage du rail modèle 84501

Description	Número de pièce
1 Courroie - pour porte de 7 pi Courroie - pour porte de 8 pi Courroie - pour porte de 10 pi	041A5434-11A 041A5434-13A 041A5434-14A
2 Support de la courroie de poulie	041B5424
3 Lien maître	004A1008
4 Rail d'une seule pièce 2,1 m (7 pi) Rail d'une seule pièce 2,4 m (8 pi) Rail d'une seule pièce 3 m (10 pi)	2777BD 2778BD 2770BD
5 L'assemblage du chariot comprend : Liaison principale (2), axe à épaulement (1), anneau (1), clip de courroie (1), Arbre fileté (1), et assemblage du tendeur (1)	041B3869-3A
6 Assemblage du tendeur	041B4103
7 Arbre fileté du chariot	041A6689



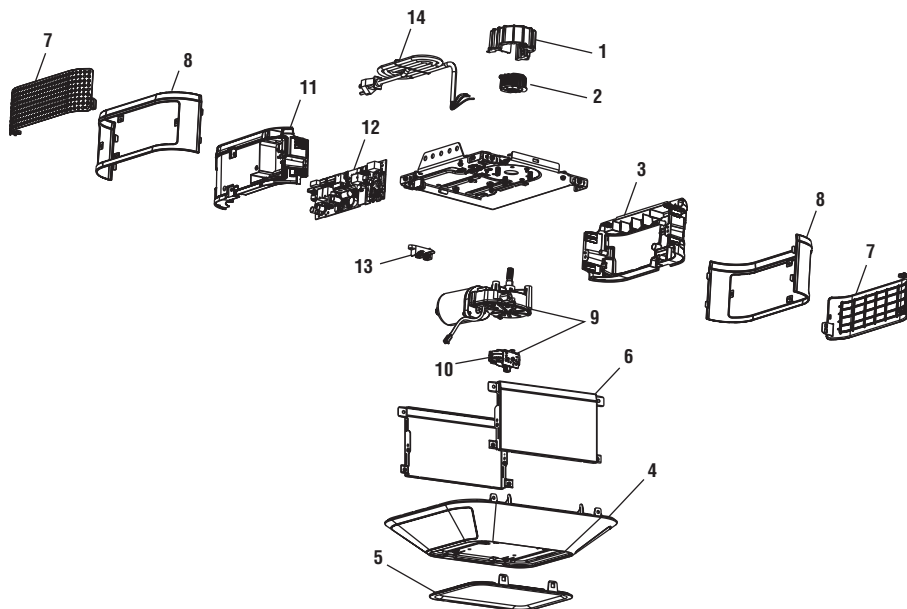
## Pièces d'installation

Description	Número de pièce
1 Bras de porte incurvé	041B0035B
2 Support de porte, axe à épaulement et attache	041A5047-1
3 Corde et poignée de déclenchement d'urgence	041A2828
4 Support de linteau avec axe à épaulement et fixation	041A4353-1
5 Clip de pare-soleil pour la télécommande	K029B0137
6 Support pour le capteur de sécurité	041-0399-000
7 Ensemble de capteurs de sécurité muni de capteurs d'envoi et de réception et 2 x 0,9 m (3 pi) de fils conducteurs	041-0136
8 Bras de porte droit	4178B0034B
9 Fil blanc et rouge/blanc	041B4494-1
10 Batterie au lithium 3 V	K010A0020
11 Support d'extension (optionnel)	041A5281-1
<b>Non illustré</b>	
Installation du sac de matériel	041A2770-17
Panneau de commande à plusieurs fonctions	882LMW
Guide d'utilisateur	114-5518-000



# Pièces détachées

## Ouvre-porte de garage Pièces d'assemblage 84501



Description	Numéro de pièce
1 Couvercle de pignon	041A4371
2 Engrenage et pignon	041C589-2
3 Panneau d'extrémité, sans accès à la batterie	041-0184-000
4 Kit d'éclairage double, sans caméra	041-0189-000
5 Insigne	041-0196-000
6 Couvercle du boîtier principal	041-0191-000
7 Panneau de commande de la porte	041-0192-000
8 Couvercle du panneau d'extrémité	041-0194-000
9 Moteur avec module de déplacement	041-0236-000
10 Module de déplacement	041D8071-4
11 Panneau d'extrémité de la carte logique	041-0183-000
12 Carte mère	050DCTB
13 Bornier	041A3150
14 Câble de ligne	041B4245
<b>Non illustré</b>	
Faisceau de câbles	041-0180-000
Transformateur, Wi-Fi Sans batterie de secours	041D0277-2

### COORDONNÉES DE CONTACT

Visitez-nous en ligne à :

**LiftMaster.com ou myLiftMaster.com**

Avant d'appeler, veuillez avoir en main de numéro de modèle de l'ouvre-porte de garage. Si vous nous appelez concernant un dépannage, il est recommandé que vous ayez accès à votre ouvre-porte de garage pendant que vous appelez. Si vous commandez une pièce de remplacement, veuillez avoir en main les informations suivantes : numéro de la pièce, le nom de la pièce et le numéro de modèle.

Wi-Fi® est une marque déposée de la Wi-Fi Alliance.  
HomeLink® est une marque déposée de Gentex Corporation.  
© 2022, LiftMaster  
Tous droits réservés.

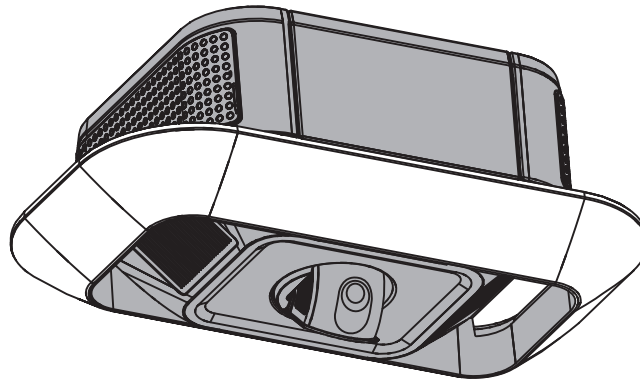
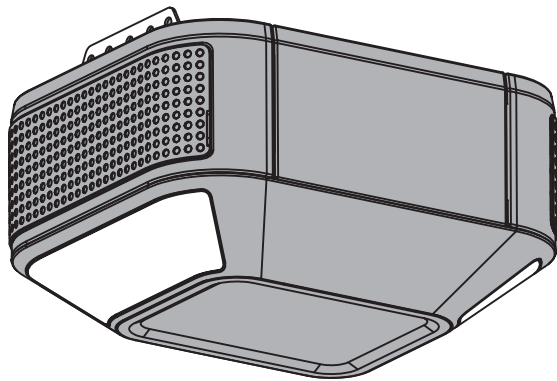


# Abrepuertas de garaje LED inteligentes

**Modelos de transmisión por correa: 87504-267, 84501**

**Modelos de transmisión por cadena: 87802, 84602**

SÓLO PARA USO RESIDENCIAL



- Lea atentamente este manual y la información de seguridad.
- Se requieren verificaciones periódicas del abrepuertas de garaje para garantizar el funcionamiento seguro.
- Este abrepuertas de garaje SOLO es compatible con accesorios myQ® y Security+ 2.0®.
- NO debe instalarse en una puerta de una sola pieza si se utilizan dispositivos o funciones que proporcionen un cierre sin supervisión. Los dispositivos y las funciones sin supervisión deben usarse SOLO con puertas seccionales.
- Pegue las etiquetas de advertencia en la ubicación indicada en la etiqueta.

LiftMaster  
300 Windsor Drive  
Oak Brook, IL 60523

# LiftMaster®

# Tabla de contenidos

---

<b>Preparación</b>	3	<b>Accesorios</b>	45
Inventario de la caja 87504-267	6	<b>Garantía</b>	46
Inventario de la caja 87802	7	<b>Piezas de repuesto</b>	49
Inventario de la caja 84501	8	Modelo 87504-267	49
Inventario de la caja 84602	9	Modelo 87802	51
<b>Conjunto</b>	10	Modelo 84602	53
87504-267, 84501	10	Modelo 84501	55
84602	11		
87802	12		
<b>Instalación</b>	14		
<b>Panel de control</b>	22		
<b>Instalación del sistema Protector System</b>	24		
<b>Alimentación</b>	28		
<b>Ajustes</b>	30		
<b>Batería de respaldo</b>	32		
<b>Funcionamiento</b>	34		
<b>Mantenimiento</b>	42		
<b>Resolución de problemas</b>	43		

# Preparación

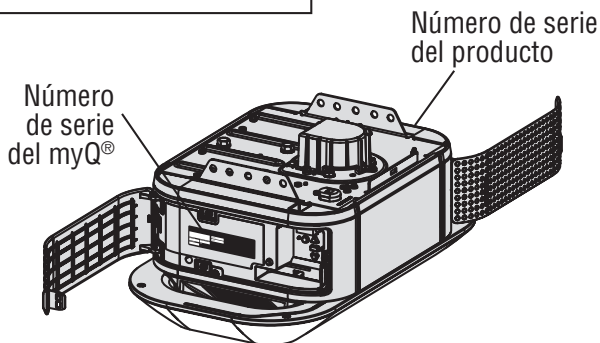
## Número de serie del myQ®

Escriba la información siguiente para referencia futura:

Número de serie del myQ®:

Número de serie del producto:

Fecha de compra:



## Análisis de símbolos de seguridad y palabras de señalización

Este abrepuertas de garaje se ha diseñado y probado para ofrecer un servicio seguro siempre que se instale, opere, mantenga y pruebe en estricto cumplimiento de las instrucciones y advertencias de este manual.

Cuando vea estos símbolos de seguridad y palabras de señalización en las páginas siguientes, le alertarán de la posibilidad de lesiones graves o la muerte si no cumple con las advertencias que los acompañan. El peligro puede provenir de algo mecánico o de descarga eléctrica. Lea las advertencias detenidamente.

 **ADVERTENCIA**

Mecánica

 **ADVERTENCIA**

Eléctrica

Cuando vea esta palabra de señalización en las páginas siguientes, le alertará de la posibilidad de daños a la puerta de garaje o al abrepuertas de garaje si no cumple con las declaraciones de precaución que la acompañan. Léalas con atención.

 **PRECAUCIÓN**



**ADVERTENCIA:** Con este producto, puede quedar expuesto a sustancias químicas, incluido el plomo, que el Estado de California reconoce como causantes de cáncer o anomalías congénitas u otros daños reproductivos. Para obtener más información, visite [www.P65Warnings.ca.gov](http://www.P65Warnings.ca.gov)

## Funcionamiento sin supervisión

La función Temporizador para cerrar (TTC), la aplicación myQ® y el monitor de puerta de garaje y compuerta myQ® son ejemplos de cierres sin supervisión y SOLO deben utilizarse con puertas seccionales. Cualquier dispositivo o función que permita que la puerta se cierre sin estar en la línea de visión de la puerta se considera un cierre sin supervisión. La función Temporizador para cerrar (TTC), la aplicación myQ® y cualquier otro dispositivo myQ® SOLO deben usarse con puertas seccionales.

# Preparación

## Antes de conectarlo con su smartphone

Supervise y controle su puerta de garaje desde cualquier lugar mediante la aplicación myQ®.

Necesitará:

- Wi-Fi® habilitado en un smartphone, una tablet o una laptop
- Conexión a Internet de banda ancha
- Señal Wi-Fi® en el garaje (**se requiere 2.4 GHz, 802.11b/g/n**)
- Contraseña para su internet doméstica (la cuenta principal del enrutador, no la red de invitados)

### NO LLEGA LA SEÑAL DE WI-FI®

Asegúrese de que su dispositivo móvil esté conectado a su red Wi-Fi®. Sostenga el dispositivo móvil en el lugar donde se instalará el abrepuertas de garaje y compruebe que el Wi-Fi®.



#### Compruebe la intensidad de la señal. Si ve:



**La señal Wi-Fi es potente.**  
El abrepuertas de garaje se conectará a su red Wi-Fi.



**La señal Wi-Fi es débil.**  
El abrepuertas de garaje puede conectarse a su red Wi-Fi. Si no es así, pruebe una de las opciones siguientes para mejorar la señal Wi-Fi:



**No hay señal de Wi-Fi.**  
El abrepuertas de garaje no podrá conectarse a su red Wi-Fi. Pruebe una de las opciones siguientes para mejorar la señal Wi-Fi:

- Acerque el enrutador al abrepuertas de garaje para minimizar las interferencias de las paredes y otros objetos
- Compre un extensor de alcance del Wi-Fi

Para obtener especificaciones de enrutadores compatibles y ayuda, visite [support.liftmaster.com](http://support.liftmaster.com).

Consulte la página 36 para conectar el abrepuertas de garaje a un dispositivo móvil.

## Revisar la puerta

### ⚠ ADVERTENCIA

Para evitar posibles LESIONES GRAVES o la MUERTE:

- Llame SIEMPRE a un técnico capacitado en sistemas de puerta si la puerta de garaje se atora, adhiere o no está balanceada. Una puerta de garaje no balanceada podría NO invertirse cuando se necesita.
- NUNCA intente aflojar, mover o ajustar la puerta de garaje, resortes de puerta, cables, poleas, soportes o su herraje; TODOS están bajo tensión EXTREMA.
- Deshabilite TODAS las trabas y quite TODAS las sogas conectadas a la puerta ANTES de instalar y operar el abrepuertas de garaje para evitar enredos.
- NO debe instalarse en una puerta de una sola pieza si se utilizan dispositivos o funciones que proporcionen un cierre sin supervisión. Los dispositivos y las funciones sin supervisión deben usarse SOLO con puertas seccionales.

### ⚠ PRECAUCIÓN

Para evitar daños en la puerta de garaje y el abrepuertas:

- Deshabilite SIEMPRE las trabas ANTES de instalar y operar el abrepuertas.
- SOLO use el abrepuertas de garaje a 120 V, 60 Hz para evitar averías y daños.

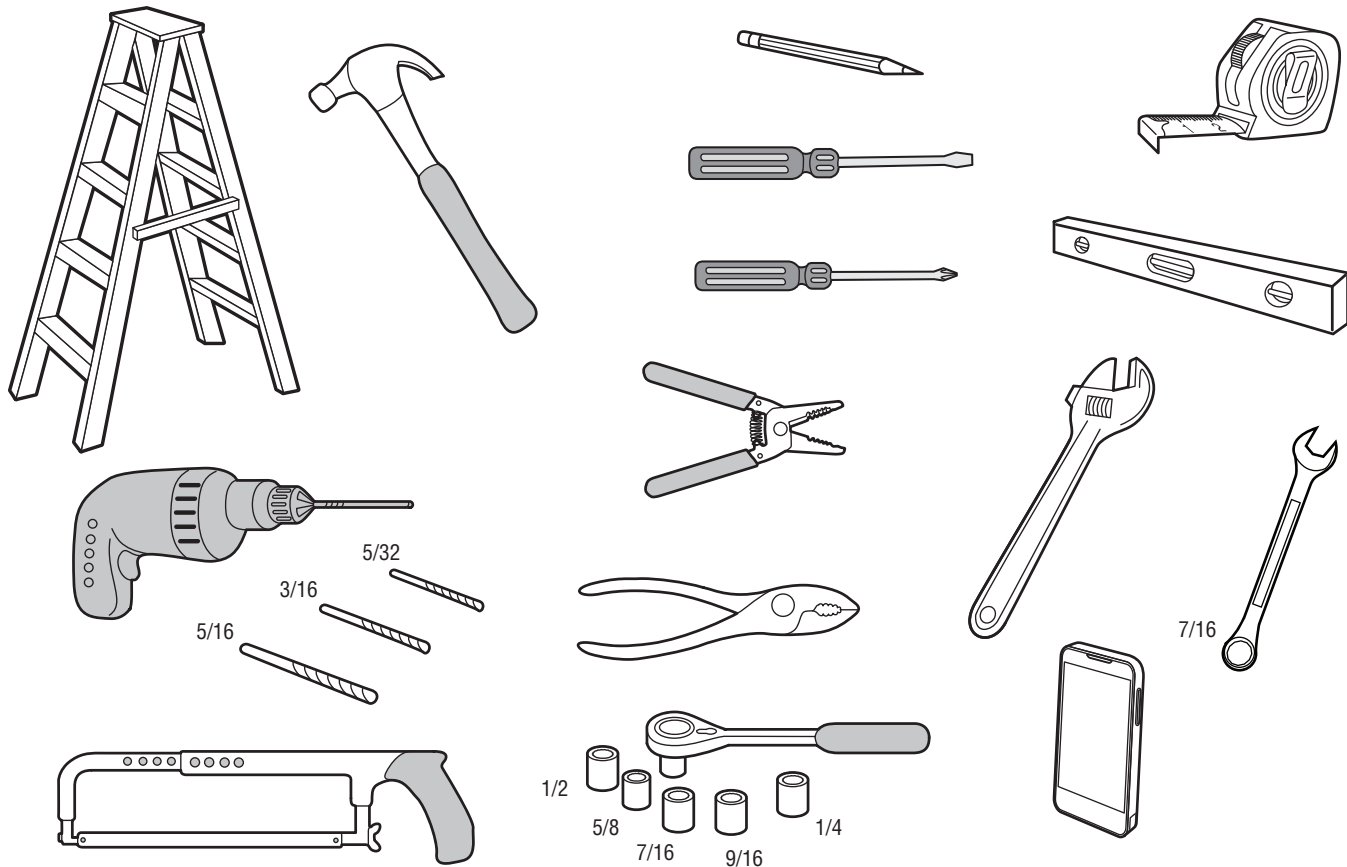
Antes de empezar:

1. Deshabilite las trabas y retire todas las sogas conectadas a la puerta de garaje.
2. Levante la puerta hasta la mitad. Suelte la puerta. Si está balanceada, debe quedarse en su lugar, sostenida por completo por los resortes.
3. Levante y baje la puerta para verificar si se adhiere o trava. Si la puerta se atora, adhiere o no está balanceada, llame a un técnico capacitado en sistemas de puerta.
4. Verifique el sello en la parte inferior de la puerta. Cualquier vacío entre el piso y la parte inferior de la puerta no debe exceder 1/4" (6 mm). De lo contrario, el sistema de inversión de seguridad podría no funcionar correctamente.
5. El abrepuertas debe instalarse arriba del centro de la puerta. Si hay un resorte de torsión o placa de soporte central en el camino del soporte del cabezal, puede instalarse dentro de los 4 pies (1.2 m) a la izquierda o derecha del centro de la puerta. Consulte la página 15.



# Preparación

## Herramientas necesarias



# Preparación

## Inventario de la caja 87504-267

Los accesorios variarán según el modelo de abrepuertas de garaje comprado. En función de u modelo específico, su abrepuertas de garaje puede incluir otros accesorios. Las instrucciones para los accesorios estarán incluidas con el accesorio y no se incluyen en este manual. **Las imágenes de este manual son de referencia y su producto podría tener un aspecto diferente.**

- A. Soporte del cabezal
- B. Polea y soporte
- C. Soporte de la puerta
- D. Brazo curvo de la puerta
- E. Brazo recto de la puerta
- F. Carro
- G. Soga y manija de liberación de emergencia
- H. Riel
- I. Abrepuertas de garaje
- J. Cubierta de polea con tornillos hexagonales
- K. Cinta
- L. Panel de control
- M. Cable blanco y rojo/blanco
- N. El Protector System®  
Sensores de inversión de seguridad con cable blanco y blanco/negro conectado: Sensor emisor (1), sensor receptor (1) y soportes del sensor de seguridad (2)
- O. Etiquetas de seguridad y documentación
- P. Grasa para riel
- Q. Control remoto (2)
- R. Batería
- S. Ingreso sin llave

### HERRAJE PARA RIEL

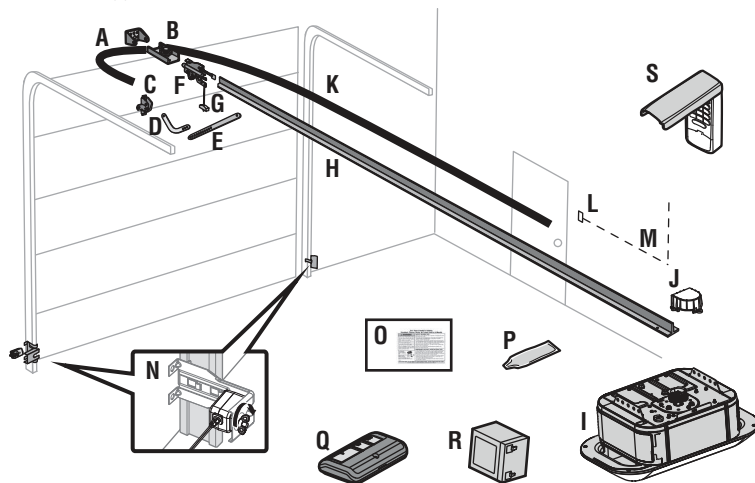
Perno con arandela de 5/16"-18 x 1/2" (2) [montado en la parte superior del abrepuertas de garaje]

### HERRAJE DE INSTALACIÓN

- |   |  |
|---|--|
| Perno hexagonal de 5/16"-18 x 7/8" (4)      | Arandela de seguridad de 5/16" (4)           |
| Tornillo tirafondos de 5/16"-9 x 1-5/8" (2) | Tornillo autorroscante de 1/4"-14 x 5/8" (2) |
| Pasador de horquilla de 5/16" x 2-3/4" (1)  | Sujetador de anillo (3)                      |
| Pasador de horquilla de 5/16" x 1-1/4" (1)  | Tornillo hexagonal 10-24 (2)                 |
| Pasador de horquilla de 5/16" x 1" (1)      | Tuerca de mariposa (2)                       |
| Tuerca 5/16"-18 (4)                         |  |

### HERRAJE DEL PANEL DE CONTROL

- |                           |                        |
|---------------------------|------------------------|
| Tornillo 6AB x 1-1/4" (2) | Anclajes para yeso (2) |
| Tornillo 6-32 x 1" (2)    |                        |



# Preparación

## Inventario de la caja 87802

Los accesorios variarán según el modelo de abrepuertas de garaje comprado. En función de u modelo específico, su abrepuertas de garaje puede incluir otros accesorios. Las instrucciones para los accesorios estarán incluidas con el accesorio y no se incluyen en este manual. **Las imágenes de este manual son de referencia y su producto podría tener un aspecto diferente.**

- A. Soporte del cabezal
- B. Polea y soporte
- C. Soporte de la puerta
- D. Brazo curvo de la puerta
- E. Brazo recto de la puerta
- F. Carro
- G. Soga y manija de liberación de emergencia
- H. Riel
- I. Abrepuertas de garaje
- J. Extensor de cadena con tornillos hexagonales
- K. Cadena
- L. Panel de control
- M. Cable blanco y rojo/blanco
- N. El Protector System®  
Sensores de inversión de seguridad con cable blanco y blanco/negro conectado: Sensor emisor (1), sensor receptor (1) y soportes del sensor de seguridad (2)
- O. Etiquetas de seguridad y documentación
- P. Grasa para riel
- Q. Control remoto
- R. Batería
- S. Soporte de chasis

## Herrajes

### Herraje del soporte de chasis

- Tornillo #8-32 x 3/8" (1)
- Pernos hexagonales de 1/4"-20 x 5/8" (2)
- Arandela de seguridad de 2/2"-2 (2)
- Perno con arandela de 5/16"-18 x 1/2" (2)

### Herraje del extensor de cadena

- Tornillo #8-32 x 3/8" (2)

### Herraje para riel

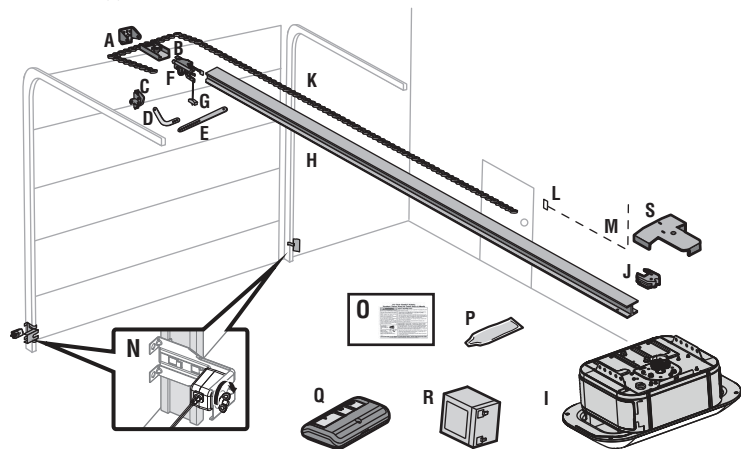
- Pernos con arandela (montados en la parte superior del abrepuertas de garaje)

### Herraje de instalación

- Perno hexagonal de 5/16"-18 x 7/8" (4)
  - Tornillo tirafondos de 5/16"-9 x 1-5/8" (2)
  - Pasador de horquilla de 5/16" x 2-3/4" (1)
  - Pasador de horquilla de 5/16" x 1-1/4" (1)
  - Pasador de horquilla de 5/16" x 1" (1)
  - Tuerca 5/16"-18 (4)
  - Arandela de seguridad de 5/16" (4)
- Tornillo autorroscante de 1/4"-14 x 5/8" (2)
  - Sujetador de anillo (3)
  - Tornillo hexagonal 10-24 (2)
  - Tuerca de mariposa (2)
  - Perno hexagonal de 1/4"-20 x 5/8" (2)
  - Contratuerca 1/4"-20 (2)
  - Tornillo tirafondos 1/4" x 1-1/2" (4)

### Herraje del panel de control

- Tornillo 6AB x 1" (2)
- Tornillo 6-32 x 1" (2)
- Anclajes para yeso (2)



# Preparación

## Inventario de la caja 84501

Los accesorios variarán según el modelo de abrepuertas de garaje comprado. En función de u modelo específico, su abrepuertas de garaje puede incluir otros accesorios. Las instrucciones para los accesorios estarán incluidas con el accesorio y no se incluyen en este manual. **Las imágenes de este manual son de referencia y su producto podría tener un aspecto diferente.**

- A. Soporte del cabezal
- B. Polea y soporte
- C. Soporte de la puerta
- D. Brazo curvo de la puerta
- E. Brazo recto de la puerta
- F. Carro
- G. Soga y manija de liberación de emergencia
- H. Riel
- I. Abrepuertas de garaje
- J. Cubierta de polea con tornillos hexagonales
- K. Cinta
- L. Panel de control
- M. Cable blanco y rojo/blanco
- N. El Protector System®  
Sensores de inversión de seguridad con cable blanco y blanco/negro conectado: Sensor emisor (1), sensor receptor (1) y soportes del sensor de seguridad (2)
- O. Etiquetas de seguridad y documentación
- P. Grasa para riel
- Q. Control remoto

## HERRAJE PARA RIEL

Perno con arandela 5/16"-18 x 1/2" (2) (montado en la parte superior del abrepuertas de garaje)

Perno hexagonal de 5/16"-18 x 7/8" (4)

Tornillo tirafondos de 5/16"-9 x 1-5/8" (2)

Pasador de horquilla de 5/16" x 2-3/4" (1)

Pasador de horquilla de 5/16" x 1-1/4" (1)

Pasador de horquilla de 5/16" x 1" (1)

Tuerca 5/16"-18 (4)

## HERRAJE DEL PANEL DE CONTROL

Tornillo 6AB x 1-1/4" (2)

Tornillo 6-32 x 1" (2)

Arandela de seguridad de 5/16" (4)

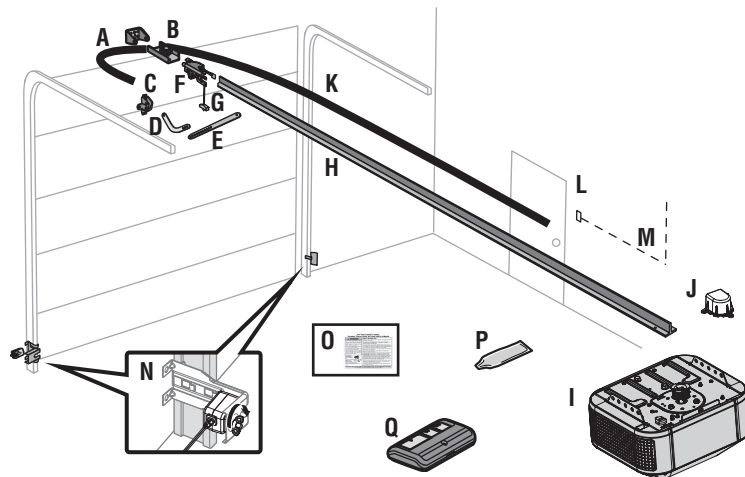
Tornillo autorroscante de 1/4"-14 x 5/8" (2)

Sujetador de anillo (3)

Tornillo hexagonal 10-24 (2)

Tuerca de mariposa (2)

Anclajes para yeso (2)





# Preparación

## Inventario de la caja 84602

Los accesorios variarán según el modelo de abrepuertas de garaje comprado. En función de u modelo específico, su abrepuertas de garaje puede incluir otros accesorios. Las instrucciones para los accesorios estarán incluidas con el accesorio y no se incluyen en este manual. **Las imágenes de este manual son de referencia y su producto podría tener un aspecto diferente.**

- A. Soporte del cabezal
- B. Polea y soporte
- C. Soporte de la puerta
- D. Brazo curvo de la puerta
- E. Brazo recto de la puerta
- F. Carro
- G. Soga y manija de liberación de emergencia
- H. Riel
- I. Abrepuertas de garaje
- J. Cubierta del piñón con tornillos hexagonales
- K. Cadena
- L. Panel de control
- M. Cable blanco y rojo/blanco
- N. Sensores de inversión de seguridad Protector System® con cable blanco y blanco/negro conectado: Sensor emisor (1), sensor receptor (1) y soportes del sensor de seguridad (2)
- O. Etiquetas de seguridad y documentación
- P. Control remoto
- Q. Control remoto
- R. Batería

## HERRAJE PARA RIEL

- Perno con arandela 5/16"-18 x 1/2" (2) (montado en la parte superior del abrepuertas de garaje)
- Perno hexagonal de 5/16"-18 x 7/8" (4)
- Tornillo tirafondos de 5/16"-9 x 1-5/8" (2)
- Pasador de horquilla de 5/16" x 2-3/4" (1)
- Pasador de horquilla de 5/16" x 1-1/4" (1)
- Pasador de horquilla de 5/16" x 1" (1)
- Tuerca 5/16"-18 (4)

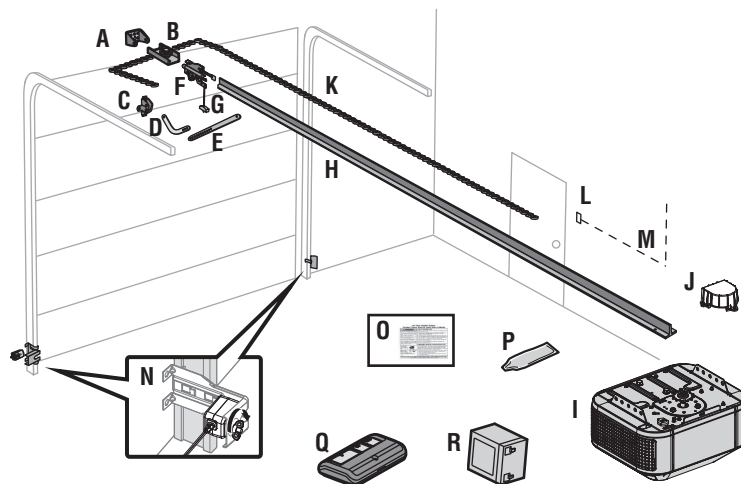
- Arandela de seguridad de 5/16"-16 (4)
- Tornillo autorroscante de 1/4"-14 x 5/8" (2)
- Sujetador de anillo (3)
- Tornillo hexagonal 10-24 (2)
- Tuerca de mariposa (2)

## HERRAJE DEL PANEL DE CONTROL

Tornillo 6AB x 1-1/4" (2)

Anclajes para yeso (2)

Tornillo 6-32 x 1" (2)



# Conjunto

## 1 Fije el riel de la correa al abrepuertas de garaje 87504-267, 84501

### ⚠ ADVERTENCIA

Para evitar posibles LESIONES GRAVES en los dedos al mover el abrepuertas de garaje:

- Mantenga SIEMPRE la mano alejada de la rueda dentada mientras opera el abrepuertas.
- Ajuste con cuidado la cubierta de la rueda dentada ANTES de operar.

### ⚠ PRECAUCIÓN

Para evitar daños GRAVES al abrepuertas de garaje, use SOLO aquellos pernos/sujetadores montados en la parte superior del abrepuertas.

**NOTA:** SOLO use los pernos que quitó del abrepuertas de garaje. Coloque el abrepuertas de garaje sobre la caja del paquete para evitar que se raye.

1. **Modelos 87504-267 y 84501** Quite los dos pernos de la parte superior del abrepuertas de garaje.
2. Alinee los orificios del riel con los orificios del abrepuertas de garaje.
3. Fije el riel con los pernos mencionados anteriormente. Corte y elimine la cinta y la espuma de poliestireno alrededor del riel.
4. Coloque la correa alrededor del piñón del abrepuertas de garaje.
5. Coloque la cubierta del piñón sobre el piñón del abrepuertas de garaje y fijela con los tornillos hexagonales.

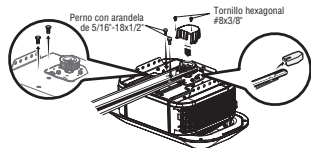
#### HERRAJES



Perno con arandela de 5/16"-18x1/2"  
(montados en el abrepuertas de garaje)  
Modelos 87504-267 y 84501



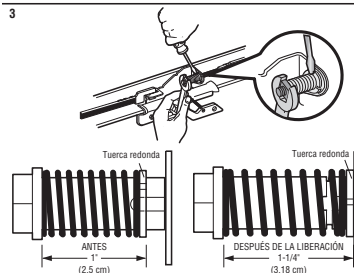
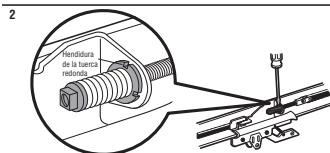
Tornillo hexagonal  
#6x3/8"  
(incluido con la  
cubierta de la cinta)



Perno con arandela de 5/16"-18x1/2"  
Tornillo hexagonal #6x3/8"

## 2 Apriete la correa

1. Inserte la punta de un destornillador plano en una de las ranuras de la tuerca redonda y sujétela con firmeza contra el carro.
2. Apriete la tuerca del carro con resorte con una llave ajustable o una llave abierta de 7/16" un cuarto de giro hasta que el resorte se libere y ajuste la tuerca redonda contra el carro. Esto lleva el resorte a la tensión óptima de la cinta.



# Conjunto

## 1 Fije el riel de la cadena al abrepuertas de garaje modelo 84602

### ⚠ ADVERTENCIA

Para evitar posibles LESIONES GRAVES en los dedos al mover el abrepuertas de garaje:

- Mantenga SIEMPRE la mano alejada de la rueda dentada mientras opera el abrepuertas.
- Ajuste con cuidado la cubierta de la rueda dentada ANTES de operar.

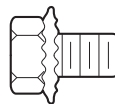
### ⚠ PRECAUCIÓN

Para evitar daños GRAVES al abrepuertas de garaje, use SOLO aquellos pernos/sujetadores montados en la parte superior del abrepuertas.

**NOTA:** SOLO use los pernos que quitó del abrepuertas de garaje. Coloque el abrepuertas de garaje sobre la caja del paquete para evitar que se raye.

1. Quite los dos pernos de la parte superior del abrepuertas de garaje.
2. Alinee los orificios del riel con los orificios en el abrepuertas de garaje.
3. Fije el riel con los pernos mencionados anteriormente. Corte y elimine la cinta y la espuma de poliestireno alrededor del riel.
4. Coloque la cadena alrededor del piñón del abrepuertas de garaje.
5. Coloque la cubierta del piñón sobre el piñón del abrepuertas de garaje y fíjela con los tornillos hexagonales.

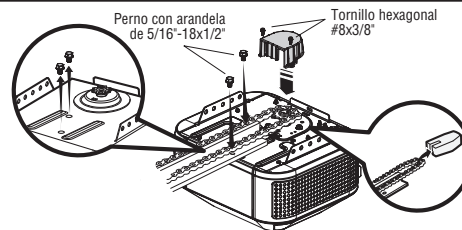
### HERRAJES



Perno con arandela de 5/16"-18x1/2"  
(montados en el abrepuertas de garaje)  
Modelos 87504-267 y 84501



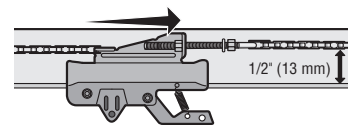
Tornillo hexagonal  
#8x3/8"  
(Incluido con la  
cubierta del piñón)



## 2 Apriete la cadena para el modelo 84602

1. Afloje la tuerca interior y la arandela de seguridad en el eje roscado del carro.
2. Apriete la tuerca exterior hasta que la cadena esté a 1/2" por encima de la base del riel en el punto medio del riel.
3. Vuelva a apretar la tuerca interior.

La holgura de la cadena es normal cuando la puerta está cerrada. No es necesario ningún reajuste.



# Conjunto

## 1 Fije el riel de la cadena de la viga en I al abrepuertas de garaje 87802

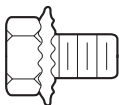
### ⚠ PRECAUCIÓN

Para evitar daños GRAVES al abrepuertas de garaje, use SOLO aquellos pernos/sujetadores montados en la parte superior del abrepuertas.

**NOTA:** SOLO use los pernos que quitó del abrepuertas de garaje. Coloque el abrepuertas de garaje sobre la caja del paquete para evitar que se raye.

1. Quite los dos pernos de la parte superior del abrepuertas de garaje.
2. Alinee los orificios del riel con los orificios en el abrepuertas de garaje.
3. Fije el riel con los pernos mencionados anteriormente. Corte y elimine la cinta y la espuma de poliestireno alrededor del riel.
4. Coloque la cadena alrededor del piñón del abrepuertas de garaje.
5. Fije el extensor de cadena al abrepuertas de garaje con tornillos.
6. Guíe la cadena alrededor de la ranura seleccionada en el extensor de cadena.

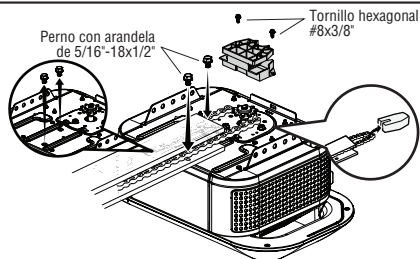
### HERRAJES



Perno con arandela de 5/16"-18x1/2"  
(montados en el abrepuertas de garaje)



Tornillo hexagonal #8x3/8"  
(incluido con la cubierta del piñón)



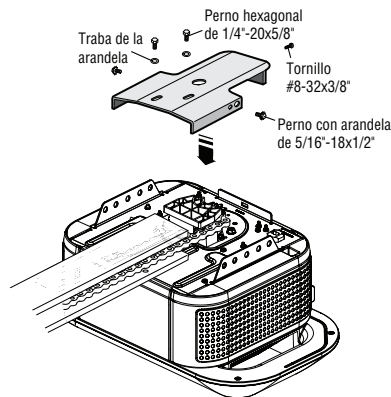
## 2 Fijar el soporte de apoyo del chasis

### ⚠ ADVERTENCIA

Para evitar posibles LESIONES GRAVES en los dedos al mover el abrepuertas de garaje:

- Mantenga SIEMPRE la mano alejada de la rueda dentada mientras opera el abrepuertas.
- Ajuste con cuidado la cubierta de la rueda dentada ANTES de operar.

1. Posicione el soporte de chasis sobre la unidad.
2. Fije el soporte al riel con pernos hexagonales de 1/4"-20x5/8" y arandelas de seguridad. **No apriete en exceso.**
3. Fije el soporte al abrepuertas insertando un tornillo con arandela de 5/16"-18 x 1/2" a través de un orificio en las bridas de cada lado y un orificio igual en el soporte. Complete la conexión insertando el tornillo #8-32 x 3/8" a través de la brida posterior y el orificio en el soporte del riel.

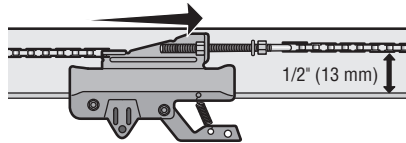


# Conjunto

## 3 Apretar la cadena

1. Afloje la tuerca interior y la arandela de seguridad en el eje roscado del carro.
2. Apriete la tuerca exterior hasta que la cadena esté a 1/2" por encima de la base del riel en el punto medio del riel.
3. Vuelva a apretar la tuerca interior.

La holgura de la cadena es normal cuando la puerta está cerrada. No es necesario ningún reajuste.



## INSTRUCCIONES IMPORTANTES DE INSTALACIÓN

### **ADVERTENCIA**

### Para reducir el riesgo de **LESIÓN GRAVE** o **MUERTE**:

1. LEA Y SIGA TODAS LAS ADVERTENCIAS E INSTRUCCIONES DE INSTALACIÓN.
2. Instale el abrepuertas de garaje SOLO sobre una puerta bien balanceada y lubricada. Una puerta mal balanceada podría NO invertirse cuando sea necesario y causar LESIONES GRAVES o la MUERTE.
3. Un técnico capacitado en sistemas de puerta DEBE realizar TODAS las reparaciones a cables, conjuntos de resortes y otros herrajes ANTES de instalar el abrepuertas de garaje.
4. Deshabilite TODAS las trabas y quite TODAS las sogas conectadas a la puerta ANTES de instalar el abrepuertas de garaje para evitar enredos.
5. Donde sea posible, instale el abrepuertas a 7 pies (2.13 m) o más por encima del piso.
6. Monte la liberación de emergencia al alcance pero al menos a 6 pies (1.83 m) por encima del suelo y evitando el contacto con vehículos para evitar la liberación accidental.
7. NUNCA conecte el abrepuertas de garaje a la fuente de alimentación hasta que se le instruya hacerlo.
8. NUNCA use relojes, anillos o prendas sueltas cuando instale o dé servicio al abrepuertas. Podrían quedar enganchados en la puerta del garaje o en los mecanismos del abrepuertas.
9. Instale el panel de control de garaje montado en la pared:
  - a la vista de la puerta de garaje.
  - fuera del alcance de niños pequeños a una altura mínima de 5 pies (1.5 m) sobre pisos, descansos, escalones u otras superficies adyacentes de tránsito.
  - lejos de TODAS las piezas móviles de la puerta.
10. Coloque la etiqueta de advertencia de atrapamiento en la pared al lado del panel de control de garaje en una ubicación visible.
11. Coloque la liberación de emergencia/etiqueta de prueba de inversión de seguridad a simple vista en el interior de la puerta de garaje.
12. Al completar la instalación, pruebe el sistema de inversión de seguridad. La puerta DEBE invertir la marcha al contacto con un objeto de 1-1/2" (3.8 cm) de alto (o 2x4 colocado plano) en el piso.
13. NO debe instalarse en una puerta de una sola pieza si se utilizan dispositivos o funciones que proporcionen un cierre sin supervisión. Los dispositivos y las funciones sin supervisión deben usarse SOLO con puertas seccionales.

14. **GUARDE ESTAS INSTRUCCIONES.**

# Instalación

## 1 Determinar la ubicación del soporte del cabezal

### ⚠ ADVERTENCIA

Para evitar posibles LESIONES GRAVES o la MUERTE:

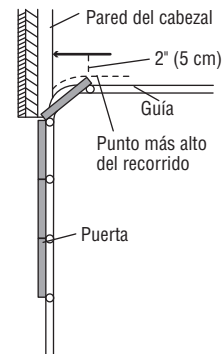
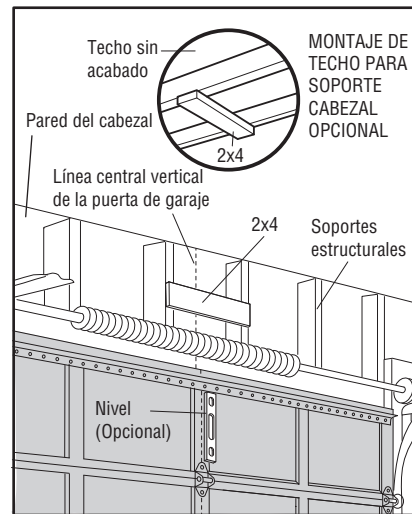
- El soporte del cabezal DEBE estar sujetado RÍGIDAMENTE al soporte estructural en la pared del cabezal o en el techo, puesto que de lo contrario la puerta de garaje podría NO invertirse cuando esto se requiera. NO instale el soporte del cabezal sobre un panel de yeso.
- DEBEN usarse anclajes para concreto si se monta el soporte del cabezal o la madera de 2x4 en mampostería.
- NUNCA intente aflojar, mover o ajustar la puerta de garaje, resortes, cables, poleas, soportes o su herraje; TODOS están bajo tensión EXTREMA.
- Llame SIEMPRE a un técnico capacitado en sistemas de puerta si la puerta de garaje se atora, adhiere o no está balanceada. Una puerta de garaje no balanceada podría NO invertir la dirección de movimiento cuando se necesita.

Cierre la puerta y marque la línea central vertical interior de la puerta de garaje.

Extienda la línea hacia la pared del cabezal por arriba de la puerta. Puede fijar el soporte del cabezal a menos de 4 pies (1.22 m) a la izquierda o a la derecha del centro de la puerta solo si hay un resorte de torsión o una placa de soporte central en el camino; o puede fijarlo al techo cuando el espacio libre resulte mínimo. (Se puede montar en la pared boca abajo si es necesario, para ganar aproximadamente 1/2" (1 cm). Si necesita instalar el soporte del cabezal en una madera de 2x4 (en la pared o en el techo), utilice tornillos tirafondos (no suministrados) para fijar de forma segura la madera de 2x4 a los soportes estructurales.

Abra la puerta en el punto más alto del recorrido tal como se muestra. Dibuje una línea horizontal de intersección en la pared del cabezal a 2" (5 cm) por arriba del punto alto. Esta altura proporcionará un espacio libre de recorrido para el borde superior de la puerta.

**NOTA:** Si el número total de pulgadas excede la altura disponible en su garaje, use la altura máxima posible, o consulte la página 16 para la instalación en el techo.



Puerta seccional con guía curva

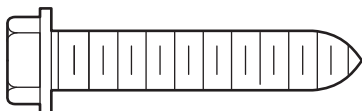
# Instalación

## 2 Instalar el soporte del cabezal

Puede conectar el soporte del cabezal a la pared por arriba de la puerta de garaje o al techo. Siga las instrucciones que sean mejores para sus requisitos particulares. **No instale el soporte del cabezal sobre un panel de yeso. Si se instala en mampostería, use anclajes para concreto (no se suministran).**

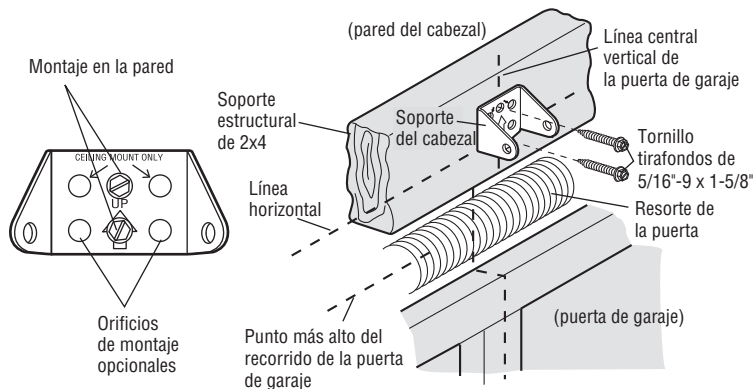
### HERRAJES

Tornillo tirafondos de 5/16"-9x1-5/8"



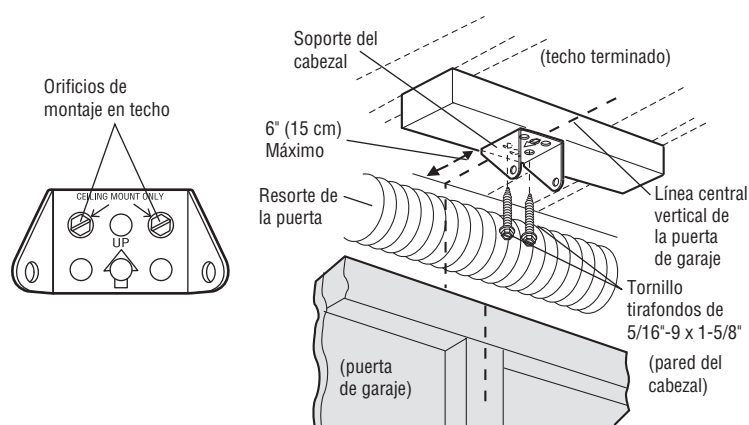
### OPCIÓN A - INSTALACIÓN EN LA PARED

1. Centre el soporte en la línea central vertical con el borde inferior del soporte en la línea horizontal tal como se muestra (con la flecha orientada hacia el techo).



### OPCIÓN B - INSTALACIÓN EN EL TECHO

1. Extienda la línea central vertical en el techo tal como se muestra.
2. Marque los orificios laterales. Taladre orificios piloto de 3/16" y sujete el soporte firmemente a un soporte estructural con los herrajes provistos.





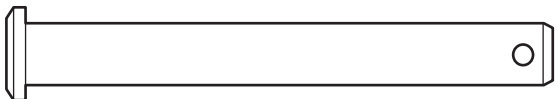
# Instalación

## 3 Fijar el riel al soporte del cabezal

1. Alinee el riel con el soporte del cabezal. Inserte el pasador de horquilla por los orificios en el soporte del cabezal y el riel. Fije con el sujetador de anillo.

**NOTA:** Use el material de embalaje como base protectora para el abrepuertas de garaje.

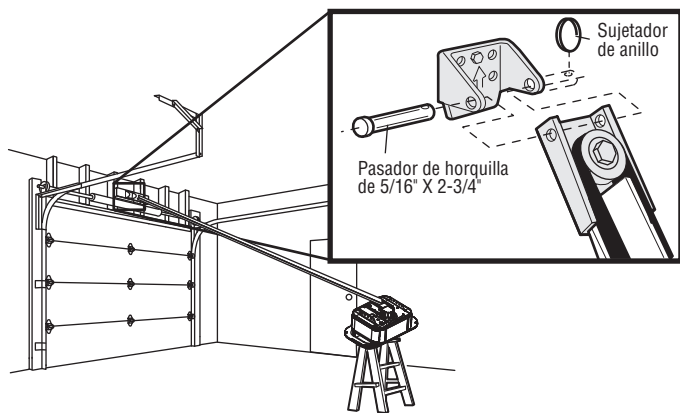
### HERRAJES



Pasador de horquilla de 5/16" x 2-3/4"



Sujetador de anillo



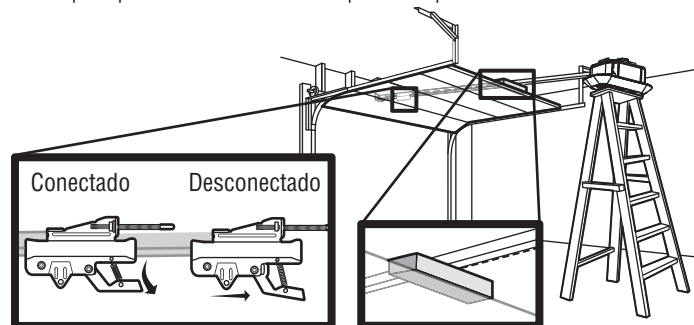
## 4 Coloque el abrepuertas de garaje

### ⚠ PRECAUCIÓN

Para evitar daños a la puerta de garaje, apoye el riel del abrepuertas de garaje sobre la madera de 2x4 colocada en la sección superior de la puerta.

1. Retire el material de embalaje y levante el abrepuertas de garaje sobre una escalera.
2. Abra completamente la puerta y coloque una madera de 2x4 (colocada plana) debajo del riel.

Una madera de 2x4 es ideal para establecer la distancia entre el riel y la puerta. Si la escalera no tiene la altura suficiente, necesitará ayuda en este momento. Si la puerta choca con el carro cuando se levanta, tire del brazo de liberación del carro para desconectar el carro interior y exterior. Deslice el carro exterior hacia el abrepuertas de garaje. El carro puede permanecer desconectado hasta que se le indique lo contrario.



# Instalación

## 5 Colgar el abrepuertas de garaje

### ADVERTENCIA

Para evitar posibles LESIONES GRAVES debido a la caída de un abrepuertas de garaje, sujételo FIRMEMENTE a los soportes estructurales del garaje. DEBEN usarse anclajes para concreto si se instala CUALQUIER soporte en mampostería.

La manera de colgar el abrepuertas de garaje dependerá de su garaje. Se muestran dos instalaciones representativas. La suya puede ser diferente. Los soportes colgantes deben estar en ángulo (Figura 1) para ofrecer un apoyo rígido. En techos acabados (Figura 2), fije un soporte de metal sólido a los soportes estructurales antes de instalar el abrepuertas. Este soporte y el herraje de sujeción no se suministran.

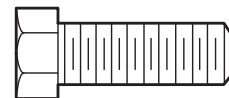
1. Mida la distancia desde cada lado de la unidad del motor al soporte estructural.
2. Corte ambas piezas del soporte colgante a las longitudes requeridas.
3. Taladre agujeros piloto de 3/16" para los soportes estructurales.
4. Fije un extremo de cada soporte de metal a un soporte estructural con tornillos tirafondos de 5/16"-18 x 1-7/8" (no se suministran).
5. Sujete el abrepuertas a los soportes colgantes con pernos hexagonales de 5/16"-18 x 7/8", arandelas de seguridad y tuercas.
6. Asegúrese de que el riel esté centrado sobre la puerta (o alineado con el soporte del cabezal si el soporte no está centrado sobre la puerta).
7. Quite la madera de 2x4. Opere la puerta manualmente. Si la puerta choca con el riel, levante el soporte del cabezal.

**NOTA:** NO vuelva a conectar la alimentación al abrepuertas por ahora.

### HERRAJES



Arandela de seguridad  
de 5/16"



Perno hexagonal  
de 5/16"- 18x7/8"



Tuerca  
de 5/16"-18

FIGURA 1

Techo sin terminar

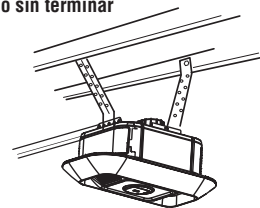


FIGURA 2

Techo terminado

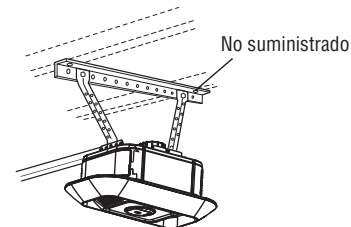
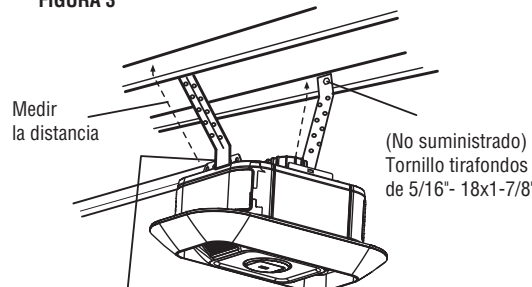


FIGURA 3



Perno hexagonal de 5/16"- 18x7/8", arandela de seguridad de 5/16", tuerca de 5/16"-18

# Instalación

## 6 Fijar la soga y manija de liberación de emergencia

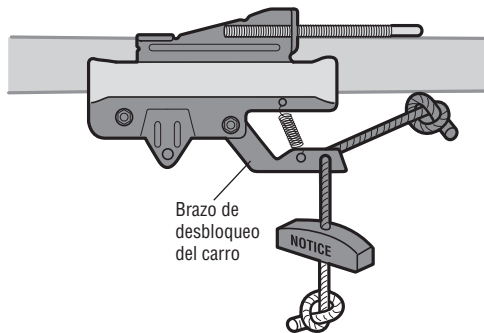
### **ADVERTENCIA**

Para evitar posibles LESIONES GRAVES o la MUERTE por la caída de la puerta de garaje:

- Si es posible, use la palanca de liberación de emergencia para desenganchar el carro SOLO cuando la puerta del garaje esté CERRADA. Los resortes débiles o rotos o una puerta no balanceada podrían causar que la puerta caiga rápido o de forma repentina.
- NUNCA use la palanca de liberación de emergencia a menos que la entrada del garaje esté libre de personas y sin obstrucciones.
- NUNCA use la manija para abrir o cerrar la puerta. Si se desata el nudo de la cuerda, podría caerse.

1. Inserte un extremo de la soga de liberación de emergencia a través de la manija. Asegúrese de que "NOTICE" esté boca arriba. Fije con un nudo alto a al menos 1" (2.5 cm) desde el extremo de la cuerda para evitar que se deslice.
2. Inserte el otro extremo de la soga de liberación de emergencia a través del orificio en el brazo de liberación del carro. Monte la liberación de emergencia al alcance pero al menos a 6 pies (1.83 m) por encima del piso, evitando el contacto con vehículos para evitar la liberación accidental, y fije con un nudo simple.

**NOTA:** De ser necesario cortar la soga de liberación de emergencia, selle el extremo cortado con un fósforo o encendedor para evitar que se desate. Asegúrese de que la soga y manija de liberación de emergencia estén por arriba de todos los vehículos para evitar enredos.



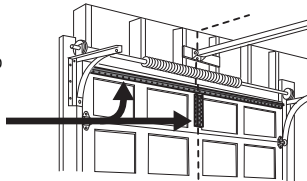
# Instalación

## 7 Instalación del soporte de la puerta

### ⚠ PRECAUCIÓN

Las puertas de garaje de fibra de vidrio, aluminio o de acero liviano **REQUERIRÁN** refuerzo ANTES de la instalación del soporte de la puerta. Comuníquese con el fabricante de la puerta de garaje o con el distribuidor de instalación para obtener instrucciones sobre refuerzos del abrepuertas o un kit de refuerzo.

Se necesita un refuerzo horizontal y vertical para puertas de garaje livianas (fibra de vidrio, aluminio, acero, puertas con paneles de vidrio, etc.) (no se suministran). Un soporte de refuerzo horizontal debe ser lo suficientemente largo como para ser fijado a dos o tres soportes verticales. Un soporte de refuerzo vertical debe cubrir la altura del panel superior. Comuníquese con el fabricante de la puerta de garaje o con el distribuidor de instalación para obtener instrucciones sobre refuerzos del abrepuertas o un kit de refuerzo.



**NOTA:** Muchos kits de refuerzo para puertas permiten la conexión directa del pasador de horquilla y el brazo de la puerta. En este caso, no necesitará el soporte de puerta; proceda al paso siguiente.

### PUERTAS SECCIONALES

1. Centre el soporte de la puerta en la línea central vertical ya marcada que se utiliza para la instalación del soporte del cabezal. Observe la colocación correcta de la posición UP (SUBIDA), tal como aparece impreso dentro del soporte.
2. Posicione el borde superior del soporte de 2"-4" (5-10 cm) debajo del borde superior de la puerta, O BIEN directamente debajo de cualquier soporte estructural a través de la parte superior de la puerta.
3. Marque, taladre orificios e instale tal como sigue, dependiendo de la construcción de su puerta:

### Puertas metálicas o livianas que usan un soporte de hierro angular vertical entre el soporte del panel de la puerta y en el soporte de la puerta:

- Taladre orificios de sujeción de 3/16". Fije el soporte de la puerta usando dos tornillos autorroscantes. (Figura 1)
- Como alternativa, use dos pernos de 5/16"-18x2", arandelas de seguridad y tuercas (no se suministran). (Figura 2)

### Puertas metálicas, aisladas o livianas reforzadas en la fábrica:

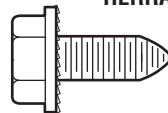
- Taladre orificios de sujeción de 3/16". Fije el soporte de la puerta usando los tornillos autorroscantes. (Figura 3)

### Puertas de madera:

- Use los orificios para el soporte de la puerta superior e inferior o de lado a lado. Taladre orificios de 5/16" a través de la puerta y fije el soporte con pernos de carrocería de 5/16"-18 x 2", arandelas de seguridad y tuercas (no se suministran). (Figura 4)

**NOTA:** Los tornillos autorroscantes de 1/4"-14 x 5/8" no están previstos para su uso en puertas de madera.

### HERRAJES



Tornillo autorroscante de 1/4"-14 x 5/8"

FIGURA 1

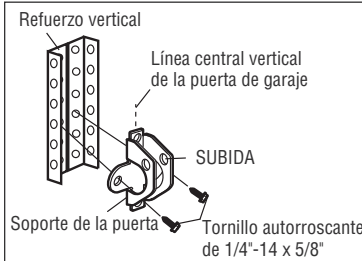


FIGURA 2

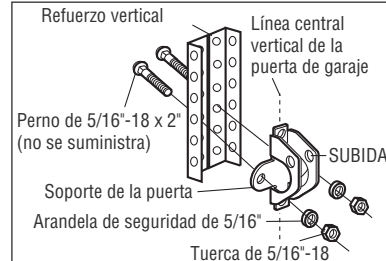


FIGURA 3

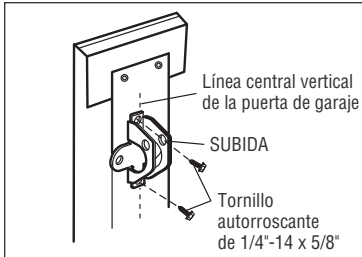
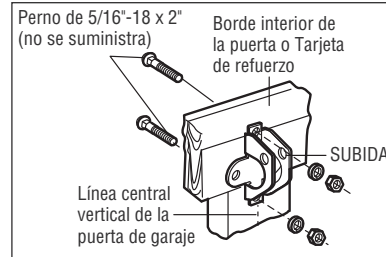


FIGURA 4



# Instalación

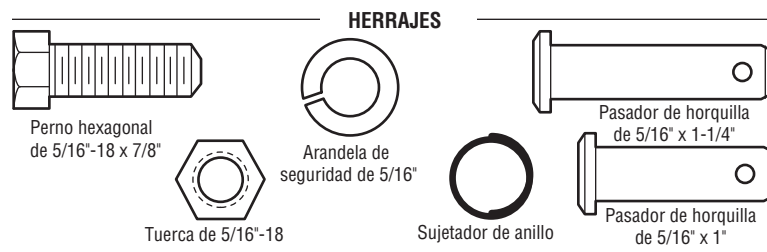
## 8 Conecte el brazo de la puerta al carro

**IMPORTANTE:** La ranura en el brazo recto de la puerta **DEBE** estar orientado en dirección opuesta al brazo curvo de la puerta.

1. Cierre la puerta. Desconecte el carro jalando de la manija de liberación de emergencia. Deslice el carro exterior hacia atrás (apartándolo de la puerta) unas 2" (5 cm).
2. Fije el brazo recto de la puerta al carro exterior con el pasador de horquilla. Fije con el sujetador de anillo.
3. Fije el brazo curvo de la puerta al soporte de la puerta con el pasador de horquilla. Fije con el sujetador de anillo.
4. Alinee el brazo recto de la puerta con el brazo curvo de la puerta. Seleccione dos orificios alineados (lo más apartados posible) y fijelos con los pernos, tuercas y arandelas de seguridad.

**NOTA:** Si los orificios no se alinean, invierta el brazo recto de la puerta. Seleccione dos orificios alineados (lo más apartados posible) y fijelos con los pernos, tuercas y arandelas de seguridad.

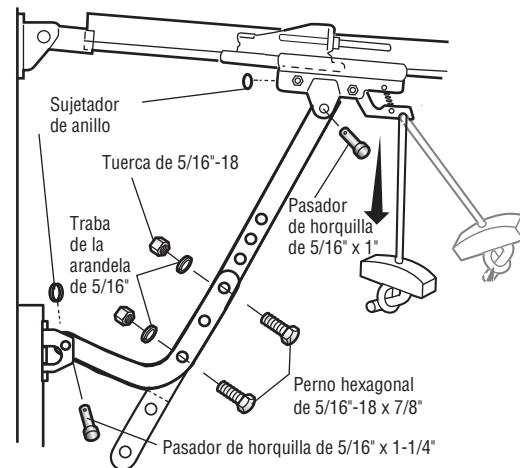
5. Jale de la manija de liberación de emergencia hacia el abrepuertas de garaje hasta que el brazo de liberación del carro quede horizontal. El carro se volverá a enganchar automáticamente cuando se active el abrepuertas de garaje.



**CORRECTO**



**INCORRECTO**



# Panel de control

## 1. Instalar el panel de control

### **ADVERTENCIA**

Para evitar posibles LESIONES GRAVES o la MUERTE por electrocución:

- Asegúrese de que la alimentación NO esté conectada ANTES de instalar el panel de control.
- Conecte el panel de control SOLO a cables de bajo voltaje de 12 VOLTIOS.

Para evitar posibles LESIONES GRAVES o la MUERTE por el cierre de la puerta de garaje:

- Instale el panel de control a la vista de la puerta de garaje, fuera del alcance de niños pequeños a una altura mínima de 5 pies (1.5 m) sobre pisos, descansos, escalones u otras superficies adyacentes de tránsito, y lejos de TODAS las piezas móviles de la puerta.
- NUNCA permita que los niños operen o jueguen con los botones pulsadores del panel de control o los transmisores del control remoto.
- SOLO active la puerta cuando pueda verse con claridad, esté correctamente ajustada y no haya obstrucciones al recorrido de la puerta.
- Mantenga SIEMPRE la puerta de garaje a la vista hasta que esté completamente cerrada. NUNCA permita que nadie se ponga en el camino de una puerta que se está cerrando.

## INTRODUCCIÓN

Compatible con los accesorios myQ® y Security+ 2.0, ver página 36. Su abrepuertas de garaje es compatible con hasta 2 paneles de control inteligentes o 4 de cualquier otro panel de control Security+ 2.0. **NOTA:** *los paneles de control más antiguos y los productos de terceros no son compatibles.*

Instale el control de la puerta a la vista de la puerta de garaje, fuera del alcance de niños pequeños a una altura mínima de 5 pies (1.5 m) sobre pisos, descansos, escalones u otras superficies adyacentes de tránsito, y lejos de TODAS las piezas móviles de la puerta. Para las instalaciones de cajas de distribución no es necesario taladrar orificios ni instalar los anclajes de yeso. Use los orificios existentes de la caja de distribución.

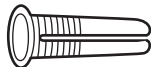
**NOTA:** *Su producto puede verse diferente al de las ilustraciones.*

### HERRAJES

Tornillo  
de 6/32" x 1"



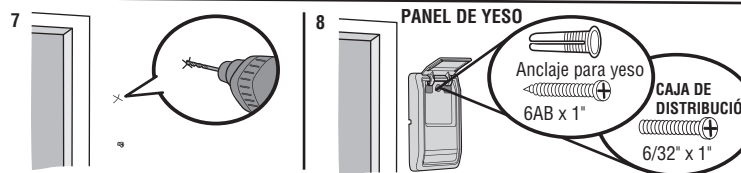
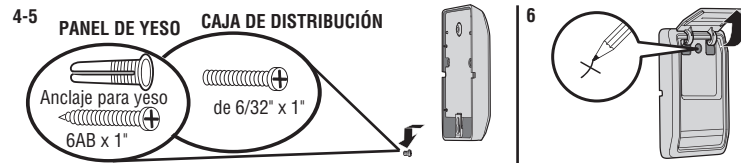
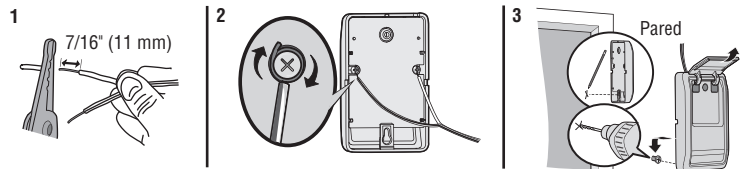
Anclajes para  
yeso (2)



Tornillo  
6AB x 1" (2)



1. Pele 7/16" (11 mm) de aislamiento de un extremo del cable y separe los cables.
2. Conecte un cable a cada uno de los dos tornillos en la parte trasera del panel de control. Los cables se pueden conectar a cualquiera de los tornillos.  
**INSTALACIONES PRE-CABLEADAS:** Elija dos cables cualesquiera para conectar, haga una nota de cuales cables se usaron de modo que los cables correctos se conecten al abrepuertas de garaje en un paso posterior.
3. Marque la ubicación del orificio de montaje inferior y taladre un orificio de 5/32".
4. Instale el tornillo inferior, dejando que sobresalga 1/8" (3 mm) de la pared.
5. Coloque el orificio inferior del panel de control sobre el tornillo y deslícelo hacia abajo hasta colocarlo en su lugar.
6. Levante la barra de empuje y marque el orificio superior.
7. Quite el panel de control de la pared y perforo un orificio de 5/32" para el tornillo superior.
8. Coloque el orificio inferior del panel de control sobre el tornillo y deslícelo hacia abajo hasta colocarlo en su lugar. Coloque el tornillo superior.

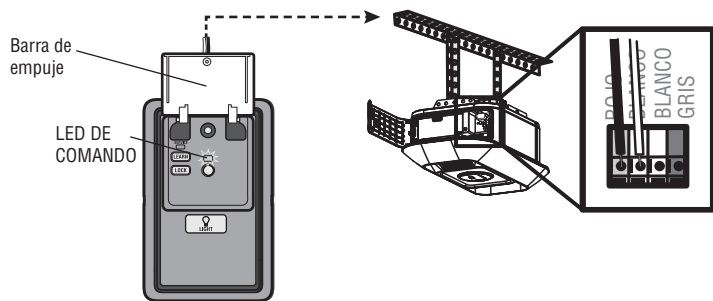


# Panel de control

## 2 Conecte el panel de control al abrepuertas de garaje

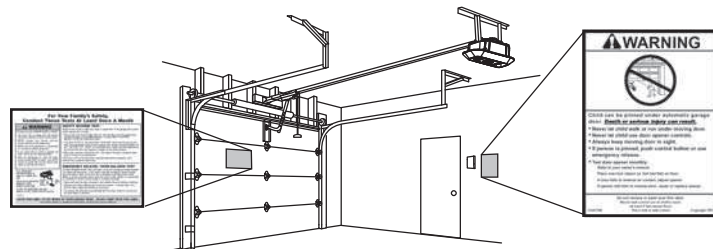
**INSTALACIONES PRE-CABLEADAS:** Cuando conecte el panel de control al abrepuerta de garaje, asegúrese de utilizar los mismos cables que están conectados al panel de control.

1. Pase el cable blanco y el cable rojo/blanco desde el panel de control hasta el abrepuertas de garaje. Fije el cable a la pared y al techo con grapas (no se aplica a las instalaciones con caja de distribución o precableadas). No perforo el cable con la grapa ya que puede causar un cortocircuito o abrir el circuito.
2. Pele 7/16" (11 mm) de aislamiento del extremo del cable cerca del abrepuertas de garaje.
3. Conecte el cable a los terminales rojo y blanco en el abrepuertas de garaje. Para insertar o liberar cables del terminal, presione la pestaña con la punta del destornillador.



## 3 Pegue las etiquetas de advertencia

1. Pegue la etiqueta de advertencia de atrapamiento en la pared cerca del panel de control con tachuelas o grapas.
2. Pegue la etiqueta de prueba de inversión de seguridad/liberación del manual en un lugar visible en el interior de la puerta del garaje.



# Instalar el Protector System®

## Introducción

### ⚠ ADVERTENCIA

Asegúrese de que la alimentación NO esté conectada al abrepuertas de garaje ANTES de instalar el sensor de inversión de seguridad.

Para evitar posibles LESIONES GRAVES o la MUERTE por el cierre de la puerta de garaje:

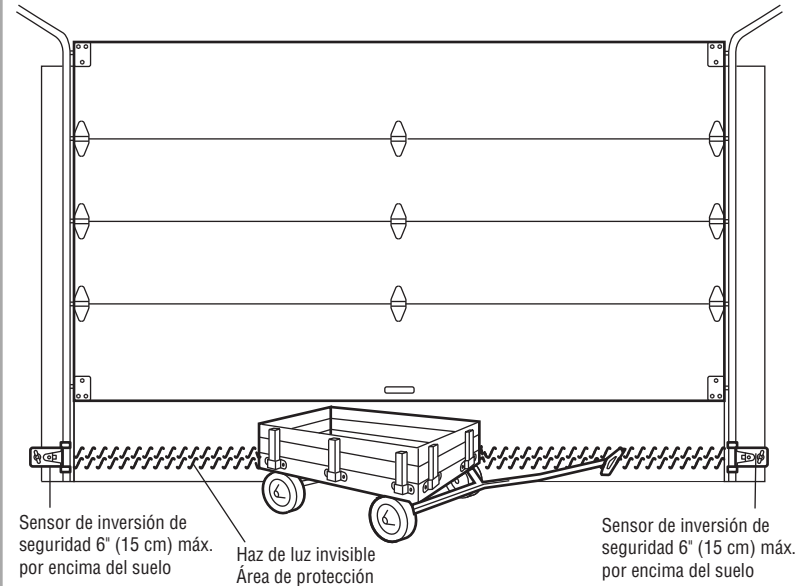
- Conecte y alinee correctamente el sensor de inversión de seguridad. Este dispositivo de seguridad requerido NO SE DEBE desactivar.
- Instale el sensor de inversión de seguridad de modo que el haz esté a una altura NO MAYOR a 6" (15 cm) sobre el piso del garaje.

**IMPORTANTE:** Los sensores de inversión de seguridad **DEBEN** estar conectados y alineados correctamente antes de que el abrepuertas de garaje se mueva en la dirección de bajada.

El Protector System® incluye dos sensores de inversión de seguridad que utilizan un haz de luz para evitar que la puerta del garaje se cierre. El sensor emisor (LED ámbar) transmite el haz al sensor receptor (LED verde) cuando ambos están alimentados y alineados. El sensor receptor (LED verde) tiene una etiqueta en el sensor para identificarlo como el sensor receptor antes de encenderlo. Si un obstáculo interrumpe el haz de luz mientras la puerta se está cerrando, esta se detendrá y retrocederá hasta la posición de apertura total. .

**Al instalar los sensores de inversión de seguridad, compruebe lo siguiente:**

- Que los sensores estén instalados DENTRO del garaje.
- Que las lentes de los sensores estén enfrentadas. **IMPORTANTE:** No permita que la luz del sol llegue directamente al sensor receptor (LED verde).
- Que el haz del sensor no esté a más de 6" (15 cm) del suelo y que el haz de luz no esté obstruido.
- Que el sensor receptor tenga una etiqueta de advertencia detrás.





# Instalar el Protector System®

## 1 Instale los sensores de inversión de seguridad

### HERRAJES

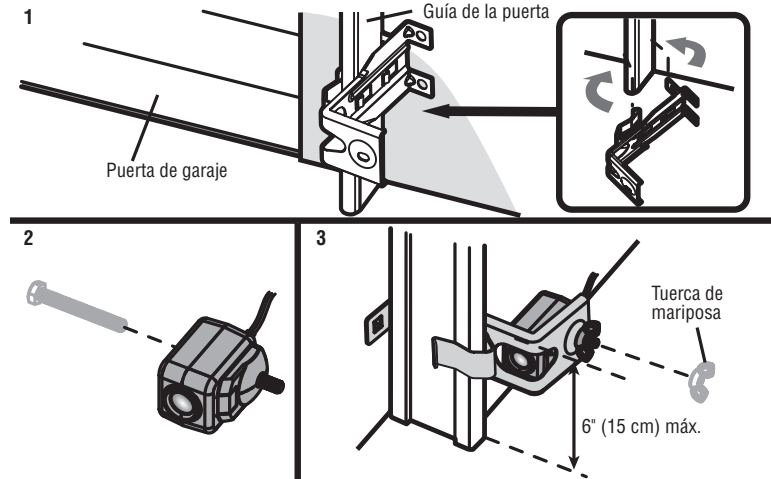


Los sensores de inversión de seguridad se diseñaron para engancharse en la guía de la puerta con los soportes de sensores suministrados. Si la guía de la puerta no puede sostener el soporte del sensor, se recomienda una instalación en la pared. El haz del sensor no debe estar a más de 6" (15 cm) del suelo.

### INSTALACIÓN DE LOS GUÍAS DE LA PUERTA

1. Coloque el brazo curvo/la presilla del soporte del sensor alrededor del borde de la guía de la puerta. Colóquelo en su lugar de forma que el soporte del sensor quede a ras de la guía.
2. Deslice el tornillo hexagonal por el sensor.
3. Fije el sensor al soporte con la tuerca de mariposa. Asegúrese de que el soporte no obstruya la lente.

Repita los pasos con el otro sensor de la guía de la puerta opuesta. Ambas lentes deben estar enfrentadas entre sí.

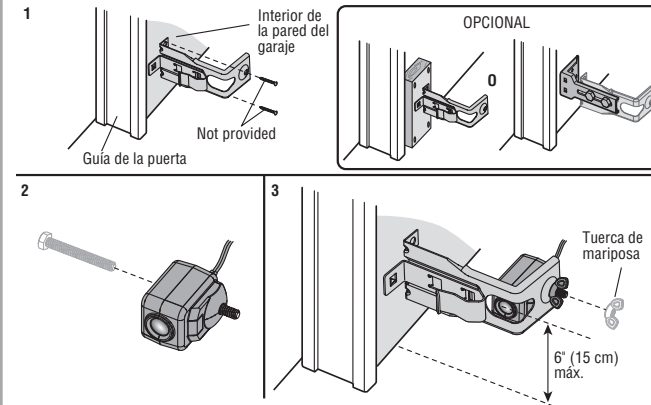


### INSTALACIÓN EN LA PARED

Asegúrese de que los soportes de cada lado estén apartados de las guías de la puerta y tengan la misma distancia de modo que los sensores se alineen correctamente. Si se requiere mayor distancia, use soportes de extensión 041A5281-1 (no se suministran) o bloques de madera.

1. Fije el soporte del sensor contra la pared con dos tornillos tirafondos (no se suministran).
2. Deslice el tornillo hexagonal por el sensor.
3. Fije el sensor al soporte con la tuerca de mariposa. Asegúrese de que el soporte no obstruya la lente.

Repita los pasos con el otro sensor en el lado opuesto de la puerta del garaje. Ambas lentes deben estar enfrentadas entre sí.

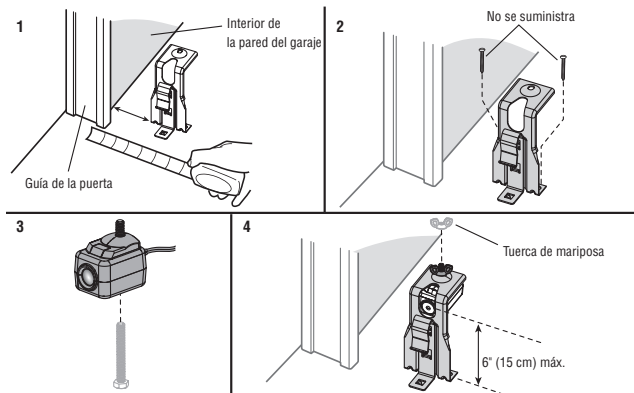


# Instalar el Protector System®

## INSTALACIÓN EN EL SUELO

1. Mida la posición de ambos soportes del sensor de modo que queden a la misma distancia de la pared y sin obstrucciones.
2. Conecte el soporte al piso con anclajes para concreto (no se suministran).
3. Deslice el tornillo hexagonal por el sensor.
4. Fije el sensor al soporte con la tuerca de mariposa. Asegúrese de que el soporte no obstruya la lente.

Repita los pasos con el otro sensor en el lado opuesto de la puerta del garaje. Ambas lentes deben estar enfrentadas entre sí.

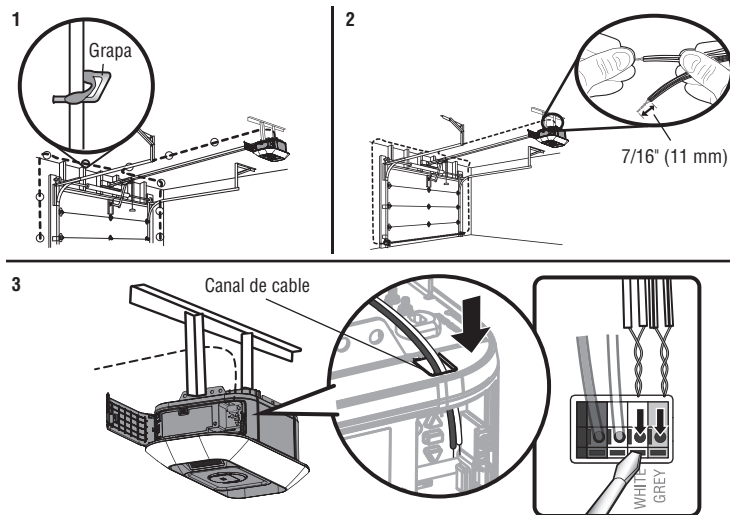


## 2 Conectar los sensores de inversión de seguridad

**INSTALACIONES PRE-CABLEADAS:** Si su garaje tiene un cableado previo para los sensores de inversión de seguridad, vea la página 27.

### OPCIÓN A - INSTALACIÓN SIN PRECABLEADO

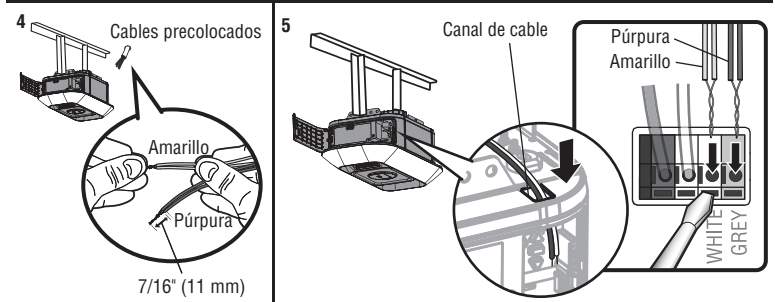
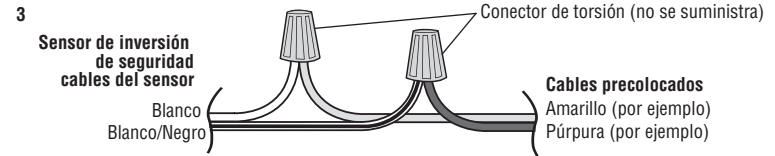
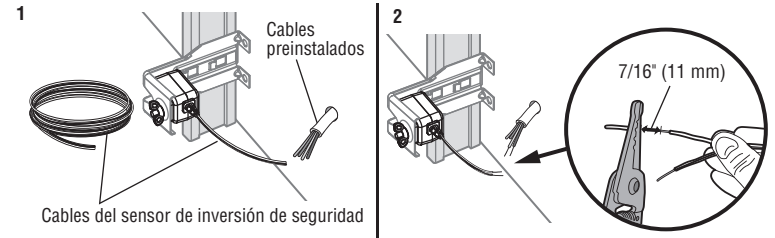
1. Pase el cable hasta el abrepuertas de garaje y fíjelo. Fije con grapas, pero NO perforo el cable.
2. Separe los cables del sensor y pele el aislamiento de los extremos. Retuerza entre sí los dos cables blancos. Luego, retuerza entre sí los dos cables blanco/negro.
3. Con un destornillador, empuje las pestañas del terminal e inserte los cables blancos en el terminal blanco. Inserte los cables blanco/negro en el terminal gris.



# Instalar el Protector System®

## OPCIÓN B - INSTALACIÓN CON PRECABLEADO

1. Corte los cables del sensor y asegúrese de que quede suficiente cable para llegar a los cables precolocados de la pared.
2. Separe los cables del sensor y pele el aislamiento de los extremos. Elija dos tipos de cables precolocados y pele el aislamiento de los extremos. Elija el mismo color de cables precolocados para cada sensor.
3. Conecte los cables precolocados a los cables del sensor con tuercas mariposa y asegúrese de que los colores correspondan a cada sensor.
4. En el abrepuertas de garaje pele el extremo de los cables ya conectados a los sensores. Retuerza entre sí los cables del mismo color.
5. Con un destornillador, empuje las pestañas del terminal e inserte el cable de color conectado al cable blanco del sensor en el terminal blanco. Inserte el cable del otro color conectado al cable blanco/negro del sensor en el terminal gris.



# Alimentación

## 1 Conexión de la alimentación

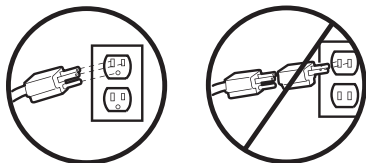
### ADVERTENCIA

Para evitar posibles LESIONES GRAVES o la MUERTE por electrocución o incendio:

- Asegúrese de que la alimentación NO esté conectada al abrepuertas, y de desconectar la alimentación al circuito ANTES de quitar la cubierta para establecer una conexión de cableado permanente.
- La instalación de la puerta del garaje y el cableado DEBEN cumplir con TODOS los códigos de construcción y electricidad locales.
- NUNCA use una extensión, un adaptador de dos cables ni cambie el enchufe de NINGUNA manera para que encaje en el tomacorriente. Asegúrese de que el abrepuertas esté conectado a tierra.

**Para evitar dificultades en la instalación, no active el abrepuertas de garaje en este momento.**

Para reducir el riesgo de descarga eléctrica, el abrepuertas de garaje tiene un enchufe con conexión a tierra mediante una tercera clavija. Este enchufe sólo encajará de una manera en un tomacorriente con conexión a tierra. Si el enchufe no encaja en el tomacorriente, llame a un electricista capacitado para instalar uno adecuado.

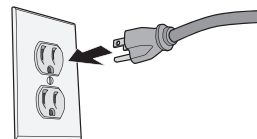


HAY DOS OPCIONES PARA CONECTAR LA ALIMENTACIÓN:

### OPCIÓN A: CABLEADO TÍPICO

1. Enchufe el abrepuertas de garaje en un tomacorriente conectado a tierra.
2. NO ponga en funcionamiento el abrepuertas de garaje en este momento.

#### CABLEADO TÍPICO

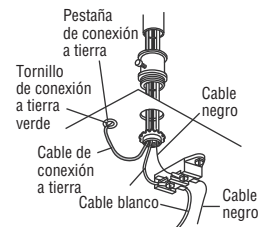


### OPCIÓN B: CABLEADO PERMANENTE

Si el código eléctrico local requiere un cableado permanente, consulte el siguiente procedimiento. Para hacer una conexión permanente a través del orificio de 7/8" en la parte superior de la unidad del motor (de acuerdo con el código local):

1. Quite los tornillos de la cubierta de la unidad del motor y aparte la cubierta.
2. Quite el cable de 3 clavijas colocado.
3. Conecte el cable negro (de línea) al tornillo en el terminal color cobre; el cable blanco (neutro) al tornillo en el terminal color plata; y el cable de conexión a tierra al tornillo verde de conexión a tierra. **El abrepuertas debe estar conectado a tierra.**
4. Reinstale la cubierta.

#### CABLEADO PERMANENTE

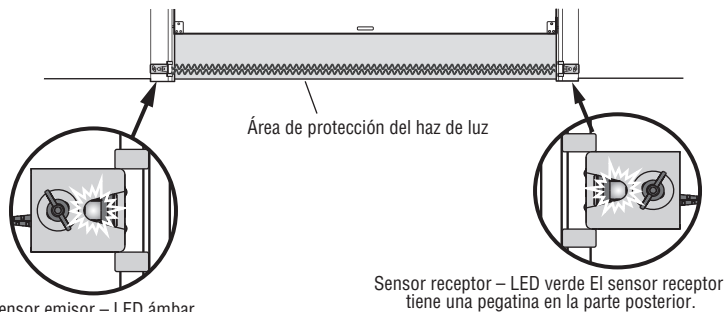


# Alimentación

## 2 Alinee los sensores de inversión de seguridad

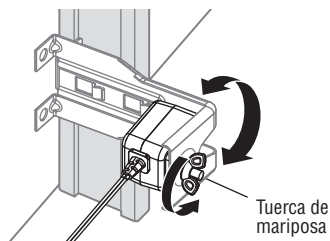
**IMPORTANTE:** Los sensores de inversión de seguridad **DEBEN** estar conectados y alineados correctamente antes de que el abrepuertas de garaje se mueva en la dirección de bajada.

Cuando el abrepuertas de garaje reciba alimentación, verifique los sensores de inversión de seguridad. Si los sensores están bien alineados y cableados, ambos LED se encenderán de manera fija.



### Para alinear los sensores de inversión de seguridad:

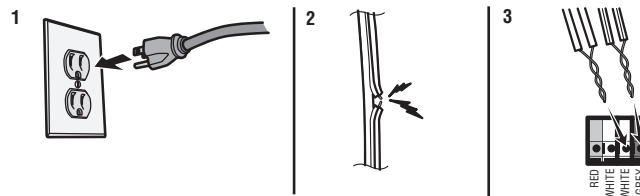
1. Afloje las tuercas de mariposa.
2. Ajuste los sensores hacia arriba o abajo hasta que ambos LED se enciendan de manera fija, lo cual indica que están alineados.
3. Apriete la tuerca de mariposa para fijar el sensor.



## SOLUCIÓN DE PROBLEMAS DEL SENSOR DE SEGURIDAD

Si alguno de los LED del sensor está apagado, el sensor no está recibiendo alimentación eléctrica.

1. Verifique que reciba alimentación en el abrepuertas de garaje.
2. Verifique que el cable del sensor no esté en cortocircuito o roto.
3. Verifique que los sensores estén bien conectados; los cables blancos en el terminal blanco y los cables blanco/negro en el terminal gris.



Si el LED del sensor receptor verde está parpadeando, los sensores están obstruidos o desalineados.

1. Verifique si hay obstrucciones en el haz de luz del sensor.
2. Alinear los sensores.
3. Si el sensor de recepción (LED verde) está de frente a la luz solar directa, cambie la posición del sensor receptor con el sensor de transmisor y repita el paso 1. Instalar el sensor de inversión de seguridad en la página 25 para asegurar un funcionamiento adecuado.

## 3 Asegúrese de que el panel de control esté cableado correctamente

Si el panel de control se ha instalado y cableado correctamente, el LED de comando detrás de la barra de empuje parpadeará.

# Ajustes

## 1 - Programar el recorrido

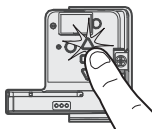
### **ADVERTENCIA**

Sin un sistema de inversión de seguridad correctamente instalado, las personas (en particular, los niños pequeños) podrían sufrir **GRAVES LESIONES** o **MUERTE** como consecuencia del cierre de la puerta del garaje.

- Un ajuste incorrecto de los límites de recorrido de la puerta del garaje interferirá con la operación correcta del sistema de inversión de seguridad.
- Después de hacer CUALQUIER ajuste, DEBE probarse el sistema de inversión de seguridad. La puerta DEBE invertir su dirección de movimiento al entrar en contacto con un objeto de 1-1/2" (3.8 cm) de alto (o de 2x4 colocado plano) sobre el piso.

**Nota:** Mientras programa el desplazamiento, los botones UP (SUBIDA) y DOWN (BAJADA) se pueden usar para mover la puerta según sea necesario. Durante la configuración de fuerza automática, la puerta se abrirá y cerrará automáticamente.

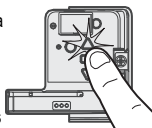
1 Mantenga presionado el botón de ajuste hasta que el botón UP (SUBIDA) comience a parpadear y/o se escuche un pitido. Los sensores de inversión de seguridad estarán desconectados durante el proceso de programar el recorrido.



2 Mantenga presionado el botón UP (SUBIDA) hasta que la puerta alcance la posición de SUBIDA deseada.



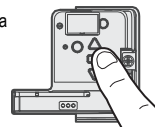
3 Una vez que la puerta esté en la posición UP (SUBIDA) deseada, presione y suelte el botón de ajuste. Las luces del abrepuertas de garaje parpadearán dos veces y el botón UP (SUBIDA) comenzará a parpadear.



4 Mantenga presionado el botón DOWN (BAJADA) hasta que la puerta alcance la posición de BAJADA deseada.



5 Una vez que la puerta esté en la posición DOWN (BAJADA) deseada, presione y suelte el botón de ajuste. Las luces del abrepuertas de garaje



parpadearán dos veces. Se completó el proceso de programar el recorrido. Si las luces del abrepuertas de garaje parpadean 5 veces, entonces se ha llegado al límite de tiempo de programación y los límites de desplazamiento no se han fijado. Reinicie el proceso de programar el recorrido.

## 2 - Configuración de fuerza automática

Una vez establecidas manualmente las posiciones de subida y bajada, los sensores de inversión de seguridad se reconectarán y se tomarán operacionales. Seguidamente, el abrepuertas ingresará en una operación de detección de fuerza al mover la puerta automáticamente para abrirla y cerrarla. El abrepuertas de garaje emitirá una alerta visual y audible antes de abrir y cerrar la puerta automáticamente. El abrepuertas de garaje emitirá un pitido tres veces, confirmando de este modo que se ha completado con éxito la configuración de fuerza automática. El ajuste está completo.

Si oye un pitido largo después de que la puerta intenta moverse, entonces no se ha completado satisfactoriamente la configuración de fuerza automática. Vuelva a iniciar el procedimiento a partir del paso 1 de Programar el recorrido.



# Ajustes

## 3 - Probar el sistema de inversión de seguridad

### **ADVERTENCIA**

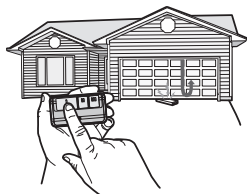
Sin un sistema de inversión de seguridad correctamente instalado, las personas (en particular, los niños pequeños) podrían sufrir **GRAVES LESIONES** o **MUERTE** como consecuencia del cierre de la puerta del garaje.

- El sistema de inversión de seguridad **DEBE** comprobarse cada mes.
- Después de hacer **CUALQUIER** ajuste, **DEBE** probarse el sistema de inversión de seguridad. La puerta **DEBE** invertir su dirección de movimiento al entrar en contacto con un objeto de 1-1/2" (3.8 cm) de alto (o de 2x4 colocado plano) sobre el piso.

1 Con la puerta completamente abierta, coloque una tabla de 1-1/2 pulg. (3.8 cm) (o una de 2x4 colocada plana) sobre el piso, centrada debajo de la puerta del garaje.



2 Presione el botón pulsador de control remoto para cerrar la puerta. La puerta **DEBE** invertir la dirección de movimiento cuando entre en contacto con la tabla.



Si la puerta se detiene pero no invierte su sentido de movimiento:

1. Repita Programar el recorrido (consulte el paso 1 de Ajuste):
2. Repita la prueba de inversión de seguridad.

Si la prueba sigue fallando, llame a un técnico capacitado en sistemas de puertas.

## 4 - Probar el sistema Protector System®

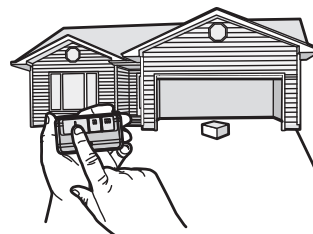
### **ADVERTENCIA**

Sin un sistema de inversión de seguridad correctamente instalado, las personas (en particular, los niños pequeños) podrían sufrir **GRAVES LESIONES** o **MUERTE** como consecuencia del cierre de la puerta del garaje.

1 Abra la puerta. Coloque una obstrucción en la trayectoria de la puerta.



2 Presione el botón pulsador de control remoto para cerrar la puerta. La puerta no se moverá más de una pulgada (2.5 cm).



El abrepuertas de garaje no cerrará desde un control remoto si el LED en cualquiera de los sensores de inversión de seguridad está apagado (alertándole del hecho de que el sensor está mal alineado u obstruido).

Si el abrepuertas de garaje cierra la puerta cuando el sensor de inversión de seguridad está obstruido (y los sensores no están a más de 6" [15 cm] sobre el piso), llame a un técnico capacitado en sistemas de puertas.

# Batería de respaldo\*

## 1 Instalar la batería

### ⚠ ADVERTENCIA

Para reducir el riesgo de INCENDIO o LESIONES:

- Desconecte TODA alimentación eléctrica y de batería ANTES de realizar CUALQUIER servicio o mantenimiento.
- Use SOLO la pieza # 485LM de LiftMaster para reemplazar la batería.
- NO deseche la batería quemándola. La batería puede explotar. Consulte las normas locales las instrucciones especiales para desecharlas.

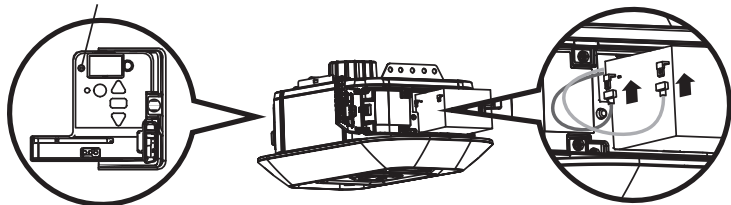
### ⚠ PRECAUCIÓN

Use SIEMPRE guantes protectores y protectores para la vista al cargar la batería o al trabajar cerca del compartimento de la batería.

La traba automática de la puerta del garaje se desbloqueará cuando se abra la puerta del garaje y permanecerá desactivada hasta que se restablezca la electricidad.\*

1. Desenchufe el abrepuertas de garaje.
2. Abra la puerta del panel de control.
3. Inserte parcialmente la batería en el compartimento de la batería con los terminales como se muestran.
4. Conecte los cables rojo (+) y negro (-) del abrepuertas de garaje a los terminales correspondientes en la batería.
5. Inserte la batería por completo y cierre la puerta del panel de control.

LED de estado de la batería

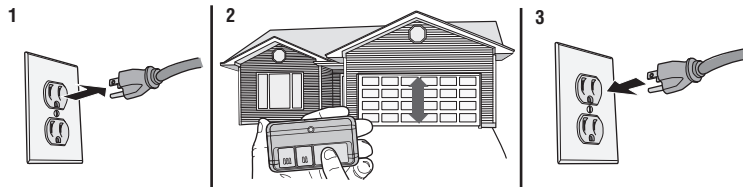


\* Si es aplicable.

## 2. Probar la batería

En función del nivel de energía, la batería puede necesitar que la cargue antes de realizar la prueba. El abrepuertas de garaje debe desenchufarse para probar la batería.

1. Desenchufe el abrepuertas de garaje. El LED de estado de la batería se iluminará en color naranja fijo para indicar que el abridor está funcionando con energía de la batería o parpadeará para indicar que la energía de la batería es baja. **NOTA:** Asegúrese de que el abrepuertas de garaje esté desenchufado.
2. Abra y cierre la puerta con el control remoto o el panel de control. **NOTA:** El abrepuertas de garaje puede funcionar más lento si la batería no está completamente cargada. La batería tardará 24 horas en cargarse por completo.
3. Abra y cierre la puerta con el control remoto o el panel de control. Mientras el motor está encendido, el LED de estado de la batería se iluminará en color naranja fijo para indicar que el abridor está funcionando con energía de la batería o parpadeará para indicar que la energía de la batería es baja. **NOTA:** El abrepuertas de garaje puede funcionar más lento si la batería no está completamente cargada.
4. Enchufe el abrepuertas de garaje. Verifique que el LED de estado de la batería esté parpadeando en verde, lo que indica que la batería se está cargando.



## 3 Cargue la batería

La batería se carga cuando el abrepuertas de garaje está enchufado a un tomacorriente que tenga alimentación y requiere 24 horas para cargarse por completo. Una batería completamente cargada suministra 12 V CC al abrepuertas de garaje hasta por 24 horas de funcionamiento normal durante un corte de electricidad. Una vez restaurada la alimentación, la batería se recargará en 24 horas. La batería durará aproximadamente entre 1 o 2 años con un uso normal.

**NOTA:** Cuando la puerta del garaje está en el modo de batería de respaldo las luces de la puerta del garaje, el temporizador de cierre, el cierre remoto, y las funciones de la cámara no están disponibles.

En el modo de batería de respaldo, la traba automática de la puerta del garaje se desbloqueará cuando se abra la puerta del garaje y permanecerá desactivada hasta que se restablezca la energía.\*

\* Si es aplicable.



# Batería de respaldo\*

## LED de estado de la batería

### LED VERDE:

Todos los sistemas están normales.

- Un LED verde fijo indica que la batería está completamente cargada.
- Un LED verde parpadeante indica que la batería se está cargando.

### LED NARANJA:

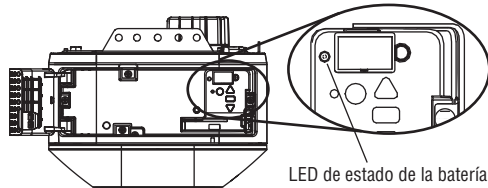
El abrepuertas de garaje ha perdido alimentación y está en modo de batería de respaldo.

- Un LED naranja fijo mientras el motor está encendido indica que el abrepuertas de garaje se está alimentando con la batería.
- Un LED naranja parpadeante mientras el motor está encendido indica que la batería está descargada.
- El abrepuertas emite un pitido cada 2 segundos mientras se alimenta con la batería.

### LED ROJO:

Se debe reemplazar la batería.

- Un LED rojo fijo indica que la batería ya no puede almacenar carga. Compre una batería de repuesto a fin de permitir que su sistema funcione durante un corte de electricidad.



\* Si es aplicable.

# INSTRUCCIONES IMPORTANTES DE SEGURIDAD

## **ADVERTENCIA**

### Para reducir el riesgo de **LESIÓN GRAVE o MUERTE:**

1. LEA Y SIGA TODAS LAS ADVERTENCIAS E INSTRUCCIONES.
2. SIEMPRE mantenga los controles remotos fuera del alcance de los niños. NUNCA permita que los niños operen o jueguen con los botones del panel de control del garaje o los controles remotos.
3. SÓLO active la puerta del garaje cuando esta pueda verse claramente, esté correctamente ajustada y no haya obstrucciones en el recorrido de la puerta.
4. SIEMPRE mantenga la puerta del garaje a la vista y lejos de personas y objetos hasta que esté completamente cerrada. NADIE DEBE CRUZAR EL CAMINO DE LA PUERTA MÓVIL.
5. NADIE DEBE PASAR DEBAJO DE UNA PUERTA PARCIALMENTE ABIERTA Y PARADA.
6. Si es posible, use la palanca de liberación de emergencia para desenganchar el carro SOLO cuando la puerta del garaje esté CERRADA. Tenga cuidado al utilizar esta liberación con la puerta abierta. Los resortes débiles o rotos o la puerta desequilibrada pueden hacer que la puerta abierta caiga rápida y/o inesperadamente y aumente el riesgo de LESIONES GRAVES o LA MUERTE.
7. NUNCA use la palanca de liberación de emergencia a menos que la entrada del garaje esté libre de personas y sin obstrucciones.
8. NUNCA use la palanca para abrir o cerrar la puerta del garaje. Si se desata el nudo de la cuerda, podría caerse.
9. Después de hacer CUALQUIER ajuste, DEBE probarse el sistema de inversión de seguridad.
10. El sistema de inversión de seguridad DEBE comprobarse cada mes. La puerta DEBE invertir la marcha al contacto con un objeto de 1-1/2" (3.8 cm) de alto (o 2x4 colocado plano) en el piso. Si no se ajusta correctamente el abrepuertas de garaje, aumenta el riesgo de ocasionar LESIONES GRAVES o MUERTE.
11. MANTENGA SIEMPRE LA PUERTA DEL GARAJE CORRECTAMENTE EQUILIBRADA (consulte la página 4). Una puerta mal balanceada podría NO invertirse cuando sea necesario y causar LESIONES GRAVES o LA MUERTE.
12. Un técnico capacitado en sistemas de puertas DEBE realizar TODAS las reparaciones a cables, conjuntos de resortes y otros herrajes; TODOS están bajo tensión EXTREMA.
13. Para evitar interferencias con la operación adecuada del abrepuertas de garaje al utilizar una soldadora en el garaje, desenchufe el abrepuertas de garaje antes de utilizar la soldadora.
- 14.
15. Este sistema del operador viene equipado con una característica de funcionamiento sin supervisión. La puerta podría moverse de forma inesperada. NADIE DEBE CRUZAR EL CAMINO DE LA PUERTA MÓVIL.
16. NO debe instalarse en una puerta de una sola pieza si se utilizan dispositivos o funciones que proporcionen un cierre sin supervisión. Los dispositivos y las funciones sin supervisión deben usarse SOLO con puertas seccionales.

## **17. GUARDE ESTAS INSTRUCCIONES.**

# Funcionamiento

## Funciones

Su abrepuertas de garaje está equipado con funciones que le brindan un mayor control sobre el funcionamiento de la puerta de su garaje.

### ALERT2CLOSE

La función Alert2Close proporciona una alerta visual y audible de que se está cerrando una puerta desatendida.

### TEMPORIZADOR PARA CERRAR (TTC)\*

La función TTC cierra la puerta automáticamente después de un período de tiempo especificado que puede ajustarse usando un control de puerta activado por TTC (Modelos 881LMW o 880LMW). Antes del cierre de la puerta y durante el mismo, las luces del abrepuertas de garaje parpadearán y el abrepuertas de garaje emitirá un pitido.

### MYQ

myQ® le permite controlar su abrepuertas de garaje desde su dispositivo móvil desde cualquier lugar. La tecnología myQ® utiliza una señal de 900 MHz para proporcionar comunicación bidireccional entre el abrepuertas de garaje y los accesorios habilitados para myQ®.

El abrepuertas de garaje tiene una pasarela interna que permite que el abrepuertas de garaje se comuniquen directamente con una red Wi-Fi® de la casa y acceda a su cuenta myQ®.

### THE PROTECTOR SYSTEM® (SENSORES DE INVERSIÓN DE SEGURIDAD)

Cuando están conectados y alineados correctamente, los sensores de inversión de seguridad detectarán una obstrucción en el camino del haz infrarrojo. Si una obstrucción interrumpe el haz infrarrojo mientras la puerta se cierra, esta se detendrá y retrocederá hasta la posición de apertura total. Si la puerta está completamente abierta y los sensores de inversión de seguridad no están instalados o están desalineados, la puerta no se cerrará con un control remoto. Sin embargo, puede cerrar la puerta si mantiene presionado el botón en el panel de control o en la entrada inalámbrica sin llave hasta que la puerta esté completamente cerrada. Los sensores de inversión de seguridad no afectan el ciclo de apertura. Para obtener más información, consulte la página 24.

### LUCES

Las luces LED integradas del abrepuertas de garaje se encenderán cuando el abrepuertas se enchufe inicialmente, cuando la energía se restablezca después de una interrupción o cuando se active el abrepuertas de garaje. Las luces se apagarán automáticamente después de 4-1/2 minutos.

## USO DE SU ABREPUERTAS DE GARAJE

Cuando la puerta está cerrada y el abrepuertas de garaje está activado, se abrirá la puerta. Si la puerta entra en contacto con una obstrucción durante la apertura, la puerta se detendrá, el abrepuertas emitirá un pitido y las luces parpadearán 5 veces. Cuando la puerta está en cualquier posición diferente de la posición cerrada y el abrepuertas de garaje está activado, se cerrará la puerta. Si la puerta de garaje entra en contacto con una obstrucción mientras está cerrando, la puerta invertirá la dirección de movimiento, el abrepuertas emitirá un pitido y las luces parpadearán 5 veces. Sin embargo, puede cerrar la puerta si mantiene presionado el botón en el panel de control o en la entrada inalámbrica sin llave hasta que la puerta esté completamente cerrada.

Los sensores de inversión de seguridad no afectan el ciclo de apertura. El sensor de inversión de seguridad debe estar conectado y alineado correctamente antes de que el abrepuertas de garaje pueda moverse en la dirección de bajada.

### BATERÍA DE RESPALDO\*

El sistema de batería de respaldo permite la entrada y salida de su garaje, incluso cuando no haya energía. Cuando el abrepuertas de garaje funciona con batería, el abrepuertas de garaje funcionará más lento, la luz no funcionará, el LED de estado de la batería se iluminará en color naranja fijo y sonará un pitido aproximadamente cada 2 segundos.

### CÁMARA\*

Transmita en vivo lo que está sucediendo en su garaje con la cámara incorporada de su abrepuertas de garaje. Simplemente conecte su abridor a Wi-Fi y establezca una cuenta con la aplicación myQ®. Para obtener más información, consulte la página 37.

### CERRADURA AUTOMÁTICA PARA PUERTAS DE GARAJE\*

Los modelos de abrepuertas de garaje que cuentan con Security Shield son compatibles con la cerradura automática para puertas de garaje LiftMaster (modelo 841LM).

\*Si es aplicable.

# Funcionamiento

## Conexión con su smartphone

El abrepuertas de garaje con Wi-Fi es compatible con hasta 16 accesorios habilitados para myQ®. Se pueden emparejar hasta 10 dispositivos con la pasarela interna del abrepuertas de garaje con Wi-Fi. Estos dispositivos se pueden controlar con la aplicación myQ®. Estos dispositivos incluyen cualquier combinación de abrepuertas de garaje myQ®, abrepuertas de garaje con Wi-Fi, controles de luz myQ®, operadores de puerta myQ® u operadores de puertas comerciales myQ®. Se puede agregar una pasarela de internet LiftMaster (828LM) si necesita controlar más de 10 dispositivos usando la aplicación myQ®. Se pueden emparejar hasta 6 dispositivos con el abrepuertas de garaje (controlado por el abrepuertas de garaje a través de 900MHz). Estos dispositivos incluyen cualquier combinación de controles de luz myQ® o un monitor de puerta de garaje y portón.

### NECESITARÁ:

- Wi-Fi habilitado en un smartphone, una tableta o una computadora portátil
- Conexión a Internet de banda ancha
- Señal Wi-Fi en el garaje (se requiere 2.4 GHz, 802.11b/g/n), vea la página 3
- Contraseña para su internet doméstica (la cuenta principal del enrutador, no la red de invitados)
- Número de serie de myQ® ubicado en el abrepuertas de garaje

### DESCARGUE LA APLICACIÓN MYQ®, CONFIGURE SU CUENTA Y CONÉCTESE

Abra y cierre su puerta, reciba alertas y establezca horarios desde cualquier lugar. Los abrepuertas de garaje inteligentes conectados también reciben actualizaciones de software para garantizar que tengan las funciones más recientes.

El abrepuertas de garaje debe funcionar durante un ciclo completo para poder activar la programación Wi-Fi®.

1. Descargue la aplicación myQ®.
2. Cree una cuenta y conéctese.

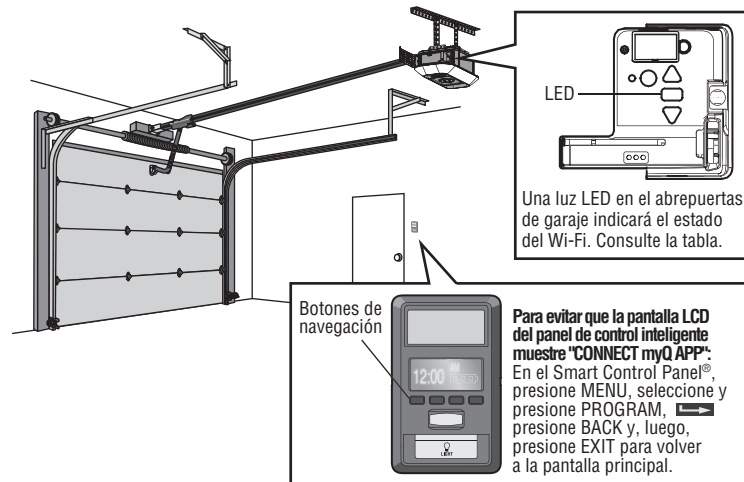
Si ya tiene la aplicación myQ® instalada:

1. Compruebe que su dispositivo móvil disponga del software más reciente.
2. Descargue la versión más reciente de la aplicación myQ®.



Para obtener más información sobre la conexión de su abrepuertas de garaje, visite [support.LiftMaster.com](http://support.LiftMaster.com).

Google Play y el logotipo de Google Play son marcas comerciales de Google LLC.  
App Store y los logotipos de Apple y App Store son marcas comerciales de Apple Inc.



Estado del Wi-Fi	
LED	Definición
Azul	<b>Apagado:</b> el Wi-Fi® no está encendido. <b>Parpadeante:</b> el abrepuertas de garaje está en el modo learn (aprender) del Wi-Fi®. <b>Sólido:</b> dispositivo móvil conectado al abrepuertas de garaje.
Azul y Verde	<b>Parpadeante:</b> intentando conectarse al enrutador.
Verde	<b>Parpadeante:</b> intentando conectarse al servidor de Internet. <b>Sólido:</b> se ha configurado el Wi-Fi® y el abrepuertas de garaje está conectado a Internet.

### NOTAS:

El control de la aplicación myQ® NO funcionará si el abrepuertas de garaje está funcionando con la batería.  
Para borrar los ajustes de Wi-Fi, vea la página 1.

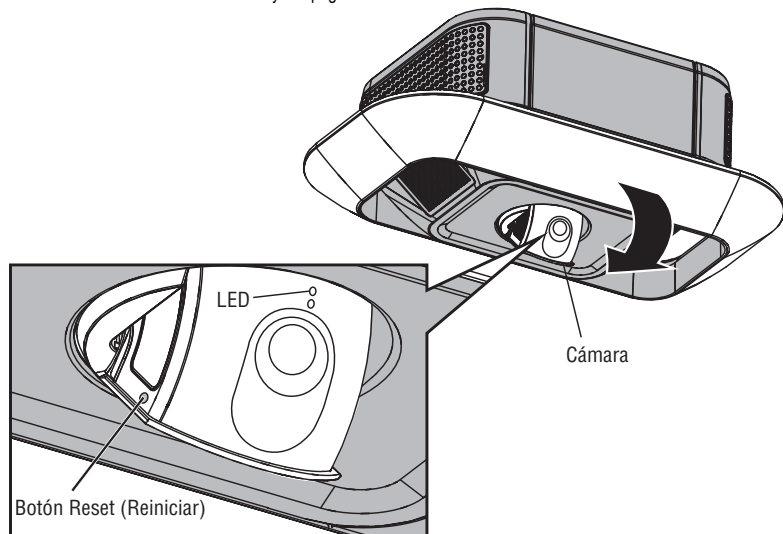
# Funcionamiento

## Configuración de la cámara - Modelo 87504-267

1. Descargue la aplicación myQ® y establezca su cuenta si aún no lo ha hecho, consulte la página 36.

2. Siga las instrucciones de la aplicación para configurar y usar la cámara.

La cámara se enciende cuando se abre y se apaga cuando se cierra.



Estado de la cámara	
LED	Definición
Azul parpadeante	La cámara está intentando conectarse al dispositivo móvil.
Azul sólido	La cámara está conectada al dispositivo móvil.
Azul y verde parpadeante	La cámara está intentando conectarse al enrutador.
Verde parpadeante	La cámara está conectada al enrutador e intentando conectarse al servidor de myQ®.
Verde sólido	La cámara está conectada y funciona con normalidad.
Blanco sólido	La cámara se está encendiendo.
Rojo parpadeante	La cámara se está sobrecalentando.
Púrpura parpadeante	El firmware de la cámara se está actualizando.

# Funcionamiento

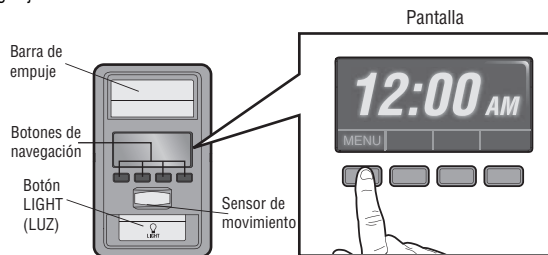
## Uso del panel de control

### SINCRONIZACIÓN DEL PANEL DE CONTROL

Para sincronizar el panel de control con el abrepuertas de garaje, presione la barra de empuje hasta que se active el abrepuertas de garaje (puede tener que presionar hasta 3 veces). Pruebe el panel de control presionando la barra de empuje; cada presión de la barra de empuje activará el abrepuertas de garaje.

**NOTA:** Su panel de control puede verse diferente a las ilustraciones.

Se pueden conectar hasta 2 Smart Control Panels® o 4 de cualquier otro panel de control Security+ 2.0 al abrepuertas de garaje.



### BARRA DE EMPUJE

Presione la barra de empuje para abrir o cerrar la puerta.

### BOTONES DE NAVEGACIÓN

Use los botones de navegación para seleccionar y programar.

### BOTÓN DE LUZ

Presione el botón LIGHT (LUZ) para encender o apagar las luces del abrepuertas de garaje. Cuando las luces se encienden, permanecen así hasta que se vuelve a presionar el botón LIGHT, o hasta que se activa el abrepuertas de garaje. Una vez activado el abrepuertas de garaje, las luces se apagarán después de un período de tiempo especificado (el ajuste de fábrica es de 4-1/2 minutos). El botón LIGHT (LUZ) no controlará las luces cuando la puerta está en movimiento.

### PANTALLA\*

La pantalla mostrará la hora y la temperatura hasta que se presione el botón de menú, y luego mostrará las opciones del menú. Si hay un problema con el abrepuertas de garaje, la pantalla mostrará el código de diagnóstico. Consulte la sección Solución de problemas.

Se puede acceder a las siguientes funciones a través de la pantalla mediante los botones de navegación:

### APRENDER UN DISPOSITIVO

Programar controles remotos compatibles, entradas inalámbricas sin llave, abrepuertas de garaje con Wi-Fi o accesorios myQ® para el abrepuertas de garaje.

### TRABA

La función LOCK está diseñada para evitar la activación del abrepuertas de garaje desde los controles remotos y, al mismo tiempo, permitir la activación desde el panel de control y la entrada inalámbrica sin llave. Esta función es útil para una mayor tranquilidad cuando la casa está vacía (por ejemplo, en las vacaciones).

### TEMPORIZADOR PARA CERRAR (TTC)\*

NO active el TTC si tiene una puerta de una pieza. TTC se usa SOLO con las puertas seccionales. El valor predeterminado de fábrica es desactivado. El TTC se puede configurar para cerrar automáticamente la puerta de su garaje desde la posición completamente abierta después de un período de tiempo específico (intervalos de 1, 5, 10 minutos o una configuración personalizada de hasta 99 minutos). El abrepuertas de garaje emitirá un *pitido* y las luces *parpadearán* antes de cerrar la puerta. La pantalla del panel de control puede mostrar el estado del TTC. El TTC NO funcionará si el abrepuertas de garaje está operando con batería o si los sensores de inversión de seguridad están desalineados. Esta función NO está destinada a ser el método principal para cerrar la puerta. **Se debe instalar una entrada inalámbrica sin llave en caso de un bloqueo accidental al usar esta función.**

### LUZ AUTOMÁTICA

#### Sensor de movimiento\*

El valor predeterminado de fábrica es activado. Esta función enciende automáticamente las luces del abrepuertas de garaje cuando se detecta movimiento. Las luces se encenderán durante el período de tiempo establecido y luego se apagarán. Si usa la luz del abrepuertas de garaje como luz de trabajo, desactive el sensor de movimiento; de lo contrario, la luz se apagará automáticamente si se encuentra fuera del alcance del sensor.

### ALERTA DE MANTENIMIENTO (MAS)

Esta función ayuda al propietario a garantizar que el sistema del abrepuertas de garaje esté en buenas condiciones. Cuando el abrepuertas de garaje necesite mantenimiento (aproximadamente 4500 ciclos de apertura) los LED de comando (amarillo) y de servicio (rojo) comenzarán a parpadear de forma alternada. De fábrica, el ajuste de la función MAS está desactivado y se puede activar al momento de la instalación. Comuníquese con el proveedor de la instalación para el mantenimiento.

\*Si corresponde

# Funcionamiento

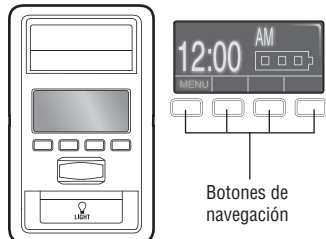
## Uso del Smart Control Panel®\*

### CONFIGURACIÓN

Las funciones del panel de control se pueden programar por medio de una serie de menús en la pantalla y de los botones de navegación. Consulte las descripciones siguientes.

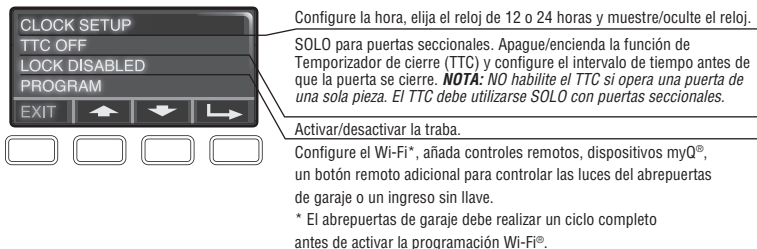
### PANTALLA

La pantalla principal muestra la hora, la temperatura y la carga actual de la batería (si corresponde).



### FUNCIONES

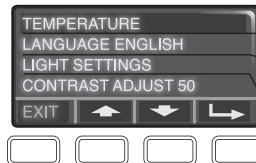
Presione el botón de navegación debajo de "MENÚ" para ver el menú Funciones.



\*Si corresponde

### CONFIGURACIÓN

Presione el botón de navegación debajo de la flecha hacia abajo hasta que vea TEMPERATURE para ver el menú Configuración.



Muestra la temperatura en Fahrenheit o Celsius y muestra/oculta la temperatura.

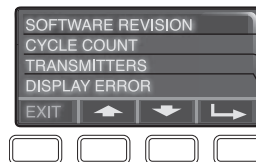
Seleccione el idioma.

Configure la duración de la luz del abrepuertas de garaje para que permanezca encendida después de la operación, rango seleccionable de 1-1/2 a 4-1/2 minutos. Apague/encienda el sensor de movimiento y apague/encienda la luz de entrada.

Ajusta el contraste de la pantalla.

### SERVICIO

Presione y mantenga presionado el botón LIGHT, luego presione el segundo botón de navegación para ver el menú de Servicio.



Muestra información sobre la versión del software.

Activa o desactiva la Alerta de mantenimiento (MAS).

Muestra la cantidad de controles remotos, dispositivos myQ®, paneles de control e ingresos sin llave actualmente programados para operar el abrepuertas de garaje.

Muestra todos los errores que han ocurrido.

### Control remoto

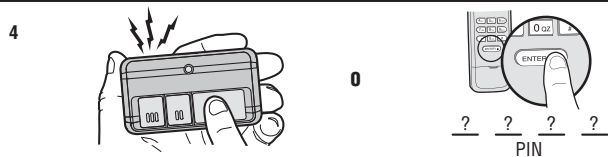
El control remoto ya ha sido programado en la fábrica para que funcione con su abrepuertas de garaje.

### PARA AGREGAR, REPROGRAMAR O CAMBIAR UN CONTROL REMOTO/PIN DE ENTRADA INALÁMBRICA SIN LLAVE USANDO EL PANEL DE CONTROL

1. Presione el botón de navegación debajo de "MENÚ" para ver el menú Funciones.
2. Use los botones de navegación para desplazarse a "PROGRAM" (PROGRAMA).
3. Seleccione "REMOTE" (CONTROL REMOTO) o "KEYPAD" (TECLADO NUMÉRICO) para programar desde el menú de programa.
4. **Control remoto:** Presione el botón del control remoto con el que desee operar su puerta de garaje.  
**Entrada sin llave:** Introduzca un número de identificación personal (PIN) de 4 dígitos de su elección en el teclado numérico de entrada sin llave. Luego, presione el botón ENTER (ENTRADA).

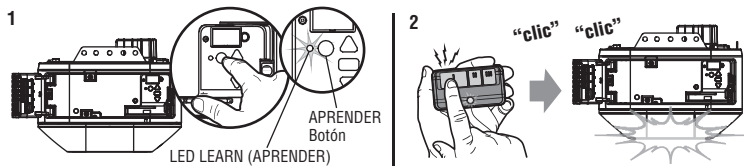
Parpadearán las luces del abrepuertas de garaje (o se oirán dos chasquidos) cuando se haya programado el código. Repita los pasos anteriores para programar controles remotos o dispositivos de entrada inalámbrica sin llave adicionales. Si la programación no tiene éxito, programe el control remoto usando el botón Learn (Aprender).

# Funcionamiento



## PARA AÑADIR, REPROGRAMAR O CAMBIAR UN CONTROL REMOTO UTILIZANDO EL BOTÓN LEARN

1. Mantenga presionado el botón LEARN (APRENDER) en el abrepuertas de garaje.
2. Mantenga presionado el botón del control remoto con el que desea operar usar. Suelte el botón cuando las luces del abrepuertas de garaje parpadeen o escuche dos clic.



## Borrar la memoria

### BORRE TODOS LOS CONTROLES REMOTOS Y ENTRADAS SIN LLAVE

1. Mantenga presionado el botón LEARN (APRENDER) en el abrepuertas de garaje hasta que se apague el LED de aprender (aproximadamente 6 segundos). Todos los códigos del control remoto y de entrada sin llave ahora están borrados. Vuelva a programar cualquier accesorio compatible que desee utilizar.

### BORRE TODOS LOS DISPOSITIVOS (INCLUIDOS LOS ACCESORIOS HABILITADOS PARA MYQ®)

1. Mantenga presionado el botón LEARN (APRENDER) en el abrepuertas de garaje hasta que se apague el LED de aprender (aproximadamente 6 segundos).

2. Inmediatamente mantenga presionado el botón LEARN (APRENDER) nuevamente hasta que se apague el LED de aprender. Todos los códigos ahora están borrados. Vuelva a programar cualquier accesorio compatible que desee utilizar.

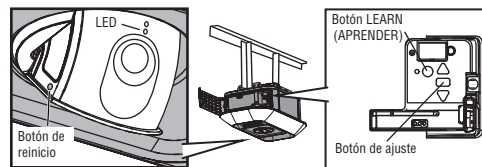
### BORRAR LA RED WI-FI® DEL ABRIDOR DE LA PUERTA DEL GARAJE

1. Mantenga presionado el botón negro de ajuste en el abrepuertas de garaje hasta que oiga 3 pitidos (aproximadamente 6 segundos).

### BORRAR LA CONFIGURACIÓN DE LA CÁMARA

1. Presione y mantenga presionado el botón de reinicio en el lado de la cámara durante 10 segundos. La luz LED se apagará, luego parpadeará en rojo.

Necesitará configurar la cámara de nuevo después de reiniciarla.





# Funcionamiento

## Abrir la puerta manualmente

### **ADVERTENCIA**

Para evitar posibles LESIONES GRAVES o la MUERTE por la caída de la puerta de garaje:

- Si es posible, use la palanca de liberación de emergencia para desenganchar el carro SOLO cuando la puerta del garaje esté CERRADA. Los resortes débiles o rotos o una puerta no balanceada podrían causar que la puerta caiga rápido o de forma repentina.
- NUNCA use la palanca de liberación de emergencia a menos que la entrada del garaje esté libre de personas y sin obstrucciones.
- NUNCA use la manija para abrir o cerrar la puerta. Si se desata el nudo de la cuerda, podría caerse.

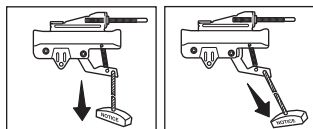
### DESCONECTAR EL CARRO

1. La puerta debe estar completamente cerrada si es posible.
2. Jale la manija de liberación de emergencia hacia abajo.

### VUELVA A CONECTAR EL CARRO

La función de bloqueo evita que el carro se vuelva a conectar automáticamente.

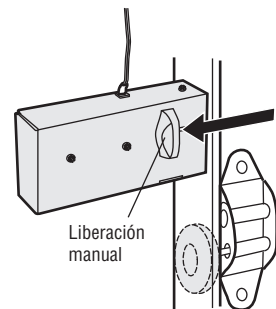
1. Tire de la palanca de liberación de emergencia hacia abajo y hacia atrás (hacia el abridor). A continuación, la puerta se puede subir y bajar manualmente tantas veces como sea necesario.
2. Para desactivar la función de bloqueo, tire de la palanca hacia abajo. El carro se volverá a conectar en la siguiente operación de SUBIDA o BAJADA, ya sea manualmente o usando el panel de control o el control remoto.



### PARA DESACTIVAR MANUALMENTE LA CERRADURA AUTOMÁTICA DE LA PUERTA DEL GARAJE (MODELO 841LM)\*

1. La puerta debe estar completamente cerrada si es posible.
2. Desactive la cerradura automática de la puerta del garaje deslizando el desbloqueo manual a la posición de abierto.
3. Tire de la palanca de liberación de emergencia hacia abajo y hacia atrás (hacia el abrepuertas de garaje). La puerta del garaje se puede subir y bajar manualmente según sea necesario.
4. Para volver a conectar el carro, tire de la palanca de liberación de emergencia hacia abajo. El carro se volverá a conectar en la siguiente operación de SUBIDA o BAJADA.

**NOTA:** La cerradura automática de la puerta del garaje se volverá a activar cuando se reanude el funcionamiento del abrepuertas de garaje.



\* Si es aplicable.

# Mantenimiento

## Programa de mantenimiento

### MENSUAL

- Opere la puerta manualmente. Si no está balanceada o está atascada, llame a un técnico capacitado en sistemas de puertas.
- Verifique que la puerta se abra y cierre completamente. Ajustela si es necesario, vea la página 30.
- Pruebe el sistema de inversión de seguridad. Ajustela si es necesario, vea la página 31.

### ANUAL

- Engrase los rodillos, los cojinetes y las bisagras de las puertas. El abrepuertas de garaje no requiere lubricación adicional. No engrase las guías de la puerta.
- Pruebe la batería de respaldo y considere reemplazar la batería para garantizar que el abrepuertas de garaje funcione durante un corte de electricidad, ver la página 32 para probar la batería de respaldo.

### CADA DOS O TRES AÑOS

- Use un trapo para quitar la grasa del riel del abrepuertas de garaje. Vuelva a aplicar una capa delgada de grasa de litio blanco encima y debajo de la superficie del riel donde se desliza el carro.

AVISO: Este dispositivo cumple con la parte 15 de las reglas de la FCC y de equipos RSS exentos de licencia de Innovation, Science and Economic Development Canada. El funcionamiento está sujeto a las siguientes dos condiciones: (1) este dispositivo no puede causar interferencia dañina, y (2) este dispositivo debe aceptar toda interferencia recibida, incluso la que puede causar un funcionamiento indeseado. Los cambios o las modificaciones a esta unidad que no sean aprobados en forma expresa por la parte responsable del cumplimiento pueden invalidar el permiso del usuario para operar el equipo.

Este dispositivo se ha probado, y se ha hallado que cumple con los límites de un dispositivo digital de clase B, de acuerdo con la parte 15 de las reglas de la FCC y de la norma ICES de Industry Canada. Estos límites están diseñados para brindar una protección razonable contra la interferencia dañina en una instalación residencial. Este equipo genera, utiliza y puede emitir energía de radiofrecuencia y, si no se instala y utiliza de acuerdo con las instrucciones, puede causar interferencias perjudiciales en las radiocomunicaciones. Sin embargo, no existe garantía de que no ocurra interferencia en una instalación en particular. Si este equipo efectivamente causa interferencia dañina a la recepción de radio o televisión, lo cual puede determinarse apagando y encendiendo el equipo, se recomienda al usuario que trate de corregir la interferencia realizando uno o varios de los siguientes pasos:

- Cambiar de dirección o de lugar la antena receptora.
- Aumentar la separación entre el equipo y el receptor.
- Conectar el equipo en un tomacorriente en un circuito diferente de donde esté conectado el receptor.
- Consultar al concesionario o a un técnico de radio/TV con experiencia para que le ayude.

## Batería del control remoto

### ADVERTENCIA

Para evitar posibles LESIONES GRAVES o LA MUERTE:

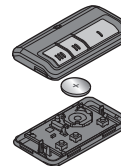
- NUNCA permita que las baterías estén al alcance de los niños pequeños.
- Si alguien ingiere una batería, llame inmediatamente al médico.

Para reducir el riesgo de incendio, explosión o quemaduras químicas:

- Reemplazar ÚNICAMENTE con baterías de botón CR2032 de 3 V.
- NO recargar, desmontar, calentar por encima de 212 °F (100 °C) ni incinerar.

Para reemplazar la batería, haga palanca en el medio primero y luego en cada lado con la presilla de la visera. Inserte la batería de repuesto con el lado positivo (+) para arriba. Reemplace las baterías con baterías de botón CR2032 de 3 V solamente.

Deseche las baterías agotadas correctamente.



# Resolución de problemas

## Tabla de diagnóstico

Su abrepuertas de garaje está programado con funciones de autodiagnóstico. Las flechas UP (SUBIDA) y DOWN (BAJADA) en el abrepuertas de garaje parpadearán los códigos de diagnóstico.

CÓDIGO DE DIAGNÓSTICO		SÍNTOMA	SOLUCIÓN
La flecha Up (Subida) parpadea	La flecha Down (Bajada) parpadea		
1	1	El abrepuertas de garaje no se cerrará .	Los sensores de inversión de seguridad no están instalados, conectados o los cables podrían estar cortados. Inspeccione los cables del sensor en busca de un cable desconectado o cortado.
1	2	El abrepuertas de garaje no se cerrará.	Hay un cable en cortocircuito o invertido en los sensores de inversión de seguridad. Inspeccione el cable del sensor de seguridad en todos los puntos de conexión y grapas, reemplace el cable o corrija según sea necesario.
1	3	El panel de control no funciona.	Los cables del panel de control están en cortocircuito o el panel de control está averiado. Inspeccione los cables del panel de control en todos los puntos de conexión y grapas, reemplace el cable o corrija según sea necesario.
1	4	El abrepuertas de garaje no se cerrará.	Los sensores de inversión de seguridad no están alineados o tuvieron una obstrucción momentánea. Vuelva a alinear ambos sensores hasta que ambos LED estén encendidos fijos. Asegúrese de que nada cuelgue ni esté montado sobre la puerta que pueda interrumpir el camino de los sensores mientras se cierra.
1	5	La puerta se mueve 6-8" (15-20 cm) y se detiene o retrocede.	Abra y cierre la puerta manualmente. Verifique si se atora o hay obstrucciones, como un resorte roto o una traba de la puerta, y corrija según corresponda. Verifique las conexiones de cableado en el módulo de desplazamiento y en la tarjeta lógica. Reemplace el módulo de desplazamiento de ser necesario.
		No hay movimiento, solo se oye un clic.	Abra y cierre la puerta manualmente. Verifique si se atora o hay obstrucciones, como un resorte roto o una traba de la puerta, y corrija según corresponda. Reemplace la tarjeta lógica de ser necesario.
		El abrepuertas emite un ruido por 1-2 segundos y no se mueve.	Abra y cierre la puerta manualmente. Verifique si se atora o hay obstrucciones, como un resorte roto o una traba de la puerta, y corrija según corresponda. Reemplace el motor de ser necesario.
1	6	La puerta rueda después de detenerse por completo.	Programa el recorrido hasta la posición en la que rueda o haga que un técnico capacitado en sistemas de puertas la balancee.
2	1-5	No hay movimiento ni sonido.	Reemplace la tarjeta lógica.
3	2	No se pudo establecer el recorrido o retener la posición.	Verifique que el módulo de desplazamiento esté bien ensamblado y reemplácelo de ser necesario.
3	3	El LED de estado de la batería está parpadeando constantemente en verde.	Error en el circuito de carga de la batería de respaldo, reemplace la tarjeta lógica.

# Resolución de problemas

CÓDIGO DE DIAGNÓSTICO		SÍNTOMA	SOLUCIÓN
La flecha Up (Subida) parpadea	La flecha Down (Bajada) parpadea		
4	1-4	La puerta se mueve, se detiene o retrocede. El abrepuertas emite un pitido y las luces parpadean.	Abra y cierre la puerta manualmente. Verifique si se atora o hay obstrucciones, como un resorte roto o una traba de la puerta, y corrija según corresponda. Si la puerta se atasca o adhiere, llame a un técnico capacitado en sistemas de puertas. Si la puerta no se atasca ni adhiere, intente reprogramar el recorrido (consulte 31).
4	5	La puerta se mueve 6-8" (15-20 cm) y se detiene o retrocede.	Error de comunicación en el módulo de desplazamiento. Verifique que las conexiones del módulo de desplazamiento y reemplácelo de ser necesario.
4	6	El abrepuertas de garaje no se cerrará .	Los sensores de inversión de seguridad no están alineados o tuvieron una obstrucción momentánea. Vuelva a alinear ambos sensores hasta que ambos LED estén encendidos fijos y no parpadeando. Asegúrese de que nada cuelgue ni esté montado sobre la puerta que pueda interrumpir el camino de los sensores mientras se cierra.

## El abrepuertas de garaje NO entra en el modo learn (aprender) del Wi-Fi®:

- Después de la instalación inicial del abrepuertas de garaje, este deberá completar un ciclo entero (abrirse y cerrarse) antes de que se pueda activar el modo learn (aprender) del Wi-Fi®.
- Si ha habido un corte de luz reciente, el abrepuertas de garaje deberá completar un ciclo entero antes de que se pueda activar el modo LEARN (Aprender) del Wi-Fi®.

Consulte 36 para activar el modo LEARN (APRENDER) del Wi-Fi®.

## El abrepuertas de garaje no se puede conectar a su red Wi-Fi®:

- Asegúrese de haber ingresado correctamente el número de serie myQ® y vuelva a intentar. Los caracteres myQ® disponibles son solo A-F y 0-9.
- La señal Wi-Fi® es débil en el garaje. Asegúrese de que la señal Wi-Fi® llegue al garaje, consulte 4 o visite [support.chamberlaingroup.com](http://support.chamberlaingroup.com) para obtener más información.

## Mi puerta no se cierra :

El sensor de inversión de seguridad debe estar conectado y alineado correctamente antes de que el abrepuertas de garaje pueda moverse en la dirección de bajada.

- Compruebe que no haya atascos u obstrucciones en el recorrido del piso del garaje.
- El sensor de inversión de seguridad debe estar conectado y alineado correctamente antes de que el abrepuertas de garaje pueda moverse en la dirección de bajada.
  - Verifique que los sensores de inversión de seguridad estén correctamente instalados, alineados y sin obstrucciones.
  - Si el sensor receptor (LED verde) está orientado hacia la luz solar directa, intercambie el sensor receptor con el emisor para que el sensor receptor no esté bajo la luz solar directa.

## Los LED no funcionan:

Verifique el cableado en los dos módulos de la lámpara con LED integrado al conector. Si está suelto, vuelva a conectar. Si las luces no se encienden, se puede necesitar un nuevo módulo de lámpara con LED integrado. Comuníquese con servicio al cliente o un profesional de puertas certificado para determinar si se necesita un nuevo módulo de lámpara con LED integrado.

## El control remoto de mi vecino abre mi puerta de garaje:

Borre la memoria de su abrepuertas de garaje y programe el control remoto.

## El Homelink® de mi vehículo no se programa con mi abrepuertas de garaje:

Según la marca, modelo y año de su vehículo, puede requerir un adaptador externo. Visite [www.homelink.com](http://www.homelink.com) para obtener más información.

## Mi cámara no se conecta al enrutador:

- Acerque el enrutador al abrepuertas de garaje para minimizar las interferencias de las paredes y otros objetos.
- Compre un extensor de alcance del Wi-Fi®.

Si tiene problemas con la cámara, mantenga presionado el botón de reinicio en el lado de la cámara durante 10 segundos. Luego, siga las instrucciones de la aplicación myQ® para configurar la cámara.

**Para resolver problemas de la traba automática de abrepuertas de garaje opcional modelo 841LM, consulte las instrucciones suministradas.**

# Accesorios

878MAX



## Ingreso sin llave inalámbrico MAX:

Para usar fuera de la casa a fin de permitir el acceso al garaje mediante un PIN de 4 dígitos. Funciona con TODOS los abrepuertas LiftMaster desde el año 1993 hasta el presente.

893MAX



## Control remoto MAX de 3 botones:

Compatible con los abrepuertas de garaje LiftMaster fabricados desde 1993. Incluye presilla de visera.

880LMW



## Panel de control inteligente:

Muestra la temperatura, la hora y un diagnóstico de sistema; incluye una barra de empuje para abrir y cerrar la puerta y una función de bloqueo para mayor seguridad. Compatible con Security+ 2.0 y Wi-Fi.

819LMB



## myQ Home Bridge:

Agregue compatibilidad Apple HomeKit™ a su abrepuertas de garaje con myQ®. Use Siri® para abrir, cerrar y verificar el estado de su puerta.

Apple es una marca comercial de Apple Inc., registrada en los EE. UU. y otros países. HomeKit es una marca comercial de Apple Inc.

891LM



Compatible con los abrepuertas de garaje LiftMaster fabricados desde 1993. Incluye presilla de visera.

882LMW



## Panel de control multifunción:

Compatible con Security+ 2.0 y Wi-Fi.

374UT



## Control remoto universal miniatura:

El control remoto universal miniatura se puede programar para activar hasta dos productos, como un abrepuertas de garaje, controles de luz®, un operador de puerta o un operador de puerta comercial.

380UT



## Control remoto universal:

El control remoto universal miniatura se puede programar para activar hasta dos productos, como un abrepuertas de garaje, controles de luz®, un operador de puerta o un operador de puerta comercial.

841LM



## Cerradura automática para puertas de garaje:

Compatible con 87802. Ofrece más seguridad al bloquear automáticamente el recorrido de la puerta de garaje en la pista de la puerta de garaje.

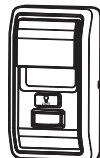
881LMW



## Panel de control de detección de movimiento con control de temporizador para cerrar:

Panel de control multifunción con sensor de movimiento que enciende automáticamente las luces del abridor cuando detecta que una persona entra al garaje. Compatible con Security+ 2.0 y Wi-Fi.

886LMW



## Panel de control de detección de movimiento:

Panel de control multifunción con sensor de movimiento que enciende automáticamente las luces del abridor cuando detecta que una persona entra al garaje. Compatible con Security+ 2.0 y Wi-Fi.

# Garantía

LiftMaster® ("Vendedor") le garantiza al primer comprador minorista de este producto, para la residencia en la que este producto se instaló originalmente, que no tendrá defectos en los materiales y/o mano de obra durante un período específico de tiempo como se define a continuación (el "Período de garantía"). El período de garantía comienza a partir de la fecha de compra.

PERÍODO DE GARANTÍA							
Modelos	Piezas	Motor	Accesorios	Cinta	Batería de respaldo	LED integrado	Cámara
84501	1 año	Toda la vida	1 año	Toda la vida	N/D	1 año	N/D
84602	1 año	Toda la vida	1 año	N/D	1 año	1 año	N/D
87802	5 años	Toda la vida	1 año	Toda la vida	1 año	5 años	N/D
87504-267	5 años	Toda la vida	1 año	Toda la vida	1 año	5 años	1 año

El funcionamiento correcto de este producto depende del cumplimiento de las instrucciones relativas a la instalación, el funcionamiento, el mantenimiento y las pruebas. No cumplir estrictamente con esas instrucciones anulará en su totalidad a esta garantía limitada.

Si, durante el período de garantía limitada, este producto parece tener un defecto cubierto por esta garantía limitada, visite [LiftMaster.com](http://LiftMaster.com), antes de desmantelar este producto. Se le informará sobre las instrucciones de desmontaje y envío. Luego envíe el producto o componente, con envío prepagado y asegurado como se le instruya, a nuestro centro de servicio para la reparación bajo garantía. Incluya una breve descripción del problema y un recibo de prueba de compra fechado con cualquier producto devuelto para su reparación bajo la garantía. Los productos devueltos al Vendedor para su reparación bajo la garantía, una vez que los reciba el Vendedor y se confirmen como defectuosos y cubiertos por esta garantía limitada, serán reparados o reemplazados (a elección exclusiva del Vendedor) sin costo para usted y devueltos con el envío prepagado. Las piezas defectuosas serán reparadas o reemplazadas por piezas nuevas o reconstruidas en fábrica a discreción del Vendedor. [Usted es responsable de los costos incurridos al desinstalar y/o reinstalar el producto o cualquier componente].

**TODAS LAS GARANTÍAS IMPLÍCITAS PARA EL PRODUCTO, INCLUIDAS, PERO SIN LIMITARSE A, CUALQUIER GARANTÍA IMPLÍCITA DE COMERCIABILIDAD E IDONEIDAD PARA UN PROPÓSITO EN PARTICULAR, TIENEN UNA DURACIÓN QUE SE LIMITA AL PERÍODO DE GARANTÍA LIMITADA APLICABLE ESTABLECIDO ANTERIORMENTE PARA LOS COMPONENTES RELACIONADOS, Y NO EXISTIRÁ NI SE APLICARÁ NINGUNA GARANTÍA IMPLÍCITA DESPUÉS DE DICHO PERÍODO. Algunos estados y provincias no permiten limitaciones sobre la duración de una garantía implícita, por lo que es posible que la limitación anterior no sea aplicable en su caso. ESTA GARANTÍA LIMITADA NO CUBRE DAÑOS QUE NO SON DEFECTOS, DAÑOS CAUSADOS POR UNA INSTALACIÓN, FUNCIONAMIENTO O CUIDADO INCORRECTOS (INCLUYENDO, PERO SIN LIMITARSE A, ABUSO, MAL USO, NO PROPORCIONAR UN MANTENIMIENTO RAZONABLE Y NECESARIO, REPARACIONES NO AUTORIZADAS O CUALQUIER ALTERACIÓN DE ESTE PRODUCTO), CARGOS POR REINSTALAR UNA UNIDAD REPARADA O REEMPLAZADA, REEMPLAZO DE ARTÍCULOS CONSUMIBLES (POR EJEMPLO, BATERÍAS EN LOS TRANSMISORES DE CONTROL REMOTO) O UNIDADES INSTALADAS PARA USO NO RESIDENCIAL. ESTA GARANTÍA LIMITADA NO CUBRE NINGÚN PROBLEMA CON, O RELACIONADO CON, LA PUERTA DEL GARAJE O EL HERRAJE DE LA PUERTA DEL GARAJE, INCLUIDOS, PERO SIN LIMITARSE A, LOS RESORTES DE LA PUERTA, LOS RODILLOS DE LA PUERTA, LA ALINEACIÓN DE LA PUERTA O LAS BISAGRAS. ESTA GARANTÍA LIMITADA TAMPOCO CUBRE NINGÚN PROBLEMA CAUSADO POR LAS INTERFERENCIAS. BAJO NINGUNA CIRCUNSTANCIA, EL VENDEDOR SERÁ RESPONSABLE DE DAÑOS CONSECUENTES, INCIDENTALES O ESPECIALES QUE SURJAN EN RELACIÓN CON EL USO O LA INCAPACIDAD DE USO DE ESTE PRODUCTO. EN NINGÚN CASO LA RESPONSABILIDAD DEL VENDEDOR POR EL INCUMPLIMIENTO DE LA GARANTÍA, EL INCUMPLIMIENTO DEL CONTRATO, LA NEGLIGENCIA O RESPONSABILIDAD ESTRUCTIVA EXCEDERÁ EL COSTO DEL PRODUCTO CUBIERTO POR EL PRESENTE. NINGUNA PERSONA ESTÁ AUTORIZADA A ASUMIR POR NOSOTROS NINGUNA OTRA RESPONSABILIDAD EN RELACIÓN CON LA VENTA DE ESTE PRODUCTO.**

Algunos estados y provincias no permiten la exclusión o limitación de daños emergentes, incidentales o especiales, por lo que es posible que la limitación o exclusión anterior no sea aplicable en su caso. Esta garantía limitada le otorga derechos legales específicos, y también puede tener otros derechos que varían de estado a estado y de provincia a provincia.

# Guía de seguridad y mantenimiento del abrepuertas de garaje automático

## Seguridad del abrepuertas de garaje: una solución automática

Una puerta de garaje es el objeto móvil más grande de la casa. Una puerta de garaje y un abrepuertas mal ajustados pueden ejercer una fuerza letal cuando la puerta se cierra, lo que podría provocar que niños o adultos queden atrapados y que se produzcan lesiones o la muerte.

La instalación, operación, mantenimiento y prueba adecuados de la puerta del garaje y el abrepuertas automático son necesarios para proporcionar un sistema seguro y sin problemas. La operación descuidada o permitir que los niños jueguen o usen los controles del abrepuertas de garaje son situaciones peligrosas también que pueden conducir a resultados trágicos. Algunas precauciones simples pueden proteger a su familia y amigos de posibles daños. Lea atentamente los consejos de seguridad y mantenimiento de esta guía y consérvela como referencia. Verifique el funcionamiento de la puerta y abrepuertas de su garaje para asegurarse de que funcionen de manera segura y sin problemas. Asegúrese de leer toda la Información importante de seguridad que se encuentra en el manual del abrepuertas de garaje, ya que este proporciona más detalles y consideraciones de seguridad que los que se pueden proporcionar con esta guía.

## Los abrepuertas de garaje no son juguetes

Hable con sus hijos sobre la seguridad de la puerta del garaje y del abrepuertas. Explique el peligro de quedar atrapado debajo de la puerta.



**Manténgase alejado de una puerta en movimiento.**



**El botón pulsador montado en la pared debe estar fuera del alcance de los niños, al menos a 5 pies de la superficie de apoyo más cercana y lejos de todas las partes móviles. Monte y use el botón donde pueda ver claramente la puerta del garaje al cerrarse.**



**Mantenga los transmisores y controles remotos fuera del alcance de los niños. No permita que los niños jueguen o utilicen los transmisores u otros dispositivos de control remoto.**



**Mantenga la puerta a la vista hasta que se cierre por completo cuando utilice el botón pulsador o transmisor montado en la pared.**

# El mantenimiento de rutina puede prevenir tragedias

Haga que la inspección y prueba mensual de la puerta de su garaje y el sistema de apertura sean parte de su rutina habitual. Revise el manual del propietario tanto para la puerta como para el abrepuertas. Si no tiene los manuales del propietario, comuníquese con el (los) fabricante(s) y solicite una copia para su(s) modelo(s) específico(s). Busque el número de modelo del abrepuertas en la parte posterior de la unidad de alimentación.

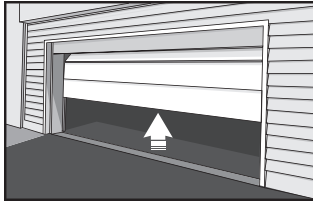


**ADVERTENCIA: LOS RESORTES ESTÁN SOMETIDOS A ALTA TENSIÓN. SOLO PERSONAS CALIFICADAS DEBEN AJUSTARLOS.**



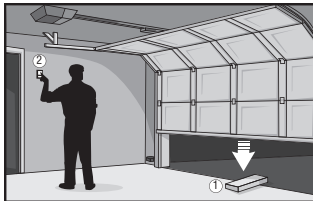
## Verifique visualmente la puerta y la instalación:

- Comenzando con la puerta en la posición cerrada, use la desconexión manual en el abrepuertas para desconectar la puerta.
- Busque signos de desgaste o daños en las bisagras, rodillos, resortes y paneles de puertas.
- Estas piezas pueden requerir lubricación periódica. Consulte el manual del propietario para obtener información sobre el mantenimiento sugerido.
- Si hay signos evidentes de daño, comuníquese con un técnico capacitado en sistemas de puertas para obtener ayuda.
- Verifique que la altura de la fotocélula no sea superior a 6" desde el piso del garaje.



## Pruebe que la puerta funciona correctamente:

- Abra y cierre la puerta manualmente utilizando manijas o puntos de agarre adecuados.
- La puerta debe moverse libremente y sin dificultad.
- **La puerta debe permanecer en equilibrio y parcialmente abierta a 3 o 4 pies sobre el piso.**
- Si detecta algún signo de funcionamiento incorrecto, comuníquese con un técnico capacitado en sistemas de puertas para obtener ayuda.



## Pruebe las características de seguridad del abrepuertas:

- Vuelva a conectar el abrepuertas a la puerta usando la desconexión manual y abra la puerta.
- Coloque una tabla de 2x4 plana en el camino de la puerta (1) e intente cerrarla (2). La puerta debe detenerse cuando entre en contacto con la tabla de 2x4 y luego invertir la dirección de movimiento.
- Bloquee el sensor fotoeléctrico moviendo un objeto frente al sensor e intente cerrar la puerta. La puerta no debe cerrarse a menos que el botón pulsador montado en la pared se mantenga presionado manualmente durante el funcionamiento.
- Si el abrepuertas no funciona como se describe, comuníquese con un técnico capacitado en sistemas de puertas para obtener ayuda.

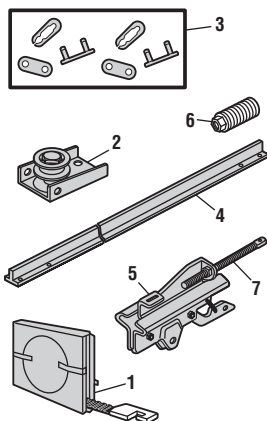




# Piezas de repuesto

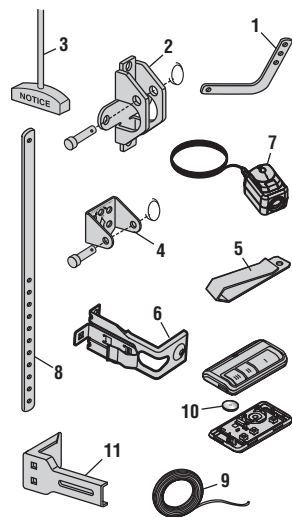
## Piezas para montar el riel 87504-267

Descripción	Número de pieza
1 Cinta - para puerta de 7 pies Cinta - para puerta de 8 pies Cinta - para puerta de 10 pies	041A5434-11A 041A5434-13A 041A5434-14A
2 soporte de polea y cinta	041B5424
3 Conector maestro	004A1008
4 Riel de una pieza de 7 pies (2.1 m) Riel de una pieza de 8 pies (2.4 m) Riel de una pieza de 10 pies (3 m)	2777BD 2778BD 2770BD
5 El conjunto del carro incluye: Conector maestro (2), Pasador de horquilla (1), Anillo (1), Pasador de cinta (1), Eje roscado (1) y Conjunto del tensor (1)	041B3869-3A
6 Conjunto del tensor	041B4103
7 Eje roscado del carro	041A6689



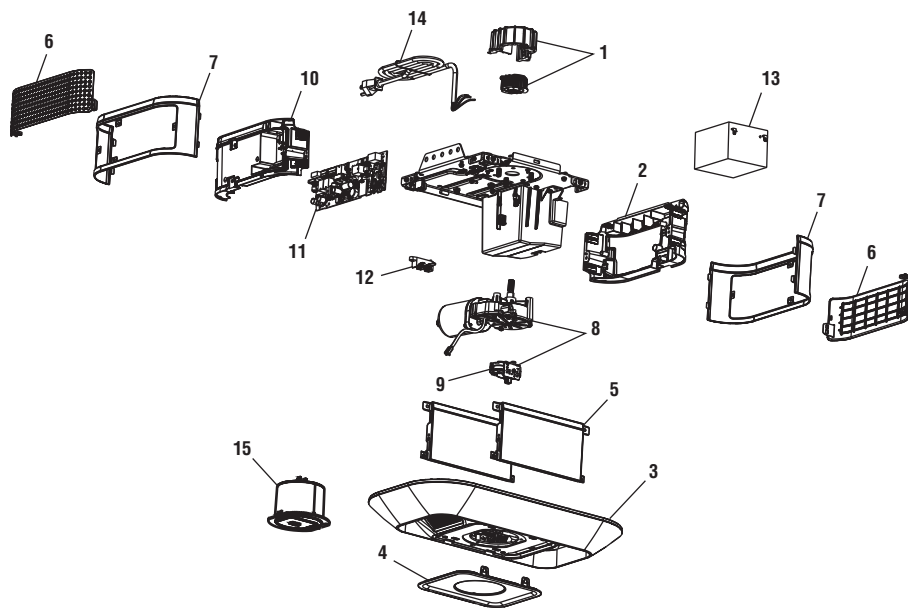
## Piezas de instalación

Descripción	Número de pieza
1 Brazo curvo de la puerta	041B0035B
2 Soporte de la puerta con pasador de horquilla y sujetador	041A5047-1
3 Soga y manija de liberación de emergencia	041A2828
4 Soporte del cabezal con pasador de horquilla y sujetador	041A4353-1
5 Presilla del visor del control remoto	K029B0137
6 Soporte del sensor de seguridad	041-0399-000
7 Kit de sensor de seguridad con sensores receptores y emisores con cable de 3 conductores de 3 pies (0.9 m)	041-0136
8 Brazo recto de la puerta	4178B0034B
9 Cable blanco y rojo/blanco	041B4494-1
10 Batería de litio CR2032 de 3 V	K010A0020
11 Soportes de extensión (opcional)	041A5281-1
<b>No se muestra</b>	
Bolso de herraje de instalación	041A2770-17
Guía del usuario	114A5288
Manual del propietario	114-5710-000 (Rev. B)



# Piezas de repuesto

## Piezas del abrepuertas de garaje Modelo 87504-267

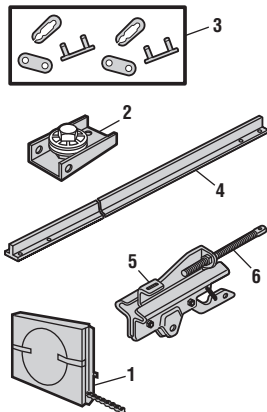


Descripción	Número de pieza
1 Piñón y cubierta del piñón con tornillos	041C0589-2
2 Panel del extremo	041-0185-000
3 Lámpara con LED integrado	041-0186-000
4 Insignia con cámara	041-0195-000
5 Cubierta de la caja principal	041-0190-000
6 Puerta del panel de control	041-0192-000
7 Cubierta del panel del extremo	041-0193-000
8 Motor con módulo de desplazamiento	041-0236-000
9 Módulo de recorrido	041D8071-4
10 Panel del extremo de la tarjeta lógica	041-0183-000
11 Tarjeta lógica	050DCTB
12 Bloque del terminal	041A3150
13 Batería de respaldo	485LM
14 Cable de alimentación	041B4245
15 Cámara	041-0041
<b>No se muestra</b>	
Arnés del cable	041-0180-000
Transformador	041D0277-1

# Piezas de repuesto

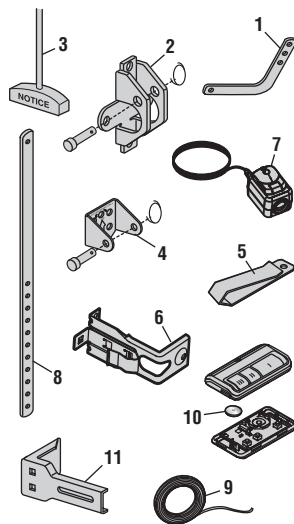
## Piezas para montar el riel modelo 87802

Descripción	Número de pieza
1 Cadena - para puerta de 7 pies	041D3484
Cadena - para puerta de 8 pies	041D3483
Cadena - para puerta de 10 pies	041D3485
Cadena - para puerta de 12 pies	19-5812
Cadena - para puerta de 14 pies	19-5814
2 Soporte de polea de cadena	041A2780
3 Conector maestro	004A1008
4 Riel de una pieza de 7 pies	3707CH
Riel de una pieza de 8 pies	3708CH
Riel de una pieza de 10 pies	3710CH
Riel de una pieza de 12 pies	3712RV
Riel de una pieza de 14 pies	3714RV
5 El conjunto del carro incluye: Conector maestro (2), Pasador de horquilla (1), Anillo (1), Pasador de cinta (1), Eje roscado (1) y Conjunto del tensor (1)	041A3489
6 Tensor de la cadena	041B4103-1
7 Eje roscado del carro	K109B0018



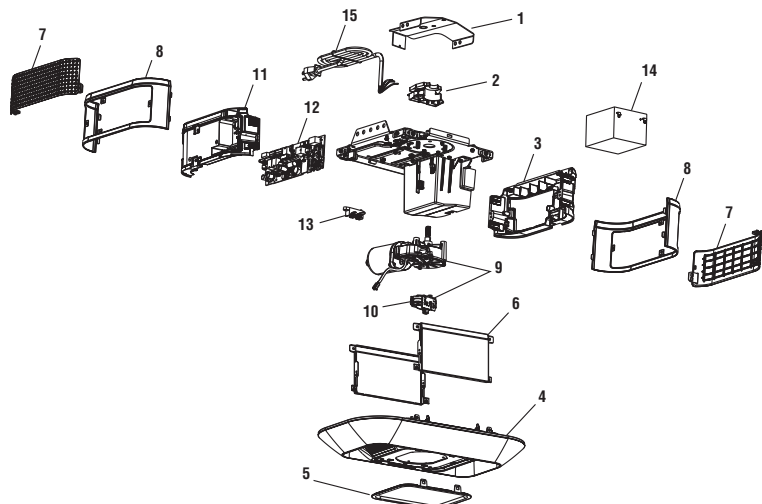
## Piezas de instalación

Descripción	Número de pieza
1 Brazo curvo de la puerta	041B0035B
2 Soporte de la puerta con pasador de horquilla y sujetador	041A5047-1
3 Soga y manija de liberación de emergencia	041A2828
4 Soporte del cabezal con pasador de horquilla y sujetador	041A4353-1
5 Presilla del visor del control remoto	K029B0137
6 Soporte del sensor de seguridad	041-0399-000
7 Kit de sensor de seguridad con sensores receptores y emisores con cable de 3 conductores de 3 pies (0.9 m)	041-0136
8 Brazo recto de la puerta	4178B0034B
9 Cable blanco y rojo/blanco	041B4494-1
10 Batería de litio CR2032 de 3 V	K010A0020
11 Soportes de extensión (opcional)	041A5281-1
<b>No se muestra</b>	
Manual del propietario	114-5518-000
Panel de control multifunción	880LMW
Control remoto	893LM
Bolso de herraje de instalación	041A2770-17



## Piezas de repuesto

### Piezas del abrepuertas de garaje modelo 87802

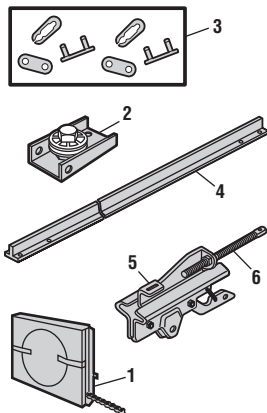


Descripción	Número de pieza
1 Soporte de chasis	041C5069
2 Extensor de cadena y piñón	041-0035
3 Panel del extremo, con acceso a la batería	041-0185-000
4 Kit de cápsula de luz, sin cámara	041-0187-000
5 Insignia	041-0196-000
6 Cubierta de la caja principal	041-0190-000
7 Puerta del panel de control	041-0192-000
8 Cubierta del panel del extremo	041-0193-000
9 Motor con módulo de desplazamiento	041-0236-000
10 Módulo de recorrido	041D8071-4
11 Panel del extremo de la tarjeta lógica	041-0182-000
12 Tarjeta lógica	050DCTBLK
13 Bloque del terminal	041A3150
14 Batería de respaldo	485LM
15 Cable de alimentación	041B4245
<b>No se muestra</b>	
Arnés del cable	041-0180-000
Transformador	041D0277-1

# Piezas de repuesto

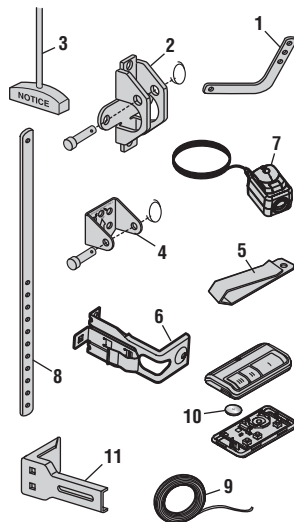
## Piezas para montar el riel 84602

Descripción	Número de pieza
1 Cadena - para puerta de 7 pies Cadena - para puerta de 8 pies Cadena - para puerta de 10 pies	041D3484 041D3483 041D3485
2 Soporte de polea de cadena	041A4813
3 Conector maestro	004A1008
4 Riel de una pieza de 7 pies (2.1 m) Riel de una pieza de 8 pies (2.4 m) Riel de una pieza de 10 pies (3 m)	1707LM 1708LM 1710LM
5 El conjunto del carro incluye: Conector maestro (2), Pasador de horquilla (1), Anillo (1), Pasador de cinta (1), Eje roscado (1) y Conjunto del tensor (1)	041A3489
6 Conjunto del tensor	041B4103
7 Eje roscado del carro	041A6689



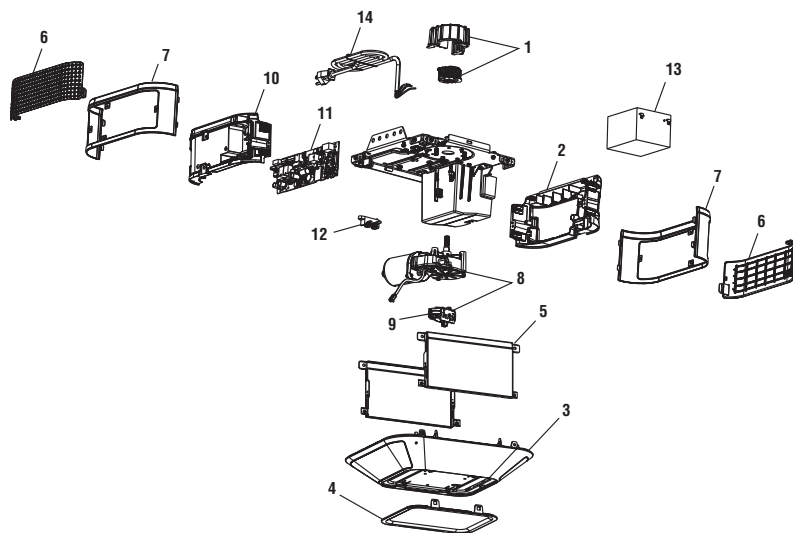
## Piezas de instalación

Descripción	Número de pieza
1 Brazo curvo de la puerta	041B0035B
2 Soporte de la puerta con pasador de horquilla y sujetador	041A5047-1
3 Soga y manija de liberación de emergencia	041A2828
4 Soporte del cabezal con pasador de horquilla y sujetador	041A4353-1
5 Presilla del visor del control remoto	K029B0137
6 Soporte del sensor de seguridad	041-0399-000
7 Kit de sensor de seguridad con sensores receptores y emisores con cable de 3 conductores de 3 pies (0.9 m)	041-0136
8 Brazo recto de la puerta	4178B0034B
9 Cable blanco y rojo/blanco	041B4494-1
10 Batería de litio CR2032 de 3 V	K010A0020
11 Soportes de extensión (opcional)	041A5281-1
<b>No se muestra</b>	
Manual del propietario	114-5518-000
Panel de control multifunción	886LMW
Control remoto	893LM
Bolso de herraje de instalación	041A2770-17



## Piezas de repuesto

### Piezas del abrepuertas de garaje modelo 84602

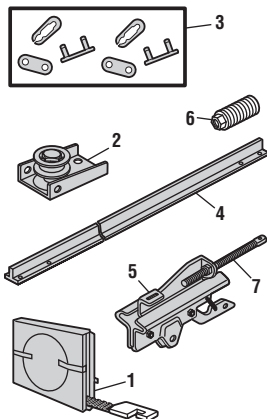


Descripción	Número de pieza
1 Piñón y cubierta del piñón con tornillos	041B5348-2
2 Panel del extremo de la tarjeta no lógica	041-0185-000
3 Lámpara con LED integrado	041-0189-000
4 Insignia	041-0196-000
5 Cubierta de la caja principal	041-0191-000
6 Puerta del panel de control	041-0192-000
7 Cubierta del panel del extremo	041-0194-000
8 Motor con módulo de desplazamiento	041-0236-000
9 Módulo de recorrido	041D8071-4
10 Panel del extremo de la tarjeta lógica	041-0183-000
11 Tarjeta lógica	050DCTB
12 Bloque del terminal	041A3150
13 Batería de respaldo	485LM
14 Cable de alimentación	041B4245
<b>No se muestra</b>	
Arnés del cable	041-0180-000
Transformador	041A7635

## Piezas de repuesto

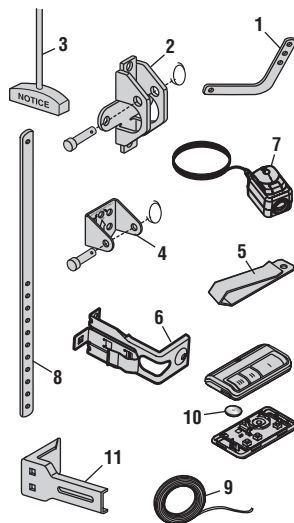
### Piezas para montar el riel modelo 84501

Descripción	Número de pieza
1 Cinta - para puerta de 7 pies Cinta - para puerta de 8 pies Cinta - para puerta de 10 pies	041A5434-11A 041A5434-13A 041A5434-14A
2 soporte de polea y cinta	041B5424
3 Conector maestro	004A1008
4 Riel de una pieza de 7 pies (2.1 m) Riel de una pieza de 8 pies (2.4 m) Riel de una pieza de 10 pies (3 m)	2777BD 2778BD 2770BD
5 El conjunto del carro incluye: Conector maestro (2), Pasador de horquilla (1), Anillo (1), Pasador de cinta (1), Eje roscado (1) y Conjunto del tensor (1)	041B3869-3A
6 Conjunto del tensor	041B4103
7 Eje roscado del carro	041A6689



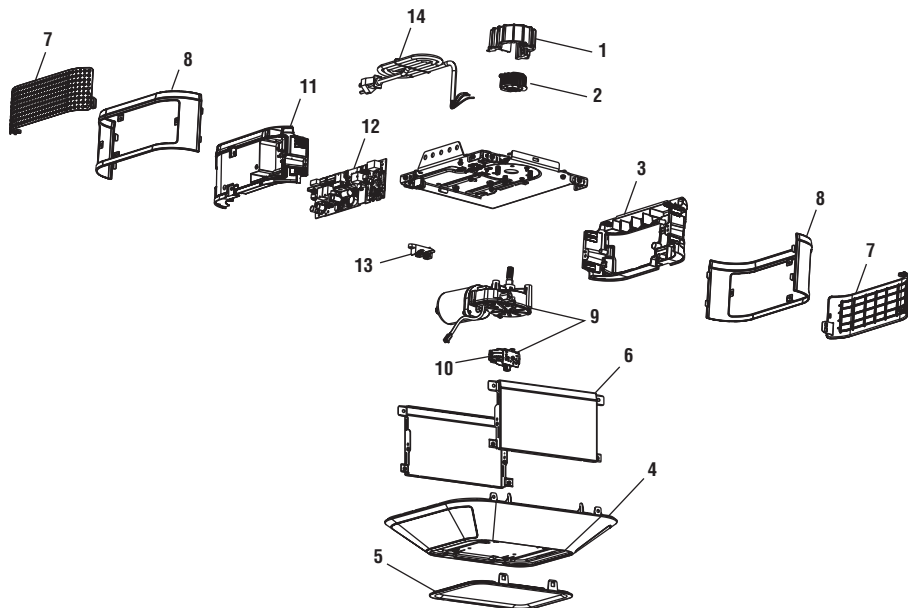
### Piezas de instalación

Descripción	Número de pieza
1 Brazo curvo de la puerta	041B0035B
2 Soporte de la puerta con pasador de horquilla y sujetador	041A5047-1
3 Soga y manija de liberación de emergencia	041A2828
4 Soporte del cabezal con pasador de horquilla y sujetador	041A4353-1
5 Presilla del visor del control remoto	K029B0137
6 Soporte del sensor de seguridad	041-0399-000
7 Kit de sensor de seguridad con sensores receptores y emisores con cable de 3 conductores de 3 pies (0.9 m)	041-0136
8 Brazo recto de la puerta	4178B0034B
9 Cable blanco y rojo/blanco	041B4494-1
10 Batería de litio CR2032 de 3 V	K010A0020
11 Soportes de extensión (opcional)	041A5281-1
<b>No se muestra</b>	
Bolso de herraje de instalación	041A2770-17
Panel de control multifunción	882LMW
Manual del propietario	114-5518-000



# Piezas de repuesto

## Piezas del abrepuertas de garaje 84501



Descripción	Número de pieza
1 Cubierta del piñón	041A4371
2 Engranaje y piñón	041C589-2
3 Panel del extremo, sin acceso a la batería	041-0184-000
4 Kit de cápsula de luz dual, sin cámara	041-0189-000
5 Insignia	041-0196-000
6 Cubierta de la caja principal	041-0191-000
7 Puerta del panel de control	041-0192-000
8 Cubierta del panel del extremo	041-0194-000
9 Motor con módulo de desplazamiento	041-0236-000
10 Módulo de recorrido	041D8071-4
11 Panel del extremo de la tarjeta lógica	041-0183-000
12 Tarjeta lógica	050DCTB
13 Bloque del terminal	041A3150
14 Cable de alimentación	041B4245
<b>No se muestra</b>	
Arnés del cable	041-0180-000
Transformador, Wi-Fi	041D0277-2
Respaldo sin batería	

### INFORMACIÓN DE CONTACTO

Visítenos en línea en:

**LiftMaster.com o myLiftMaster.com**

Antes de llamar, tenga a mano el número de modelo del abrepuertas de garaje a mano. Si llama para resolver un problema, se recomienda que tenga acceso a su abrepuertas de garaje cuando llame. Si quiere pedir una pieza de repuesto, tenga a mano la información siguiente: número de pieza, nombre de la pieza y número de modelo.

Wi-Fi® es una marca comercial registrada de Wi-Fi Alliance.  
 HomeLink® es una marca comercial registrada de Gentex Corporation.  
 © 2023, LiftMaster  
 Todos los derechos reservados