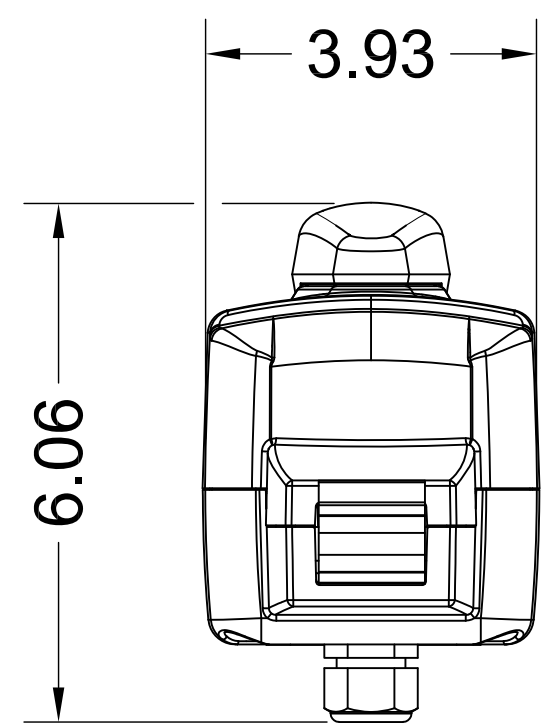
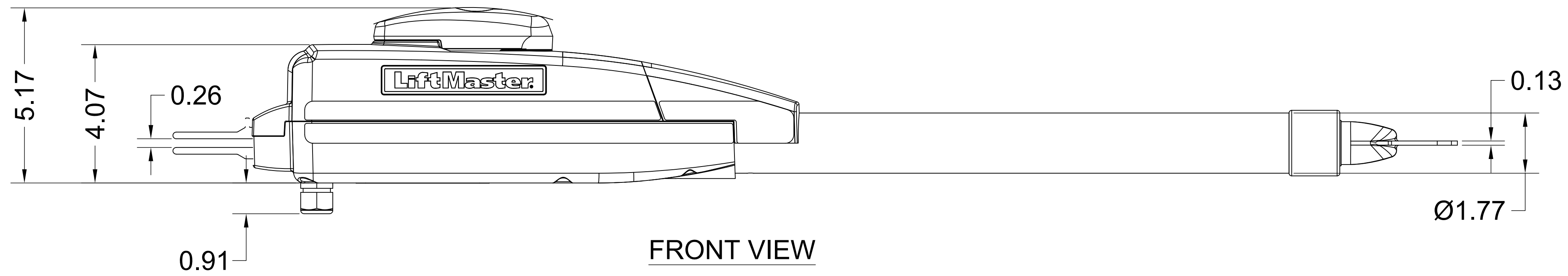


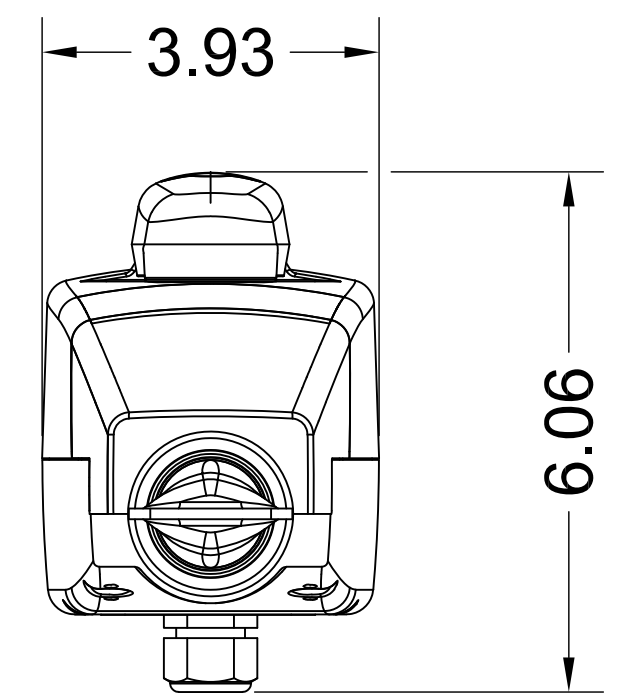
TOP VIEW



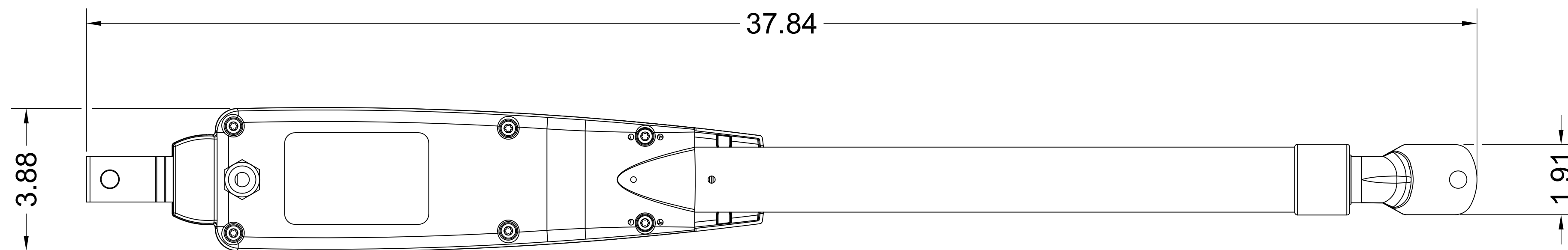
LEFT VIEW



FRONT VIEW



RIGHT VIEW



BOTTOM VIEW

(LA400U) 12VDC RESIDENTIAL  
LINEAR ACTUATOR

		300 WINDSOR DR. OAK BROOK, IL 60523 PHONE: (630) 418-6516 FAX: (630) 516-7059
DRW. BY: B. MOFFETT	REVISION:	SHEET NO:
DATE: 07/12/2019	SCALE: NTS	
TITLE: LA400U LINEAR ACTUATOR		
CAD FILE: -		
		1/1