

#### READ FIRST

The unique space-saving design of the Chamberlain Wall Mount Garage Opener makes it a smart solution for most garages, but it does require several specific garage features for safe installation and operation. Before purchasing, please check your garage for the following:

**IMPORTANT!** If you DO NOT meet all the requirements, contact a trained door systems technician.

#### POWER

- ✓ An electric outlet must be accessible within a 6-foot (1.83 m) diameter of the installation area for the opener. The outlet must be 120 VAC/60 Hz ONLY. Contact a qualified electrician if you need an outlet installed.

#### FOR RESIDENTIAL USE ONLY SECTIONAL GARAGE DOOR

- ✓ Install on Sectional Doors With Torsion Assemblies Only.
- ✓ Standard Sectional door up to 14 feet (4.3m) high
- ✓ Sectional high-lift door (up to 54 inches [137.2 cm] of high lift).
- ✓ Doors up to 18 ft. (5.5 m) wide.
- ✓ Doors up to 180 sq. ft. (16.7 sq. m).
- ✓ Any gap between the floor and the bottom of the door must not exceed 1/4 inch (6 mm). Otherwise, the safety reversal system may not work properly.

#### TORSION BAR AND TORSION SPRINGS

This product is not intended for use on low headroom tracks with outside pickup drum or garage doors utilizing extension springs.

- ✓ Torsion bar is 1 inch (2.5 cm) in diameter.
- ✓ Torsion bar must extend at least 1-1/2 inches (3.81 cm) past the bearing plate and be free of damage.
- ✓ Distance between ceiling and center of torsion bar is 3 inches (7.6 cm) or more.
- ✓ Distance between garage wall that the torsion bar is mounted on and center of torsion bar is 2-1/2 inches (6.4 cm) or more.
- ✓ A minimum of 8.5 inches (21.6 cm) between the side garage wall (or obstruction) and the end of the torsion bar.

#### DRUMS AND PREVIOUS OPENER

NOT compatible with reverse wound drums.

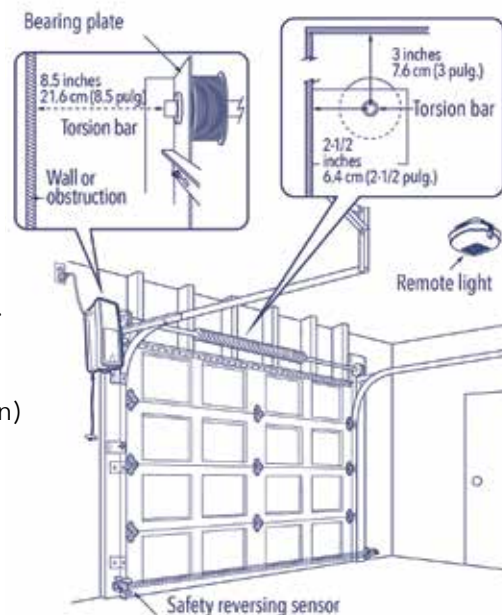
- ✓ Drums have a diameter of 4-6 inches (10-15 cm).
- ✓ 3- to 3.9-inch (7.6 cm to 9.9 cm) drums may be used on doors up to 430 lbs. (195.4 kg).
- ✓ Previously installed garage door opener has been removed completely.

**ALL the requirements above MUST be met. If your door does not meet these criteria, you must install a different model of opener. If your torsion bar, power source and/or drums do not meet the requirements, contact a trained door systems technician.**

RJO70



RJO20



### GLOSSARY

Term	Definition
<b>Bearing Plate</b>	Acts as a support for the torsion bar. The bearing plate is typically located above the garage door.
<b>Cable Tension Monitor</b>	The cable tension monitor detects any slack in the garage door cables. Failure to properly install the cable tension monitor may cause the cables to be thrown and may result in a hazardous situation.
<b>Door Seal</b>	The door seal is located at the bottom of the door and helps to keep outdoor elements from entering the garage.
<b>Drum</b>	Drums are round, grooved spools on the torsion bar that keep door cables orderly.
<b>Extension Springs</b>	Extension springs are NOT compatible with this opener. Extension springs are typically mounted along the horizontal section of the track and extend from the front of the door opening to the back hang. The springs are intended to make a door lighter so you can easily open and close the door by hand.
<b>High-Lift Sectional Door</b>	A type of garage door constructed with multiple panels that slide along a track inside the garage. The track runs vertically up the wall beyond the top of the door opening several inches before encountering the curve in the track. The extended distance above the top of the garage door determines the amount of a high lift.
<b>Protector System®</b>	The Protector System is composed of a set of sensors and transmitters that act as a safety measure to prevent personal injury or property damage caused by a closing garage door. See also: Safety Reversing Sensor.
<b>Roller</b>	Small wheels that allow the door to move up and down the track.
<b>Safety Reversing Sensor</b>	The safety reversing sensors are a set of sensor eyes that detect obstructions in the path of the garage door. If an obstruction is found, the sensors tell the door to reverse direction.
<b>Torsion Springs</b>	A torsion spring is a type of spring that counterbalances the garage door. The torsion spring is located above the door on the torsion bar. The springs are intended to make a door lighter so you can easily open and close the door by hand. Consult a trained door systems technician if you need the springs adjusted or replaced.
<b>Torsion Bar</b>	A torsion bar is a horizontal metal bar mounted above the garage door. The torsion springs are located on the torsion bar. Most torsion bars are hollow, but some are solid. Some solid torsion bars may have a groove called a keyway that runs the length of the bar.

### TOOLS REQUIRED

