


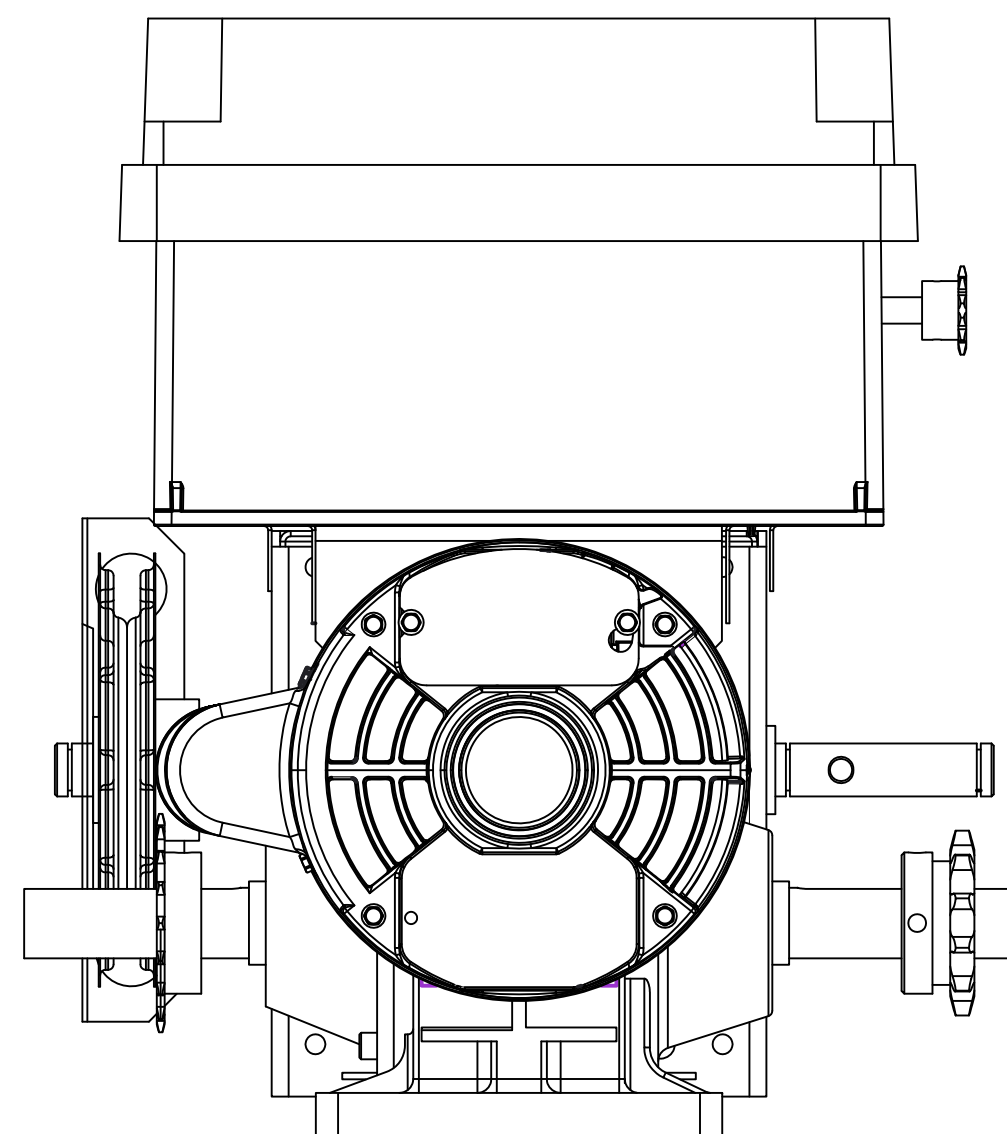
NEMA 4 (GH) OPERATOR

OPERATOR DIMENSION TABLE

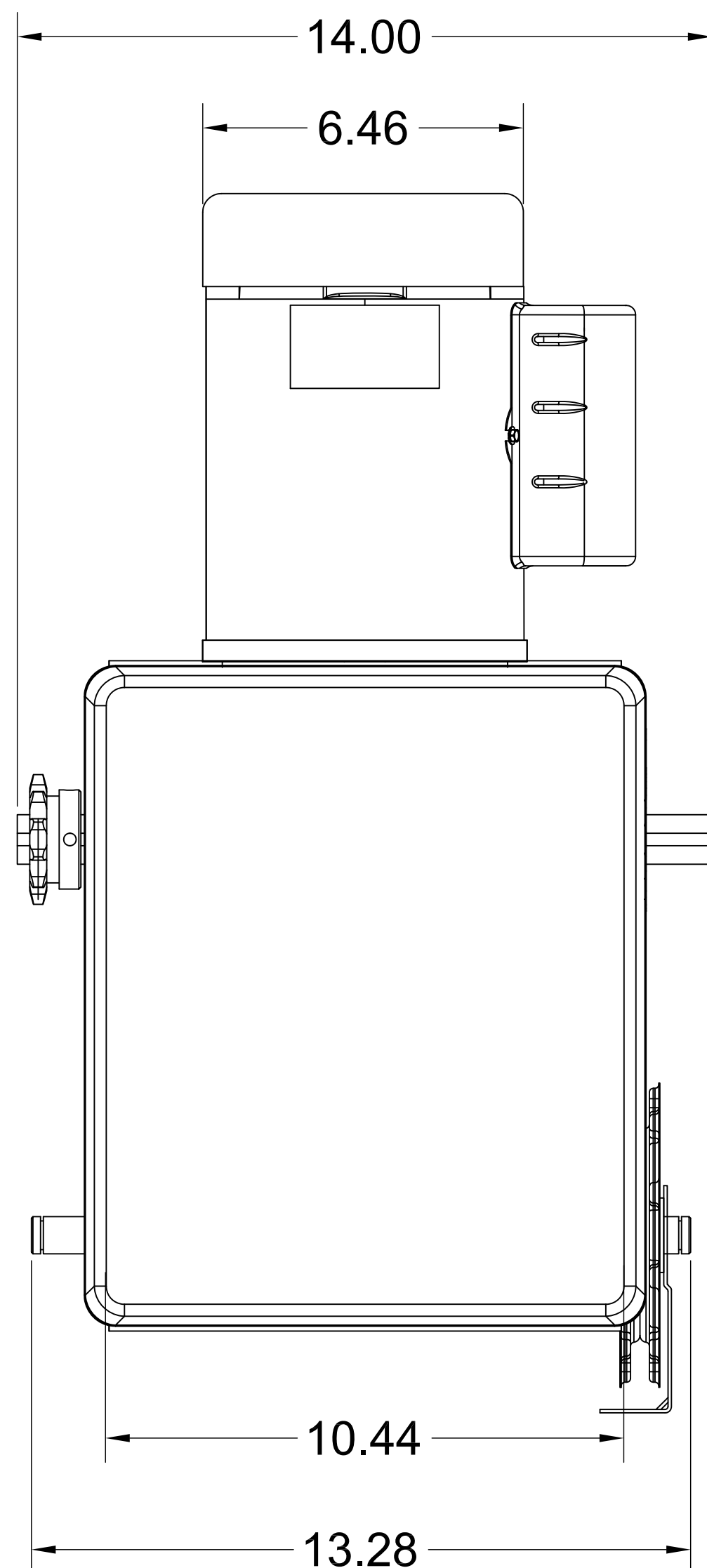
HP	PHASE	DIMENSIONS			
		A	B	C	D
1/2	1	10-3/8"	23-1/16"	15-13/16"	3"
3/4	1	10-7/8"	23-9/16"	15-13/16"	3"
1	1	12-3/8"	25-1/16"	15-13/16"	3"
-	-	-	-	-	-
1/2	3	10-3/8"	23-1/16"	15-13/16"	3"
3/4	3	10-7/8"	23-9/16"	15-13/16"	3"
1	3	12-3/8"	25-1/16"	15-13/16"	3"
-	-	-	-	-	-
-	-	-	-	-	-
-	-	-	-	-	-

NOTE: DIMENSIONS A, B & C MAY VARY PER MOTOR MANUFACTURER SPECIFICATION REVISIONS AND SPECIAL MODIFICATIONS TO THE OPERATOR.

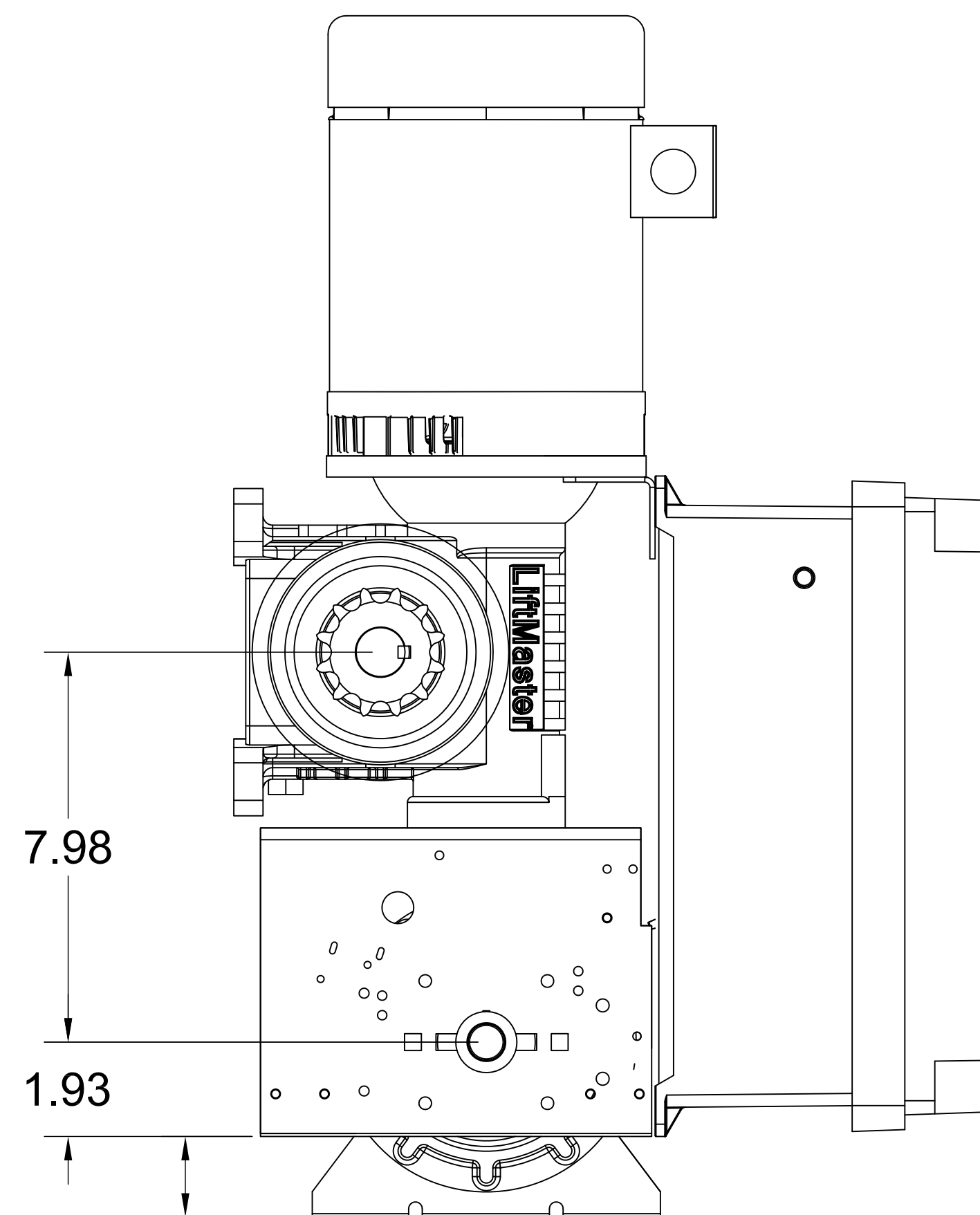
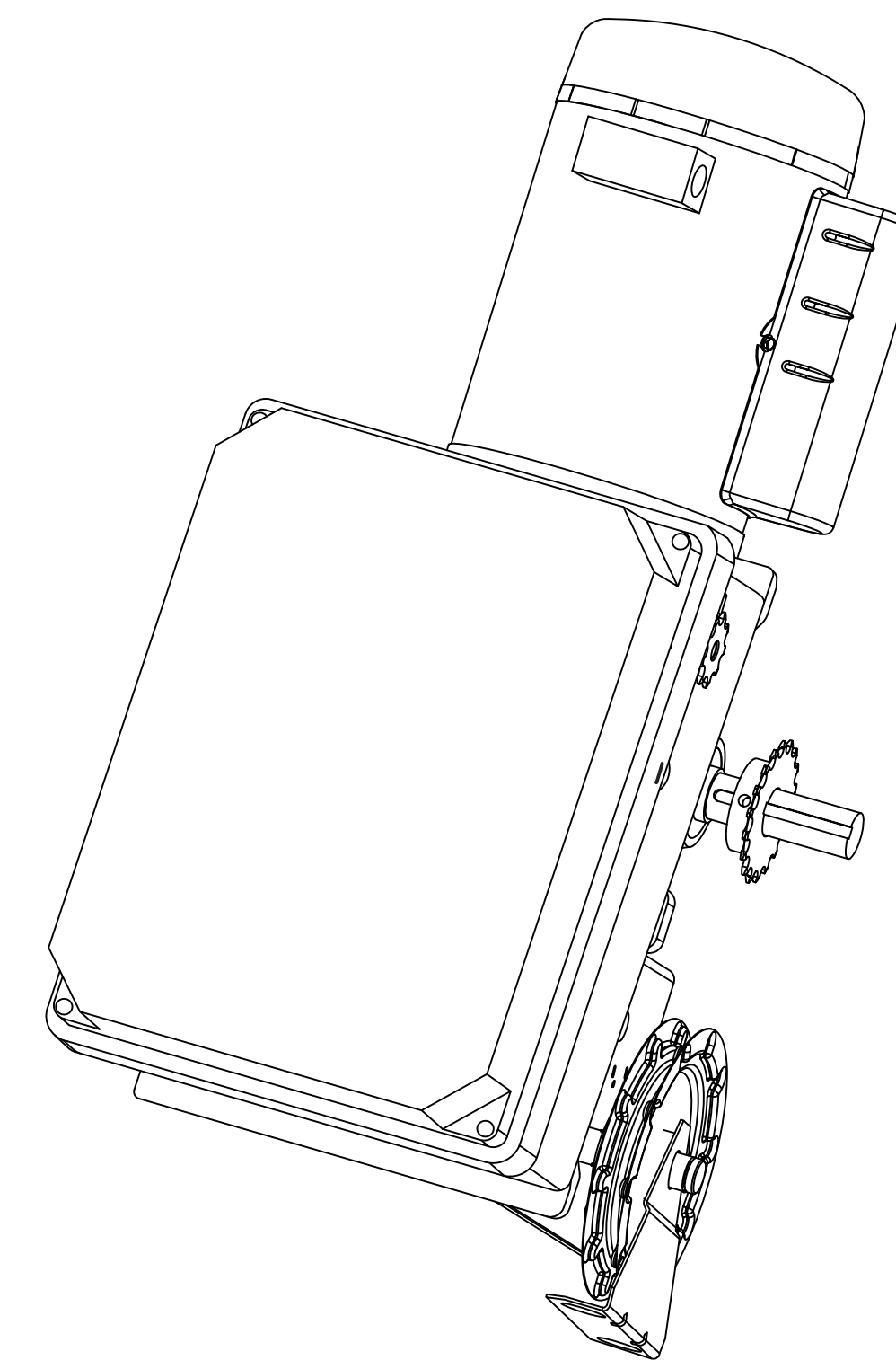
		300 WINDSOR DR. OAK BROOK, IL 60523 PHONE: (630) 418-6516 FAX: (630) 516-7059
LIFTMASTER (CHAMBERLAIN GROUP, INC.) ENGINEERED SERVICES		
DRW. BY: B. MOFFETT	REVISION:	SHEET NO: <b>1/2</b>
DATE: 11/9/2018	SCALE: NTS	
TITLE: LIFTMASTER (NEMA 4 GH) OPERATOR		
CAD FILE: -		



TOP



FRONT



LEFT

PRELIMINARY  
THIS PRINT IS SUBJECT TO CHANGE  
WITH OUT REVISION

**LiftMaster**<sup>®</sup>  
LIFTMASTER (CHAMBERLAIN GROUP, INC.)  
ENGINEERED SERVICES

300 WINDSOR DR.  
OAK BROOK, IL 60523  
PHONE: (630) 418-6516  
FAX: (630) 516-7059

DRW. BY: B. MOFFETT	REVISION:
DATE: 09/11/2018	SCALE: NTS
TITLE: LIFTMASTER (NEMA 4 GH) OPERATOR	
CAD FILE: GH_ARCHSS	

SHEET NO:  
**2/2**