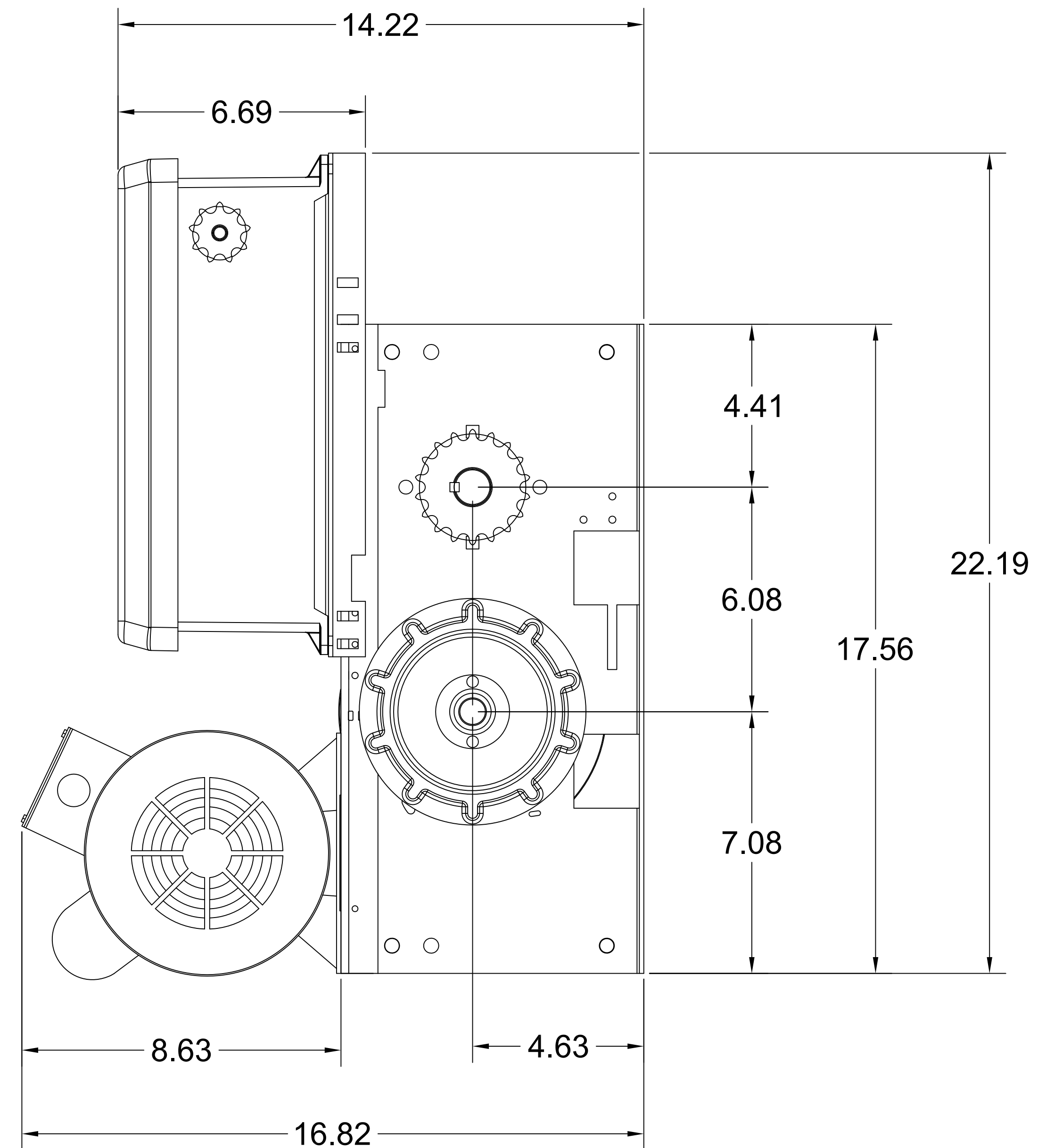


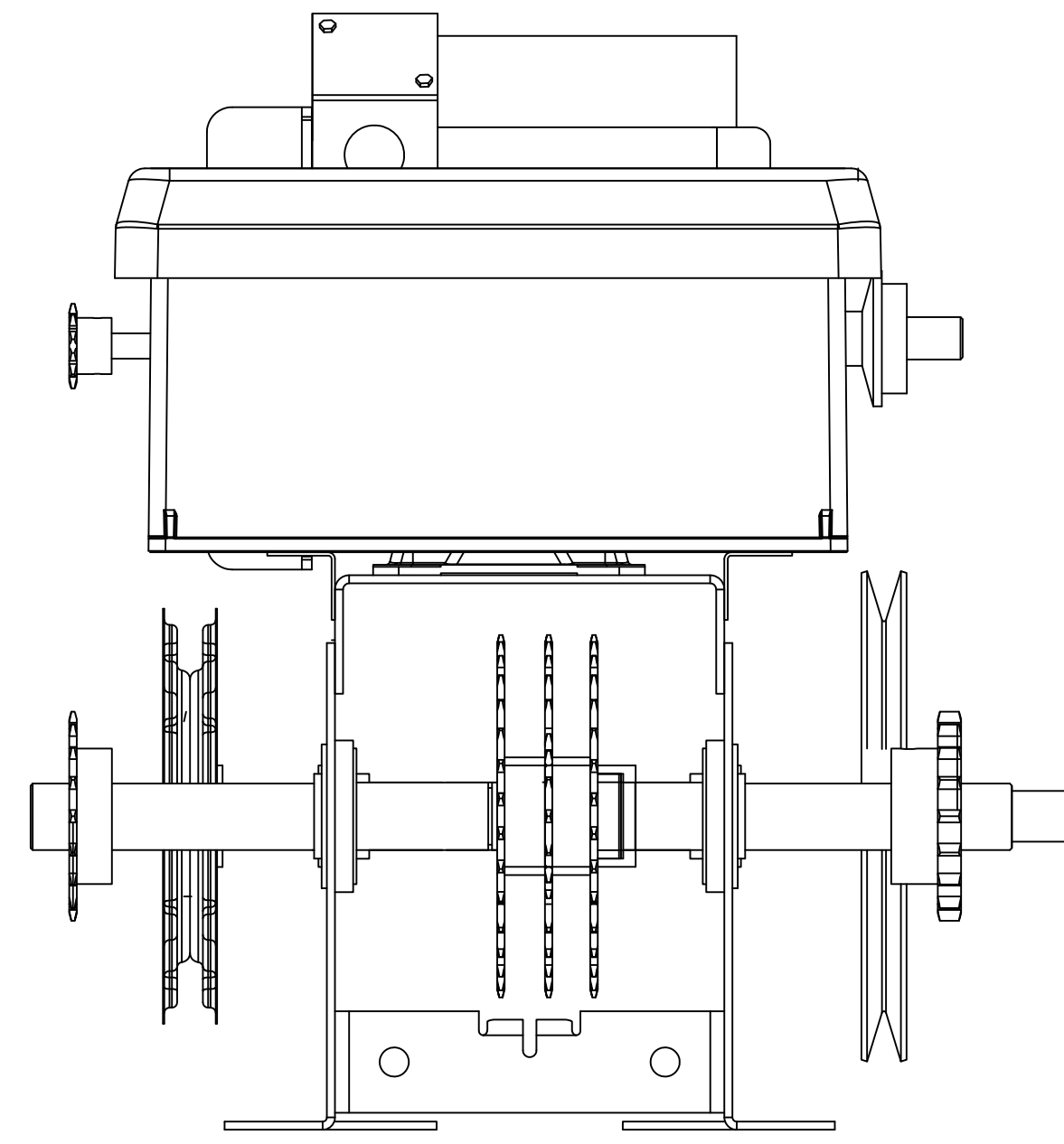
FRONT



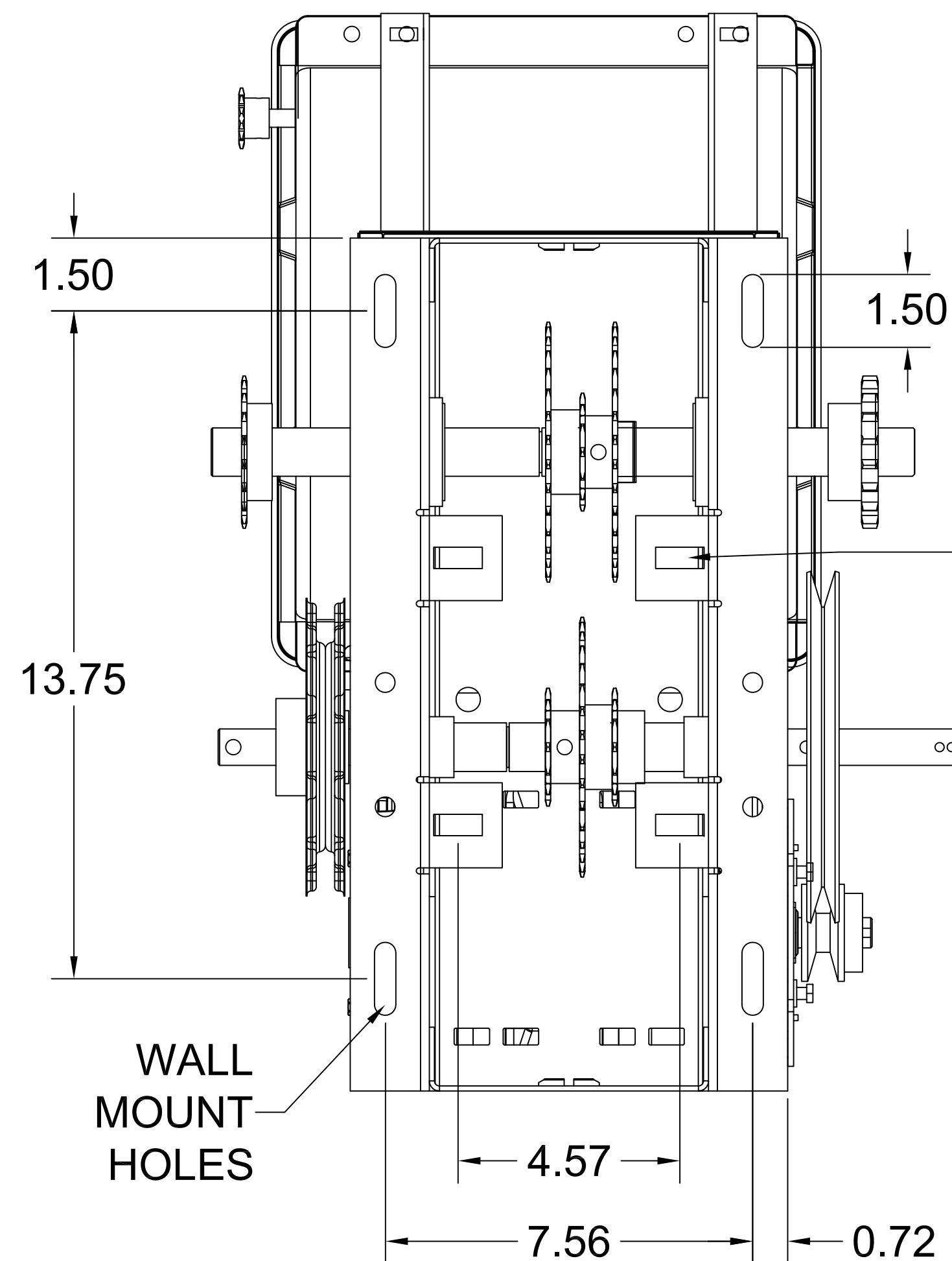
RIGHT

(CH501L5R)
 1/2 HP, SINGLE PHASE, LOGIC 5 OPERATOR

		300 WINDSOR DR. OAK BROOK, IL 60523 PHONE: (630) 418-6516 FAX: (630) 516-7059	
		LIFTMASTER (CHAMBERLAIN GROUP, INC.) ENGINEERED SERVICES	
DRW. BY: B. MOFFETT	REVISION:	SHEET NO: 1/2	
DATE: 3/25/2019	SCALE: NTS		
TITLE: LIFTMASTER (CH) OPERATOR UNIT			
CAD FILE: CH501L5R			



TOP

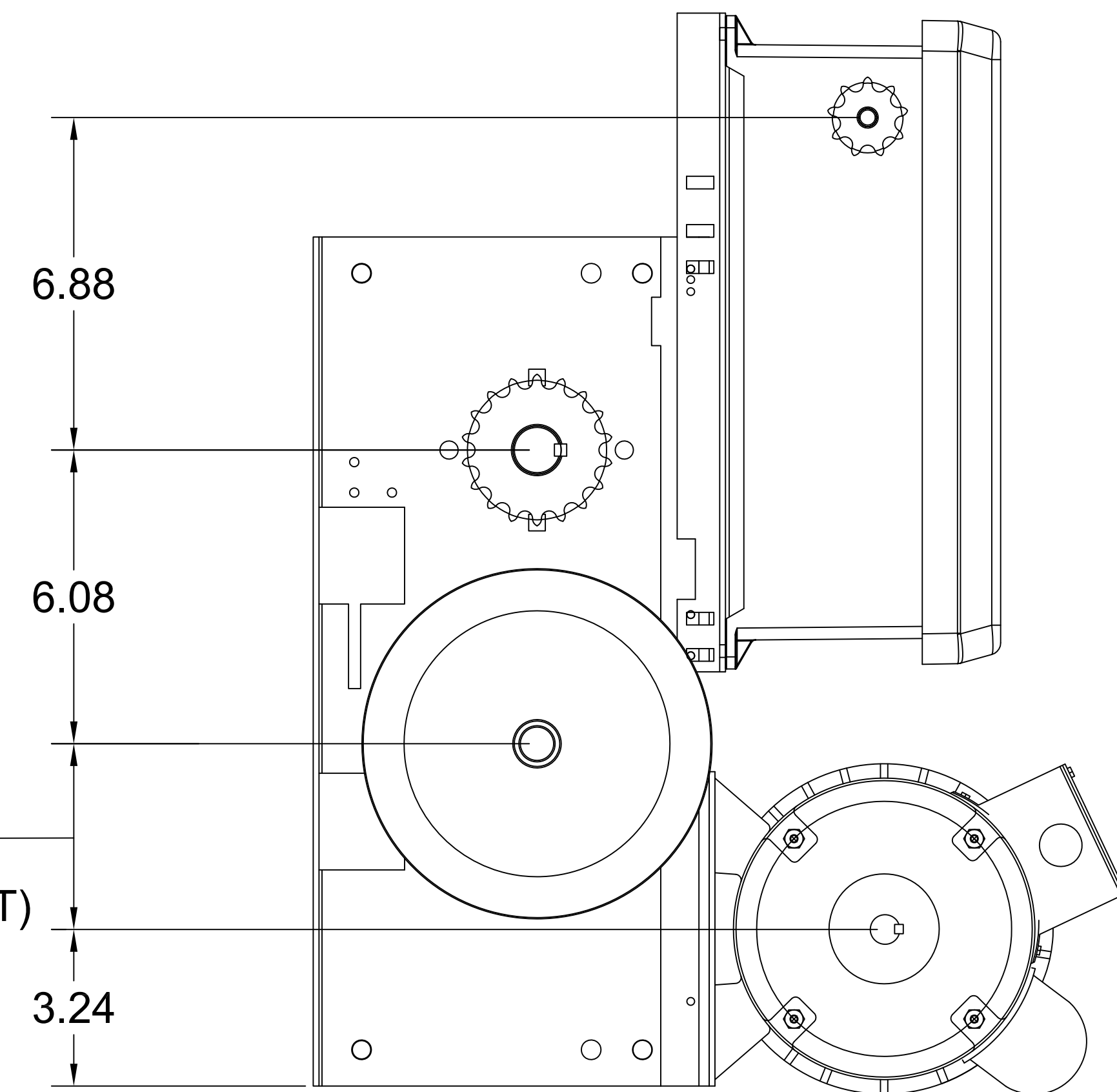


BACK

BRACKET
MOUNT HOLES
(ROLLING DOOR)
(4 PLCS.)

WALL
MOUNT
HOLES

3.84
(VARIES
PER BELT
ADJUSTMENT)



LEFT

(CH501L5R)
1/2 HP, SINGLE PHASE, LOGIC 5 OPERATOR

		300 WINDSOR DR. OAK BROOK, IL 60523 PHONE: (630) 418-6516 FAX: (630) 516-7059
		LIFTMASTER (CHAMBERLAIN GROUP, INC.) ENGINEERED SERVICES
DRW. BY: B. MOFFETT DATE: 3/25/2019	REVISION: SCALE: NTS	SHEET NO: 2/2
TITLE: LIFTMASTER (CH) OPERATOR UNIT CAD FILE: CH501L5R		